



US00D515875S

(12) **United States Design Patent**
Thiele

(10) **Patent No.:** **US D515,875 S**

(45) **Date of Patent:** **** Feb. 28, 2006**

(54) **COMBINED COOLING AND CONTAINMENT
DEVICE WITH AUTOMOBILE OR RACE
CAR APPEARANCE**

D370,833 S * 6/1996 Vance D7/606
D434,949 S * 12/2000 Steinfels D7/606

* cited by examiner

(76) **Inventor:** **David Thiele**, 15530 Bothell Way NE,
Lake Forest Park, WA (US) 98155

Primary Examiner—Terry A. Wallace

(74) *Attorney, Agent, or Firm*—John P. Luther; Jenkins &
Gilchrist

(**) **Term:** **14 Years**

(57) **CLAIM**

(21) **Appl. No.:** **29/219,676**

The ornamental design for a combined cooling and contain-
ment device with automobile or race car appearance, as
shown and described.

(22) **Filed:** **Dec. 21, 2004**

(51) **LOC (8) Cl.** **07-01**

(52) **U.S. Cl.** **D7/606**

(58) **Field of Classification Search** D7/603–608,
D7/628; D9/672, 676; D21/533, 548, 549;
62/457.1–457.9, 371, 372; 220/915.1, 915.2,
220/592.2, 592.23–592.25

See application file for complete search history.

DESCRIPTION

FIG. 1 is a view in perspective of a combined cooling and
containment device with automobile or race car appearance,
showing a new design;

FIG. 2 is a left side elevational view thereof;

FIG. 3 is a rear elevational view thereof;

FIG. 4 is a front elevational view thereof;

FIG. 5 is a top plan view thereof; and,

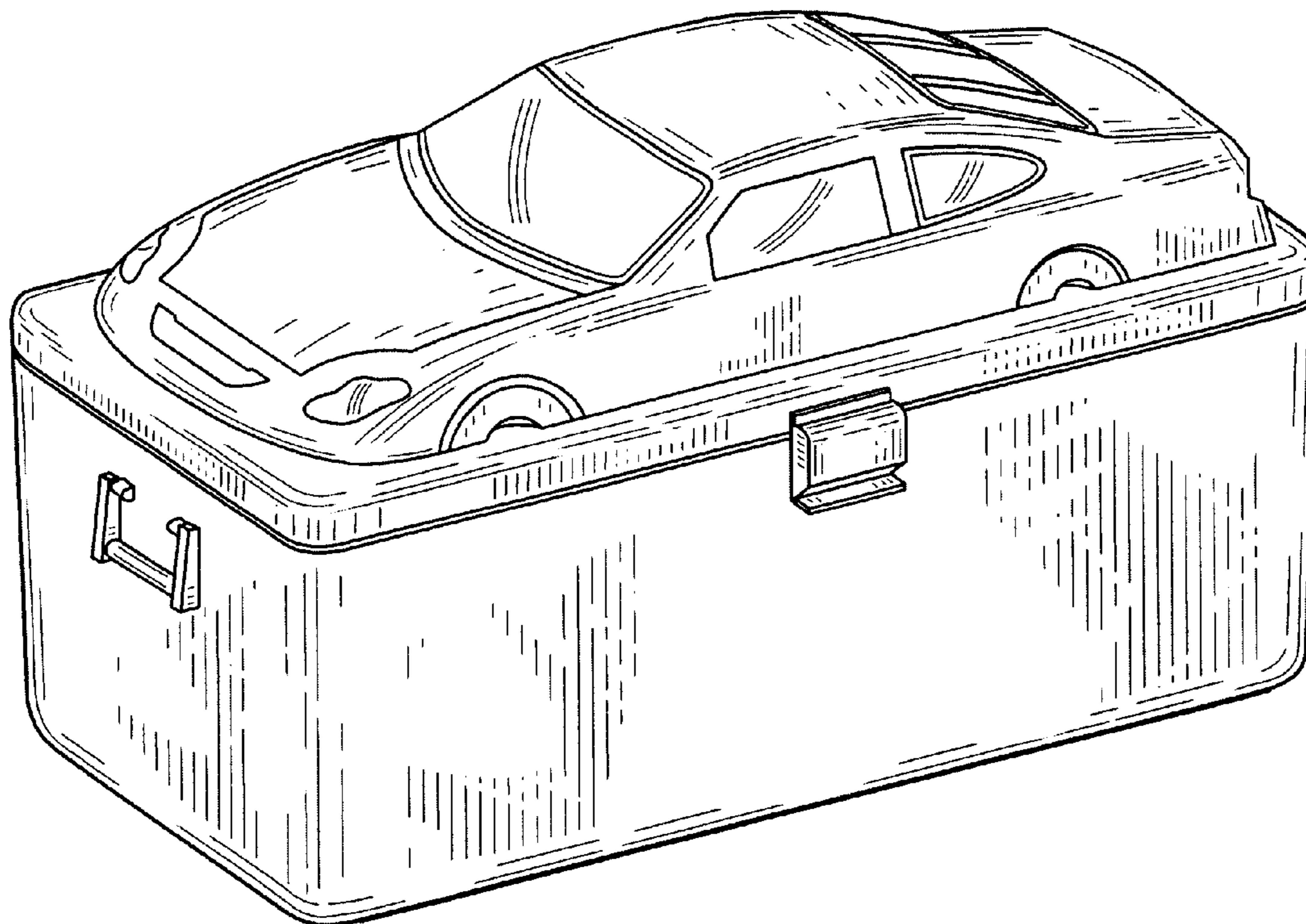
FIG. 6 is a right side elevational view thereof.

(56) **References Cited**

U.S. PATENT DOCUMENTS

D347,970 S * 6/1994 Wright D7/606

1 Claim, 3 Drawing Sheets



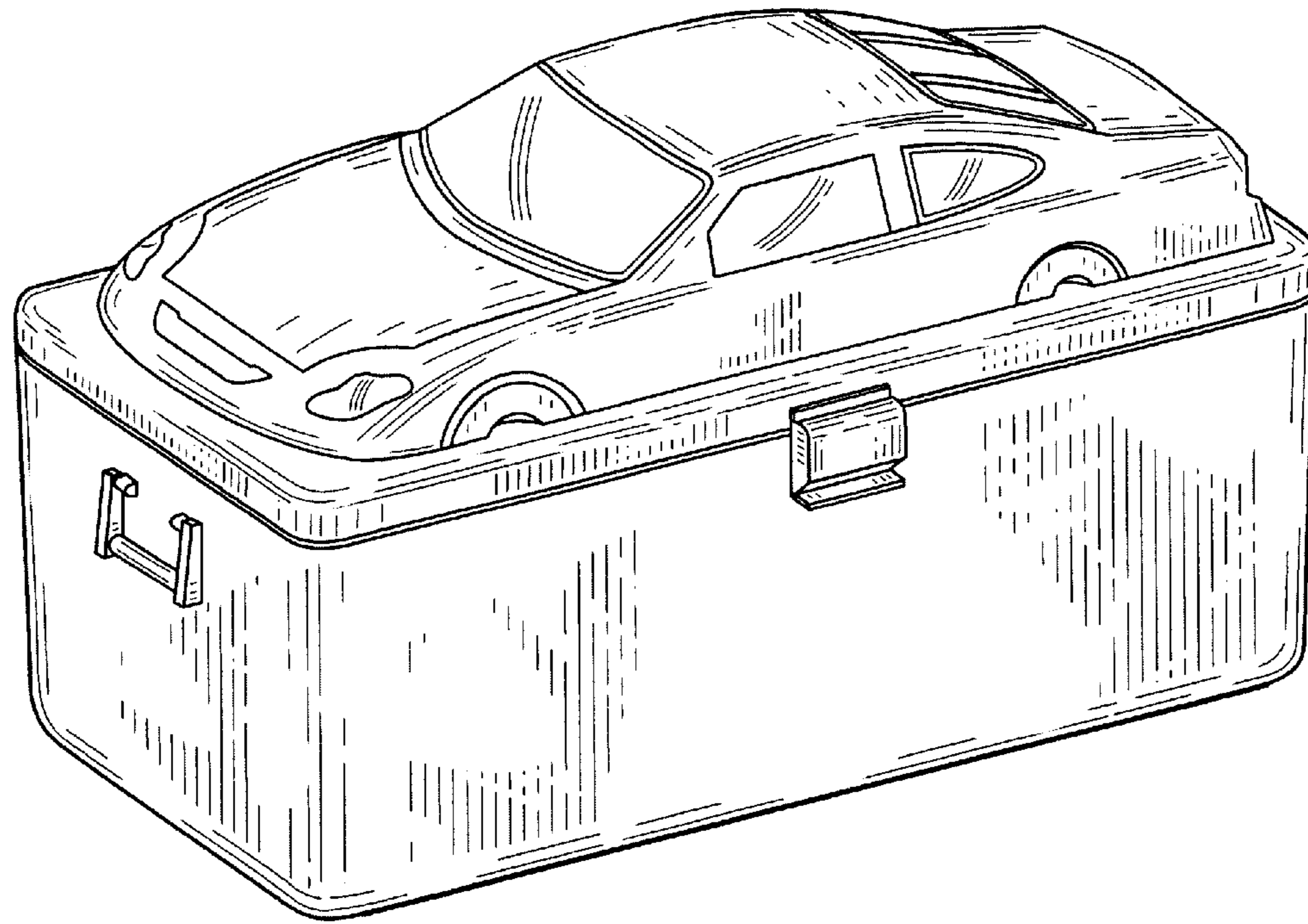


FIG. 1

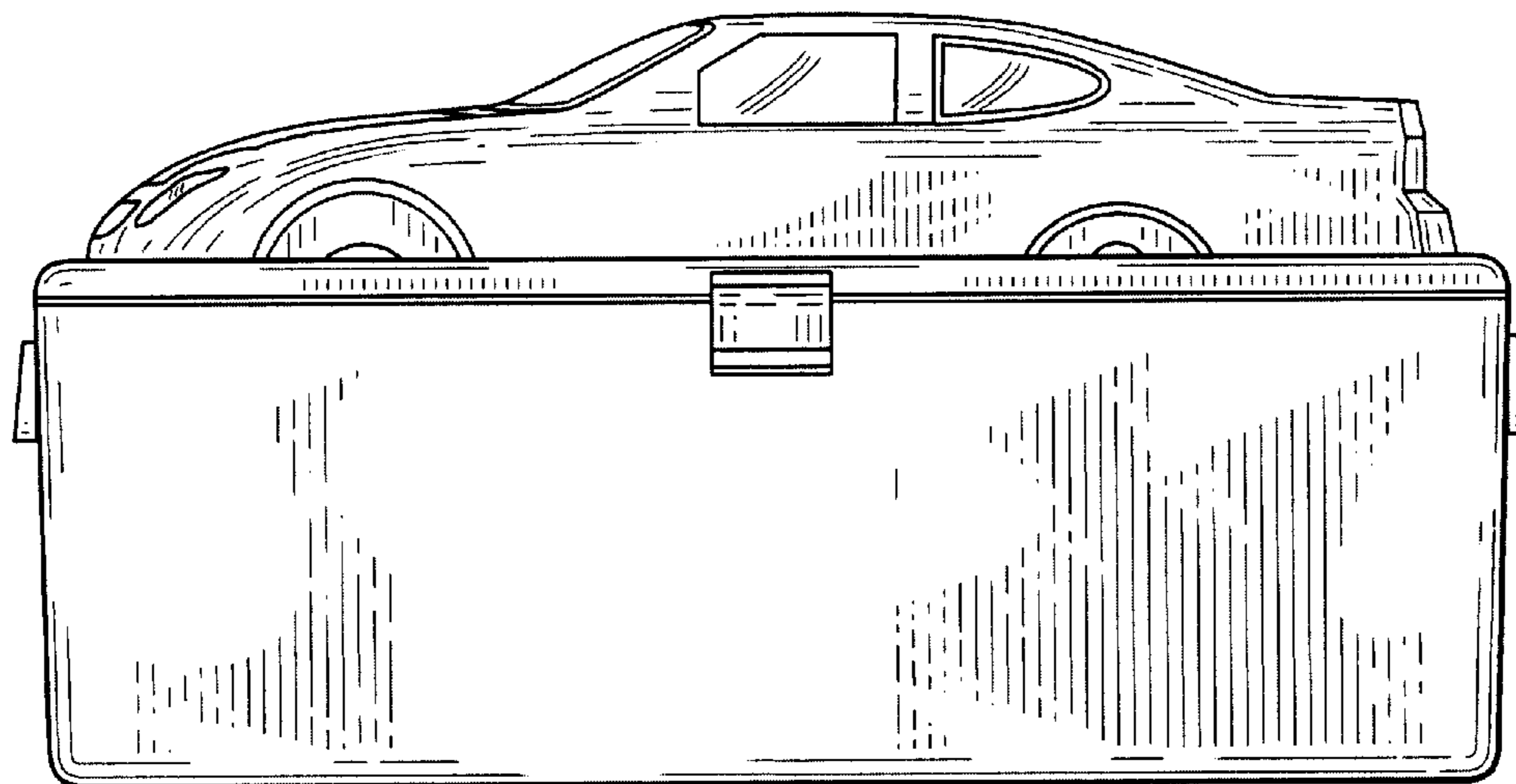


FIG. 2

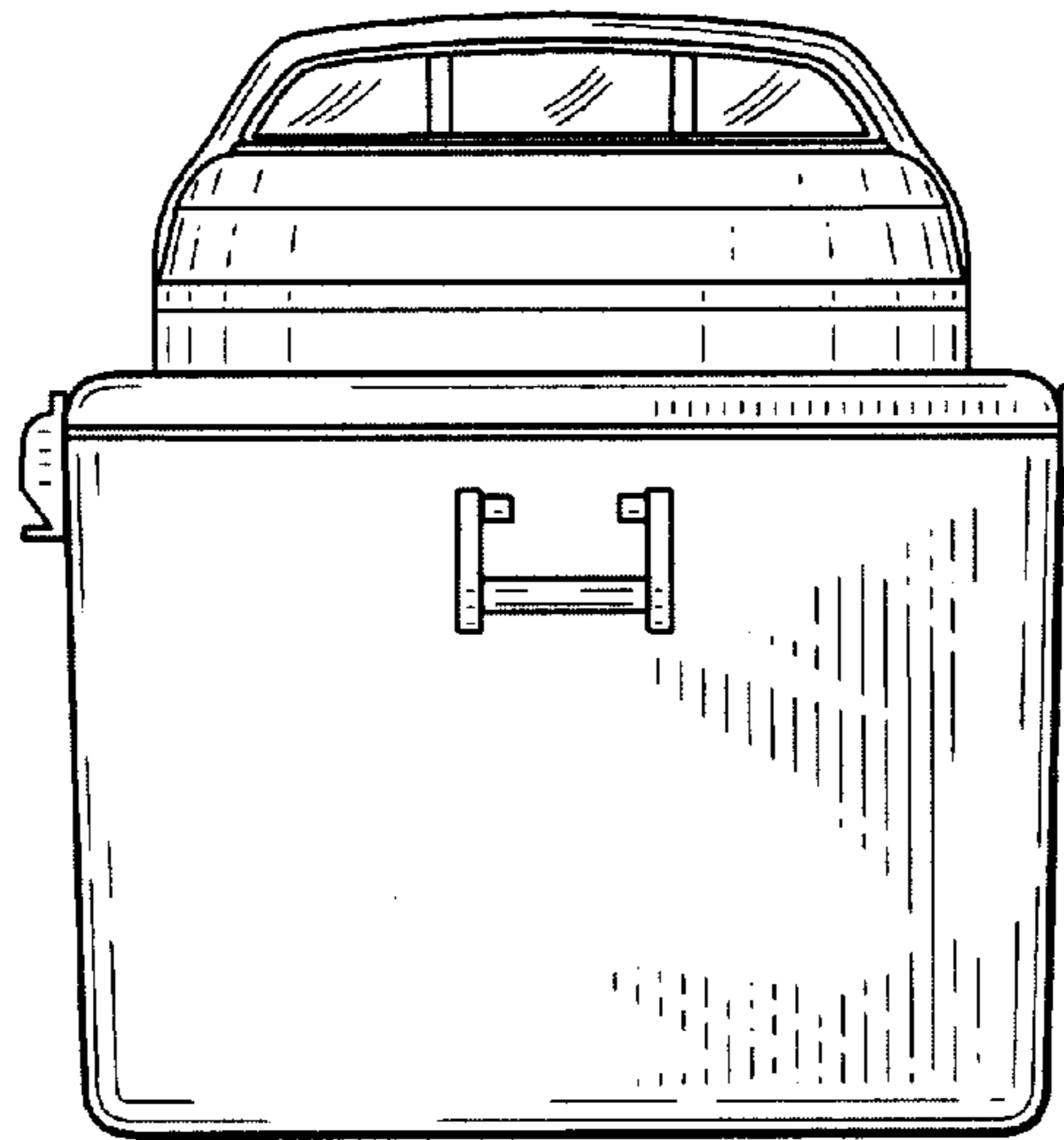


FIG. 3

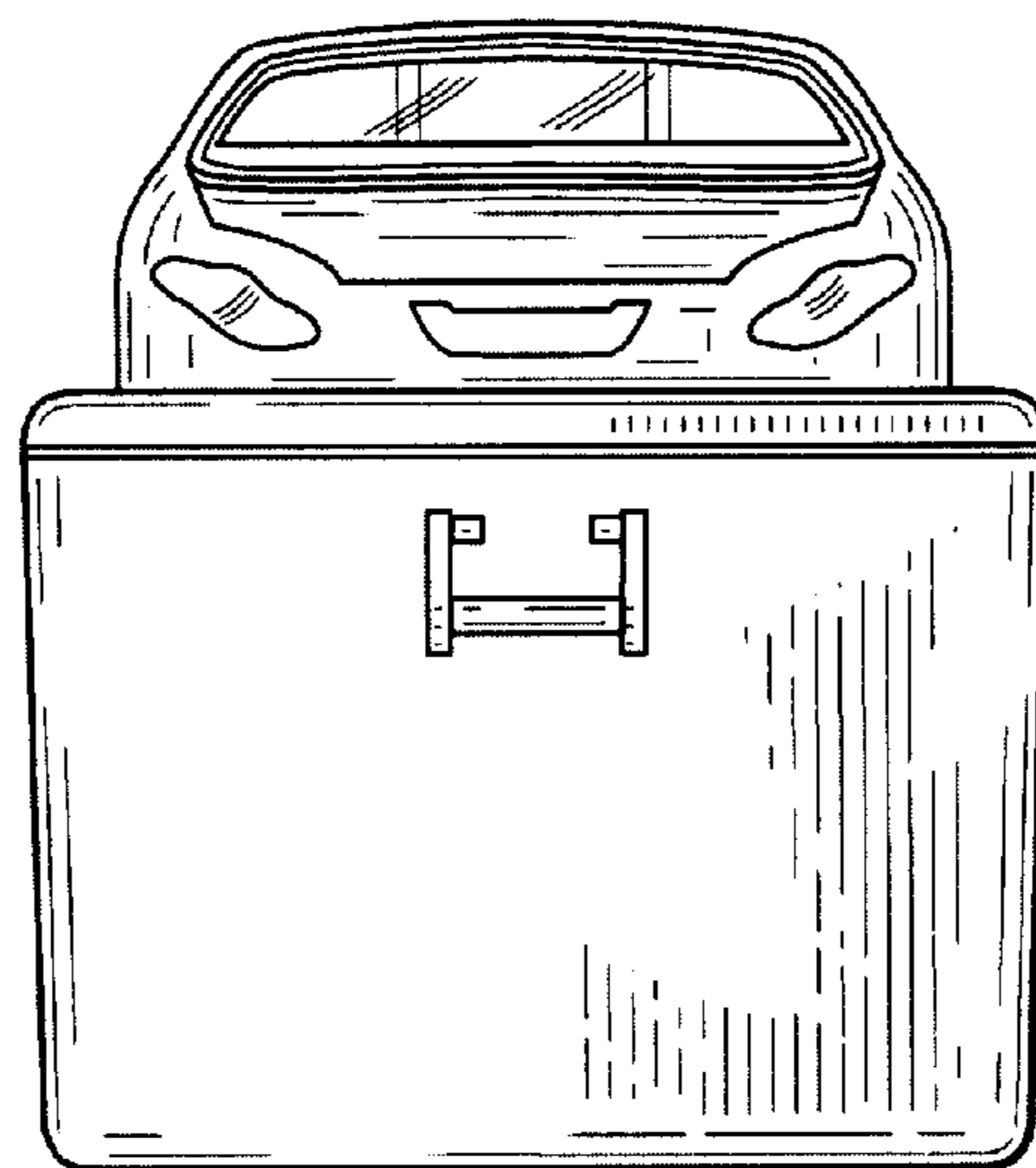


FIG. 4

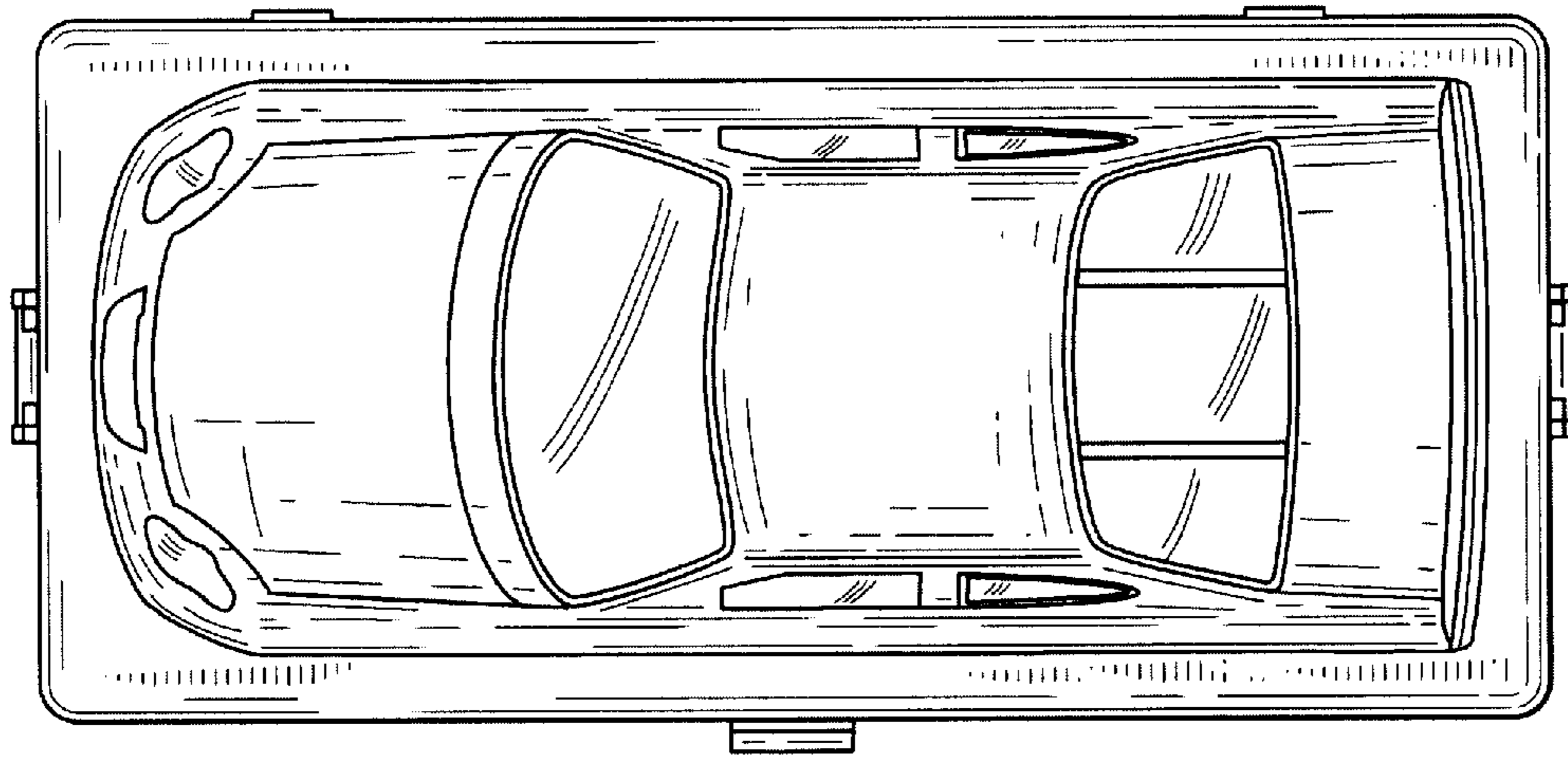


FIG. 5

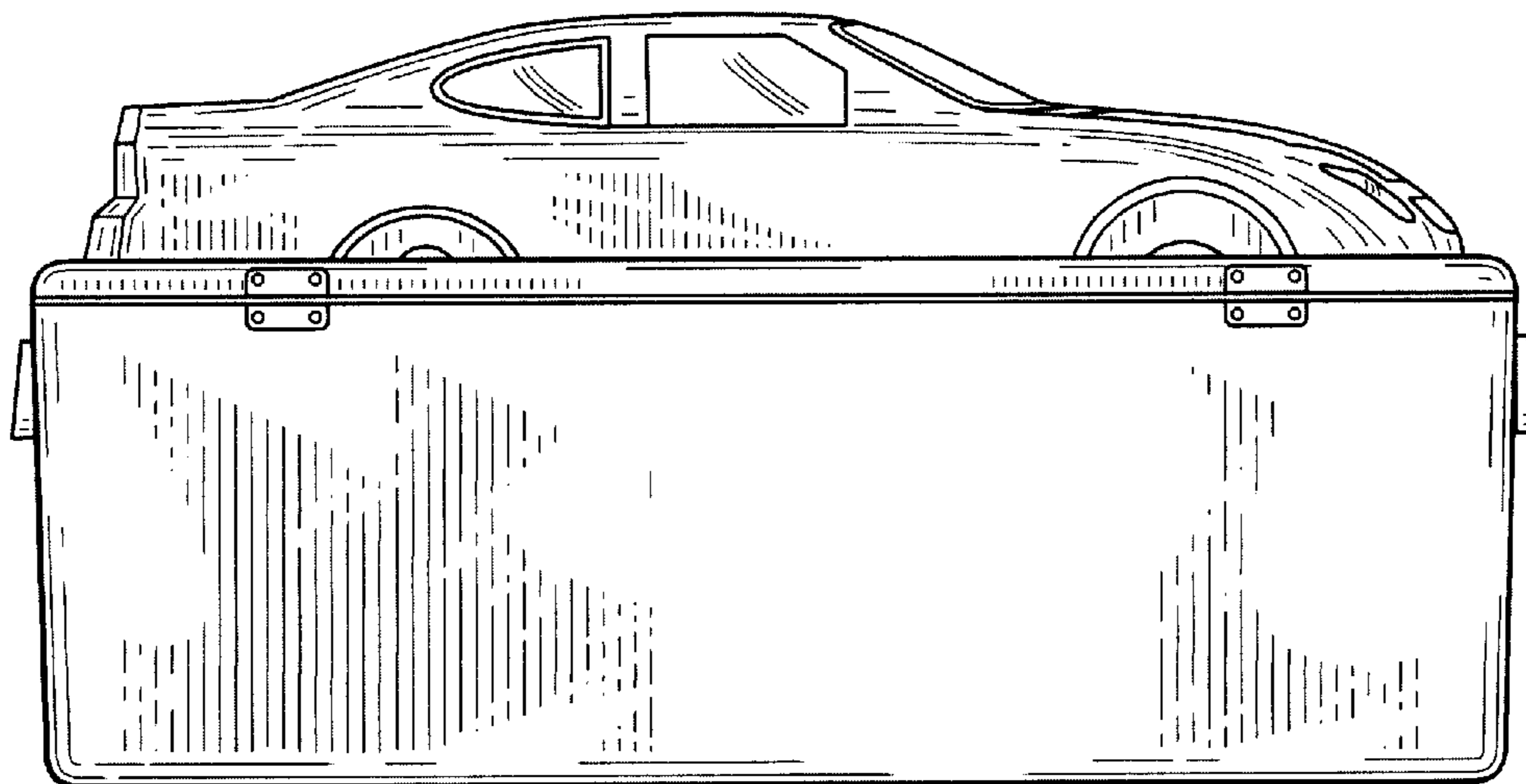


FIG. 6