



US00D515870S

(12) **United States Design Patent**
Akopyan

(10) **Patent No.: US D515,870 S**

(45) **Date of Patent: ** Feb. 28, 2006**

(54) **COMBINED TRIPLE GOBLET**

(76) **Inventor: Arshak Akopyan**, 1215 E. Colorado St., Suite 202 B, Glendale, CA (US) 91205

(**) **Term: 14 Years**

(21) **Appl. No.: 29/206,126**

(22) **Filed: May 27, 2004**

(51) **LOC (8) Cl. 07-01**

(52) **U.S. Cl. D7/513; D7/524; D7/537**

(58) **Field of Classification Search** D7/558, D7/524, 522, 537, 513, 509, 507, 396.6, 706, D7/503, 555, 557; D32/53; 206/518, 515; 220/735, 505, 536, 4.23, 526, 555, 902, 719, 220/529, 23.8, 23.86, 23.89, 23.83; 215/382, 215/374, 386, 6; 312/351

See application file for complete search history.

D217,878 S	*	6/1970	Alvarez	D7/524
D221,015 S	*	6/1971	Northrup	D7/524
3,684,123 A		8/1972	Bridges	220/9 R
D250,162 S	*	11/1978	Eneroth	D7/537
D258,796 S		4/1981	Paulides	D7/10
4,703,849 A		11/1987	Veziarian et al.	206/217
4,955,503 A		9/1990	Propes	220/526
D317,101 S	*	5/1991	Wenzl	D7/537
D336,594 S	*	6/1993	Trush	D7/537
5,242,071 A	*	9/1993	Goebel	220/4.23
D355,735 S	*	2/1995	Shaffer et al.	D32/53
D370,155 S	*	5/1996	Harrison et al.	D7/524
D380,122 S	*	6/1997	Wong	D7/513
D395,379 S	*	6/1998	Goodman	D7/513
D395,790 S	*	7/1998	Gaines	D7/510
D405,645 S	*	2/1999	Frisch	D7/524
D411,940 S	*	7/1999	Horvat	D7/507
D436,803 S	*	1/2001	Addison	D7/513
D476,526 S	*	7/2003	Kerman	D7/396.6

* cited by examiner

Primary Examiner—M. N. Pandozzi

(56) **References Cited**

U.S. PATENT DOCUMENTS

D23,495 S	*	7/1894	Steimer	D7/524
1,276,018 A	*	8/1918	Blaetus	220/735
D53,935 S		10/1919	Reaper	D7/557
D55,319 S		5/1920	Reaper	D7/555
D73,519 S	*	9/1927	Haley	D7/558
1,760,761 A	*	5/1930	March	312/351
D101,290 S	*	9/1936	Schneider	D7/513
D104,731 S	*	6/1937	Spence	D7/555
2,428,056 A	*	9/1947	Wachsman	220/719
D161,115 S	*	12/1950	Meier	D7/524
D168,409 S	*	12/1952	Kell	D7/624
D171,671 S	*	3/1954	Uhrmann	D7/524
D173,452 S	*	11/1954	Nordin	D7/503
2,747,387 A		5/1956	Sweem	65/13
D186,535 S		11/1959	Saffer	D44/9

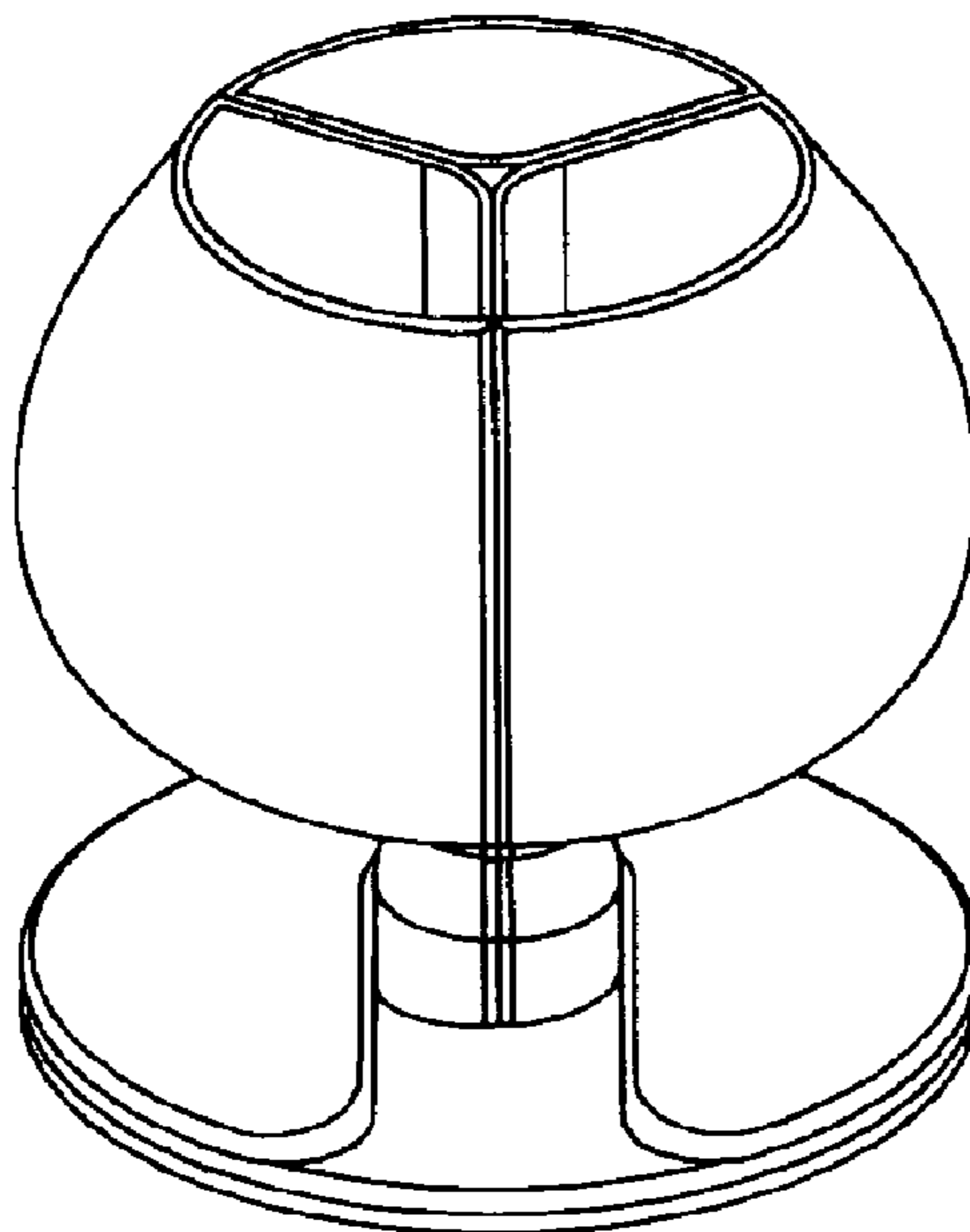
(57) **CLAIM**

The ornamental design for a combined triple goblet, as shown and described.

DESCRIPTION

FIG. 1 is a perspective view of a combined triple goblet showing my new design;
FIG. 2 is an exploded perspective view thereof;
FIG. 3 is an exploded perspective view thereof;
FIG. 4 is a bottom plan view thereof;
FIG. 5 is a top plan view thereof;
FIG. 6 is an exploded bottom plan view thereof; and,
FIG. 7 is an exploded top plan view thereof.

1 Claim, 3 Drawing Sheets



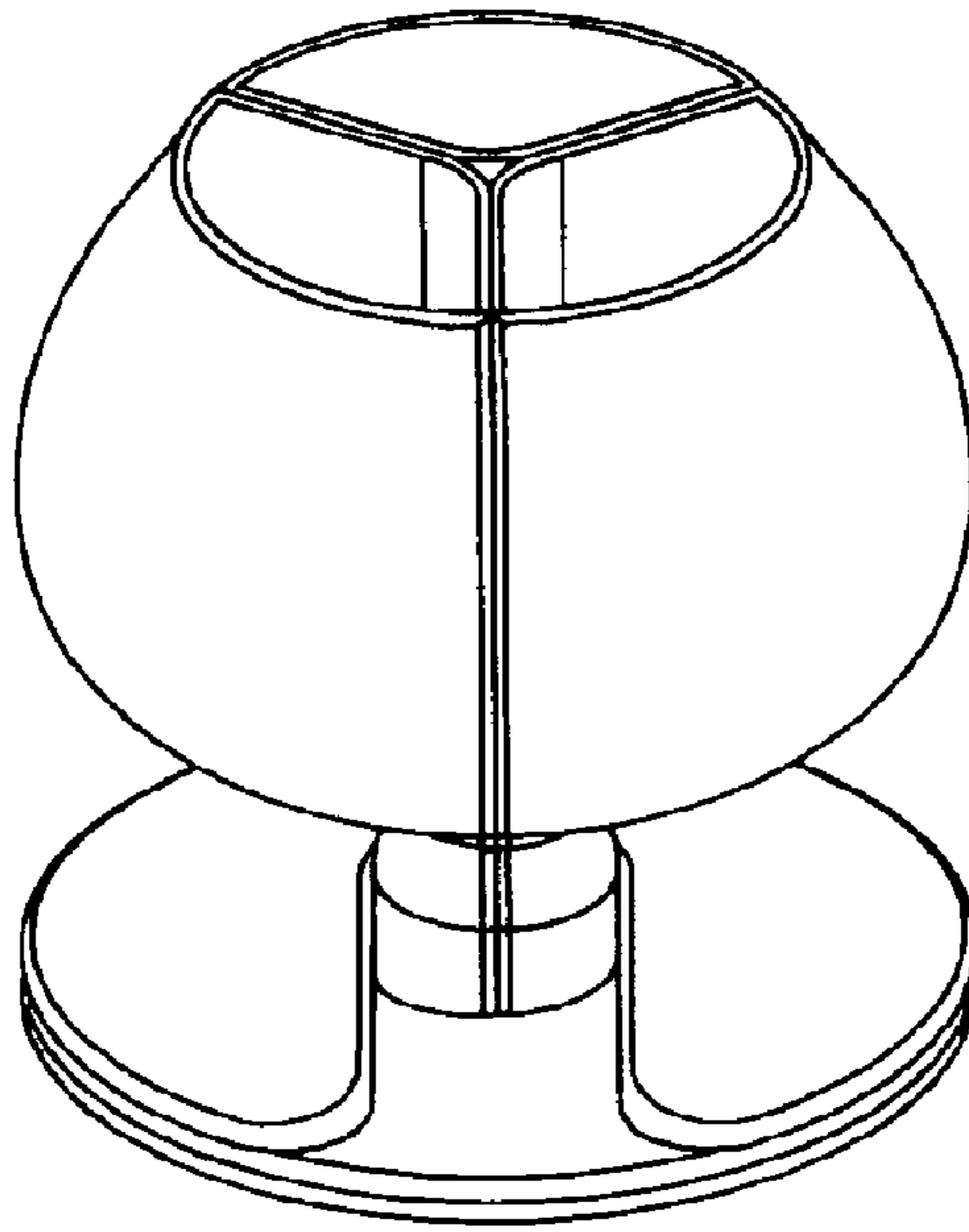


Fig 1

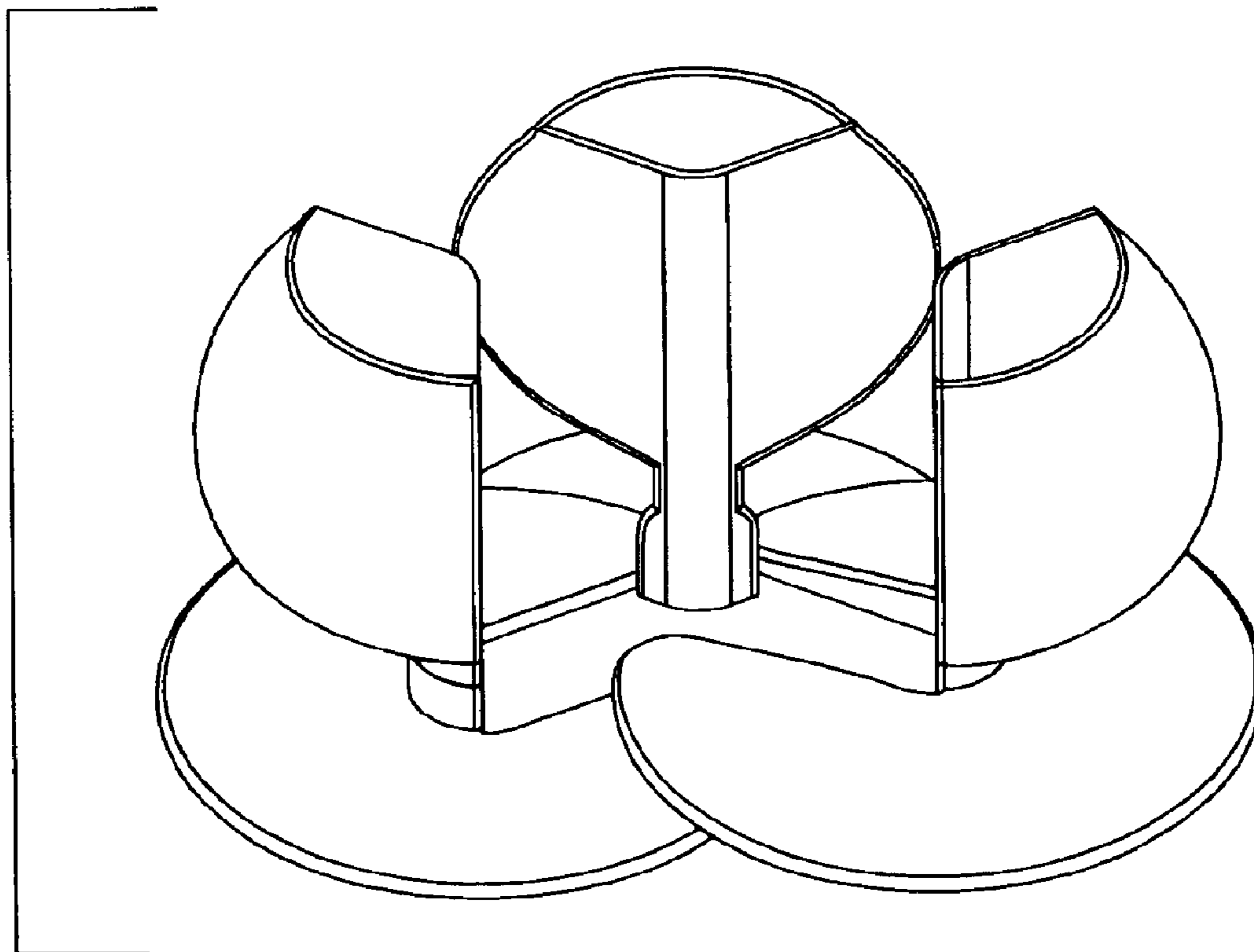


Fig 2

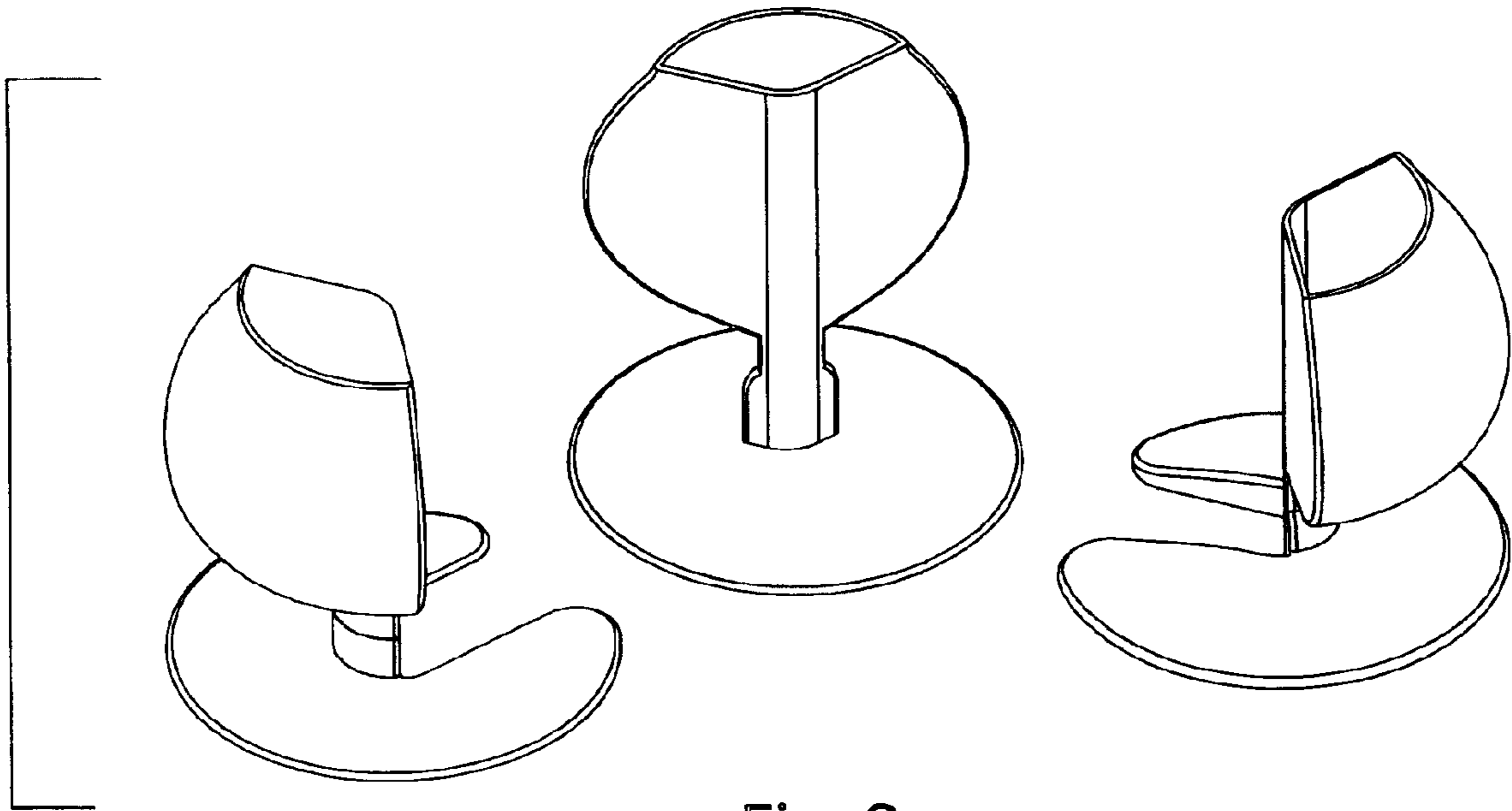


Fig 3

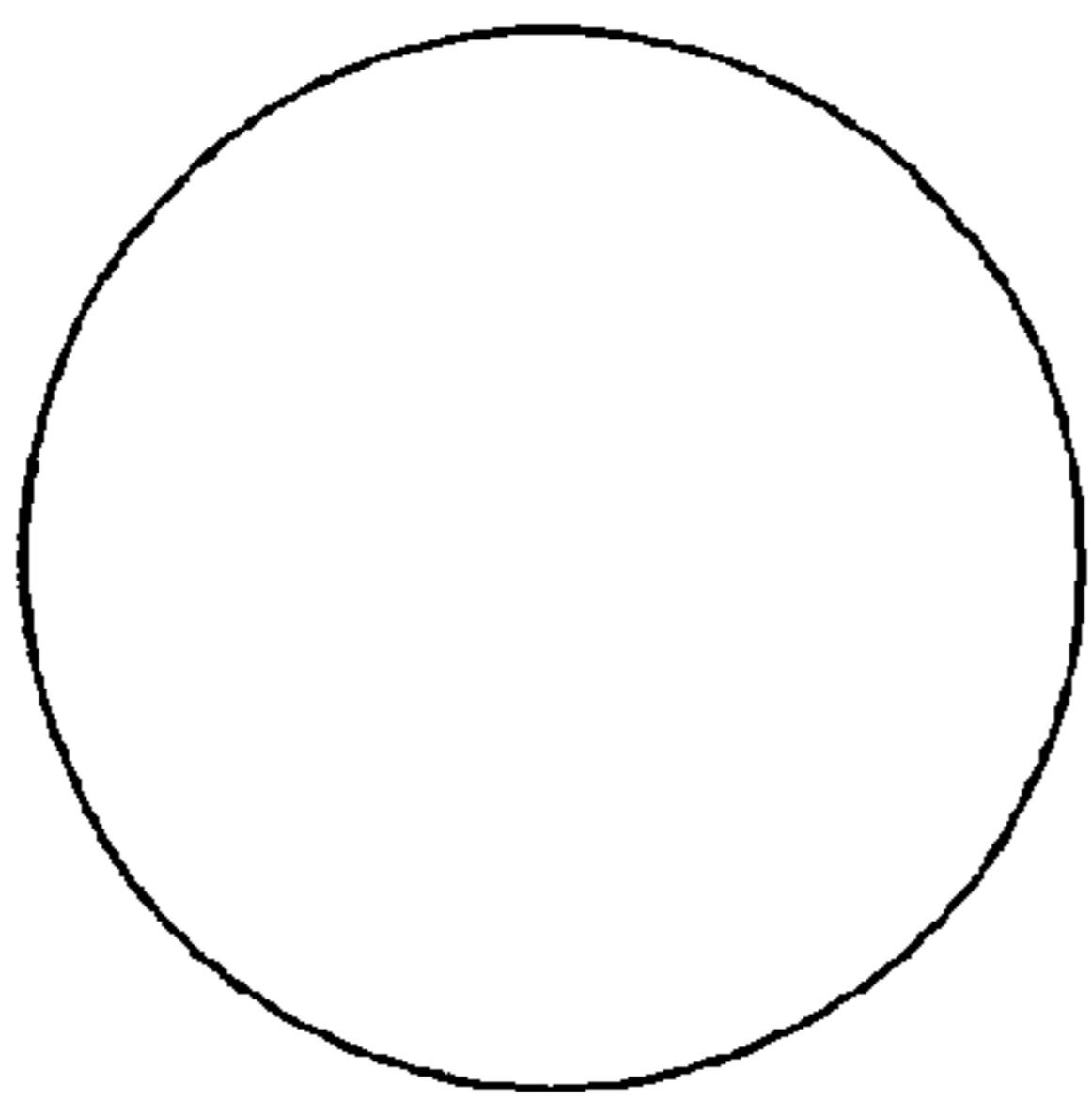


Fig 4

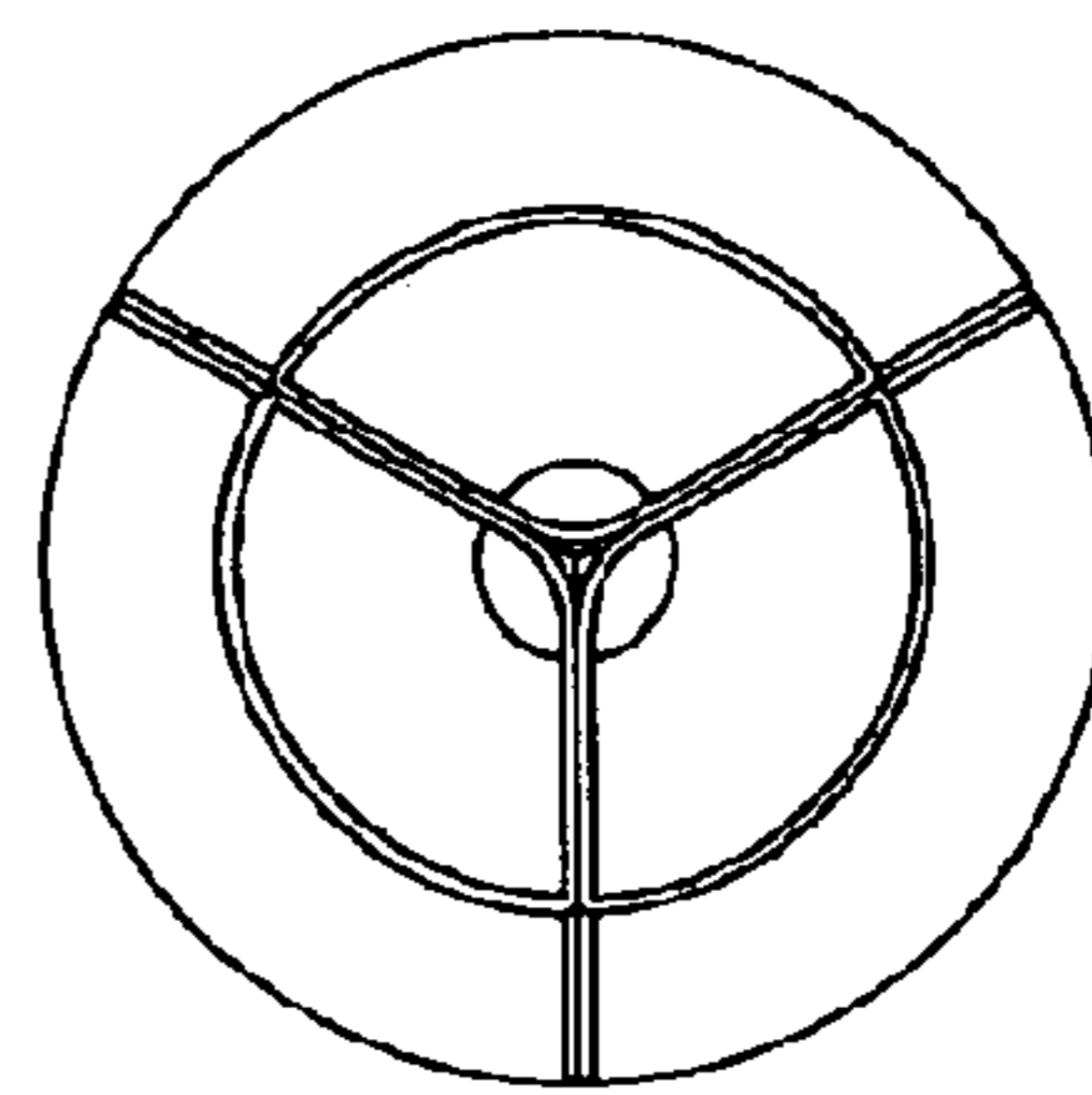


Fig 5

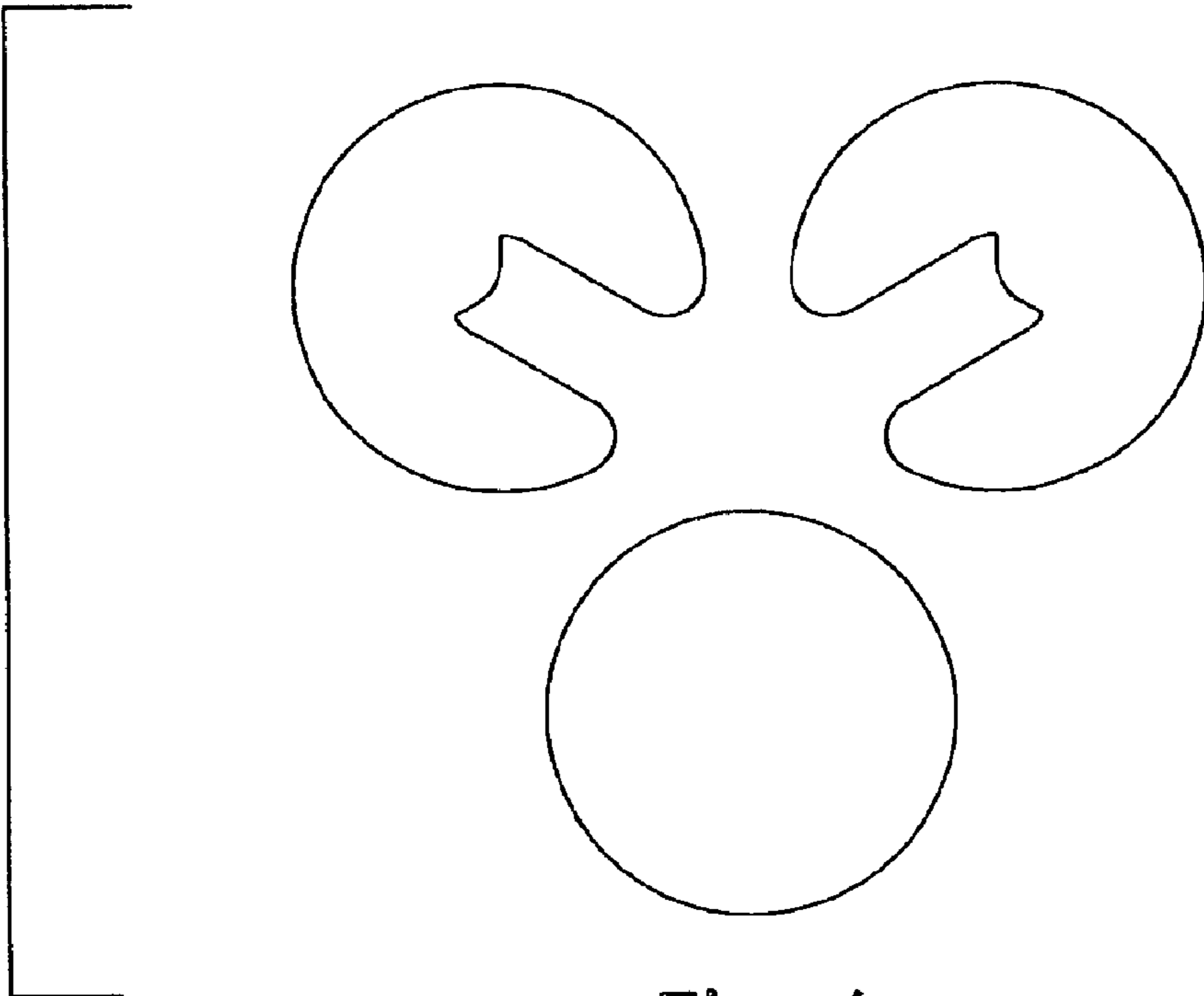


Fig 6

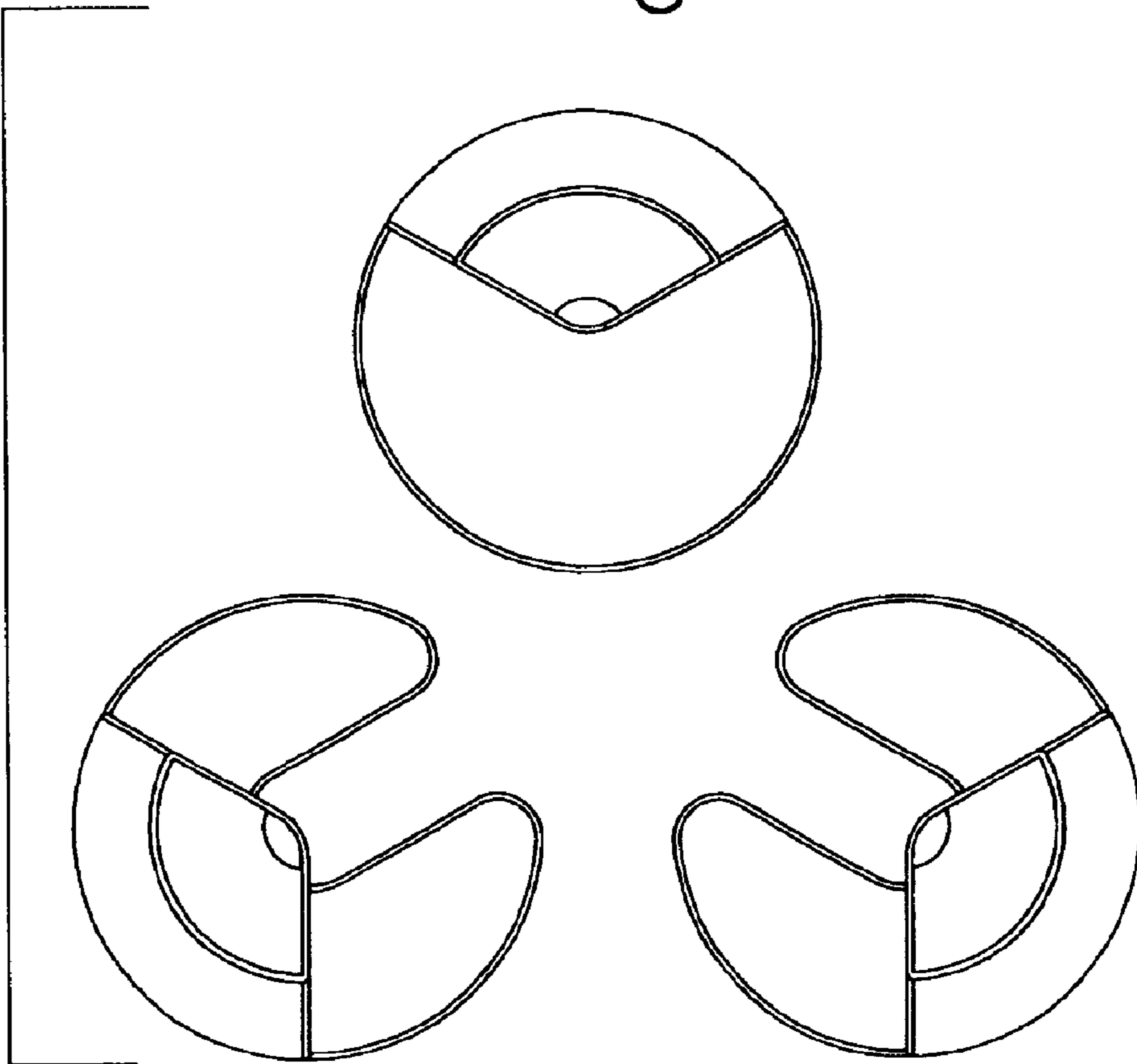


Fig 7