



US00D515868S

(12) **United States Design Patent**
McRoberts

(10) **Patent No.:** **US D515,868 S**
(45) **Date of Patent:** **** Feb. 28, 2006**

(54) **TACO HOLDER**
(75) Inventor: **Denise Maria McRoberts**, Soesterberg
(NL)

(73) Assignee: **McRoberts Holding B.V. i.o.**,
Soesterberg (NL)

(**) Term: **14 Years**

(21) Appl. No.: **29/213,422**

(22) Filed: **Sep. 16, 2004**

(30) **Foreign Application Priority Data**

Mar. 18, 2004 (EM) 000147780-0001

(51) **LOC (8) Cl.** **07-06**

(52) **U.S. Cl.** **D7/504**

(58) **Field of Classification Search** D7/504,
D7/543, 545, 622; 294/1.1, 25; 220/574-575;
211/10, 11, 13.1, 71.01, 85.4; 206/557, 562-564
See application file for complete search history.

(56) **References Cited**

U.S. PATENT DOCUMENTS

D211,043 S * 5/1968 Kay D7/504

3,446,416 A * 5/1969 Epstein 206/557
D222,681 S * 11/1971 Douglas D7/543
3,800,352 A * 4/1974 Bonora 294/1.1

* cited by examiner

Primary Examiner—Terry A. Wallace
(74) *Attorney, Agent, or Firm*—The Webb Law Firm

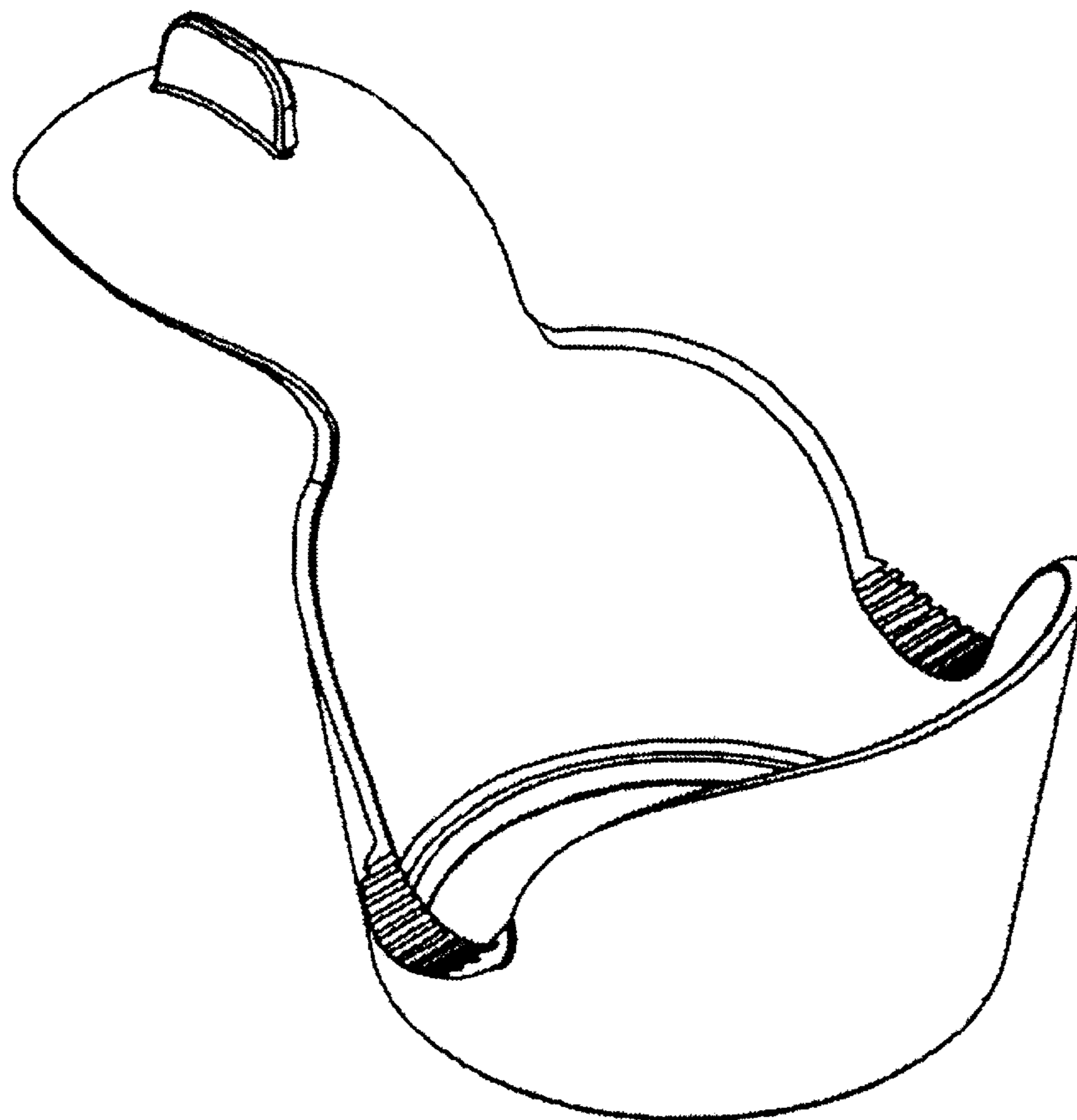
(57) **CLAIM**

The ornamental design for a taco holder, as shown.

DESCRIPTION

FIG. 1 is a perspective view of a taco holder in accordance with the present invention;
FIG. 2 is a rear view thereof;
FIG. 3 is a front view thereof;
FIG. 4 is a left side view thereof;
FIG. 5 is a right side view thereof;
FIG. 6 is a top view thereof; and,
FIG. 7 is a bottom view thereof.

1 Claim, 7 Drawing Sheets



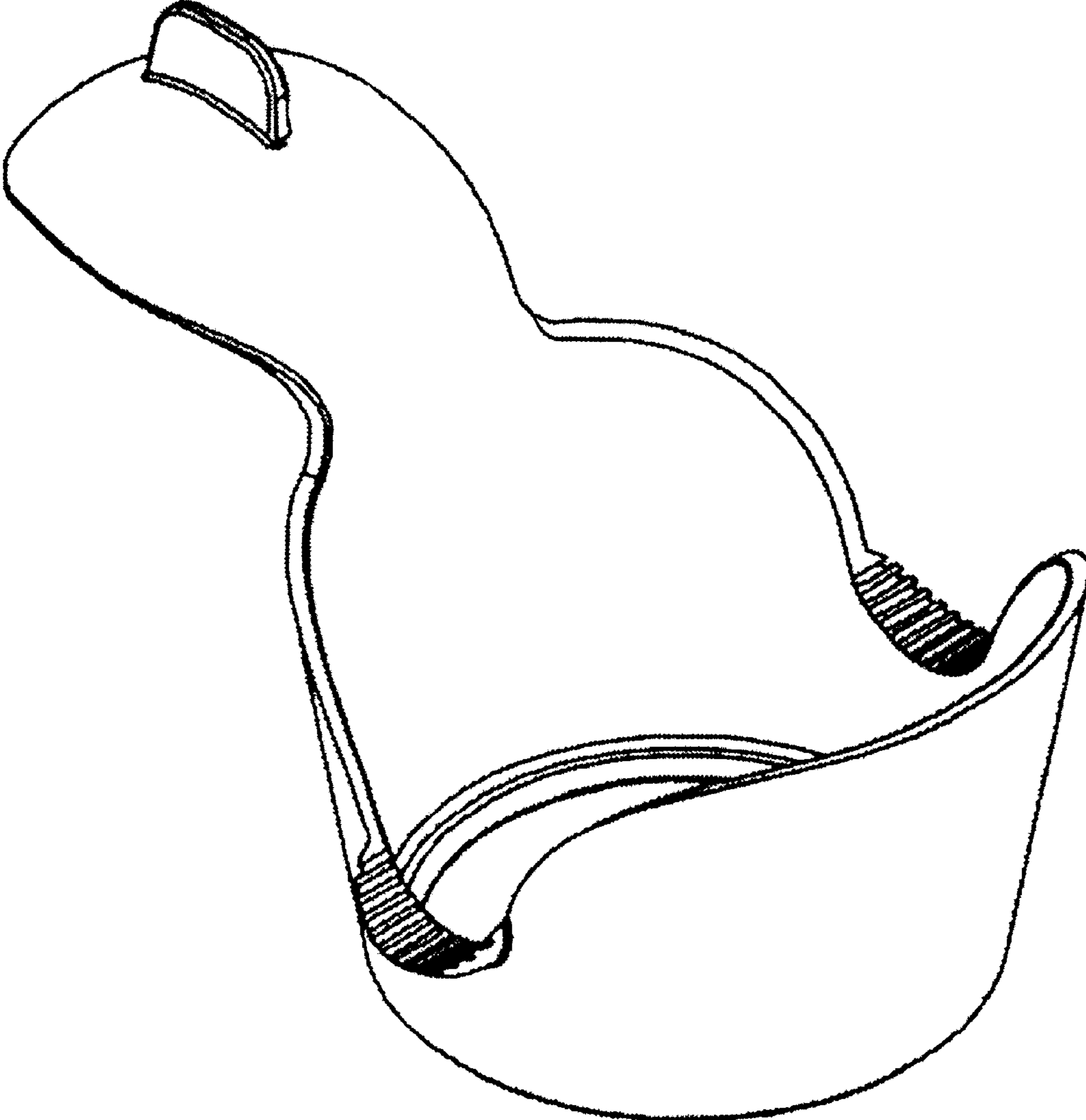


FIG. 1

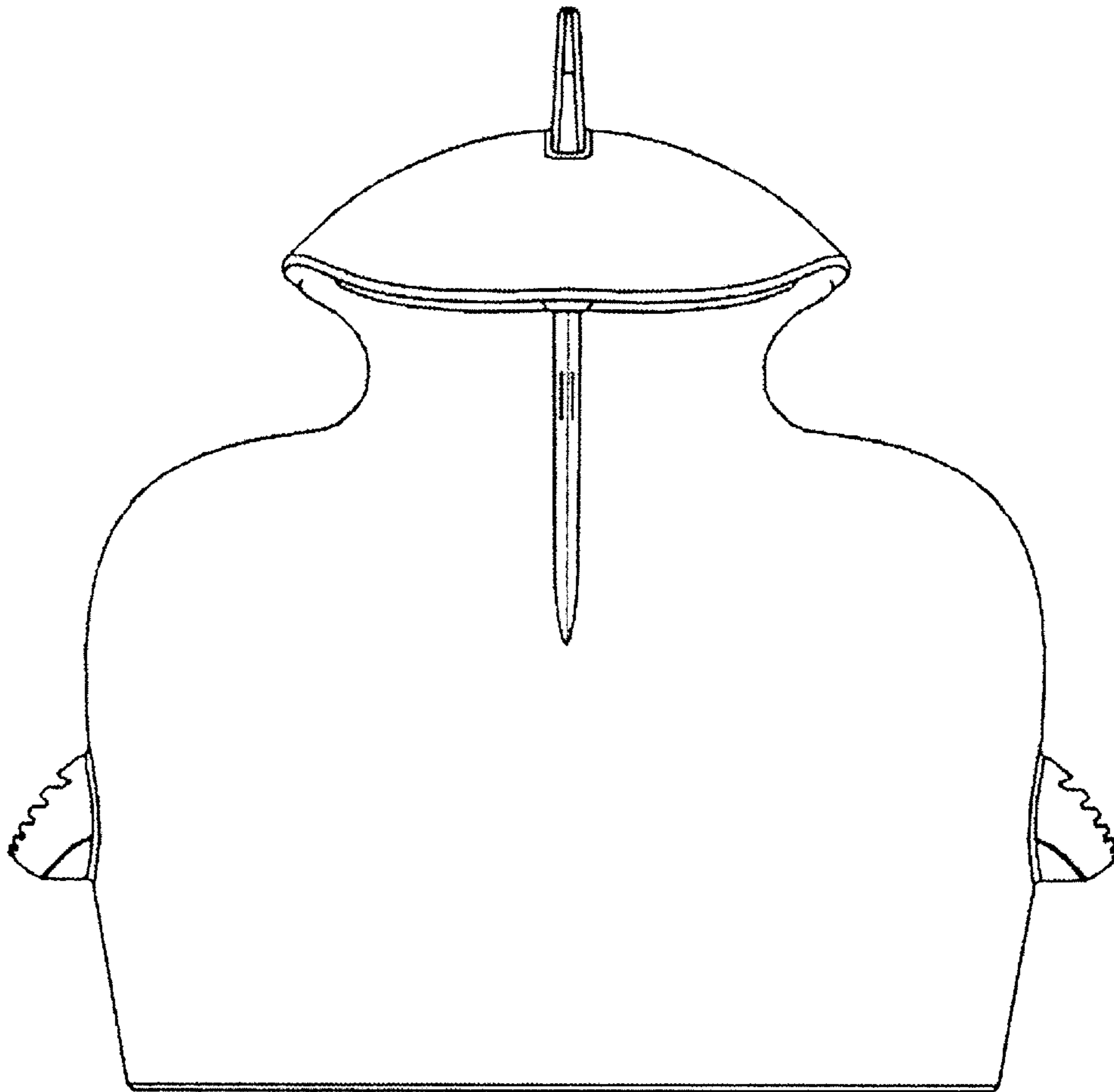


FIG. 2

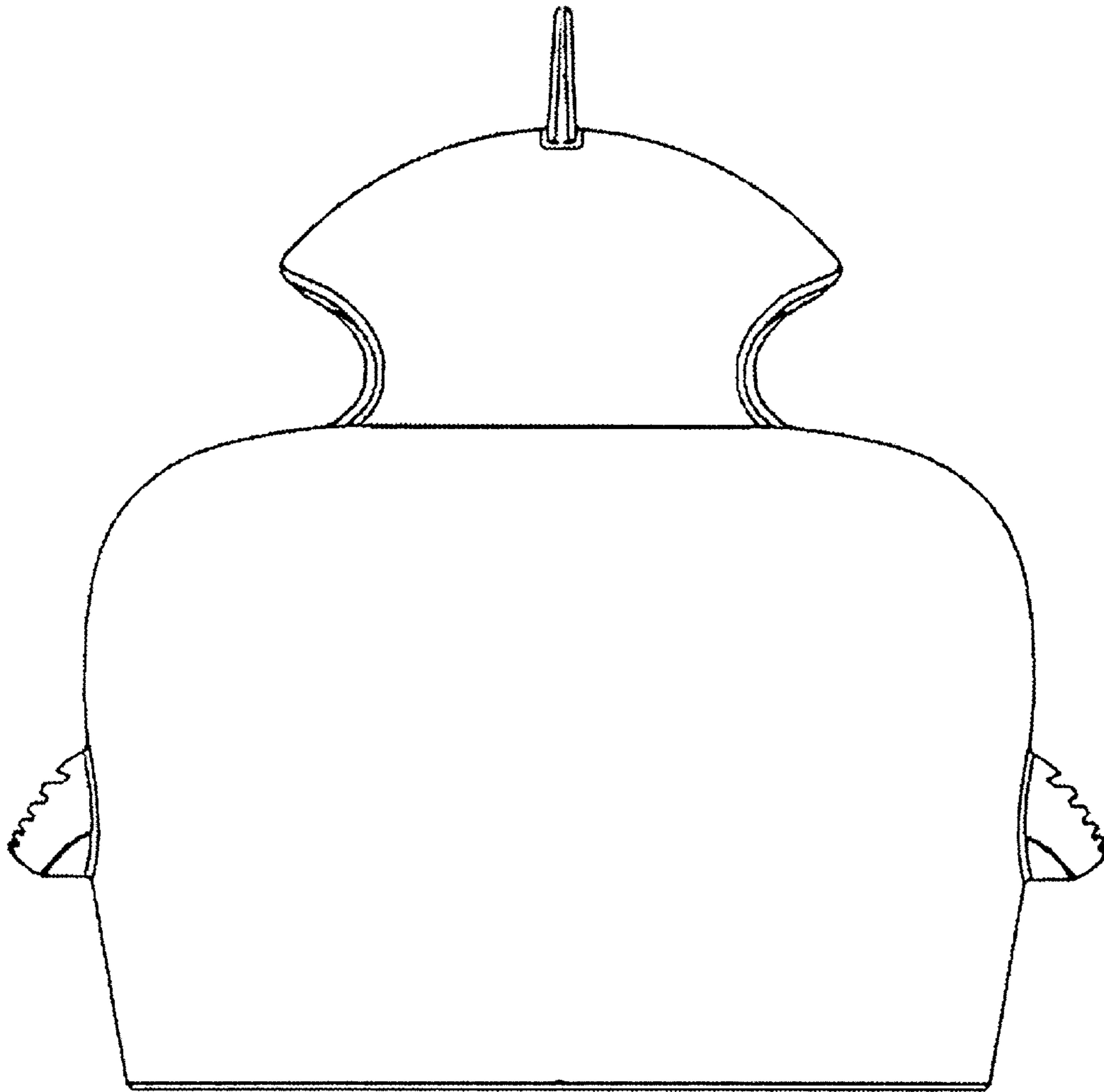


FIG. 3

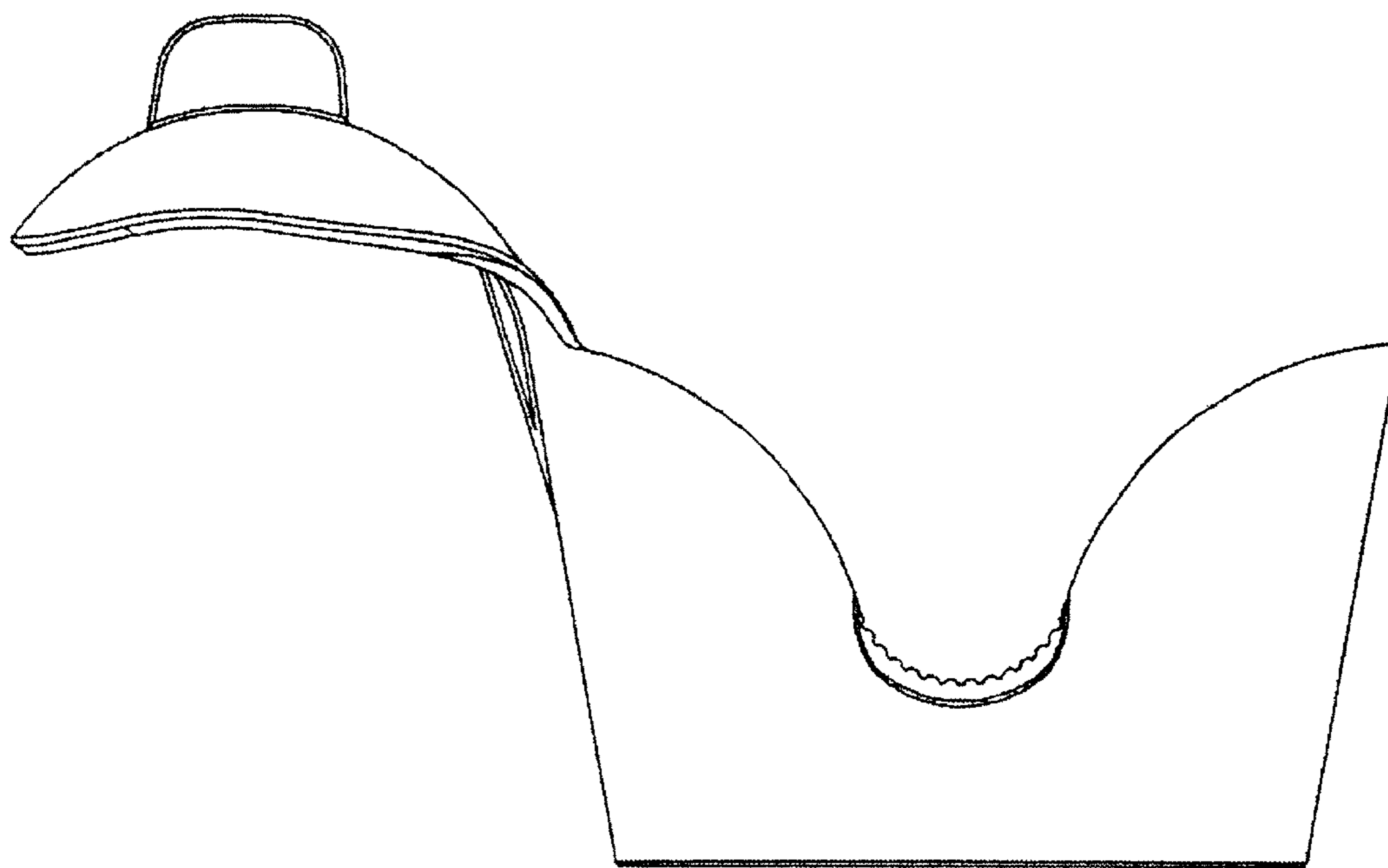


FIG. 4

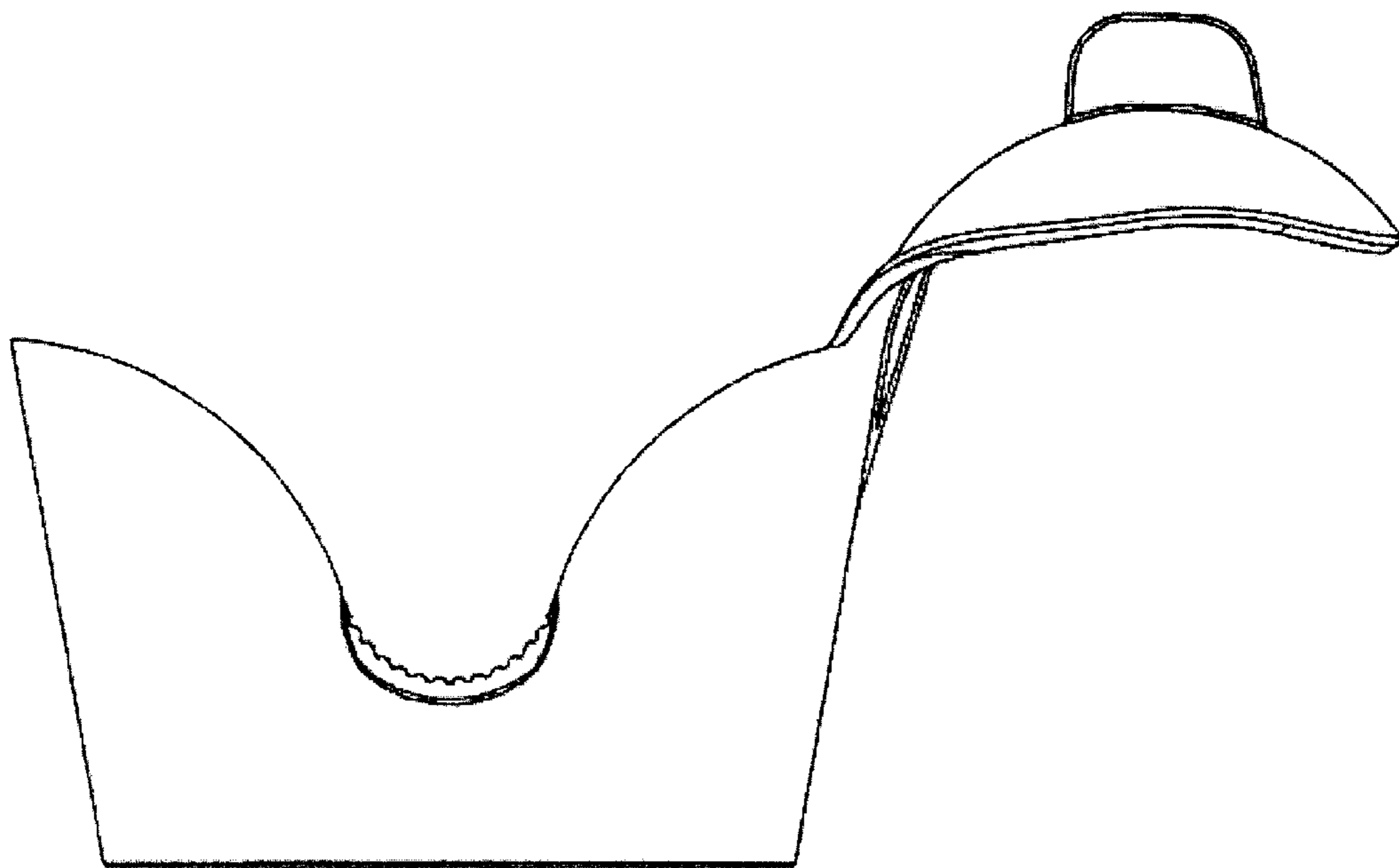


FIG. 5

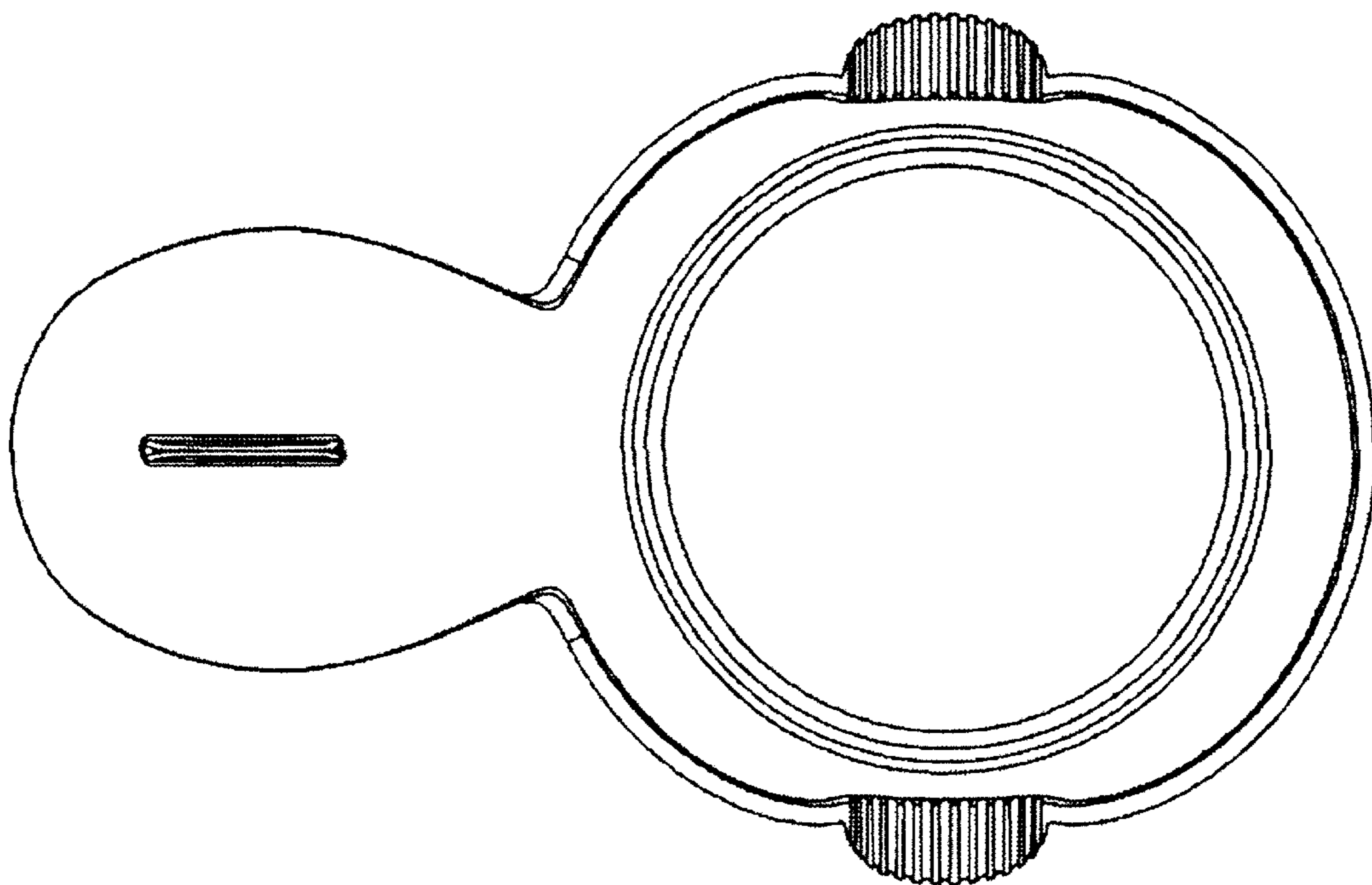


FIG. 6

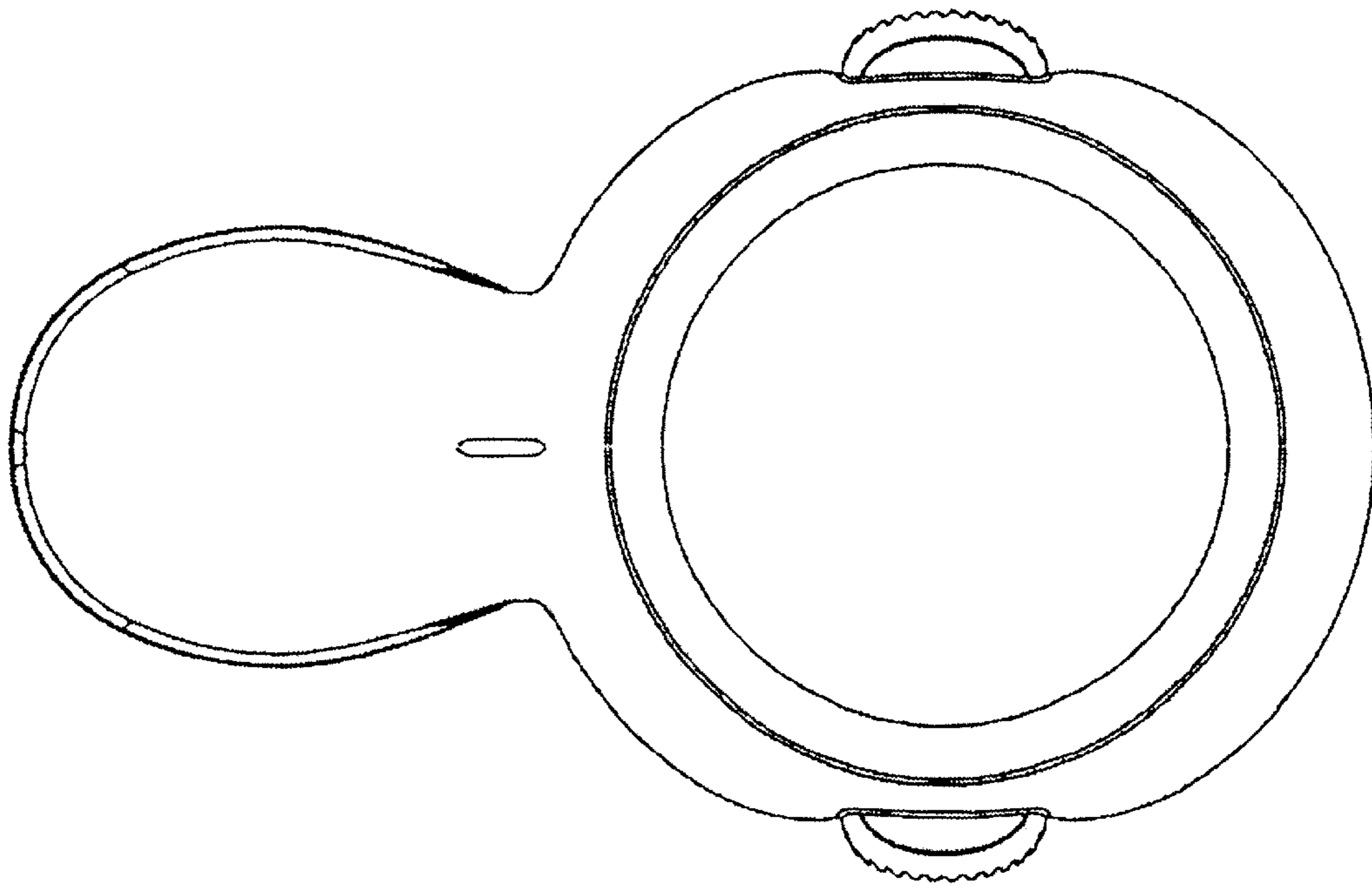


FIG. 7