



US00D515864S

(12) **United States Design Patent**
Elnekaveh

(10) **Patent No.:** **US D515,864 S**

(45) **Date of Patent:** **** Feb. 28, 2006**

(54) **HOT DOG MAKER**

(76) Inventor: **Alex Elnekaveh**, 12621 Encinitas Ave.,
Sylmar, CA (US) 91342

(**) Term: **14 Years**

(21) Appl. No.: **29/203,176**

(22) Filed: **Apr. 12, 2004**

(51) **LOC (8) Cl.** **07-02**

(52) **U.S. Cl.** **D7/338**

(58) **Field of Classification Search** D7/338,
D7/332-337, 362, 365, 402; 99/339, 421 R,
99/443 C, 448; 219/464.1, 470, 471, 476,
219/441, 388, 214, 386

See application file for complete search history.

(56) **References Cited**

U.S. PATENT DOCUMENTS

D148,943 S * 3/1948 Nassif D7/365
D182,273 S * 3/1958 Connolly D7/338

4,516,485 A * 5/1985 Miller 99/339
6,393,971 B1 * 5/2002 Hunot et al. 99/341
6,838,644 B1 * 1/2005 Chung-Ting 219/393

* cited by examiner

Primary Examiner—Ruth McInroy

(74) *Attorney, Agent, or Firm*—Roger Marrs

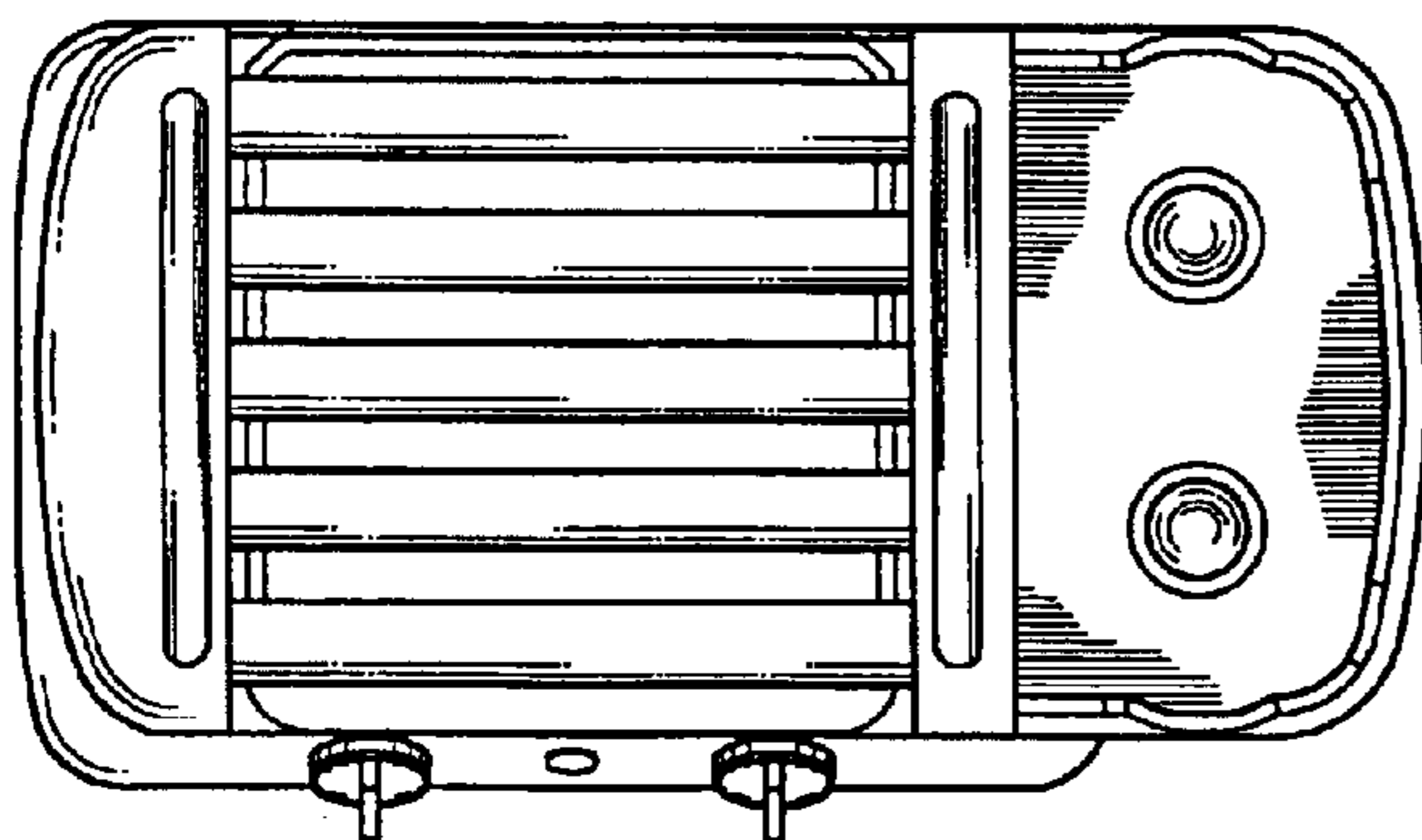
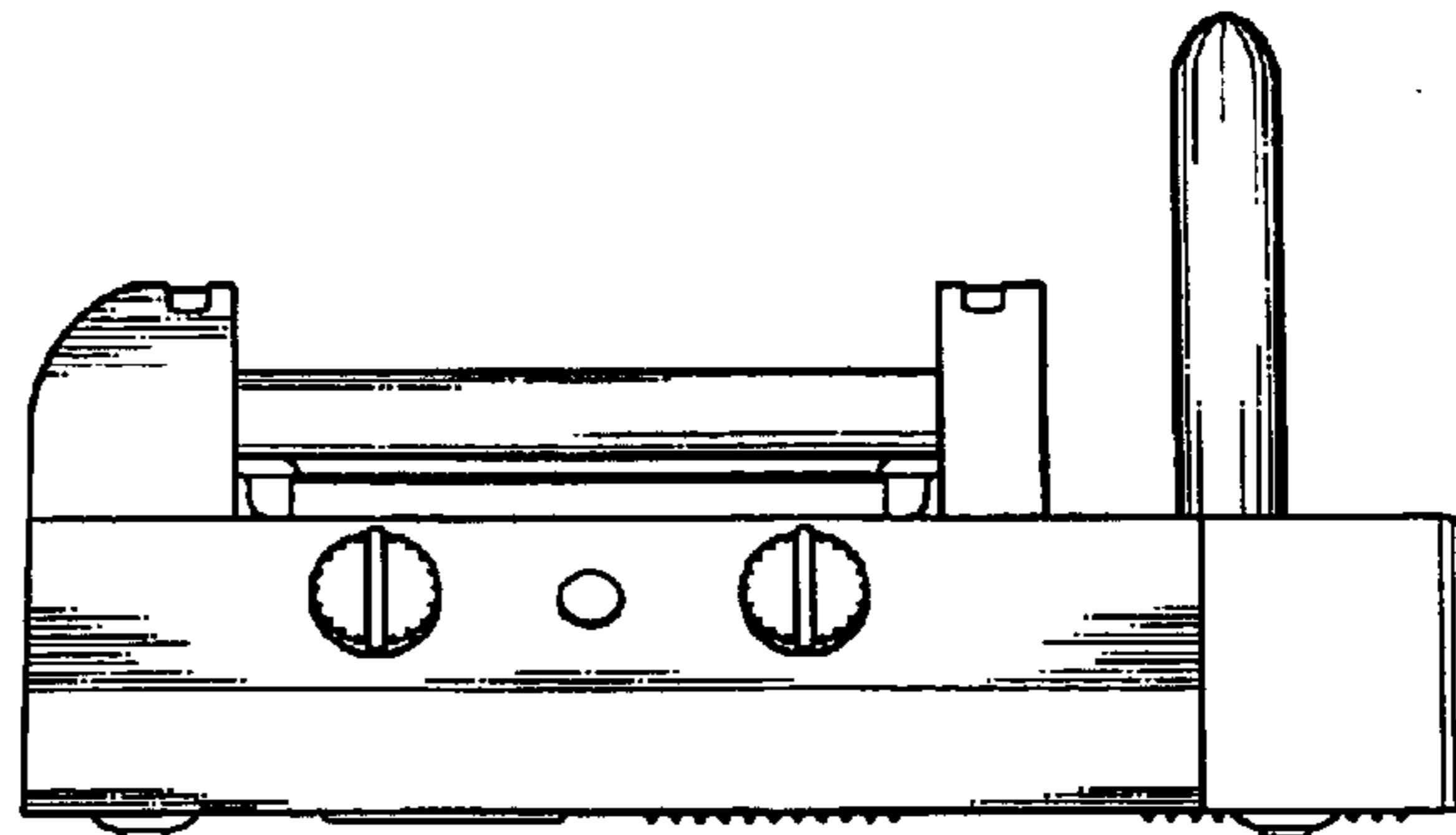
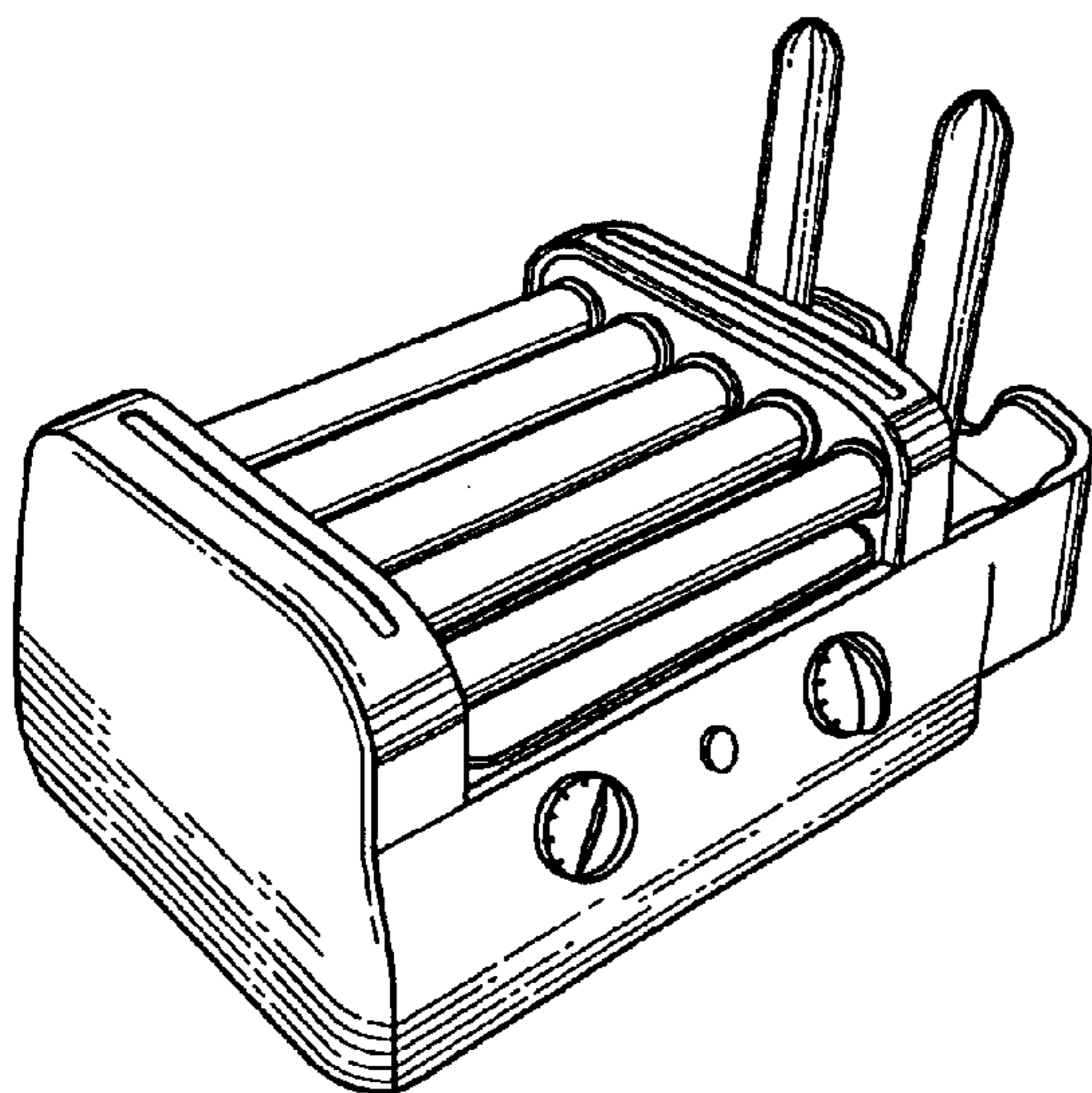
(57) **CLAIM**

The ornamental design for a hot dog maker, substantially as shown and described.

DESCRIPTION

FIG. 1 is a front perspective view of a hot dog maker showing my new design;
FIG. 2 is a top plan view thereof;
FIG. 3 is a front elevational view thereof;
FIG. 4 is a rear view thereof;
FIG. 5 is a side elevational view thereof; and,
FIG. 6 is a side elevational view opposite from the side shown in FIG. 5.

1 Claim, 3 Drawing Sheets



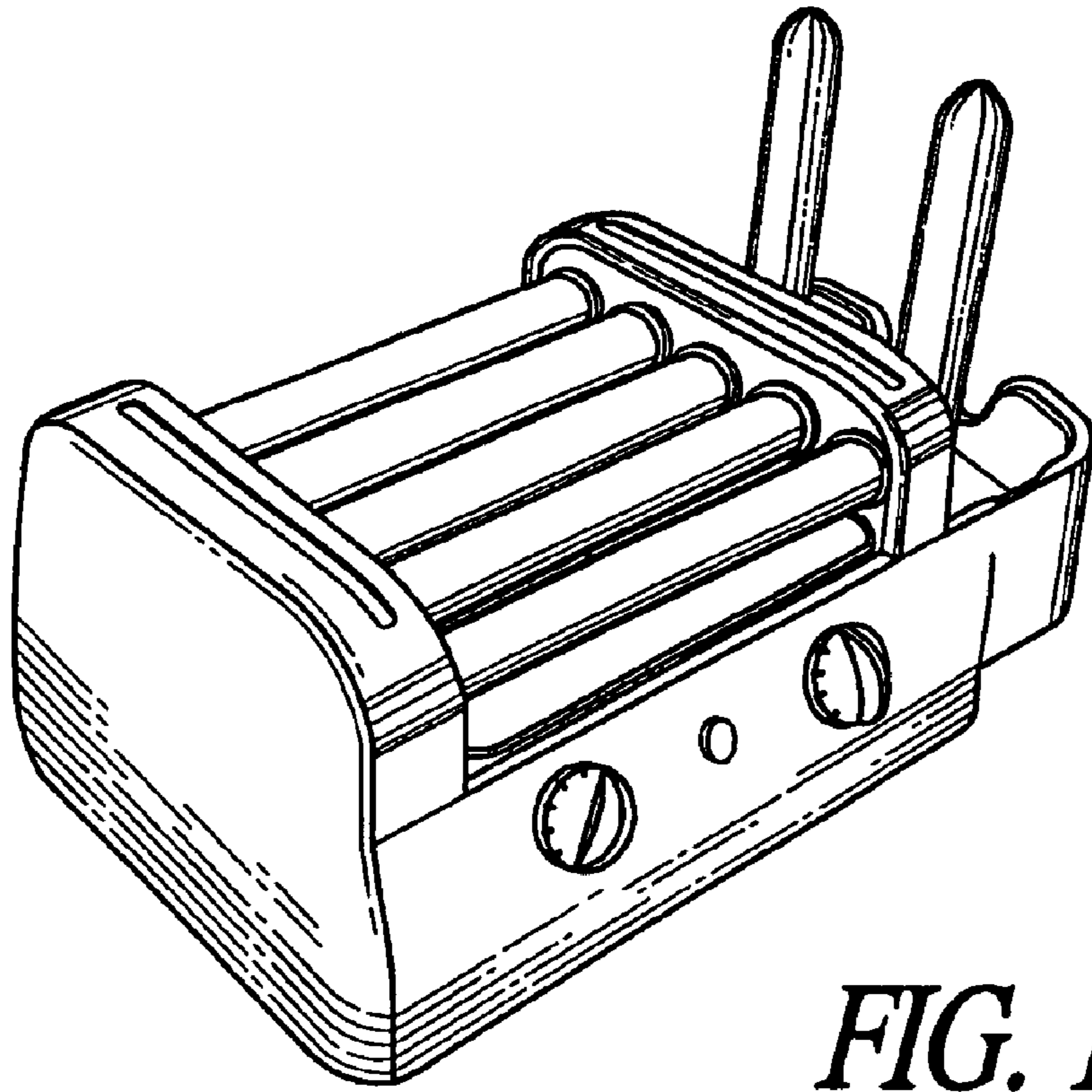


FIG. 1

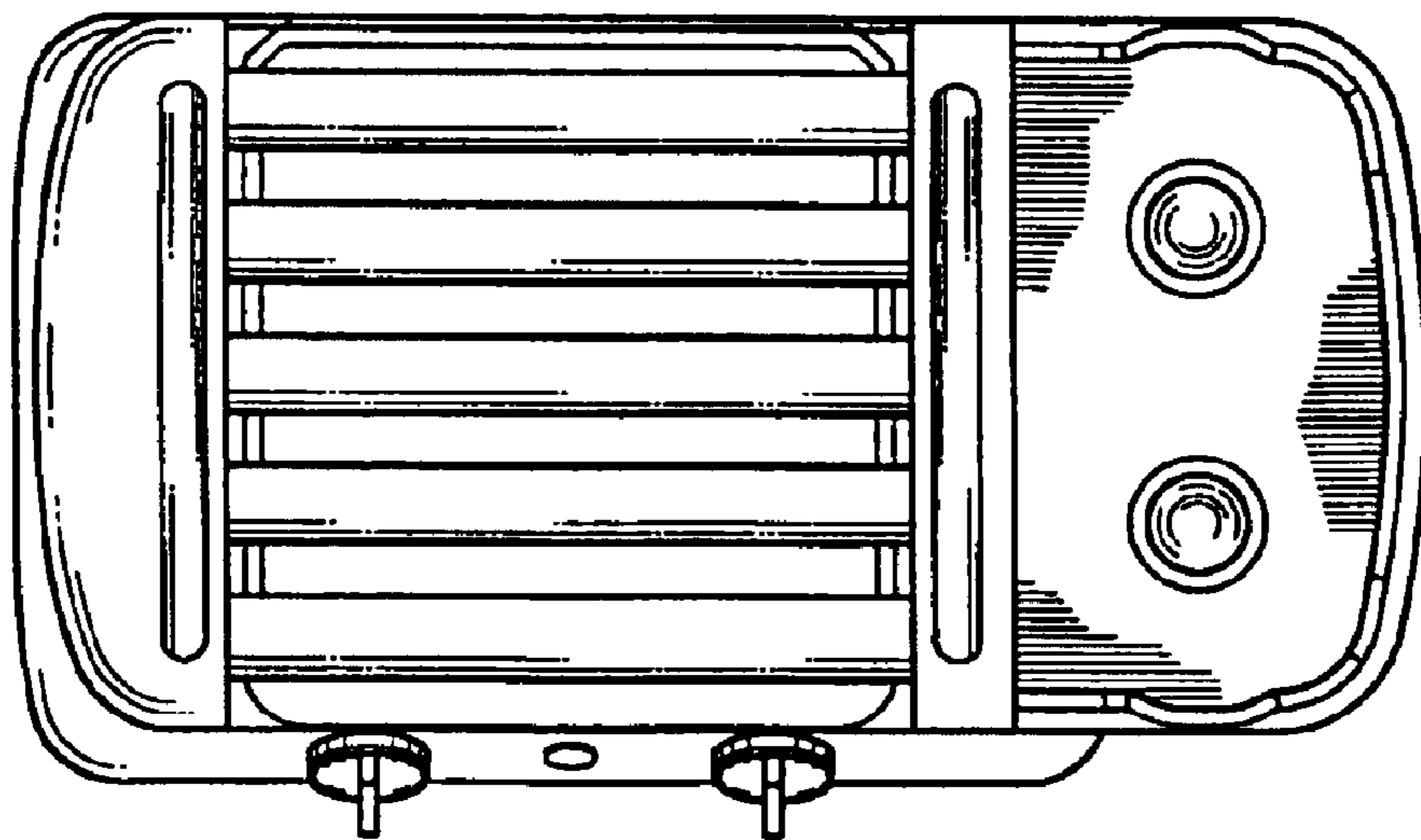


FIG. 2

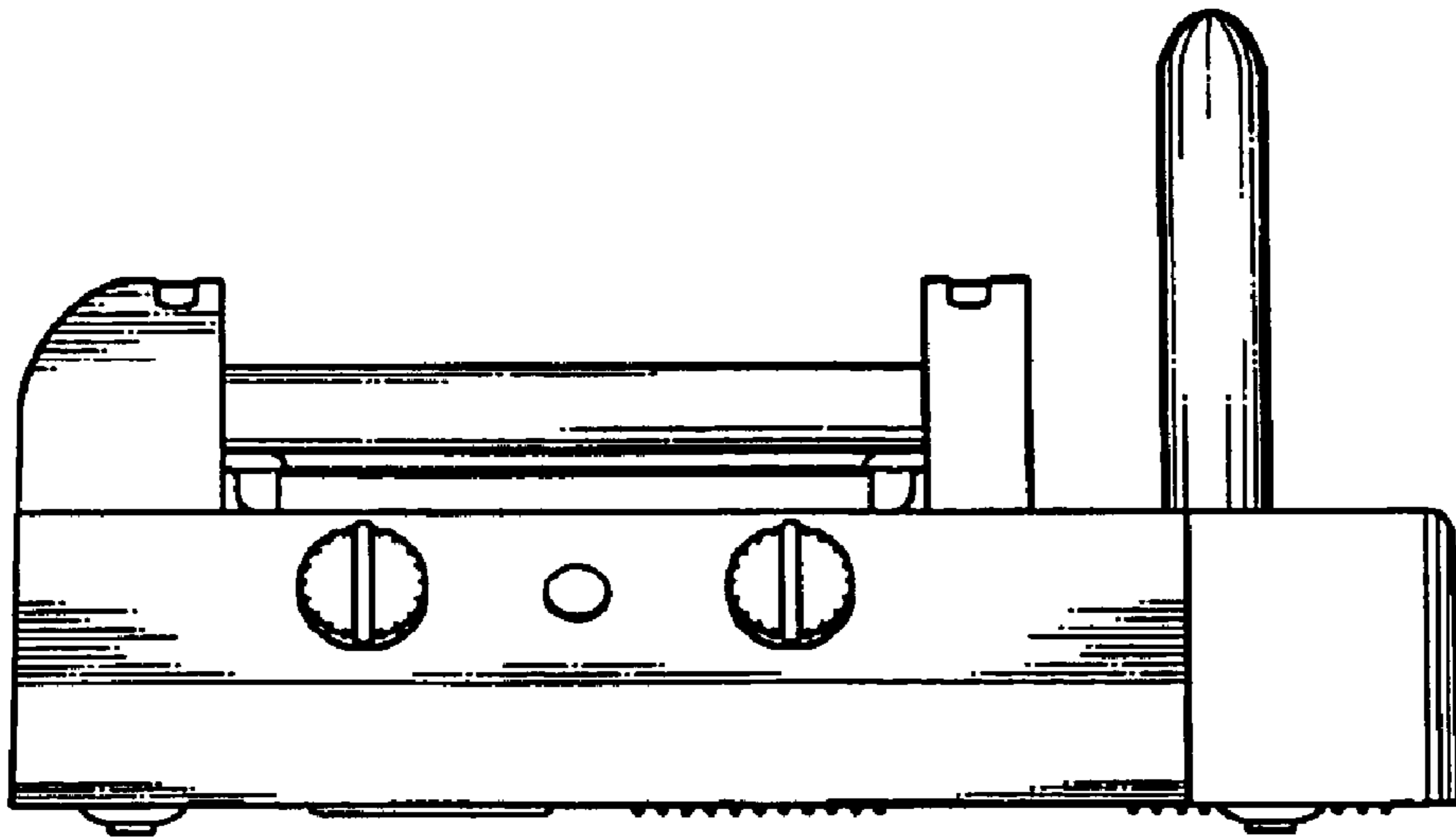


FIG. 3

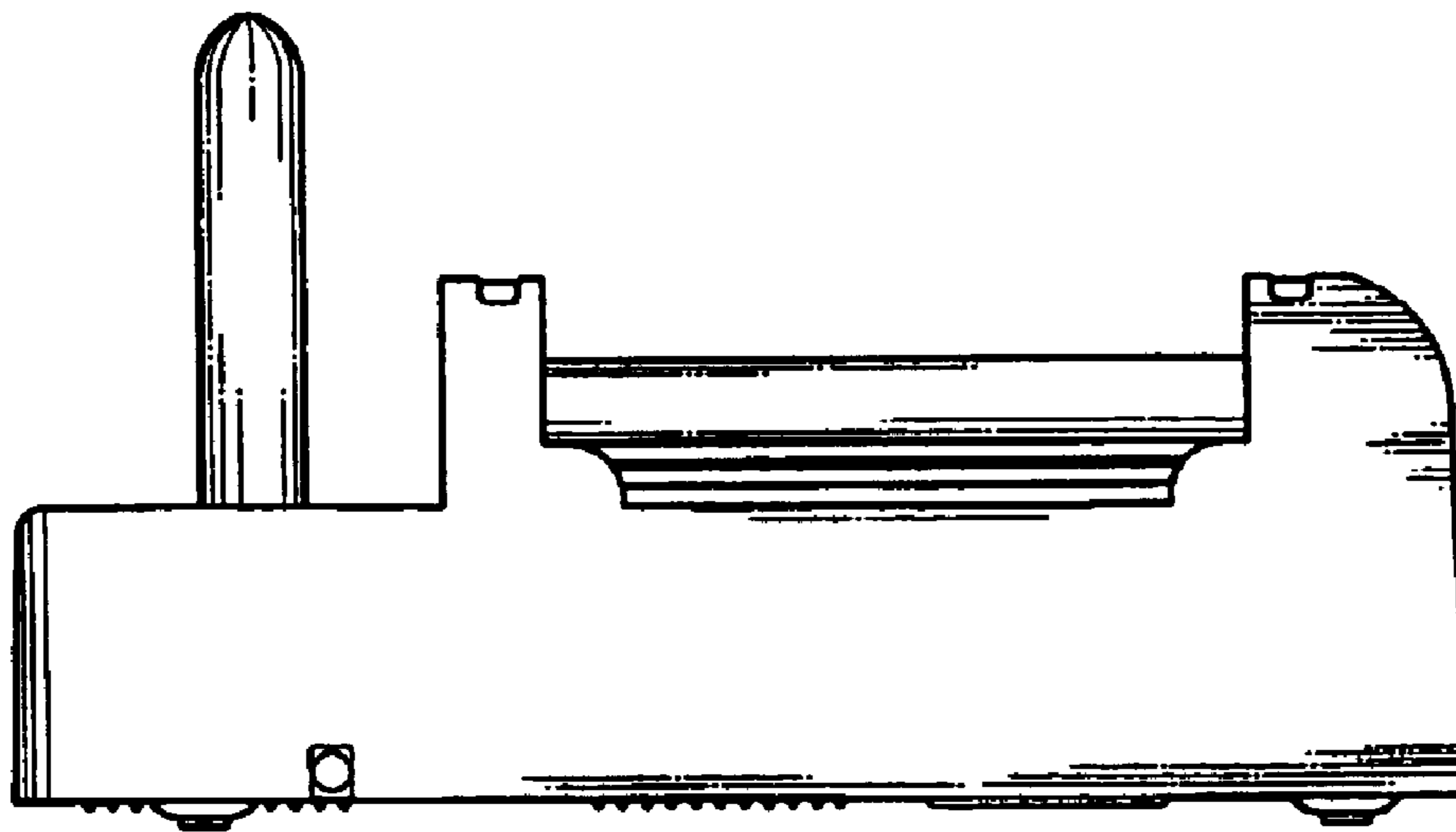


FIG. 4

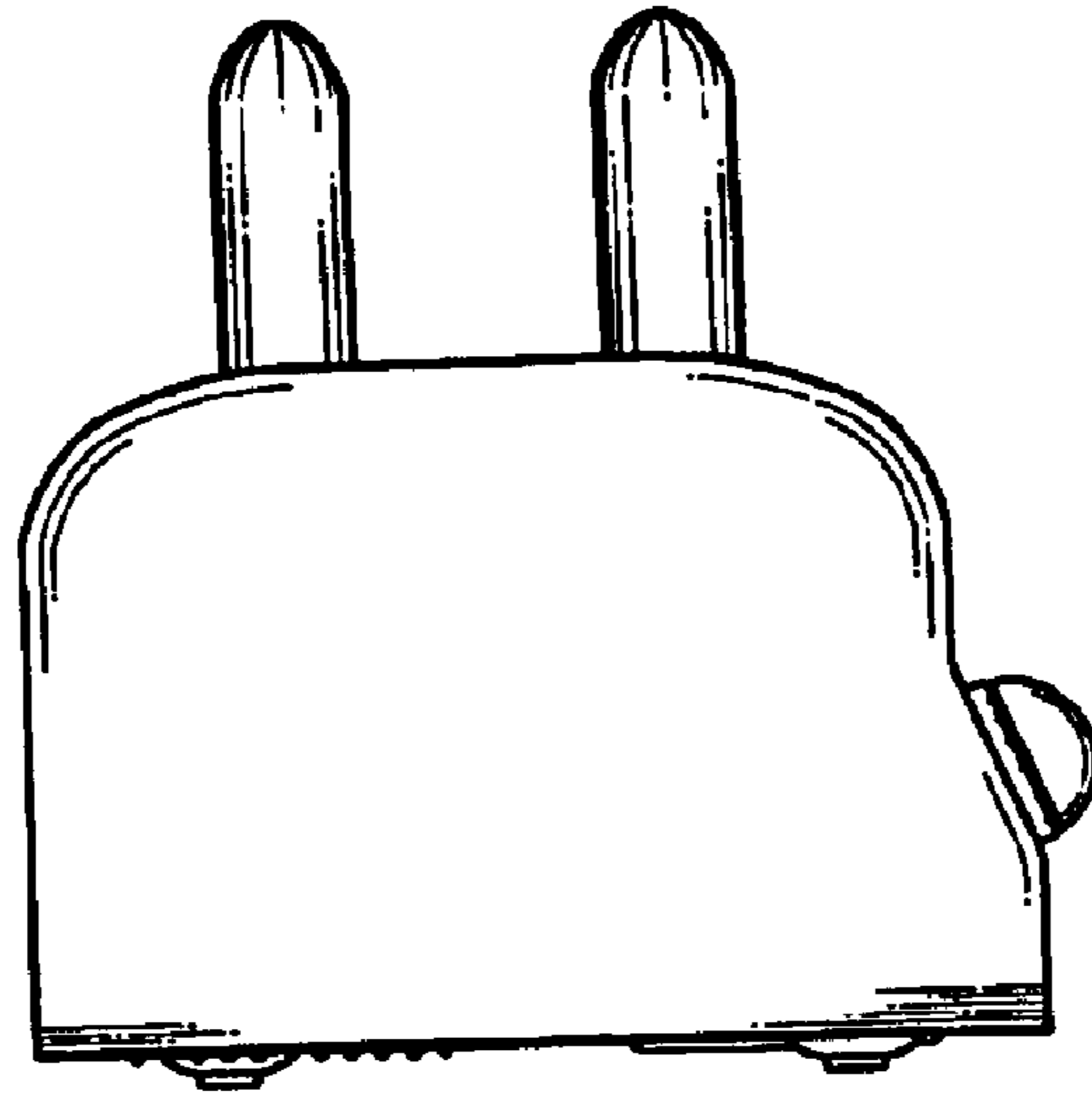


FIG. 5

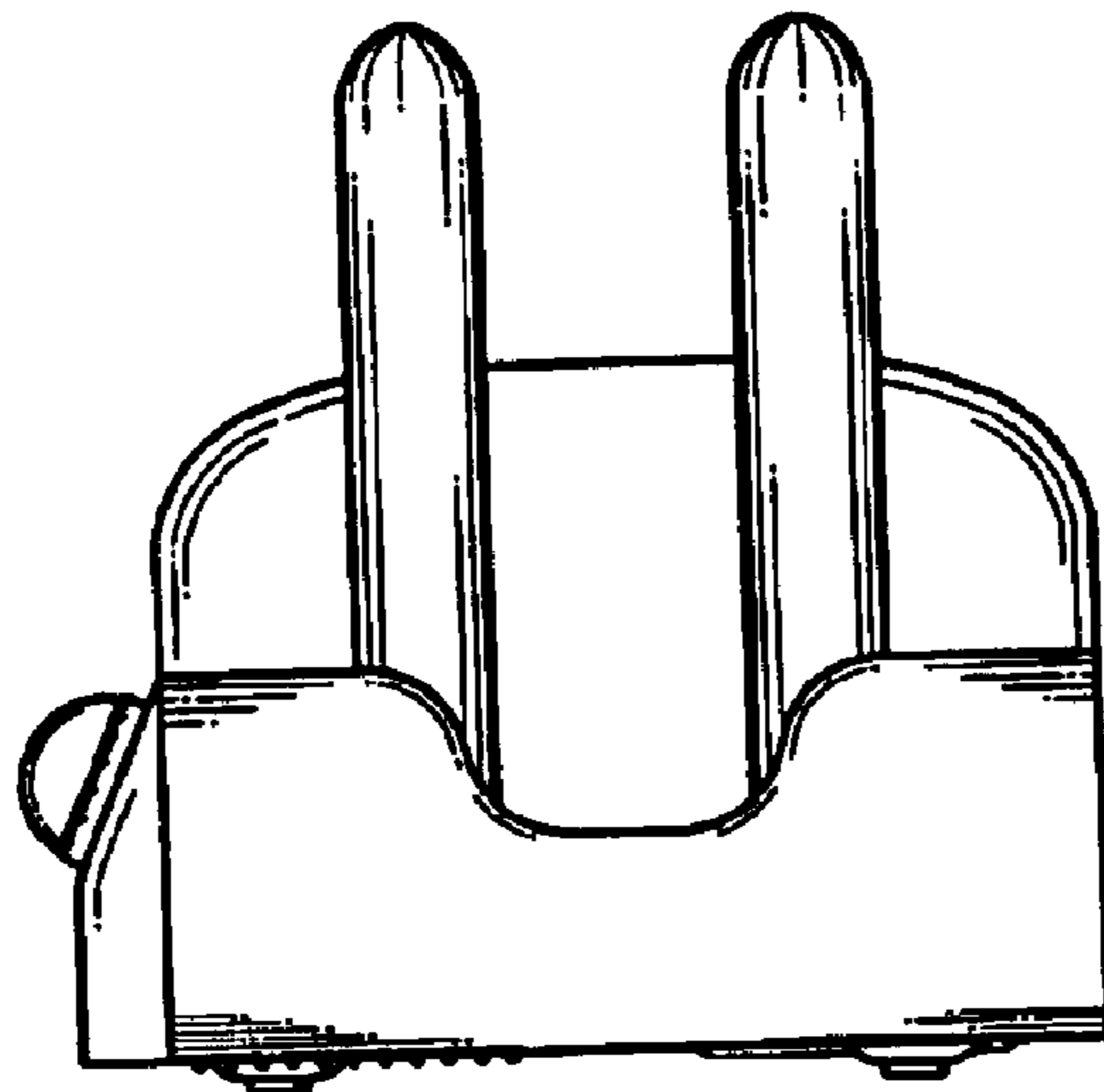


FIG. 6