



US00D515861S

(12) **United States Design Patent**
Wu

(10) **Patent No.:** **US D515,861 S**
(45) **Date of Patent:** **** Feb. 28, 2006**

- (54) **TOWEL HANGER BASE**
- (75) Inventor: **Shin-Wang Wu**, Taipei (TW)
- (73) Assignee: **Penta Hardware Co., Ltd.**, Taipei (TW)
- (**) Term: **14 Years**
- (21) Appl. No.: **29/225,478**
- (22) Filed: **Mar. 17, 2005**
- (51) **LOC (8) Cl.** **06-04**
- (52) **U.S. Cl.** **D6/550**
- (58) **Field of Classification Search** D6/546-550,
D6/518-523; D8/300, 303, 315-321, 349,
D8/354, 363, 373, 380; 108/28-29; 248/175,
248/176.1, 251, 302, 309.1; 16/110.1, 412,
16/415; 242/570, 590, 595-598; 211/13.1,
211/16, 60.1, 100, 86.01, 87.01, 88.01, 88.04,
211/105.1-105.2, 123, 182, 181.1
See application file for complete search history.

- D341,511 S * 11/1993 McKeone D6/550
- D451,739 S * 12/2001 Yeh D6/550
- D451,740 S * 12/2001 Yeh D6/550
- D454,745 S * 3/2002 Wright D6/550

* cited by examiner

Primary Examiner—Brian N Vinson

(57) **CLAIM**

The ornamental design for towel hanger base, as shown and described.

DESCRIPTION

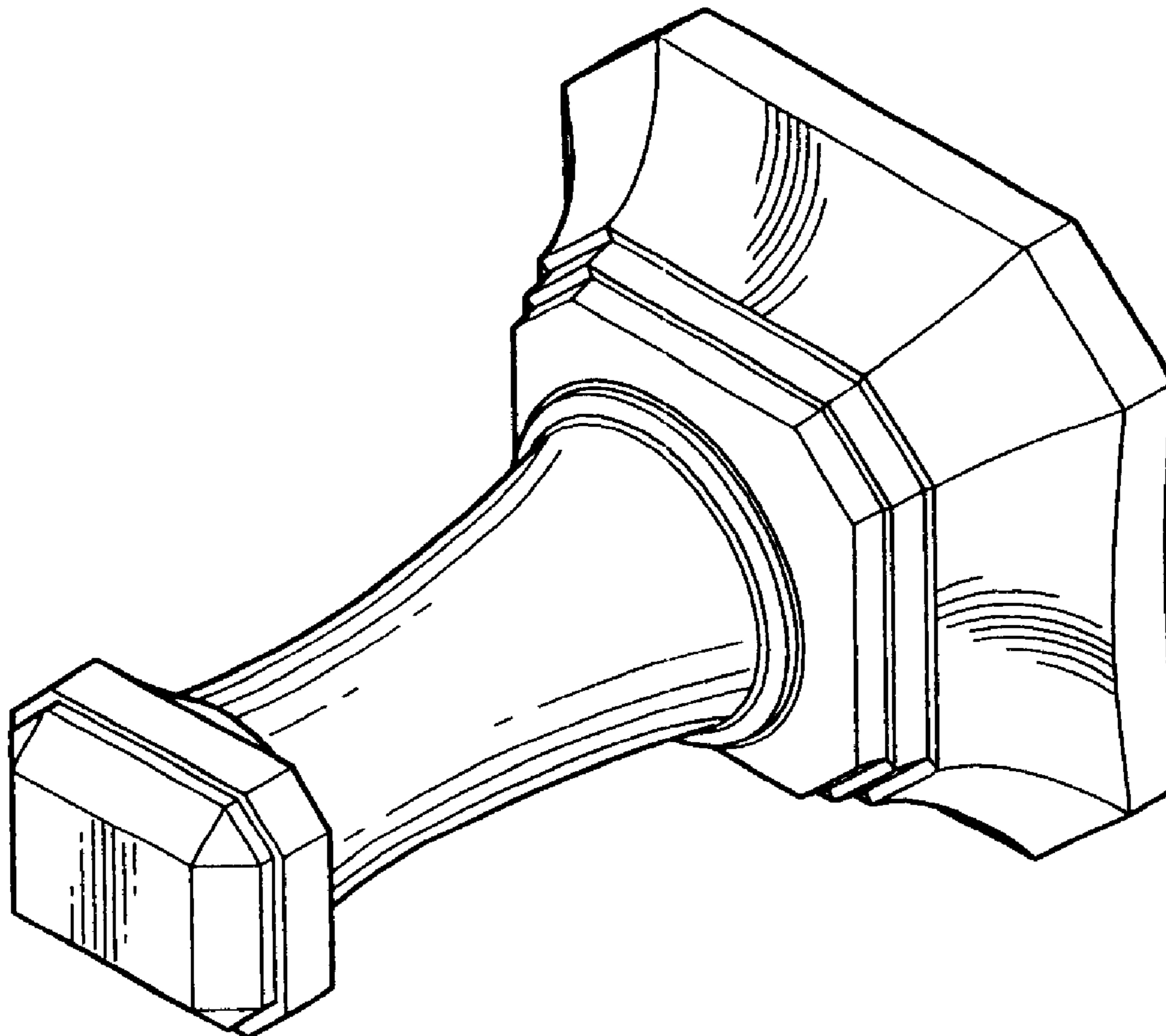
- FIG. 1 is a perspective view thereof;
- FIG. 2 is a front view thereof;
- FIG. 3 is a back view thereof;
- FIG. 4 is a left side view thereof;
- FIG. 5 is a right side view thereof;
- FIG. 6 is a top view thereof; and,
- FIG. 7 is a bottom view thereof.

(56) **References Cited**

U.S. PATENT DOCUMENTS

- D91,178 S * 12/1933 Pleiss D6/550

1 Claim, 4 Drawing Sheets



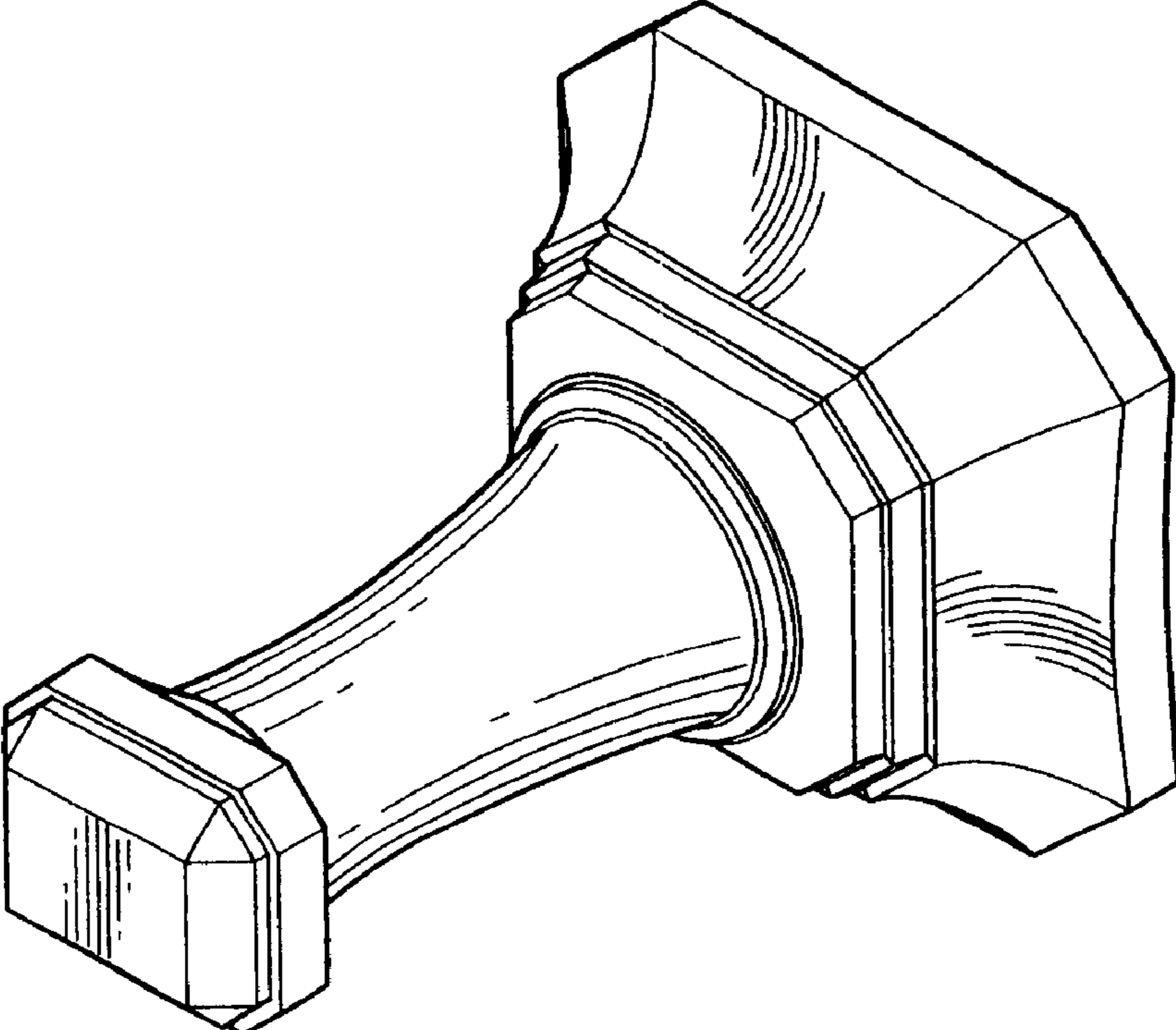


Fig. 1

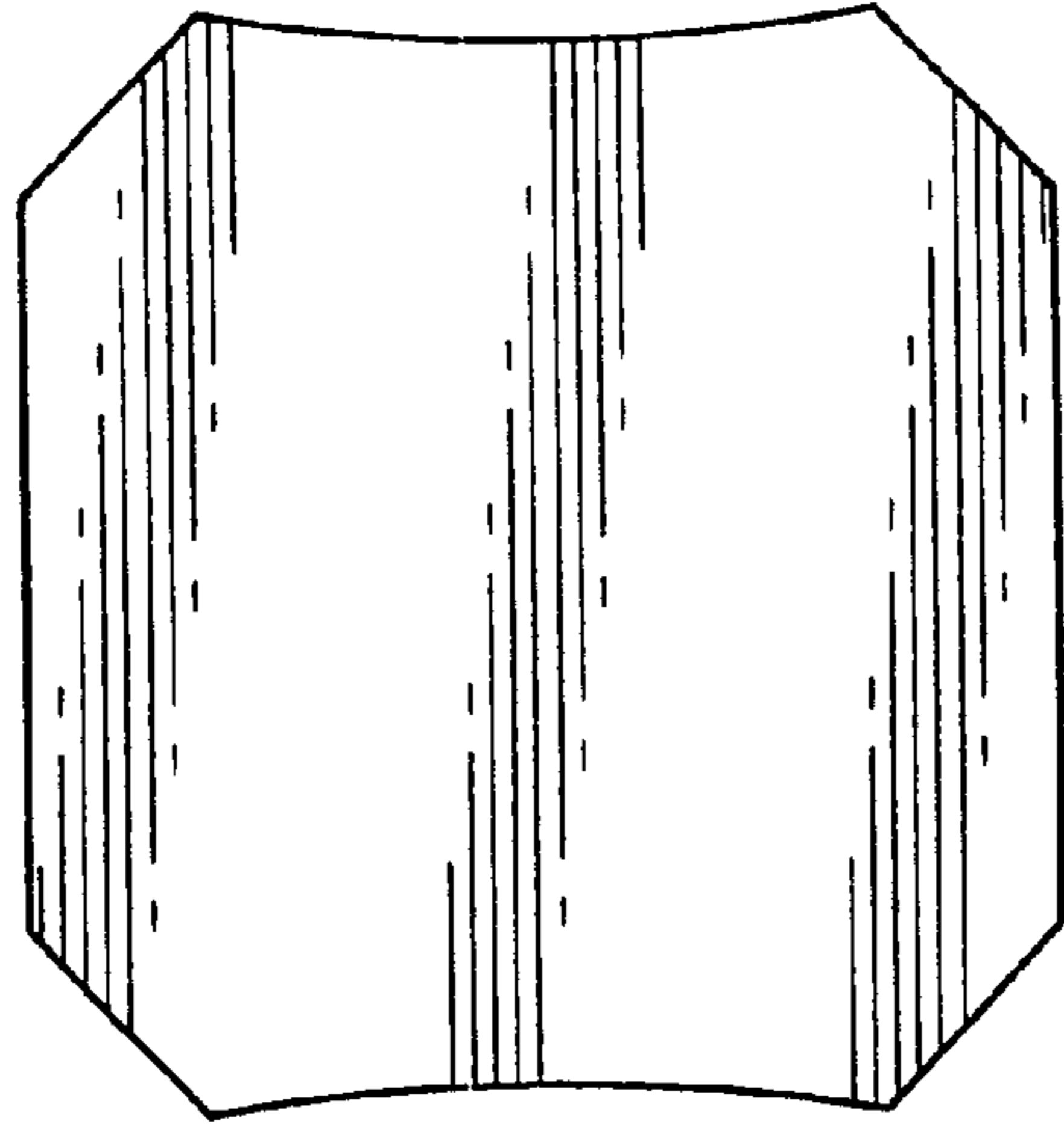


Fig. 3

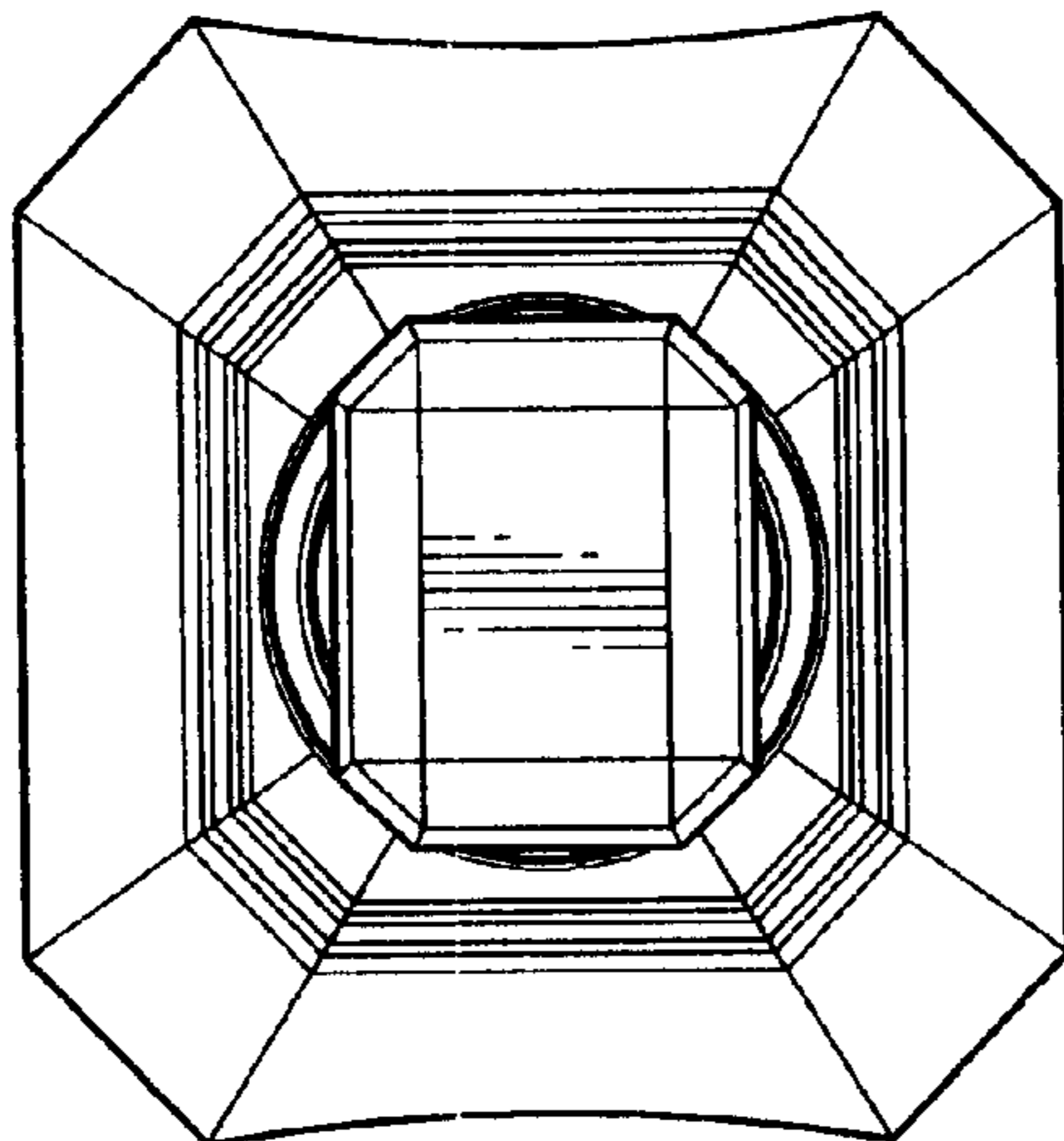


Fig. 2

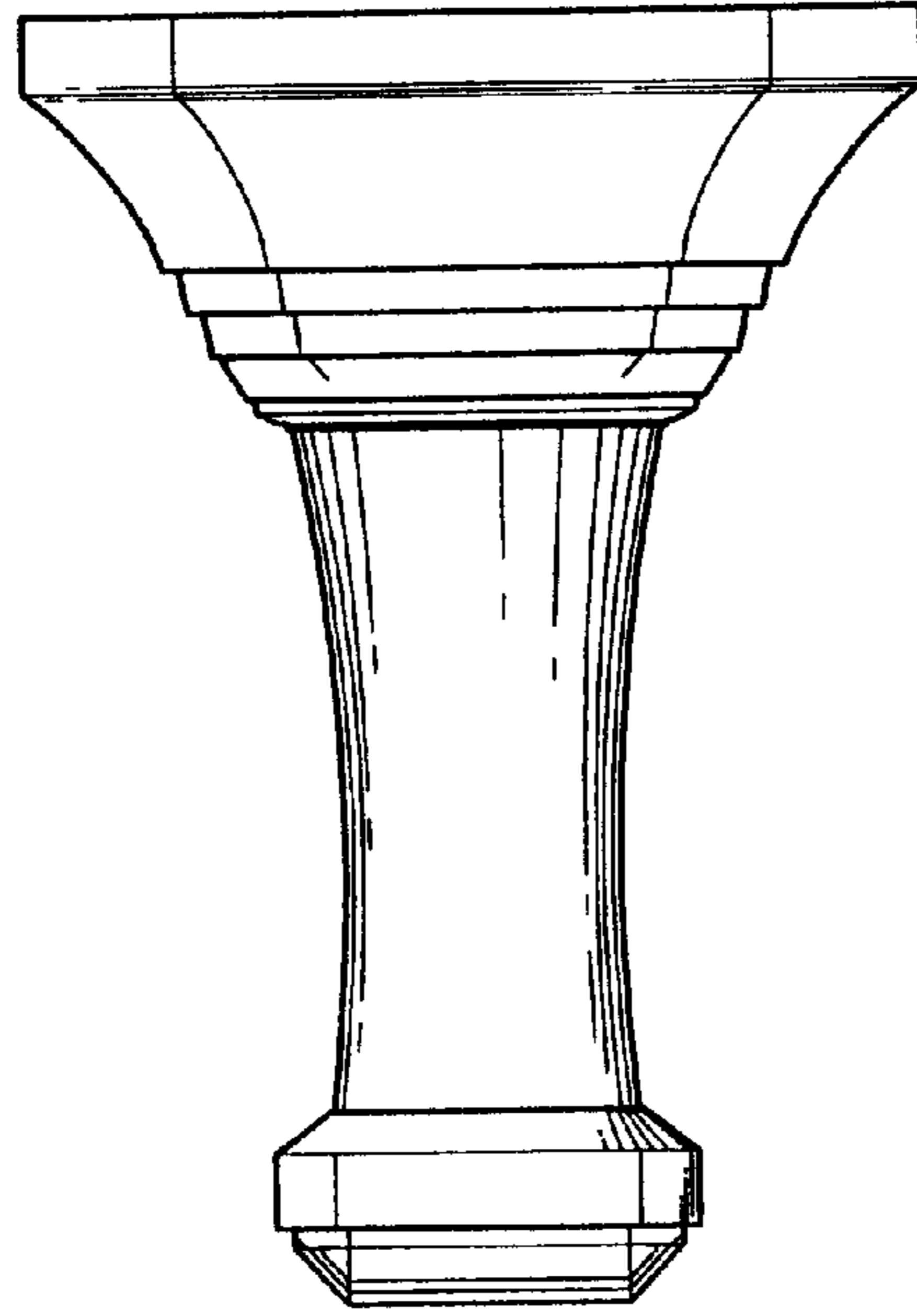


Fig. 5

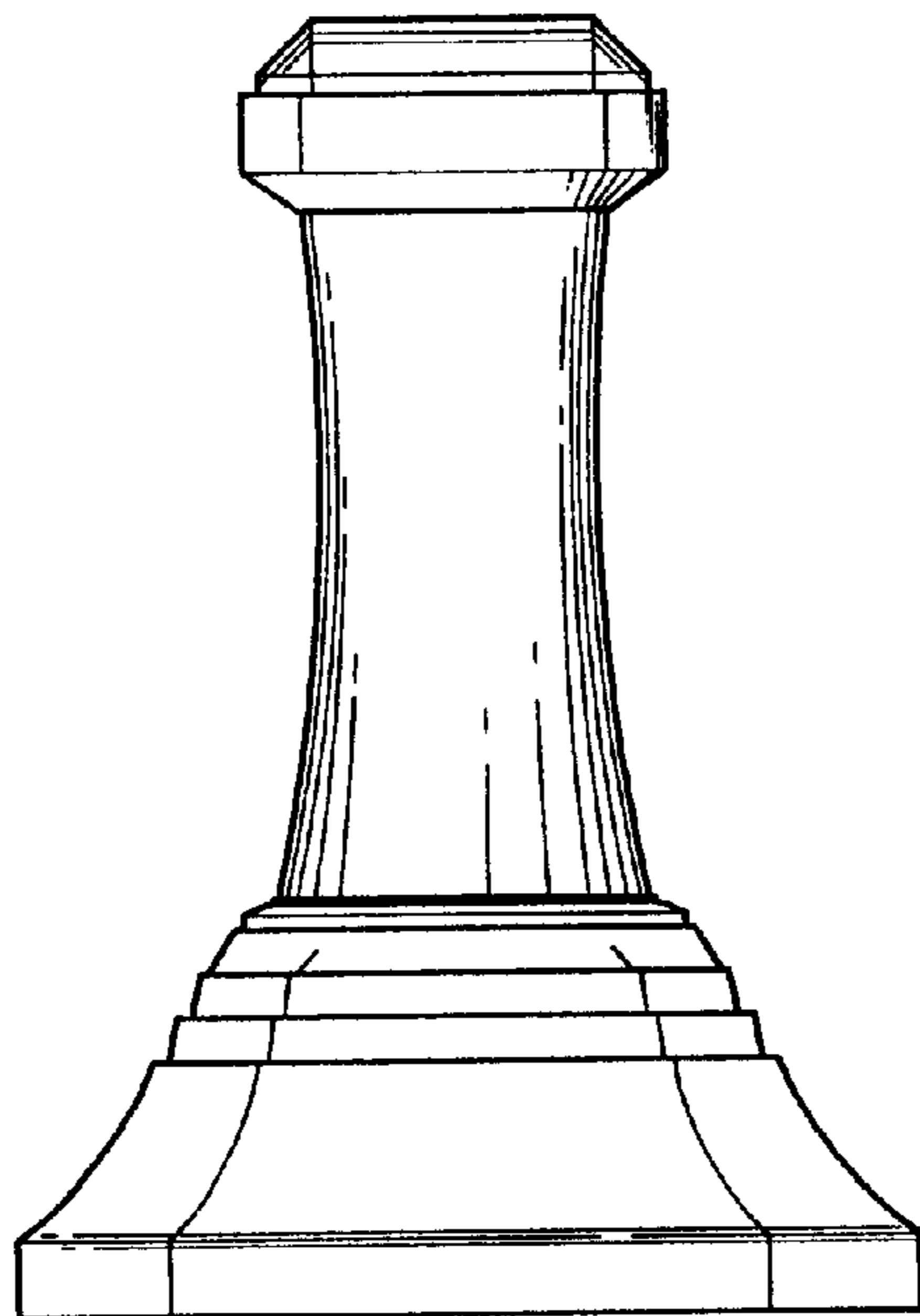


Fig. 4

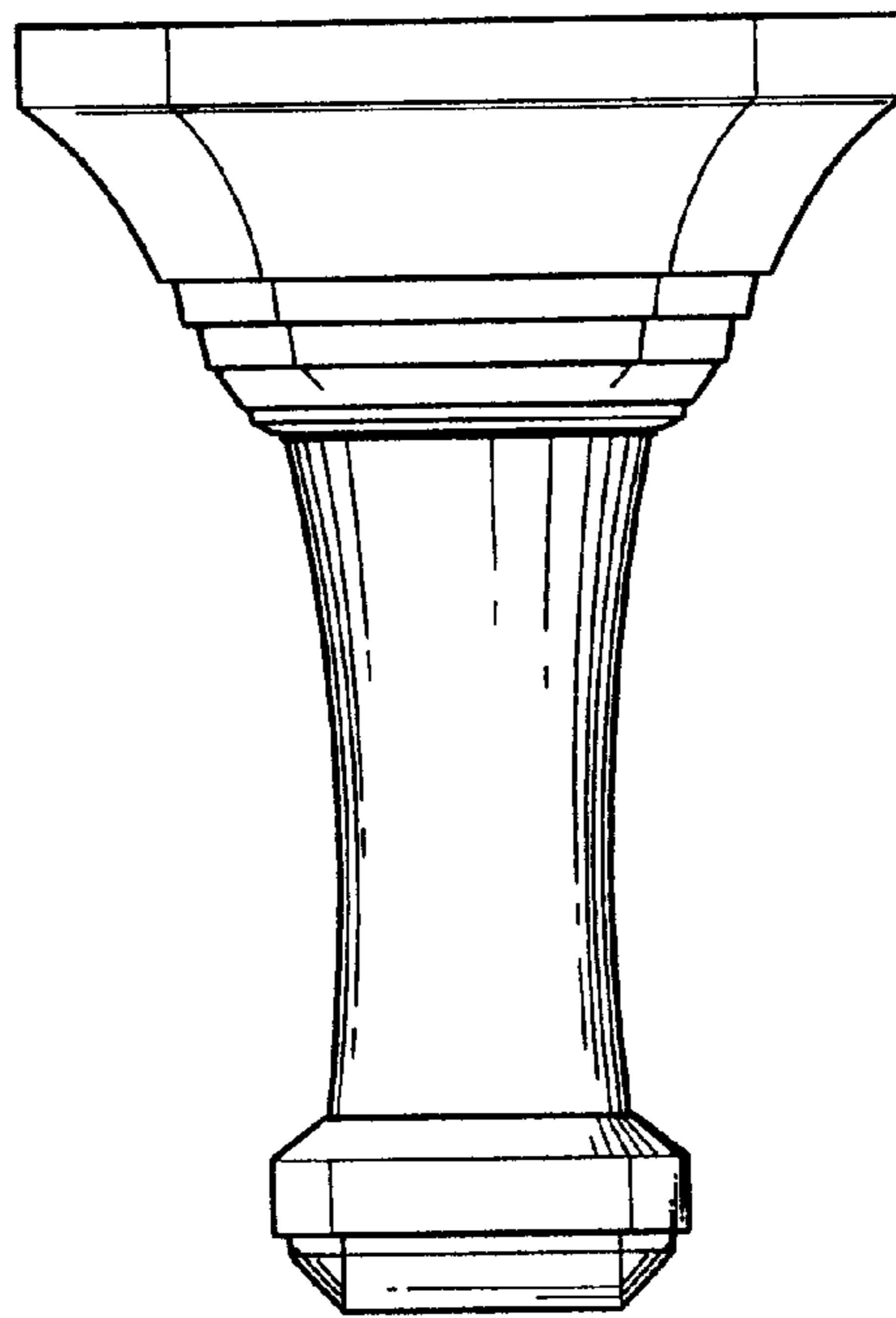


Fig. 6

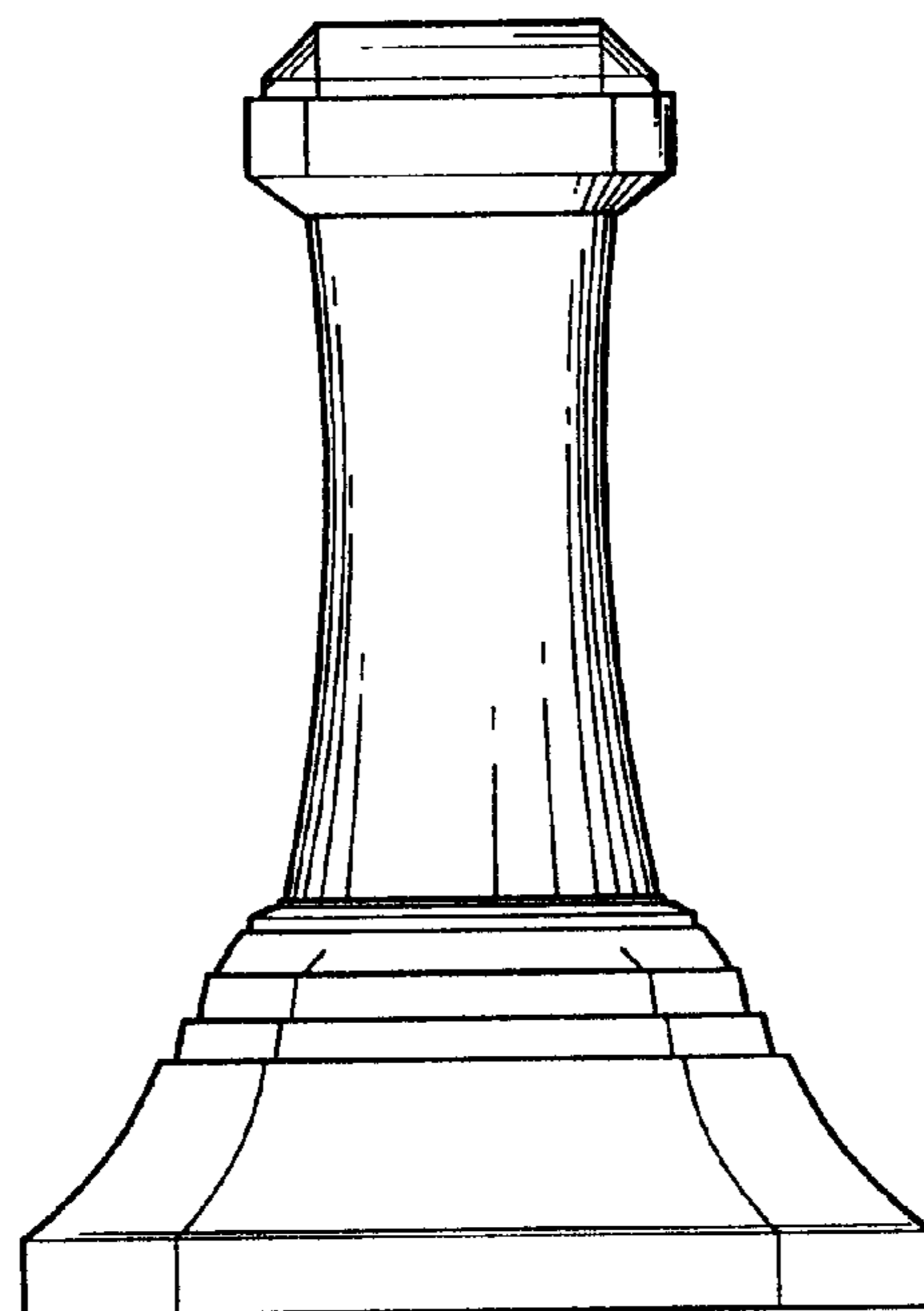


Fig. 7