



US00D515856S

(12) **United States Design Patent** (10) **Patent No.:** **US D515,856 S**
Ripper et al. (45) **Date of Patent:** **** Feb. 28, 2006**

(54) **SEAT BACK**

(75) Inventors: **Brett Ripper**, Chicora, PA (US); **Carl Slear**, Butler, PA (US); **Paul Arnold**, Grove City, PA (US)

(73) Assignee: **Keystone Ridge Designs, Inc.**, Butler, PA (US)

(**) Term: **14 Years**

(21) Appl. No.: **29/188,967**

(22) Filed: **Aug. 26, 2003**

(51) **LOC (8) Cl.** **06-06**

(52) **U.S. Cl.** **D6/502**

(58) **Field of Classification Search** D6/502,
D6/334, 335, 370, 379, 380, 381, 500, 501;
297/232, 452.63

See application file for complete search history.

(56) **References Cited**

U.S. PATENT DOCUMENTS

D330,465 S	*	10/1992	Balmori	D6/369
D406,700 S	*	3/1999	Slear	D6/376
D413,449 S	*	9/1999	Hornyak	D6/370
D413,738 S	*	9/1999	Hornyak	D6/370
D458,044 S	*	6/2002	Slear et al.	D6/370
D465,681 S	*	11/2002	Caldwell	D6/502
D466,342 S	*	12/2002	Caldwell	D6/502
D466,729 S	*	12/2002	Schneider et al.	D6/502
D467,104 S	*	12/2002	Schneider	D6/502
D474,619 S	*	5/2003	Arnold et al.	D6/370
D481,890 S	*	11/2003	Starcher	D6/500
D486,664 S	*	2/2004	Pappas	D6/381
D487,988 S	*	4/2004	Hutton	D6/370

OTHER PUBLICATIONS

DESIGN, "New River Gorge Bridge", (2 pp.) West Virginia.
"Hell Gate Arch Bridge", New York.
"Liberty Bridge", Pittsburgh PA (2 pp).
"Colorado Street Bridge", Pasadena, CA.
"Golden Gate Bridge", San Francisco, CA.
"Bridge Calendar Cover", Roadway Express.

* cited by examiner

Primary Examiner—Gary D. Watson

Assistant Examiner—Terrence Huang

(74) *Attorney, Agent, or Firm*—John Pietrangelo; Heslin Rothenberg Farley & Mesiti P.C.

(57) **CLAIM**

The ornamental design for a seat back, as shown and described.

DESCRIPTION

FIG. 1 is a perspective view of a seat back comprising the new design;

FIG. 2 is a top view thereof;

FIG. 3 is a front elevational view thereof;

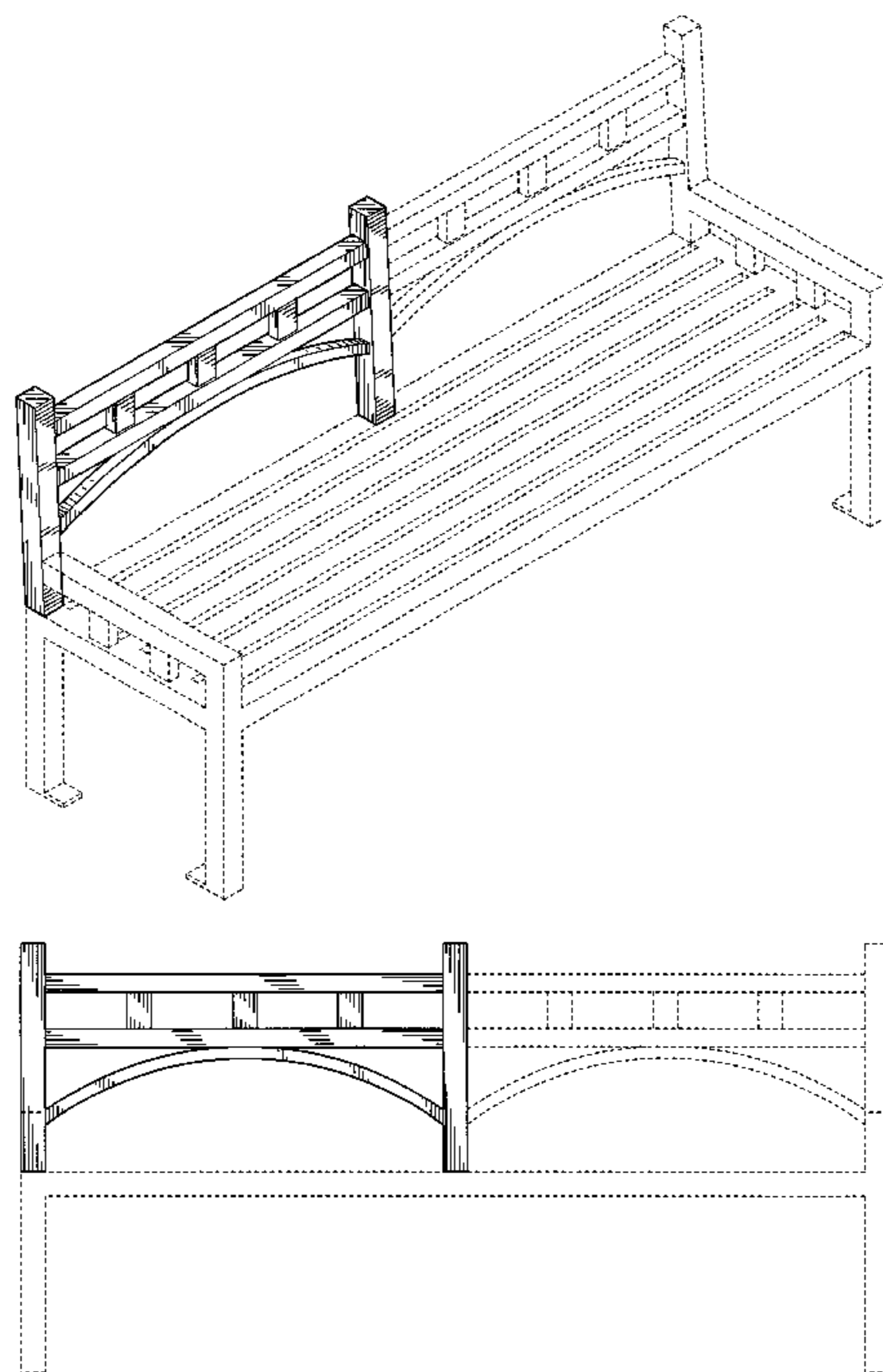
FIG. 4 is a right side elevational view thereof, where the left side elevational view is a mirror image thereof;

FIG. 5 is a rear elevational view thereof; and,

FIG. 6 is a perspective view of an alternate embodiment of a seat back, portions of which are cut away to illustrate indeterminate length, which is the sole difference between it and FIGS. 1 through 5.

The broken lines are for illustrative purposes and form no part of the claimed design.

1 Claim, 4 Drawing Sheets



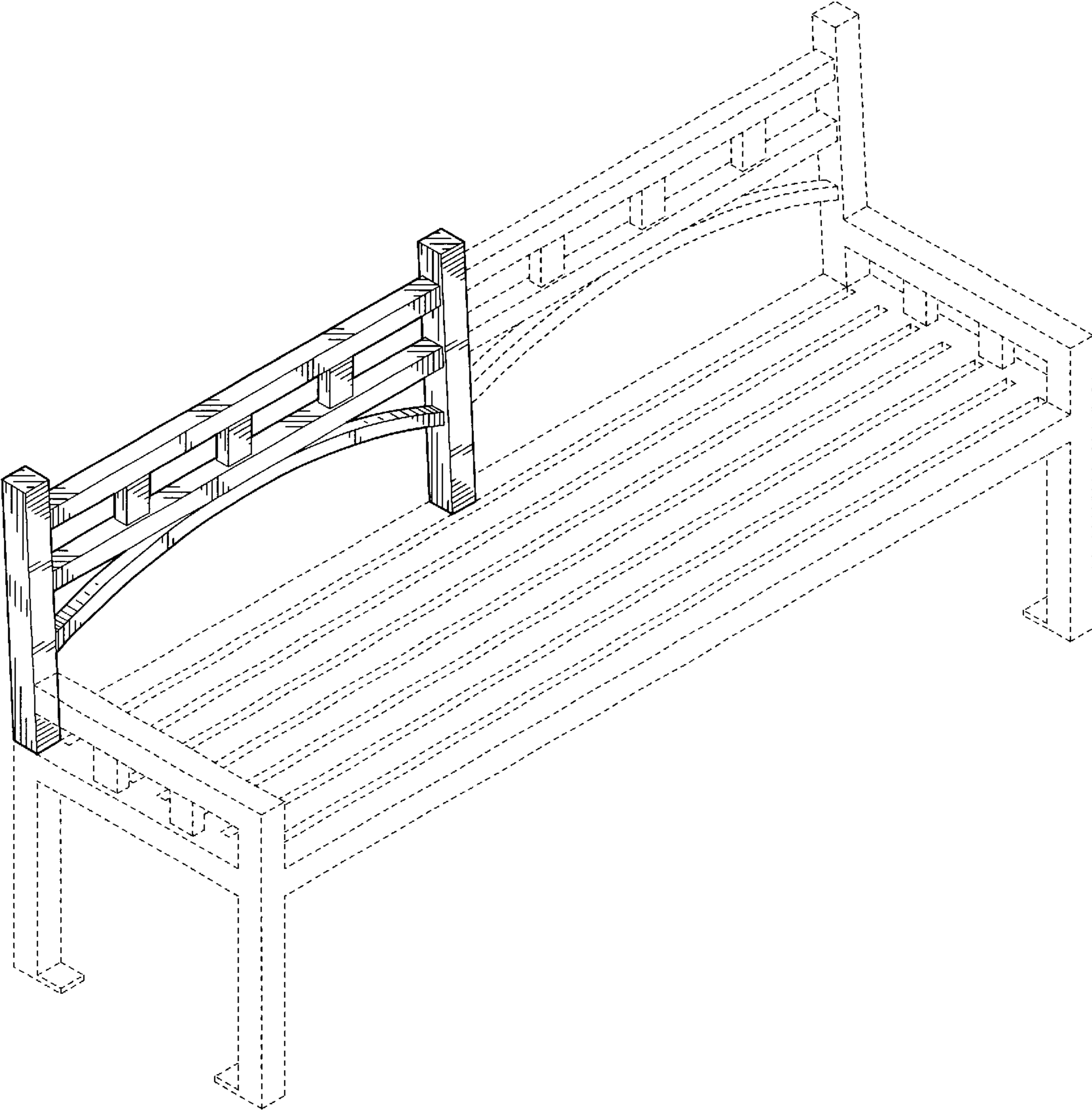


FIG. 1

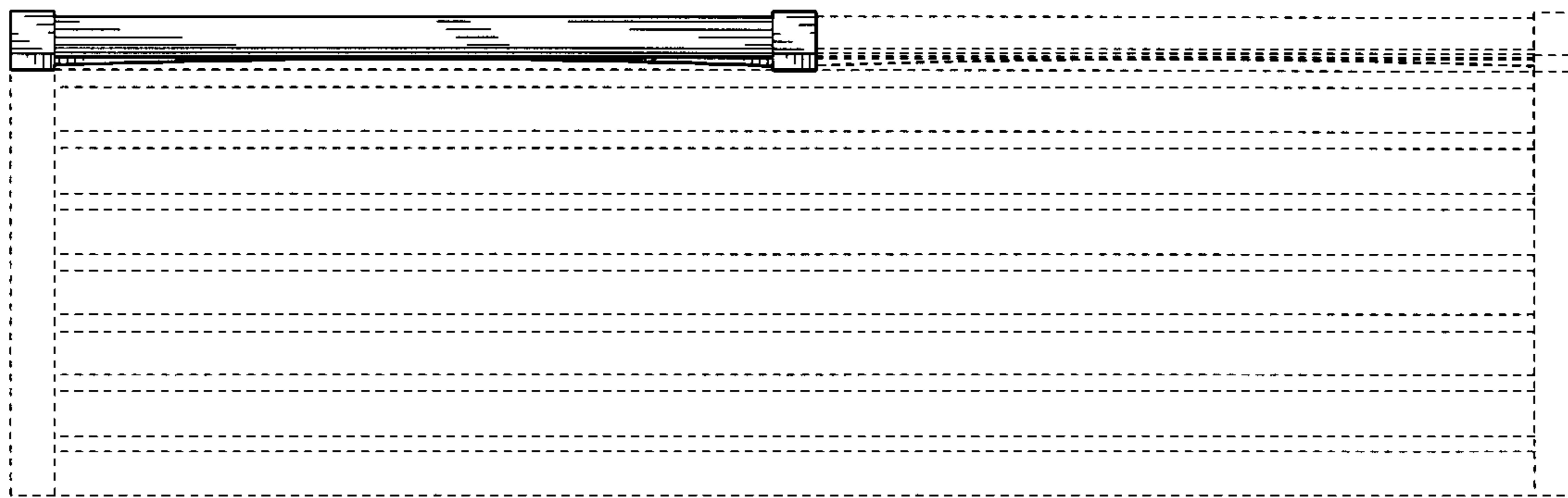


FIG. 2

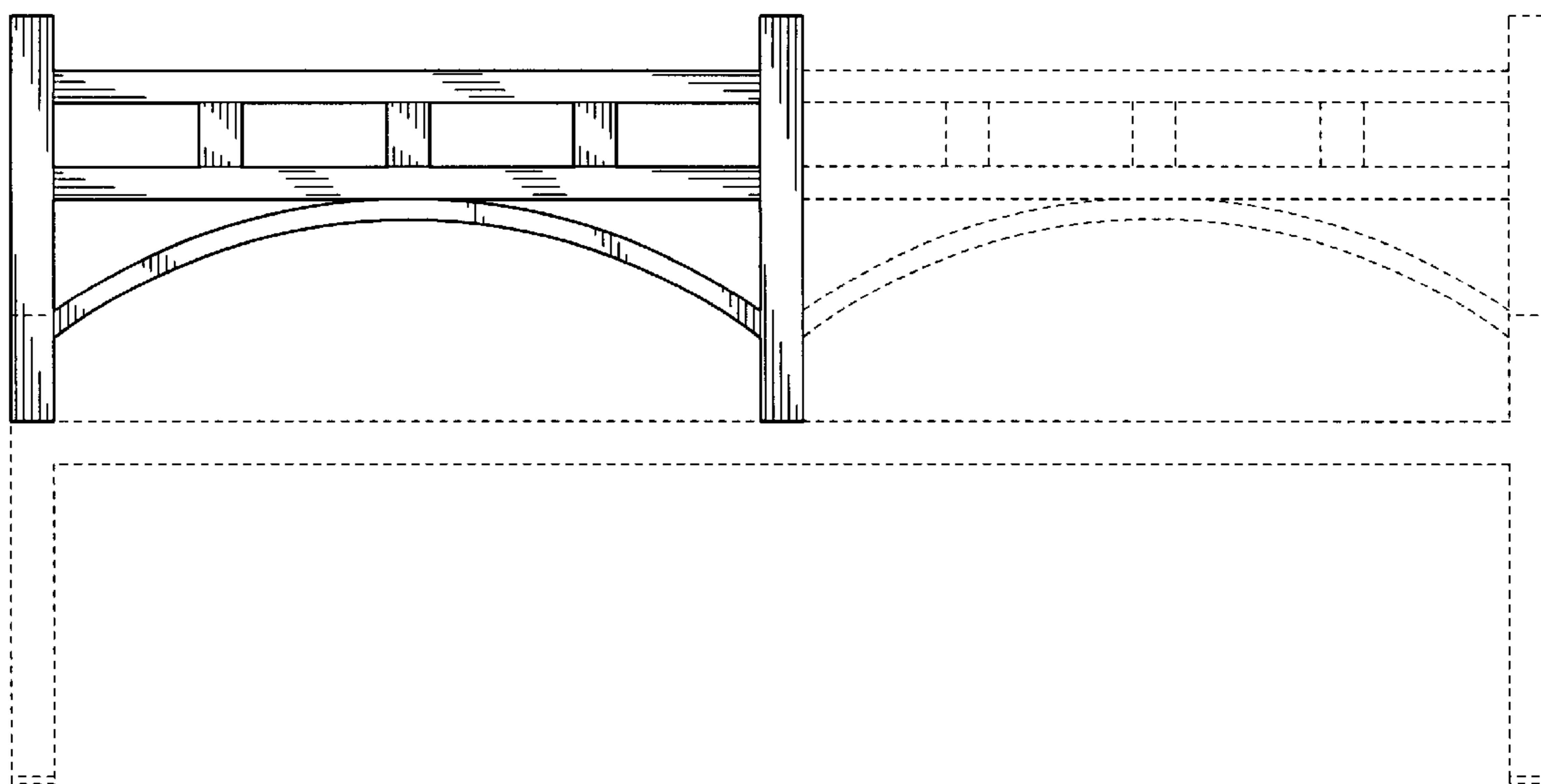


FIG. 3

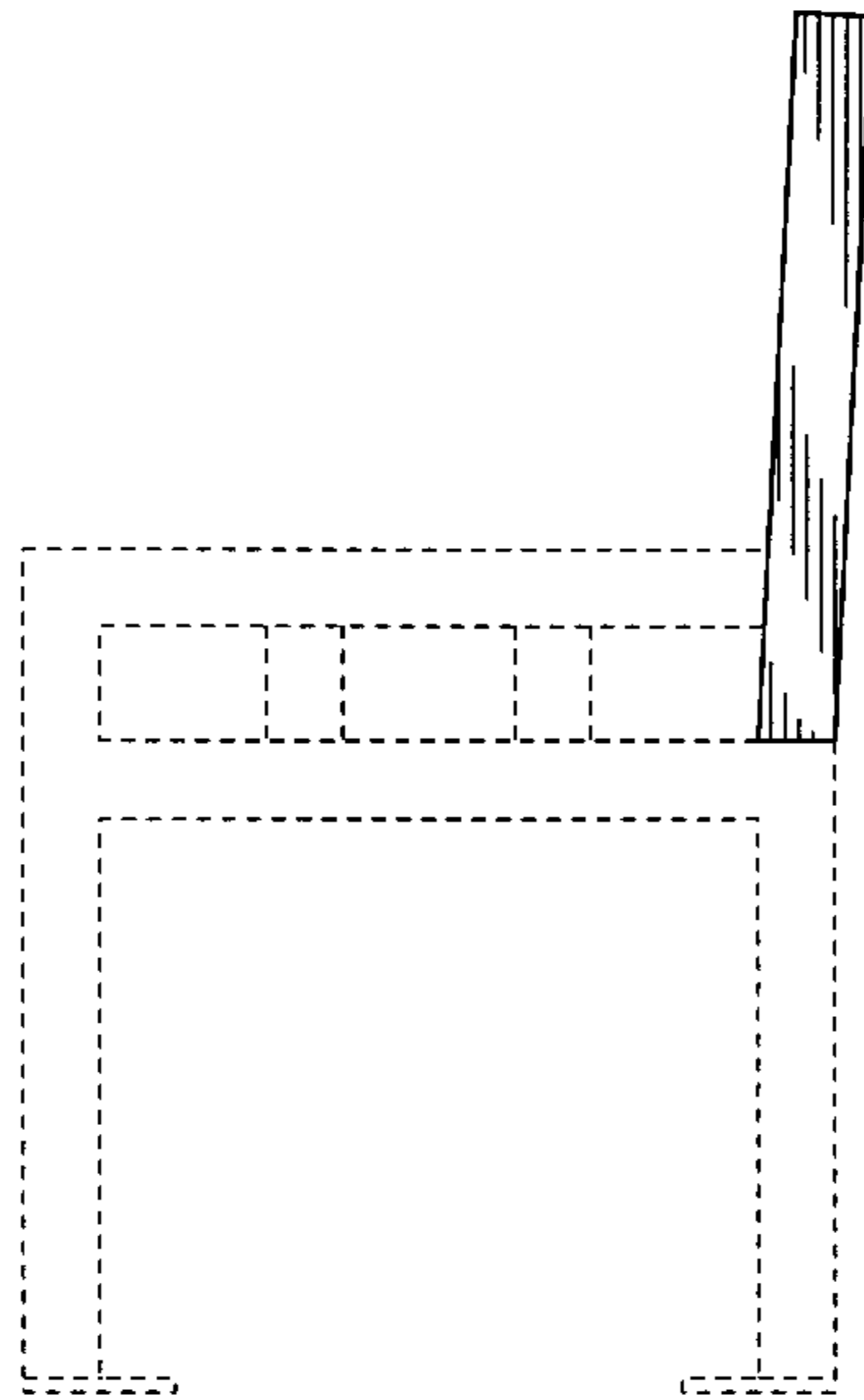


FIG. 4

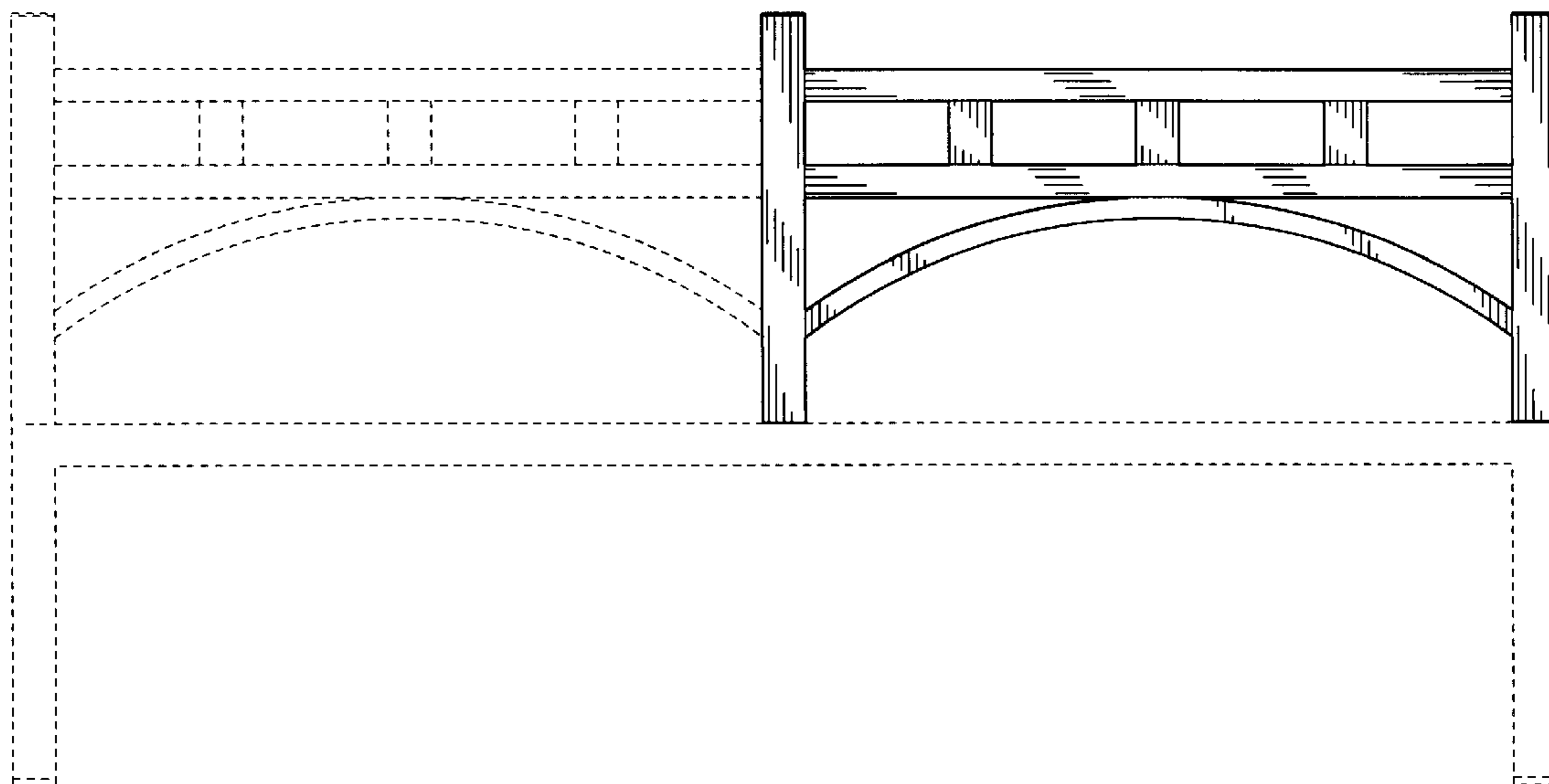


FIG. 5

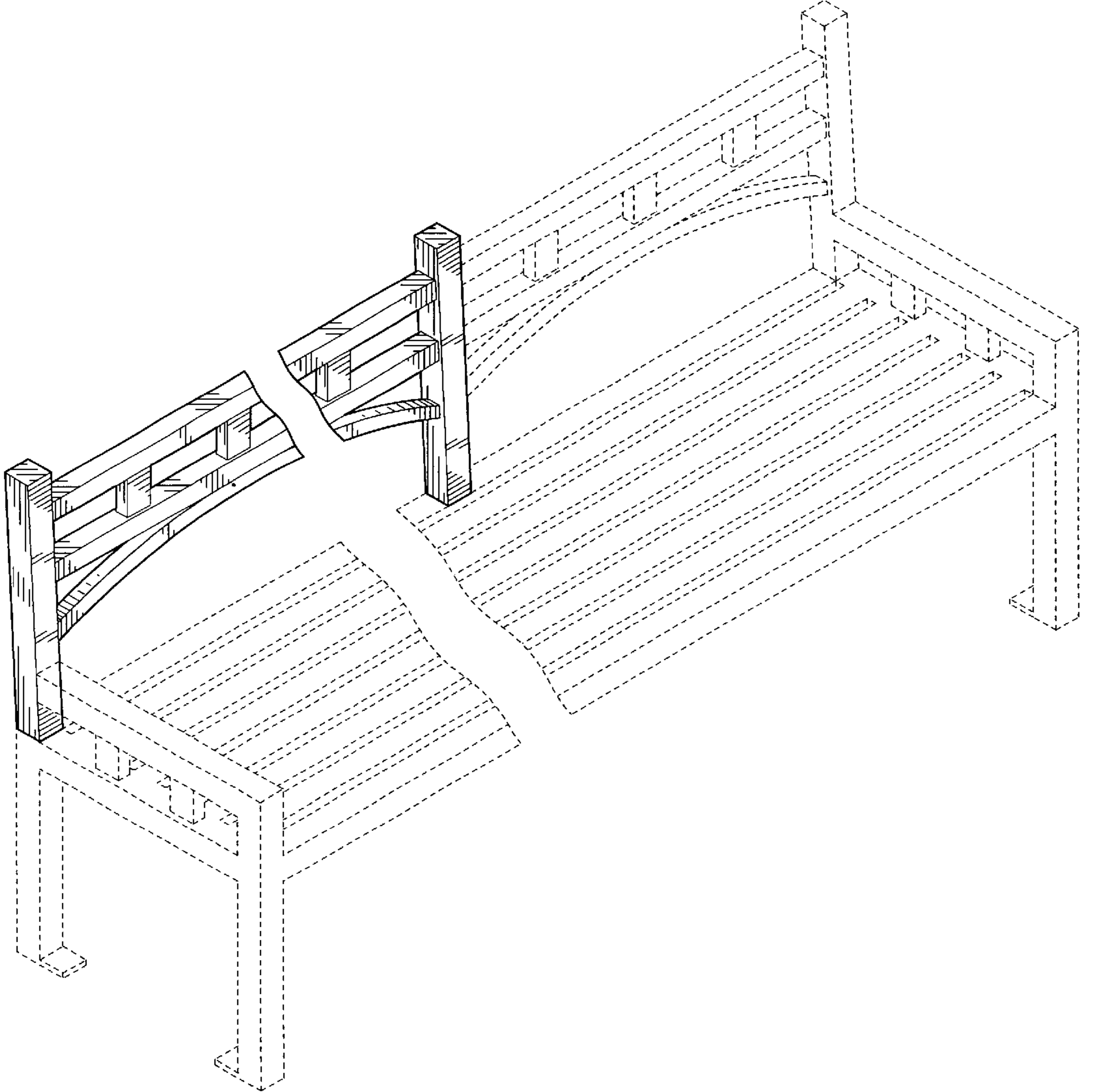


FIG. 6