



US00D515854S

(12) **United States Design Patent** (10) **Patent No.:** **US D515,854 S**  
**Goodworth** (45) **Date of Patent:** **\*\* Feb. 28, 2006**

(54) **CHAIR CUSHIONS**

(75) Inventor: **William H. Goodworth**, Davenport, IA (US)

(73) Assignee: **HNI Technologies Inc.**, Muscatine, IA (US)

(\*\*) Term: **14 Years**

(21) Appl. No.: **29/181,995**

(22) Filed: **May 19, 2003**

**Related U.S. Application Data**

(63) Continuation of application No. 29/172,915, filed on Dec. 18, 2002, now Pat. No. Des. 483,193, and a continuation of application No. 10/323,218, filed on Dec. 18, 2002, now Pat. No. 6,896,328.

(51) **LOC (8) Cl.** ..... **06-01**

(52) **U.S. Cl.** ..... **D6/500; D6/502**

(58) **Field of Classification Search** ..... D6/334-336, D6/366, 371-374, 379, 380, 491, 500-502; 297/411.2, 423.1, 445.1, 446.1, 447.1, 448.2, 297/461

See application file for complete search history.

(56) **References Cited**

**U.S. PATENT DOCUMENTS**

1,950,226 A	3/1934	Cable	297/287
2,602,489 A	7/1952	Holten	297/301.4
3,475,054 A	10/1969	Flint	297/301.3
D279,246 S	6/1985	Murry	D6/501
D303,597 S	9/1989	Kaminski	D6/502
D303,598 S	9/1989	Tornero	D6/502
D309,384 S *	7/1990	Buhk	D6/501
D366,089 S	1/1996	Ackerson, Jr., et al.	D22/118
5,697,673 A	12/1997	Favaretto	297/301.1
D401,453 S	11/1998	Holt	D6/502
D408,161 S	4/1999	Caruso	D6/366
D408,163 S *	4/1999	Olson	D6/366

(Continued)

**FOREIGN PATENT DOCUMENTS**

BE	524012	11/1953
CA	1184108	3/1985
DE	626080	8/1936

**OTHER PUBLICATIONS**

- www.steelcase.com, Jul. 18, 2001, 1 page.
- www.troelsgrum-schwensen.com, Jul. 16, 2001, 2 pages.
- www.keilhauer.com, Jul. 18, 2001, 1 page.
- www.fixturesfurniture.com, Aug. 8, 2001, 2 pages.
- www.virco.com, Jul. 16, 2001, 1 page.
- www.virco.com, Aug. 8, 2001, 1 page.
- www.visualibrary.com, Feb. 27, 2002, 1 page.
- www.troelsgrum-schwensen.com, Mar. 6, 2002, 1 page.
- www.tribu-design.com, Aug. 13, 2001, 1 page.
- www.plantationpatterns.com, Oct. 1, 2001, 2 pages.
- www.unitedchair.com, Jul. 2001, 1 page.
- www.meritalia.it.it/sedie/eng, Aug. 16, 2001, 1 page.
- www.troelsgrum-schwensen.com, Jul. 24, 2001, 1 page.
- www.scottriceok.com, Jul. 16, 2001, 1 page.
- www.psgerry.com, Sep. 27, 2001, 2 pages.

*Primary Examiner*—Caron D. Veynar

*Assistant Examiner*—Vy Nguyen

(74) *Attorney, Agent, or Firm*—Joseph H. Golant; Jones Day

(57) **CLAIM**

The ornamental design for chair cushions, as shown and described.

**DESCRIPTION**

FIG. 1 is a front isometric view of the chair cushions showing the new design.

FIG. 2 is a front elevation view thereof.

FIG. 3 is a rear elevation view thereof.

FIG. 4 is a right side elevation view thereof.

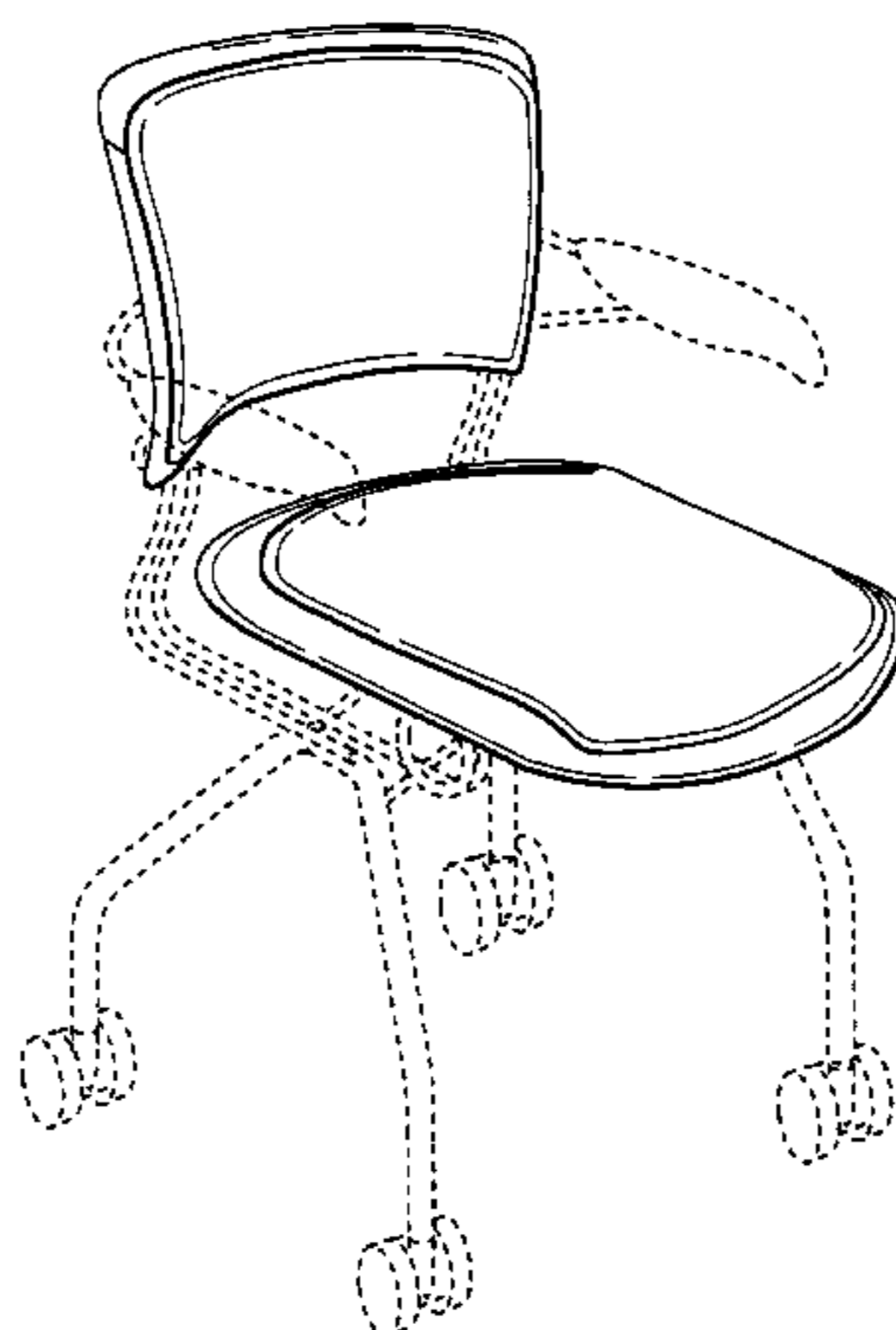
FIG. 5 is a left side elevation view thereof.

FIG. 6 is a top plan view thereof; and,

FIG. 7 is a bottom plan view thereof.

The broken line showing chair arms, frame and legs are for illustrative purposes only and form no part of the claimed design.

**1 Claim, 4 Drawing Sheets**



# US D515,854 S

Page 2

---

## U.S. PATENT DOCUMENTS

D425,322 S	*	5/2000	Chu	.....	D6/366	D453,633 S		2/2002	Diffrient	.....	D6/366
D426,966 S	*	6/2000	Chu	.....	D6/366	D456,627 S	*	5/2002	Pearce et al.	.....	D6/366
D435,746 S		1/2001	Diffrient	.....	D6/501	D483,193 S	*	12/2003	Goodworth	.....	D6/366
D437,702 S	*	2/2001	Koepke et al.	.....	D6/366	D495,155 S	*	8/2004	Baldanzi et al.	.....	D6/366
D438,392 S		3/2001	Lucci et al.	.....	D6/366	D500,211 S	*	12/2004	Koch et al.	.....	D6/366
D439,452 S		3/2001	Turner et al.	.....	D6/502	D501,612 S	*	2/2005	Koch et al.	.....	D6/500
D440,797 S		4/2001	Norman	.....	D6/501	D502,016 S	*	2/2005	Goodworth	.....	D6/366
D447,351 S		9/2001	Sato	.....	D6/366	2002/0005658 A1		1/2002	Piretti		

\* cited by examiner

*Fig. 1*

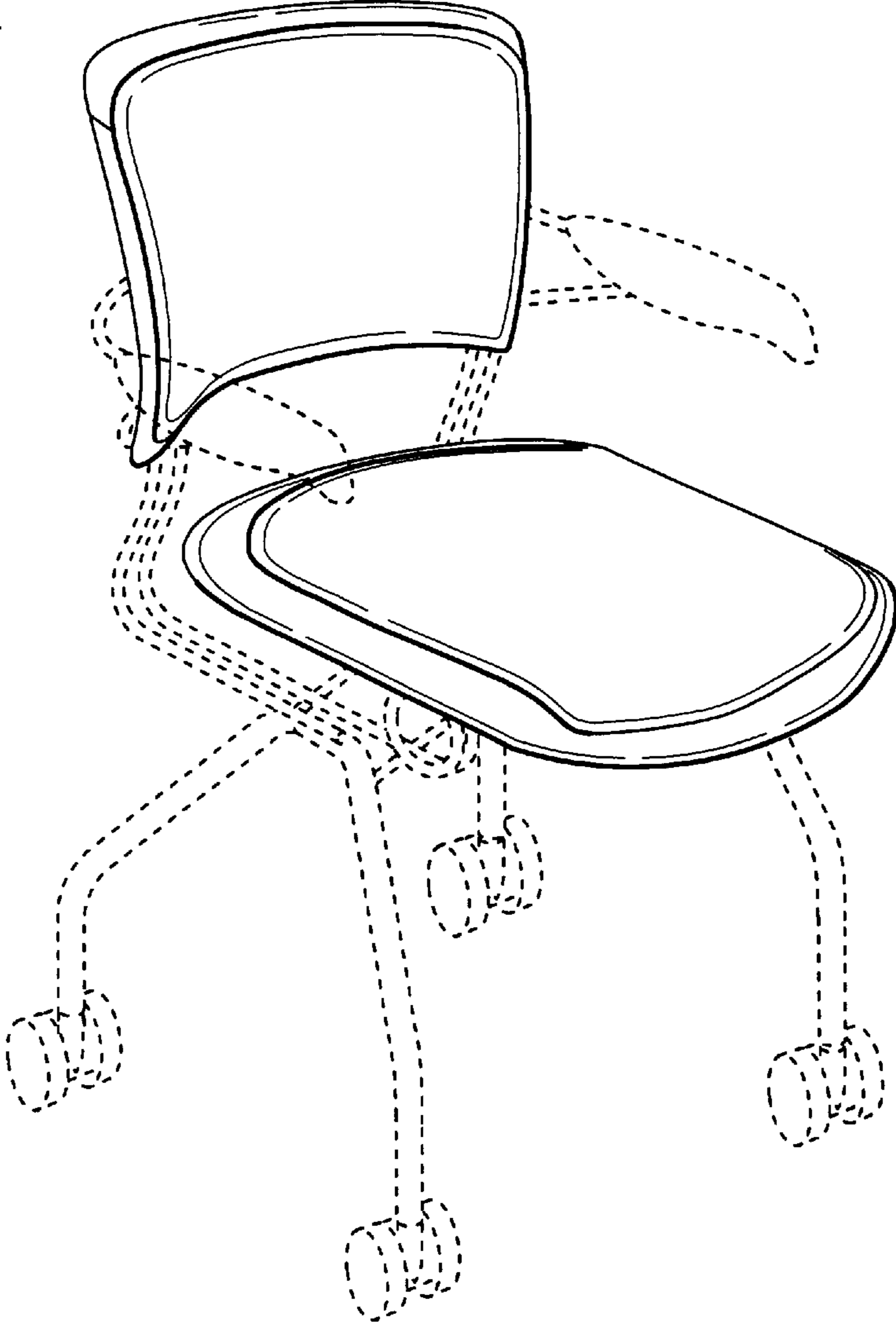


Fig. 3

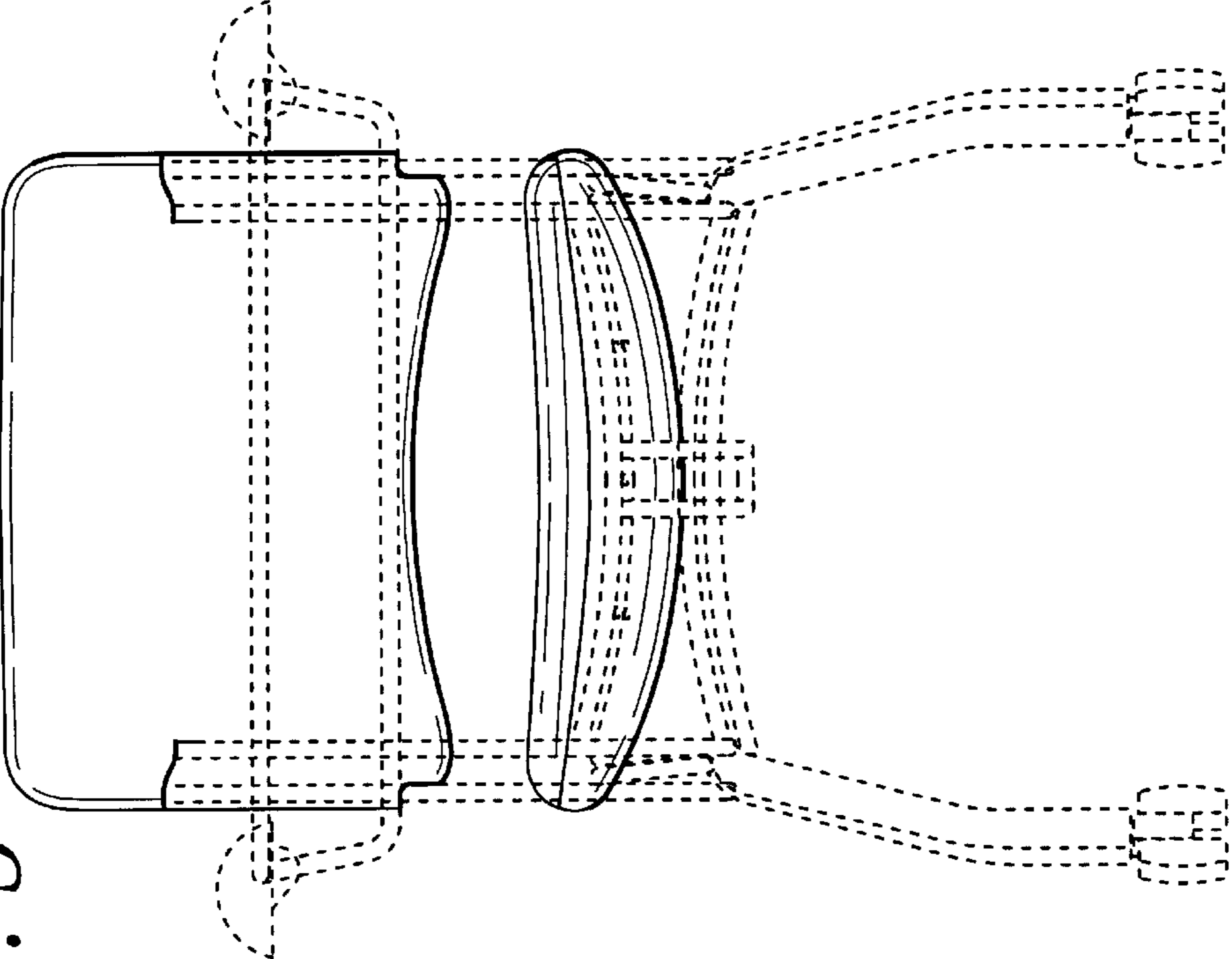


Fig. 2

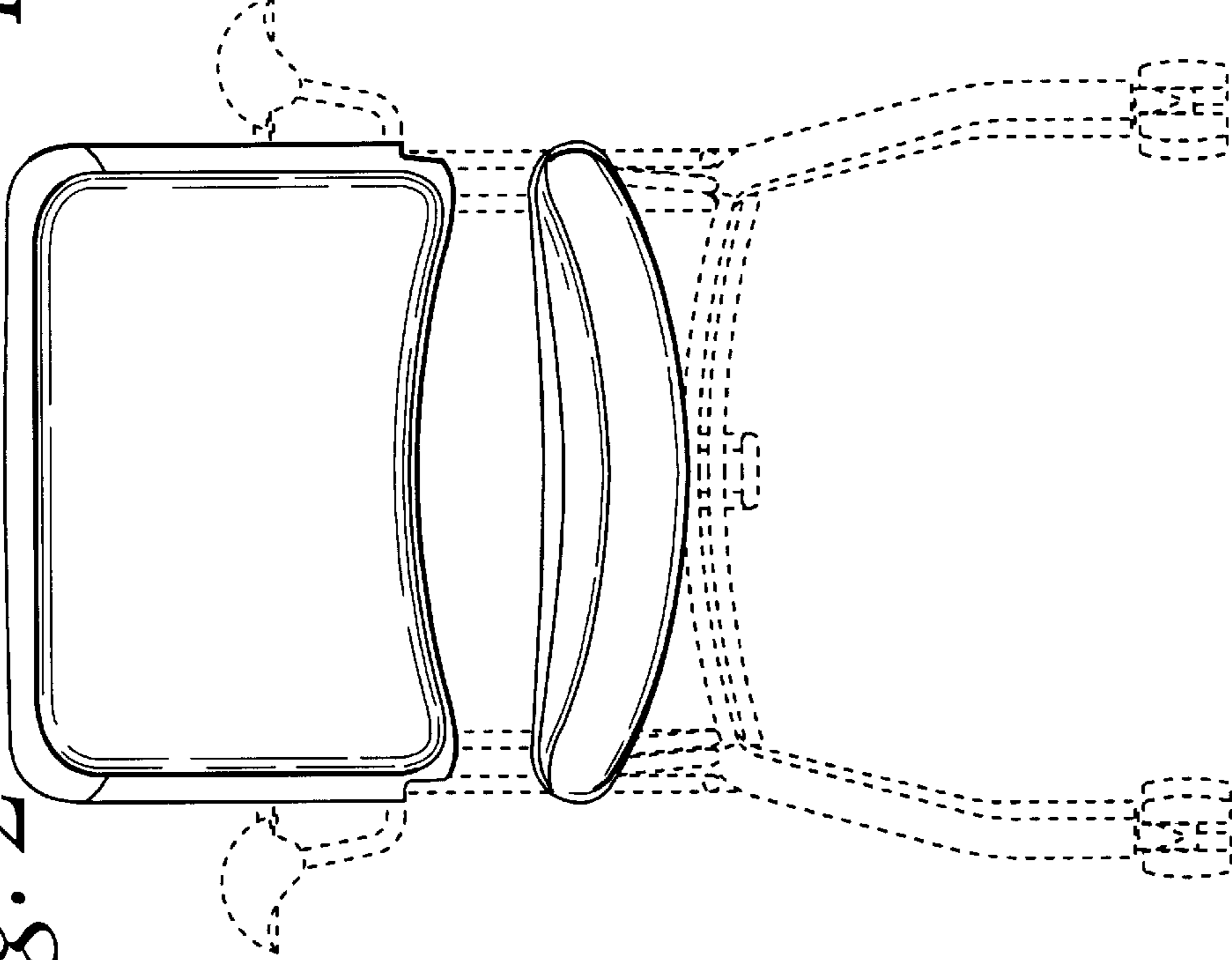


Fig. 5

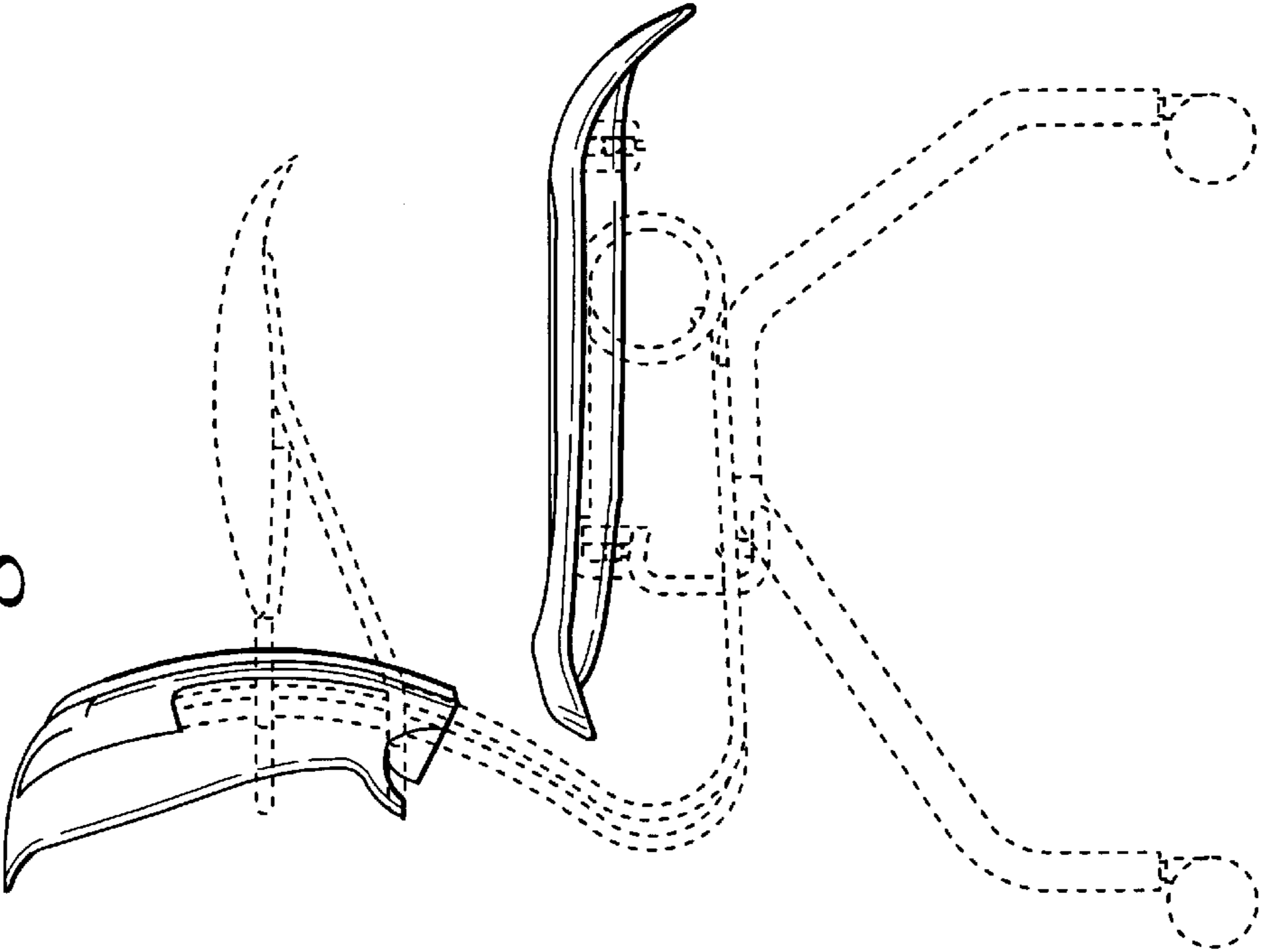


Fig. 4

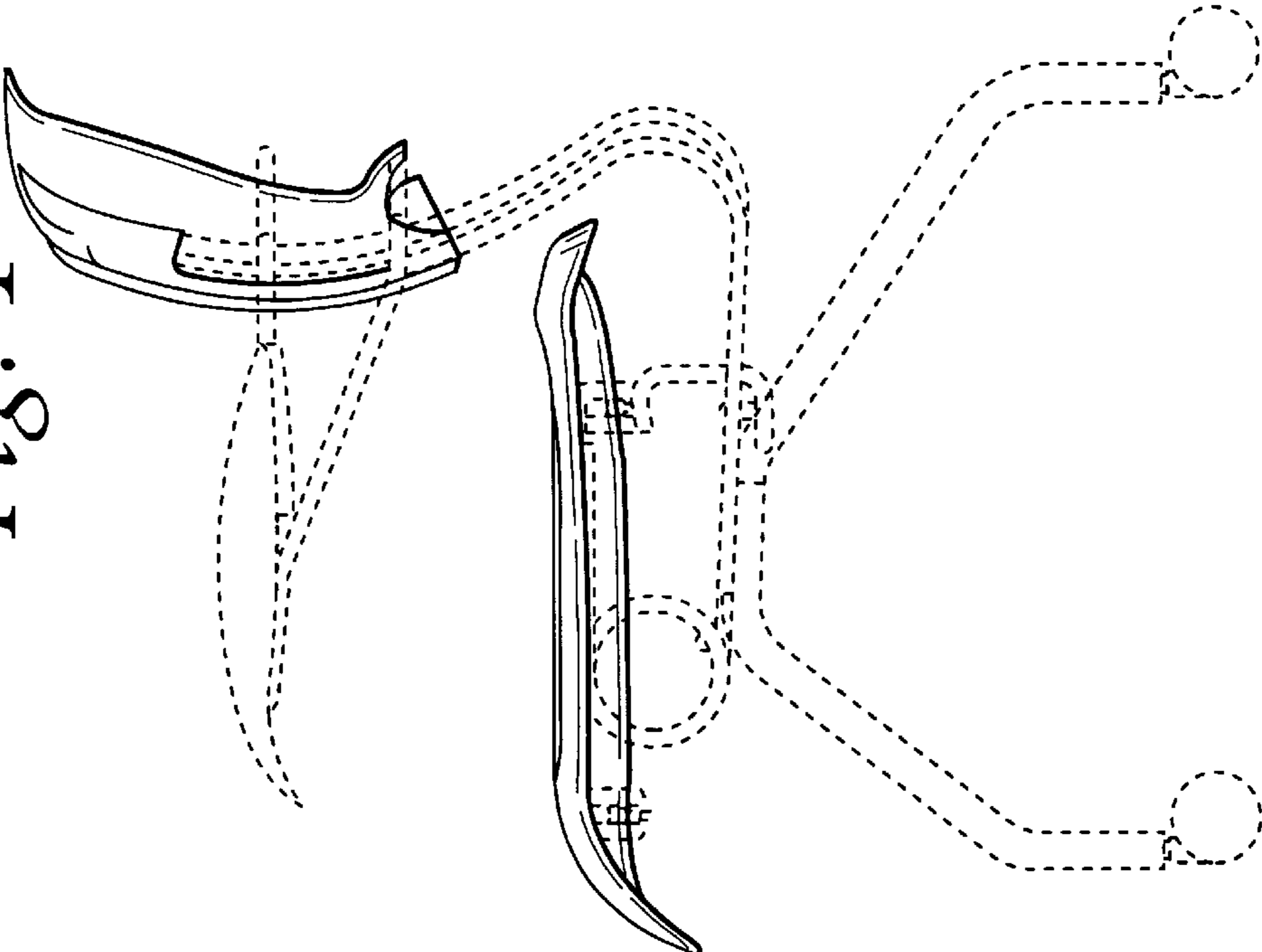


Fig. 7

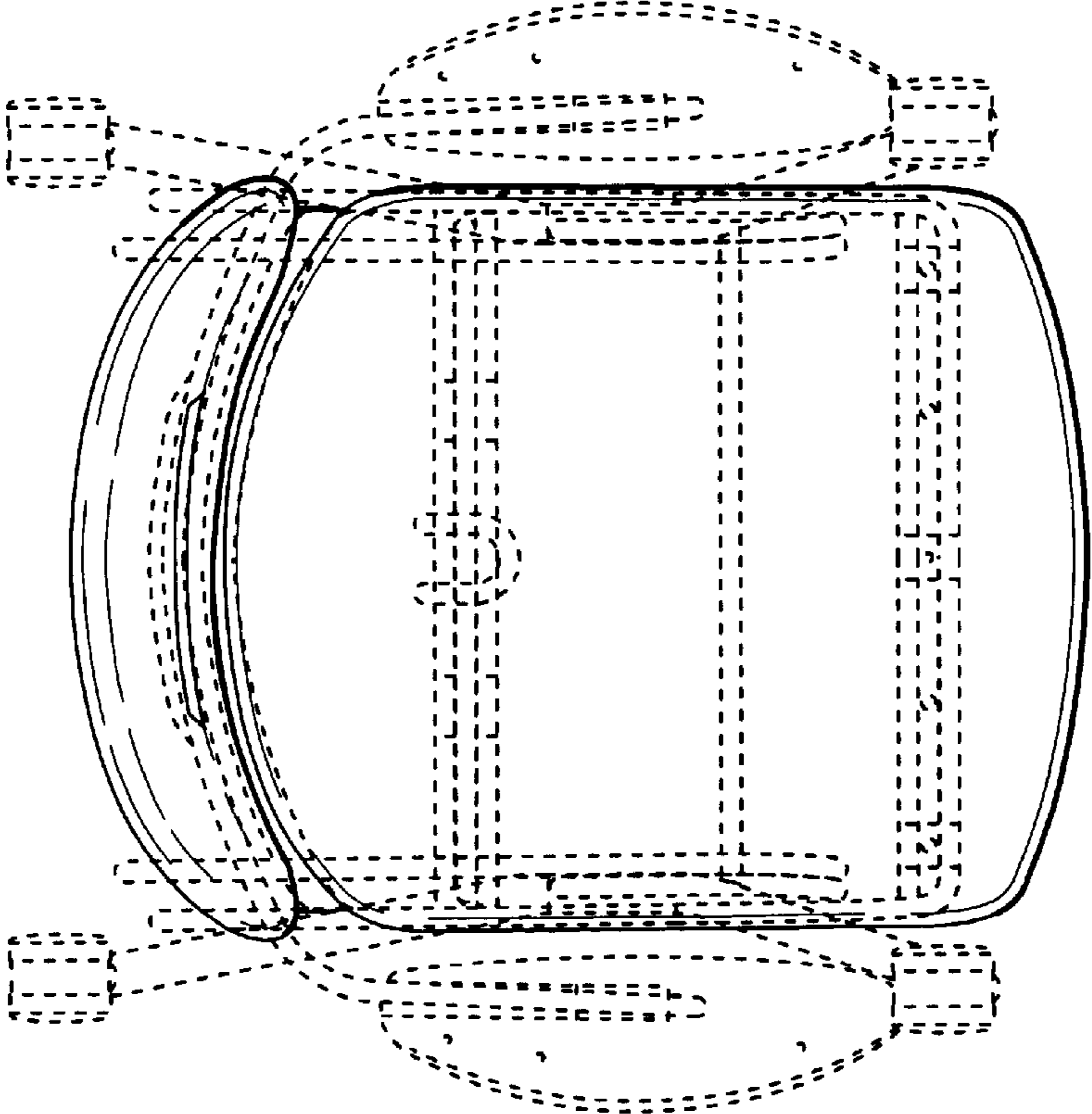


Fig. 6

