



US00D515853S

(12) **United States Design Patent**
Ashby

(10) **Patent No.:** **US D515,853 S**

(45) **Date of Patent:** **** *Feb. 28, 2006**

(54) **SUPPORT FOR A TABLE TOP**

(75) **Inventor:** **Kent Ashby**, Logan, UT (US)

(73) **Assignee:** **Lifetime Products, Inc.**, Clearfield, UT (US)

(*) **Notice:** This patent is subject to a terminal disclaimer.

(**) **Term:** **14 Years**

(21) **Appl. No.:** **29/223,012**

(22) **Filed:** **Feb. 8, 2005**

Related U.S. Application Data

(63) Continuation of application No. 10/789,859, filed on Feb. 27, 2004.

(51) **LOC (8) Cl.** **06-06**

(52) **U.S. Cl.** **D6/499**

(58) **Field of Classification Search** D6/480-489, D6/422, 495-499, 429-431; 108/130, 153.1, 108/155, 156, 157.1, 161, 115, 118, 119, 108/120, 131; 248/188, 188.1, 188.7, 188.8, 248/164, 432

See application file for complete search history.

(56) **References Cited**

U.S. PATENT DOCUMENTS

- D132,875 S 6/1942 Cooper
- 2,675,286 A 4/1954 Derman
- 2,692,807 A * 10/1954 Cordola 108/120
- D175,939 S 11/1955 Gettelman
- 2,912,775 A 11/1959 Gettelman
- 3,031,243 A * 4/1962 Crevoi 108/120

- 3,224,389 A * 12/1965 Kent 108/119
- D233,392 S * 10/1974 Hutchison D6/420
- 4,168,669 A 9/1979 Arnoff
- 4,951,576 A 8/1990 Cobos et al.
- 5,272,825 A 12/1993 Simpson
- 5,353,715 A 10/1994 Luyk
- 5,358,204 A * 10/1994 Terada 248/164
- D358,954 S 6/1995 Leduc
- D418,997 S 1/2000 Leveen et al.
- D427,649 S 7/2000 Mak
- 6,327,800 B1 12/2001 Daams
- D467,754 S 12/2002 Chen
- D468,135 S 1/2003 Ashby et al.
- 6,530,331 B2 3/2003 Stanford
- 6,550,404 B2 4/2003 Stanford
- D498,952 S * 11/2004 Strong et al. D6/499
- 2002/0152934 A1 10/2002 Haney

* cited by examiner

Primary Examiner—Janice E. Seeger

(74) *Attorney, Agent, or Firm*—Workman Nydegger

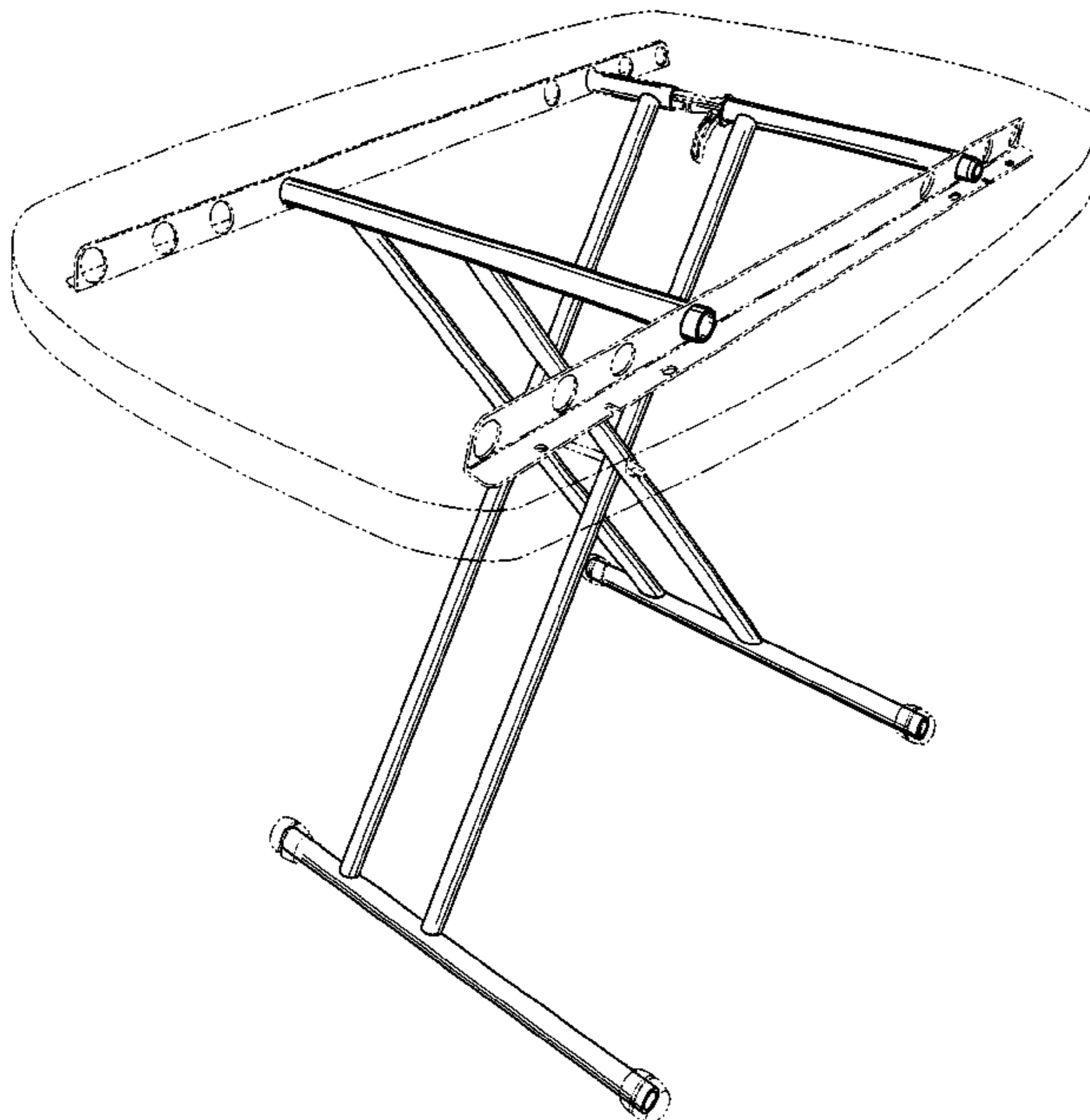
(57) **CLAIM**

The ornamental design for a support for a table top, as shown and described

DESCRIPTION

FIG. 1 is a perspective view of a support for a table top; FIG. 2 is a top view of the support for a table top; FIG. 3 is a left side view of the support for a table top; FIG. 4 is a bottom view of the support for a table top; FIG. 5 is a right side view of the support for a table top; and, FIG. 6 is a front view of the support for a table top. The broken lines shown in the figures are for illustrative purposes only and form no part of the claimed design.

1 Claim, 4 Drawing Sheets



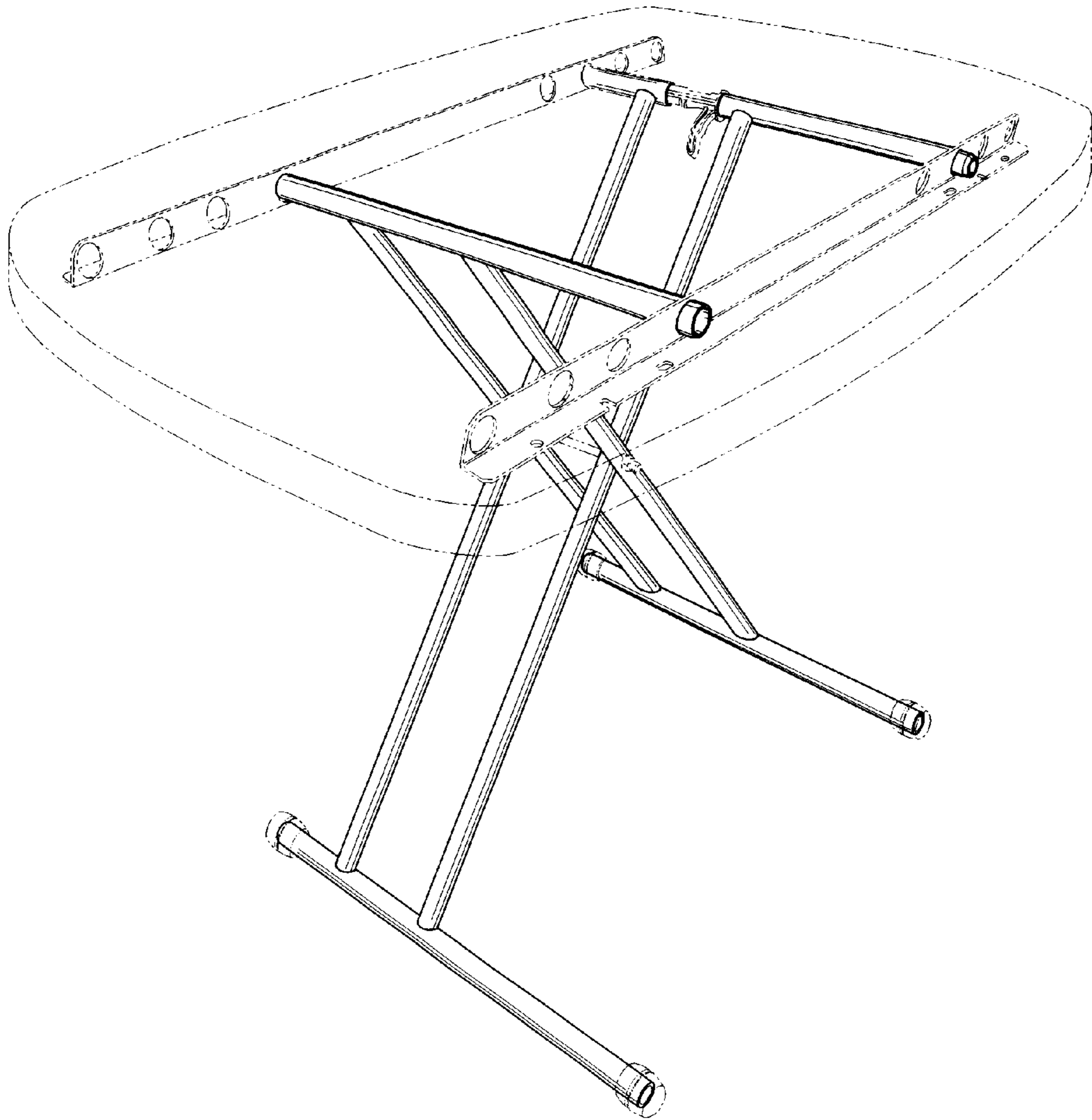


Fig. 1

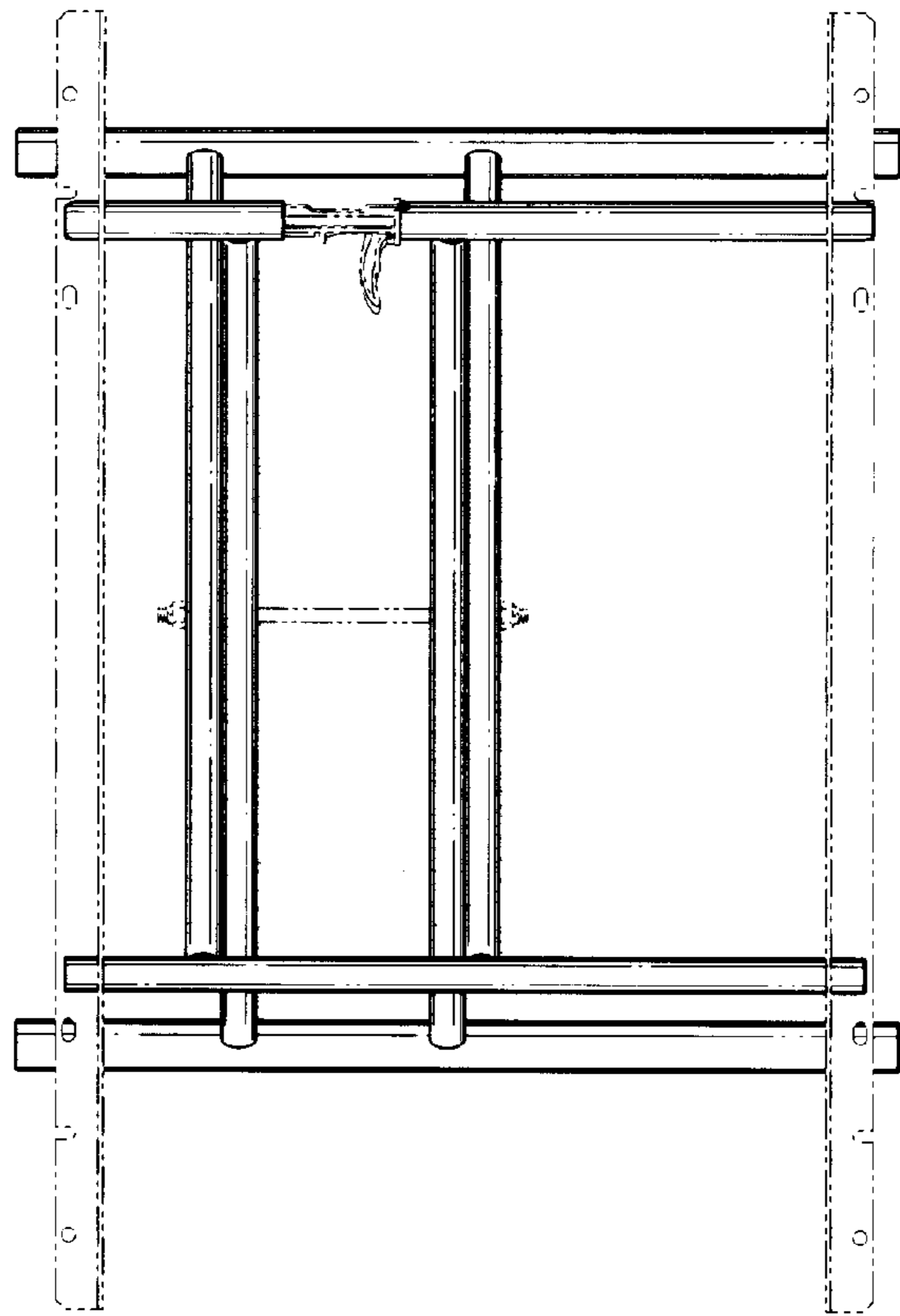


Fig. 2

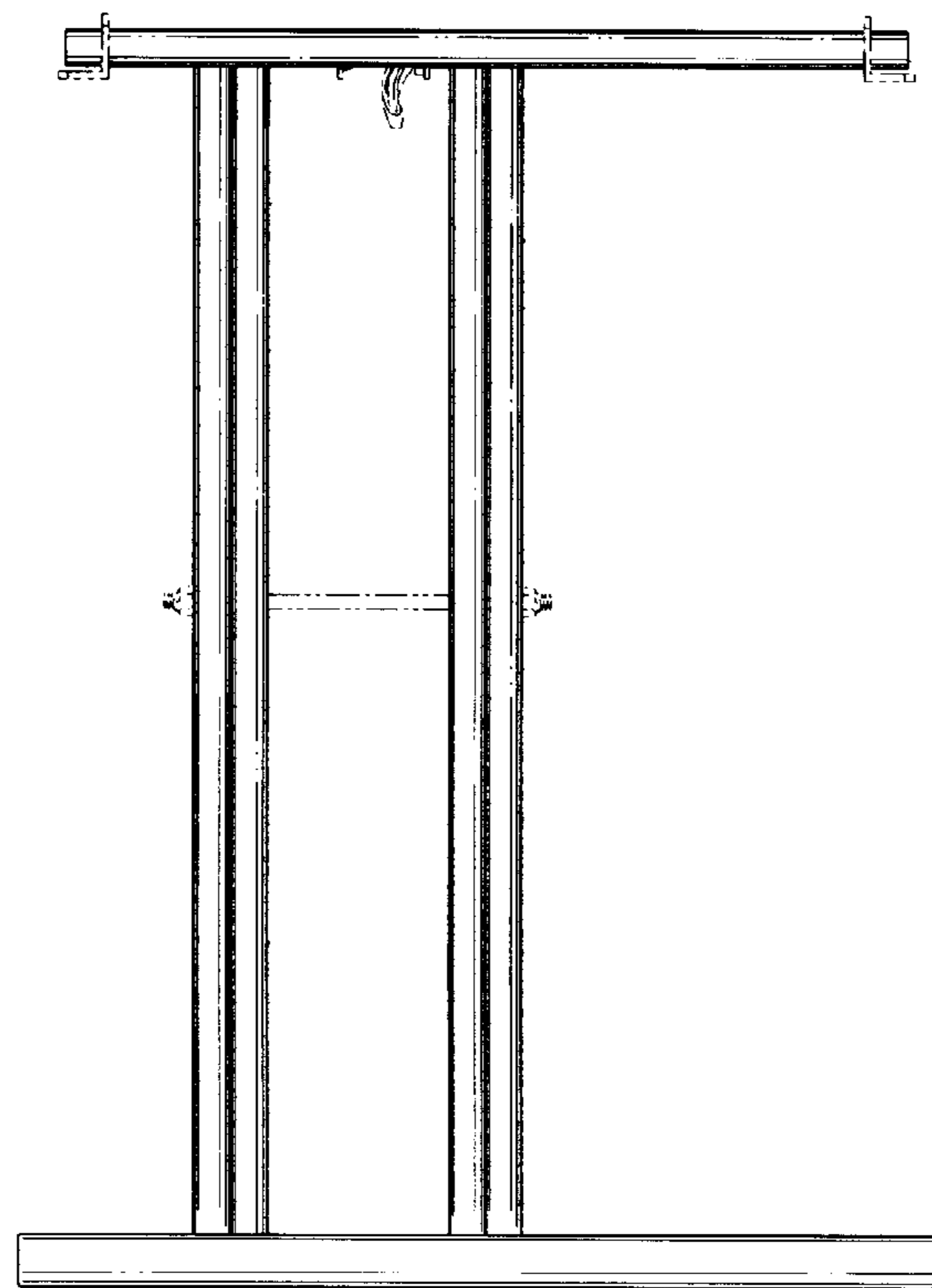


Fig. 3

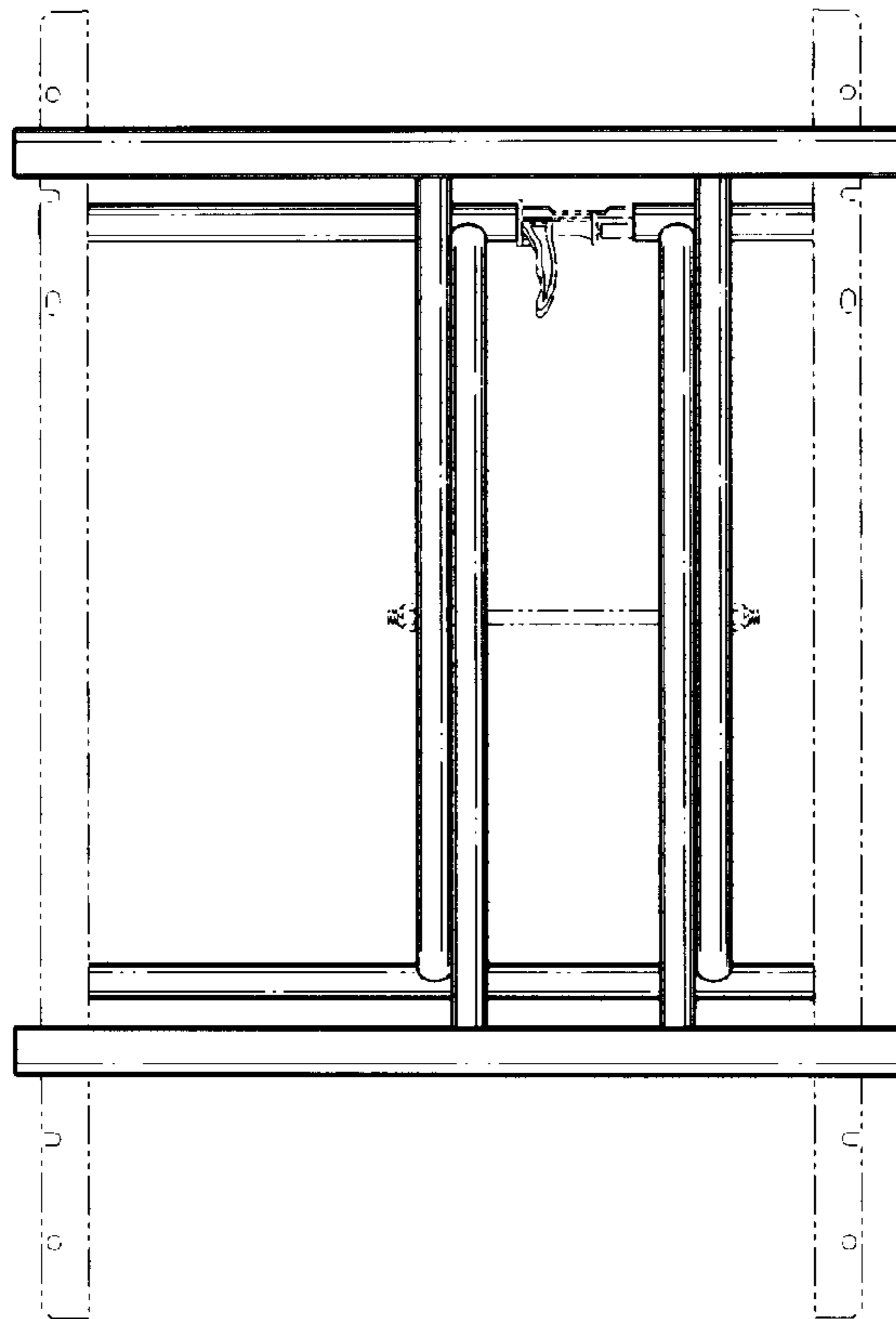


Fig. 4

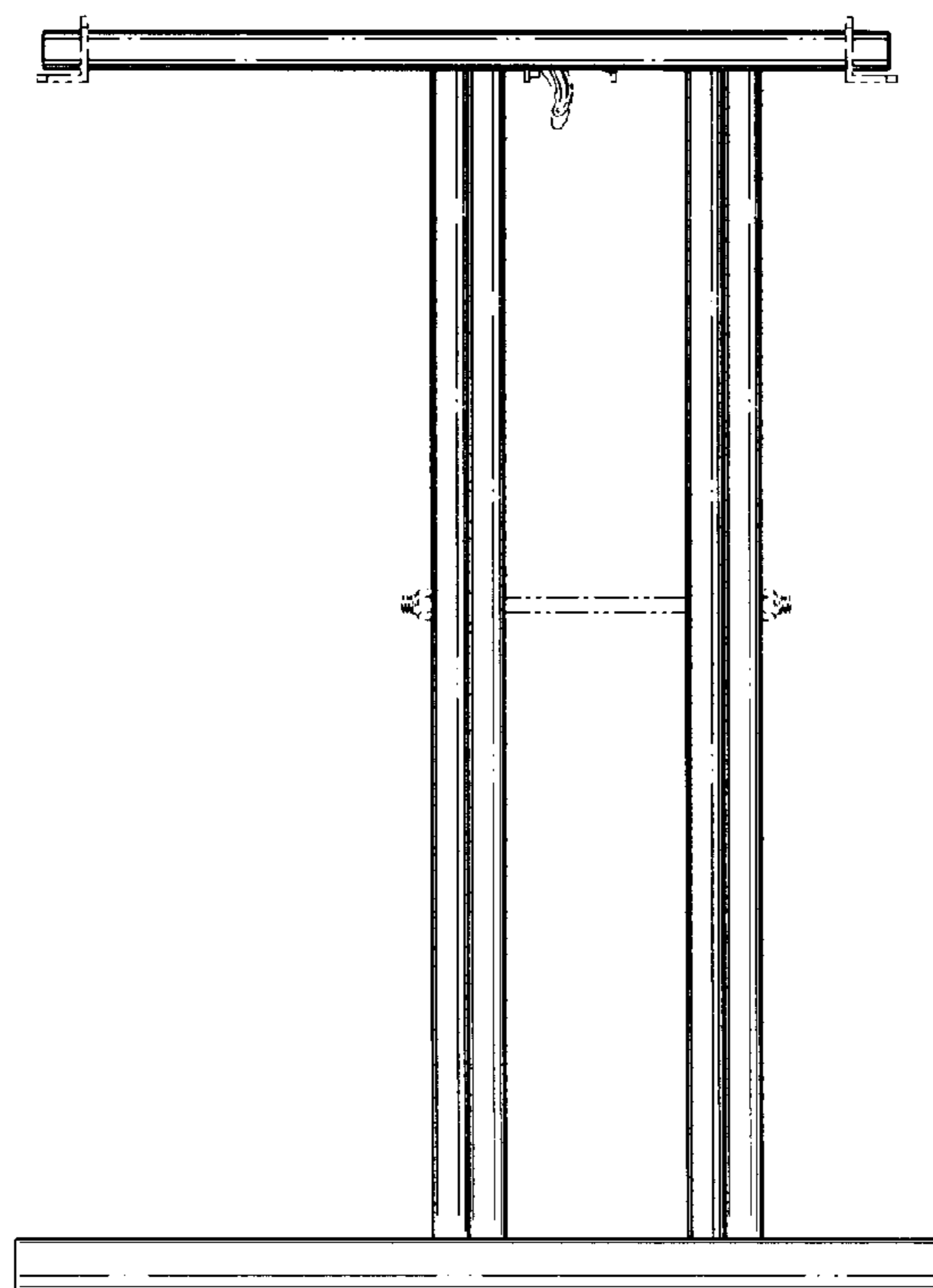


Fig. 5

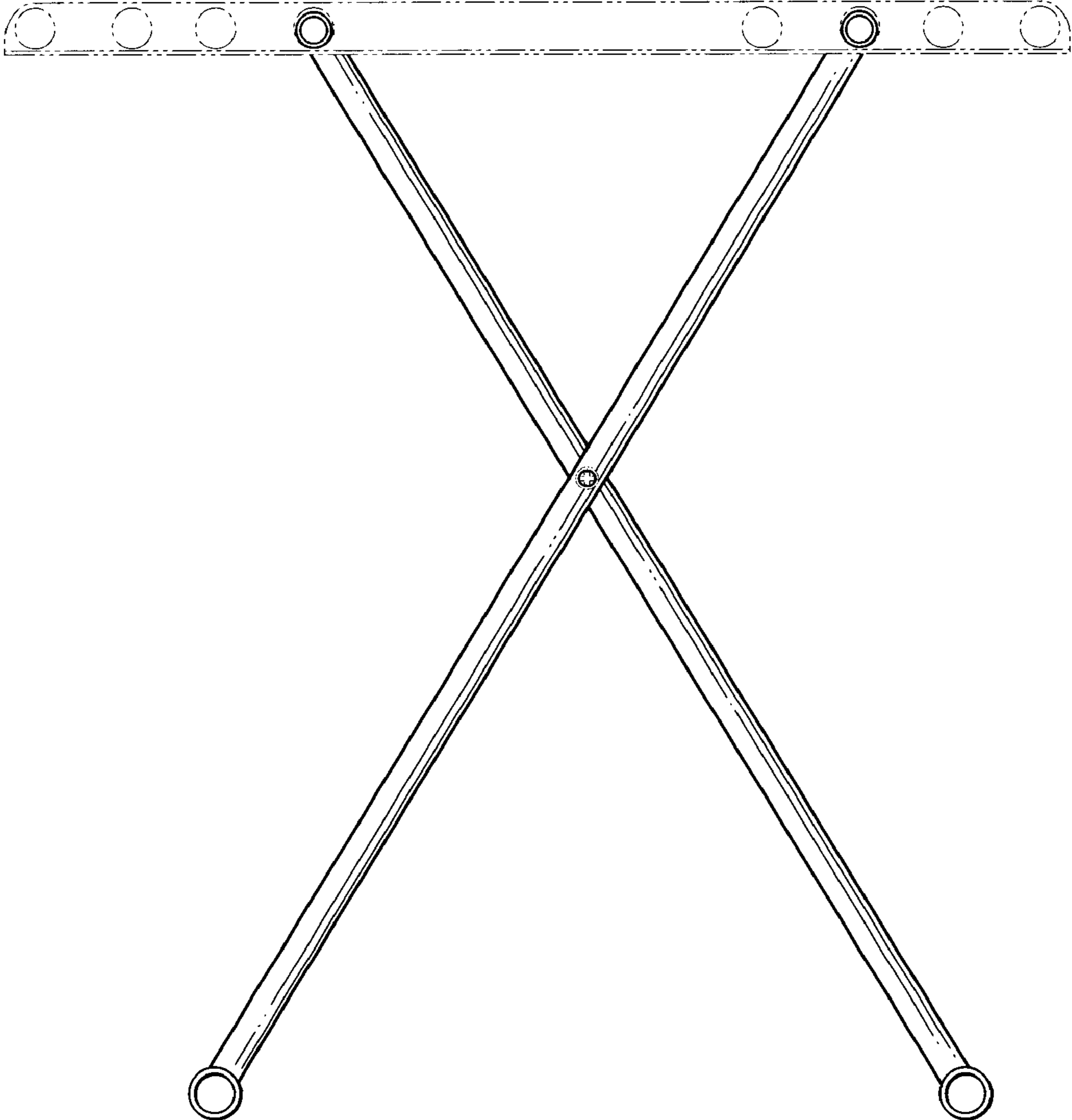


Fig. 6