



US00D515852S

(12) **United States Design Patent**
Strong

(10) **Patent No.:** **US D515,852 S**

(45) **Date of Patent:** **** Feb. 28, 2006**

- (54) **LEG SUPPORT FOR A TABLE**
 - (75) Inventor: **L. Curtis Strong**, Clearfield, UT (US)
 - (73) Assignee: **Lifetime Products, Inc.**, Clearfield, UT (US)
 - (**) Term: **14 Years**
 - (21) Appl. No.: **29/208,922**
 - (22) Filed: **Jul. 8, 2004**
 - (51) **LOC (8) Cl.** **06-06**
 - (52) **U.S. Cl.** **D6/495**
 - (58) **Field of Classification Search** D6/480-489, D6/495-499, 511, 429-431; 108/150, 153.1, 108/155, 156, 157.1, 161; 248/188, 188.1, 248/188.8
- See application file for complete search history.

5,279,233 A	1/1994	Cox	
5,284,100 A	2/1994	Thorn	
5,341,750 A *	8/1994	Fuchs	108/64
5,357,872 A	10/1994	Wilmore	
5,421,272 A	6/1995	Wilmore	
D379,127 S	5/1997	Schacht	
5,636,578 A	6/1997	Rizzi	
D380,632 S	7/1997	Schacht	
5,694,865 A	12/1997	Raab	
5,732,637 A	3/1998	Raab	
5,865,128 A	2/1999	Tarnay	
5,868,081 A	2/1999	Raab	
5,921,623 A	7/1999	Nye et al.	
D414,626 S	10/1999	Collins et al.	
D419,332 S	1/2000	Collins et al.	
D420,527 S	2/2000	Pinch et al.	
D423,258 S	4/2000	Pinch	
6,109,687 A *	8/2000	Nye et al.	297/158.4
6,112,674 A	9/2000	Stanford	
6,422,157 B2	7/2002	Rumph	
D468,139 S *	1/2003	Strong	D6/499
D469,271 S	1/2003	Avrahami	
D469,981 S	2/2003	Buono	
D474,628 S	5/2003	Chen	
D476,169 S	6/2003	Buono	
D476,823 S	7/2003	Jackson	
D488,998 S	4/2004	Bosman	

(56) **References Cited**
U.S. PATENT DOCUMENTS

1,757,260 A	5/1930	Silverman	
D99,726 S	5/1936	Powell	
D115,103 S	6/1939	Erickson	
D151,780 S	11/1948	Low	
D157,649 S	3/1950	White	
2,689,158 A	9/1954	Mahr	
D180,283 S	5/1957	Hoven et al.	
3,267,886 A *	8/1966	Glass	108/127
3,349,728 A	10/1967	Barecki et al.	
3,357,729 A	12/1967	Krueger	
D224,876 S	10/1972	Acton	
D236,058 S	7/1975	Kramer	
D239,680 S	4/1976	Szucs	
D248,139 S *	6/1978	Petersen	D6/480
4,191,111 A	3/1980	Emmert	
4,597,553 A *	7/1986	Rorabaugh	248/440
4,727,816 A	3/1988	Virtue	
4,827,851 A	5/1989	Diffrient	
4,838,180 A	6/1989	Gutgsell	
4,841,877 A	6/1989	Virtue	
4,951,576 A	8/1990	Cobos et al.	
5,056,439 A	10/1991	Hodge, Jr. et al.	
D323,947 S	2/1992	Pomeroy et al.	
5,109,778 A	5/1992	Berkowitz et al.	
D330,299 S	10/1992	Saotome	

* cited by examiner

Primary Examiner—Janice E. Seeger
(74) *Attorney, Agent, or Firm*—Workman Nydegger

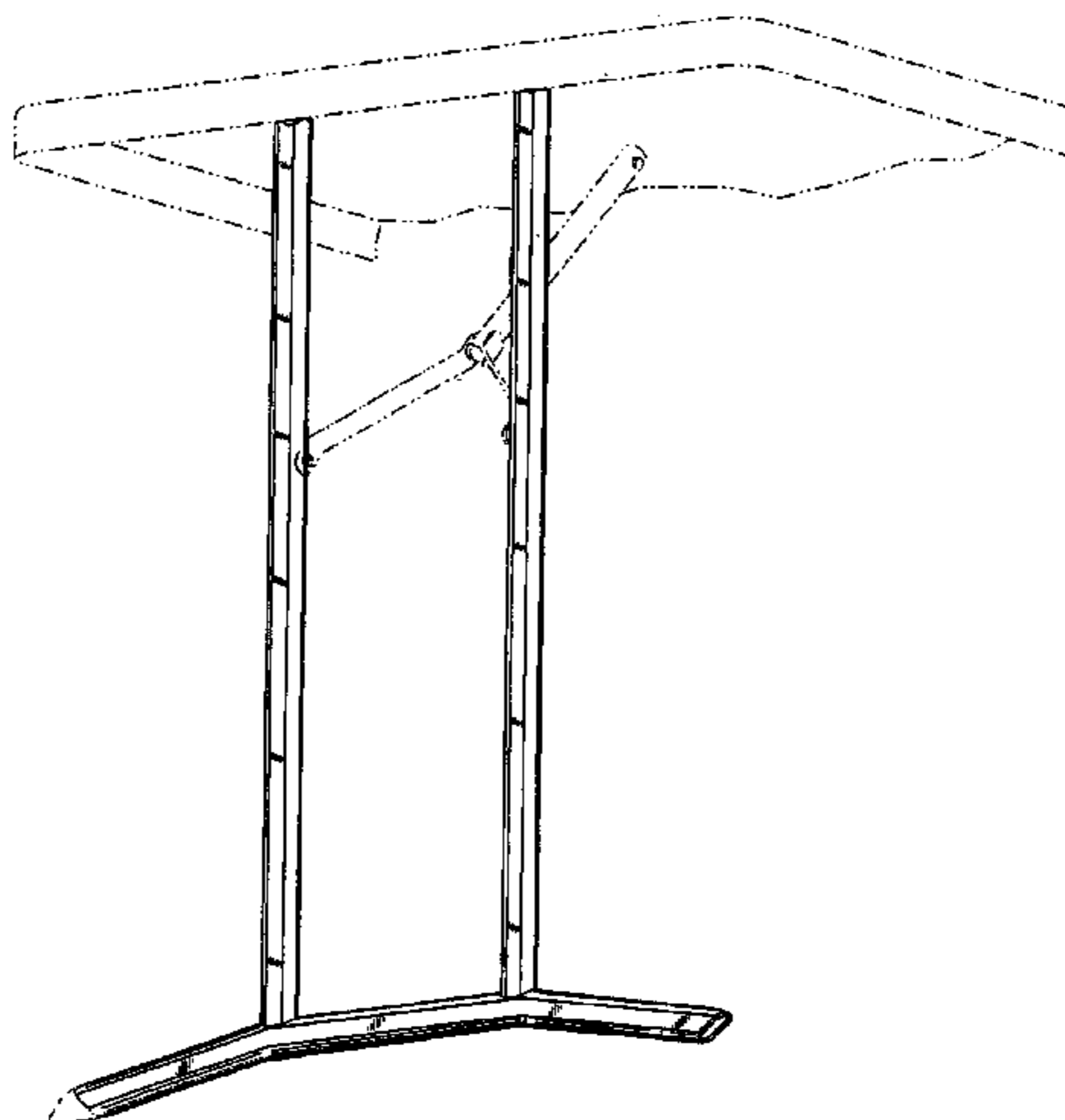
(57) **CLAIM**

The ornamental design for a leg support for a table, as shown and described.

DESCRIPTION

FIG. 1 is a perspective view of an exemplary embodiment of a leg support for a table;
FIG. 2 is a right side view of the leg support for a table shown in FIG. 1, with the left side being a mirror image thereof; and,
FIG. 3 is a front view of the leg support for a table shown in FIG. 1, with the back view being a mirror image thereof. The broken lines shown in the figures are for illustrative purposes only and form no part of the claimed design.

1 Claim, 3 Drawing Sheets



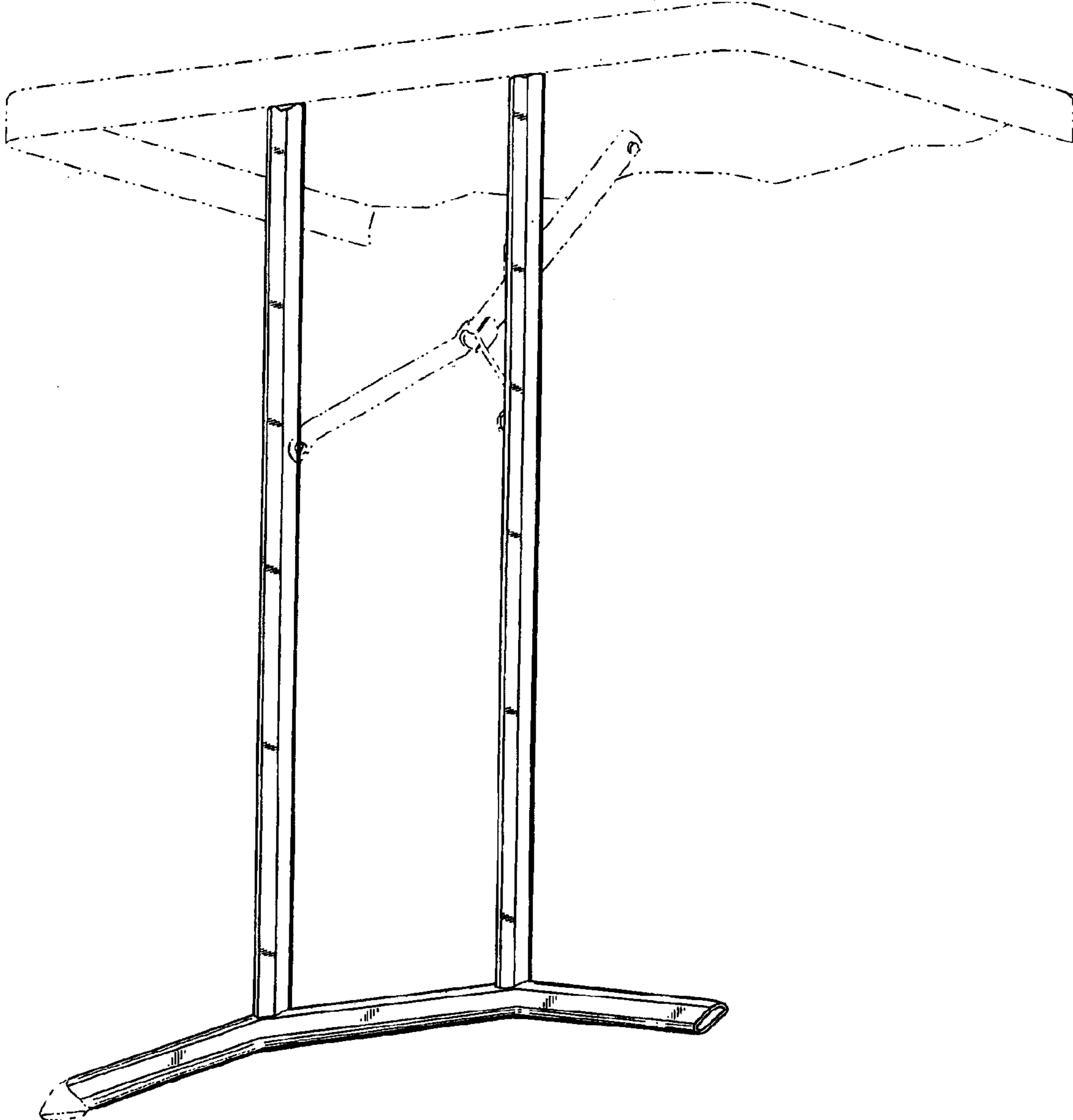


Fig. 1

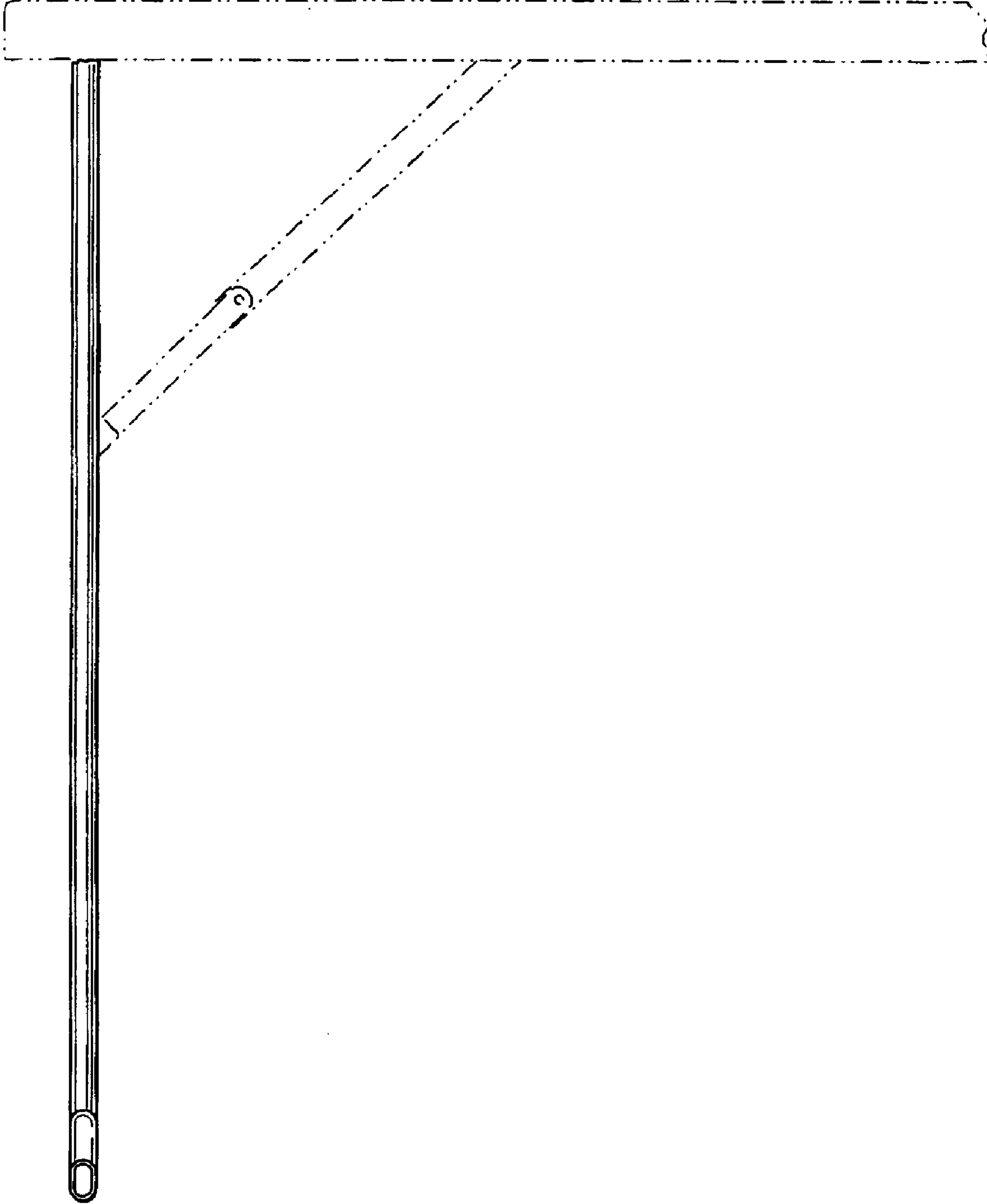


Fig. 2

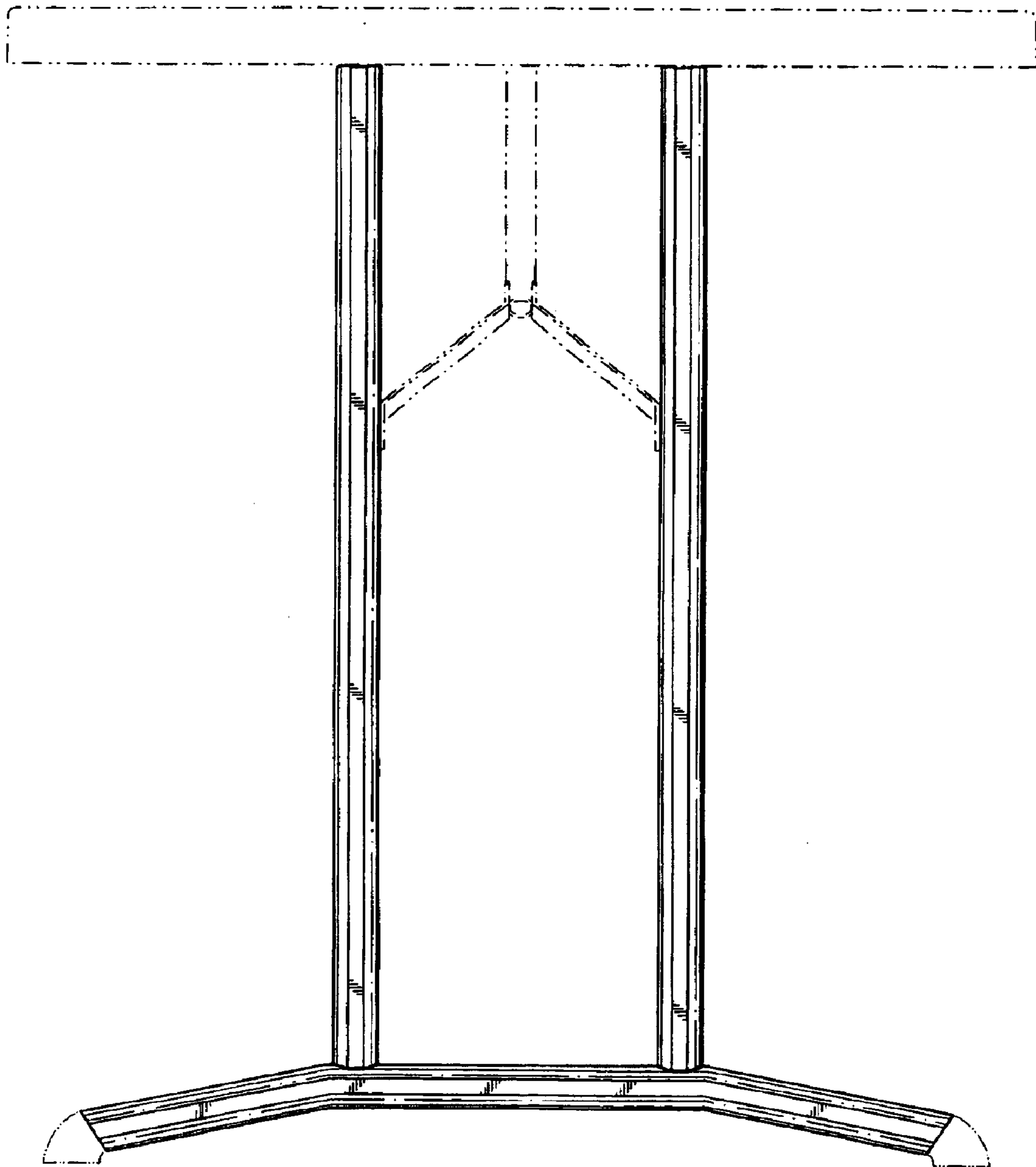


Fig. 3