



US00D515851S

(12) **United States Design Patent**
Magnusson

(10) **Patent No.:** **US D515,851 S**

(45) **Date of Patent:** **** Feb. 28, 2006**

(54) **TABLE BASE**

(75) **Inventor:** **Emanuela Frattini Magnusson**, New York, NY (US)

(73) **Assignee:** **Knoll, Inc.**, East Greenville, PA (US)

(**) **Term:** **14 Years**

(21) **Appl. No.:** **29/207,265**

(22) **Filed:** **Jun. 9, 2004**

(51) **LOC (8) Cl.** **06-06**

(52) **U.S. Cl.** **D6/495**

(58) **Field of Classification Search** D6/480-489,
D6/495-499, 511, 429-431; 108/150, 153.1,
108/155, 156, 157.1, 161; 248/188, 188.1,
248/188.8

See application file for complete search history.

(56) **References Cited**

U.S. PATENT DOCUMENTS

- D306,107 S * 2/1990 Grosfillex D6/480
- D306,108 S * 2/1990 Grosfillex D6/486
- D333,930 S * 3/1993 Olsen D6/470
- D342,403 S 12/1993 Magnusson
- D362,983 S 10/1995 Magnusson
- D367,192 S 2/1996 Frattini
- 5,715,761 A 2/1998 Frattini
- D401,454 S * 11/1998 De Blaay D6/486
- D415,634 S 10/1999 Lin et al.

- D448,585 S * 10/2001 Petri D6/427
- D462,195 S * 9/2002 Wang D6/425
- D469,990 S * 2/2003 Muller D6/486
- D492,514 S * 7/2004 Domack et al. D6/480

* cited by examiner

Primary Examiner—Janice E. Seeger

(74) *Attorney, Agent, or Firm*—Buchanan Ingersoll PC

(57) **CLAIM**

The ornamental design for a table base, as shown and described.

DESCRIPTION

FIG. 1 is a perspective view of a table base showing my new design;

FIG. 2 is a front elevational view thereof;

FIG. 3 is a rear elevational view thereof;

FIG. 4 is a right side elevational view thereof;

FIG. 5 is a left side elevational view thereof;

FIG. 6 is a bottom plan view thereof;

FIG. 7 is a top plan view thereof;

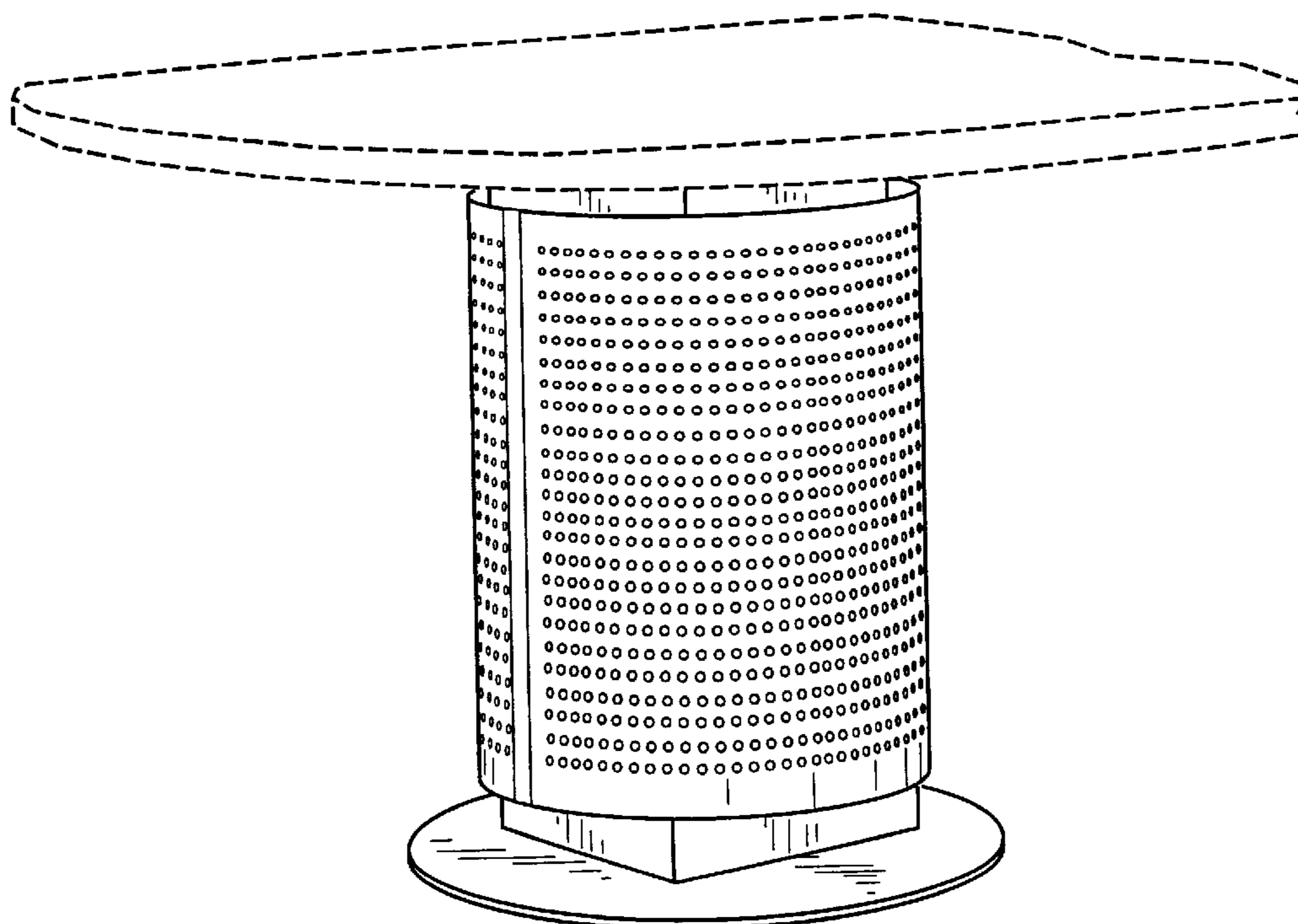
FIG. 8 is a perspective view of the table base of FIG. 1 shown in a multiple configuration;

FIG. 9 is a front elevational view thereof; and,

FIG. 10 is a rear elevational view thereof.

The phantom lines in FIGS. 1-10 are for illustrative purposes only to show a sample table top and form no part of the design.

1 Claim, 7 Drawing Sheets



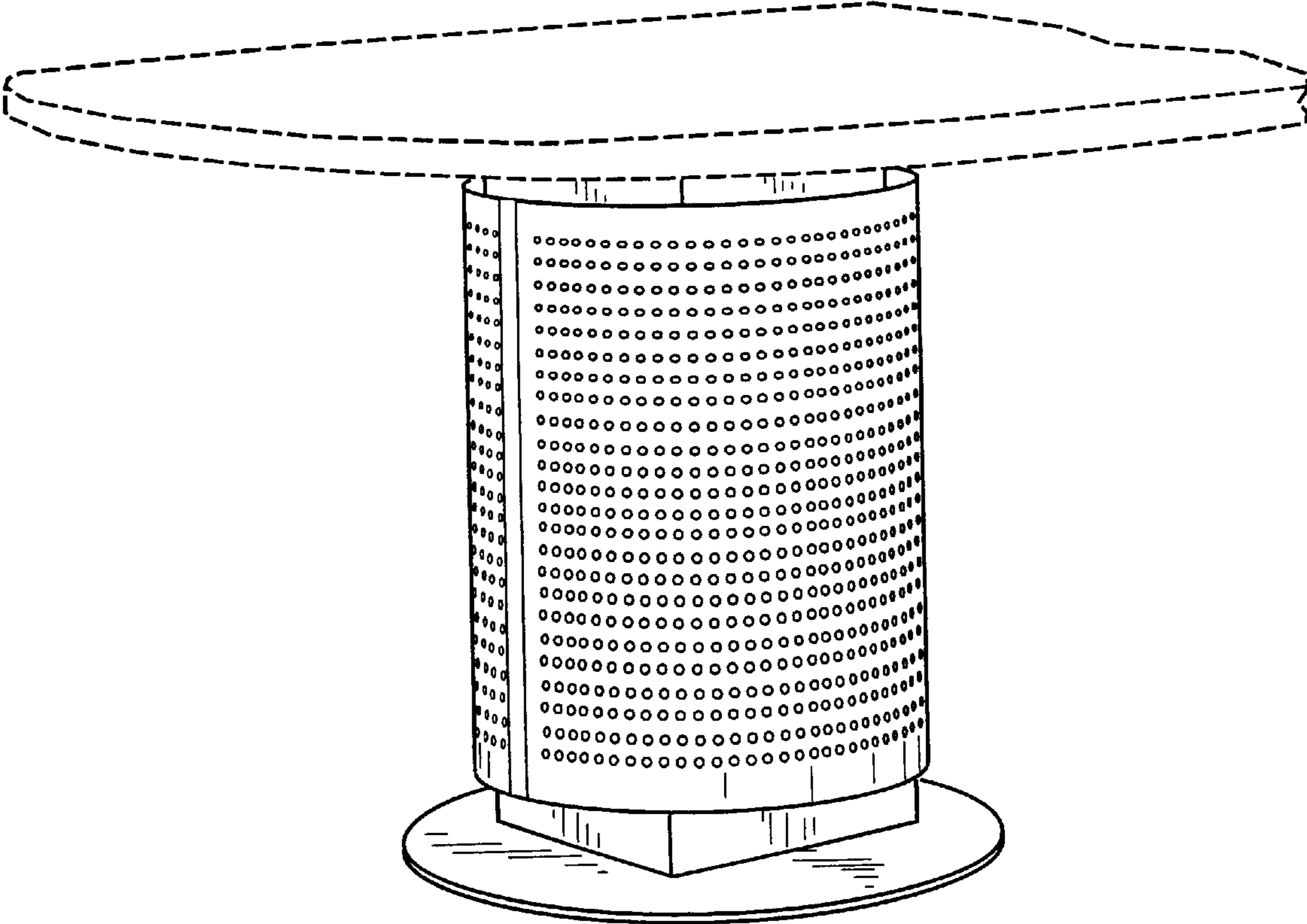


FIG. 1

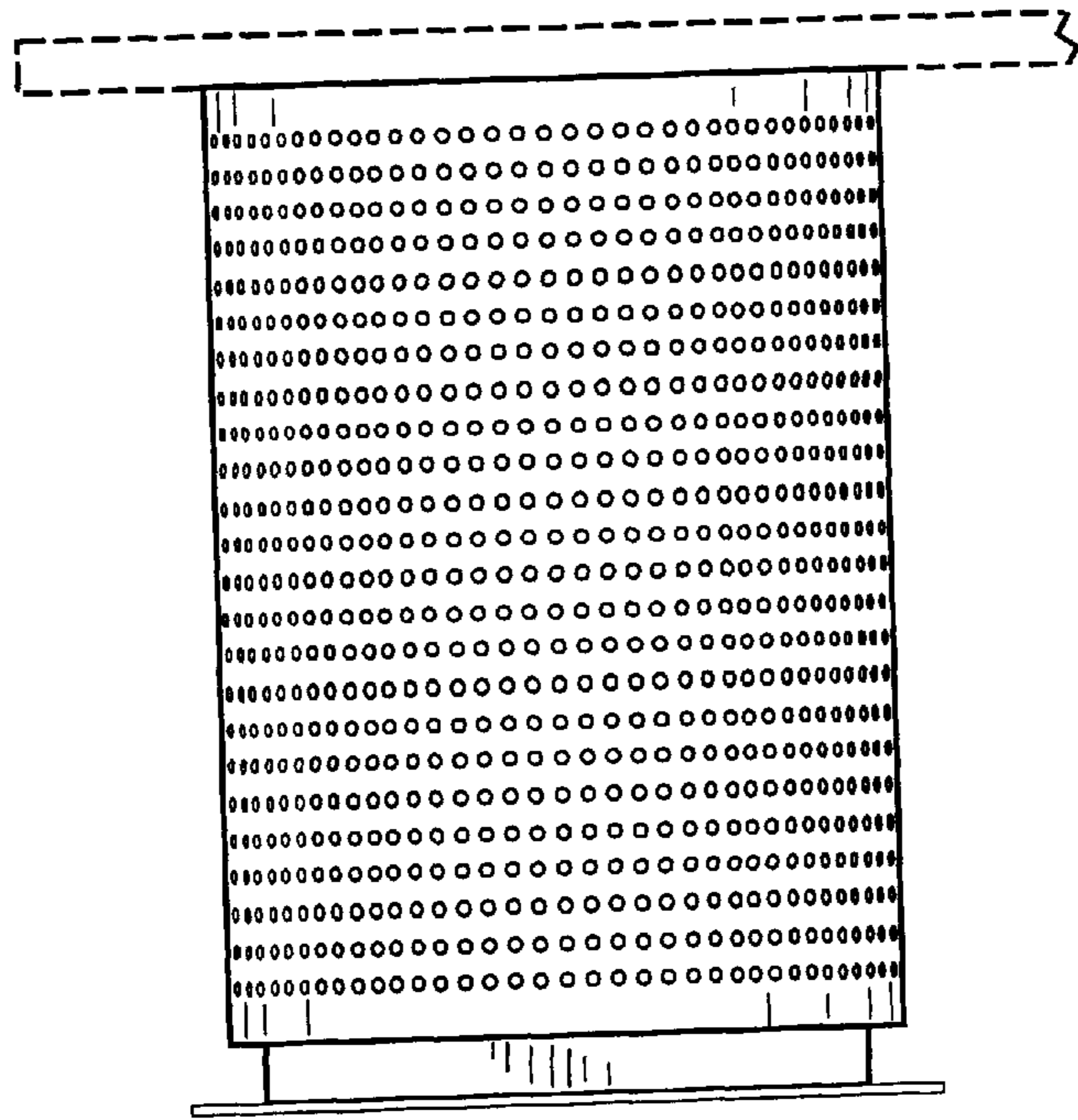


FIG. 2

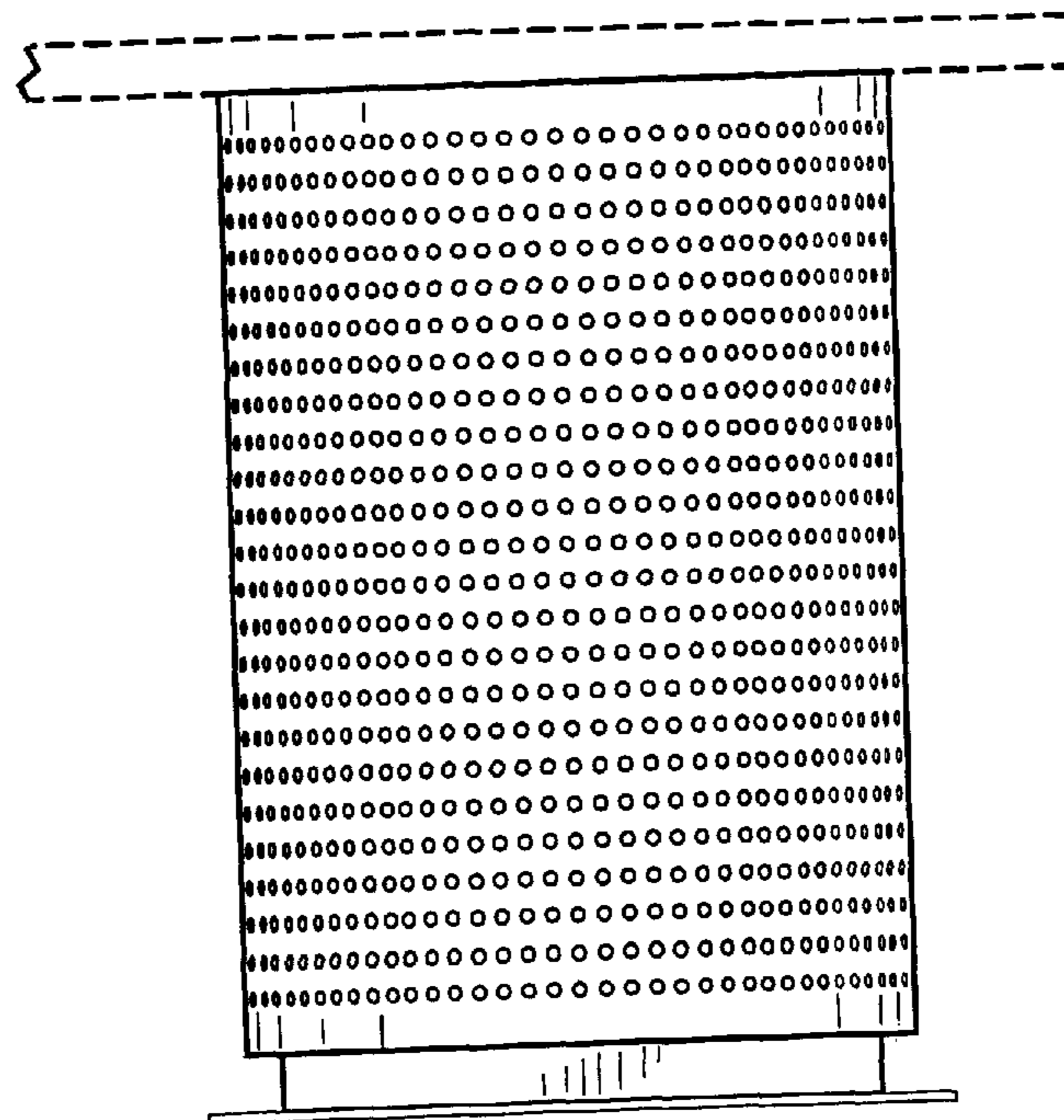


FIG. 3

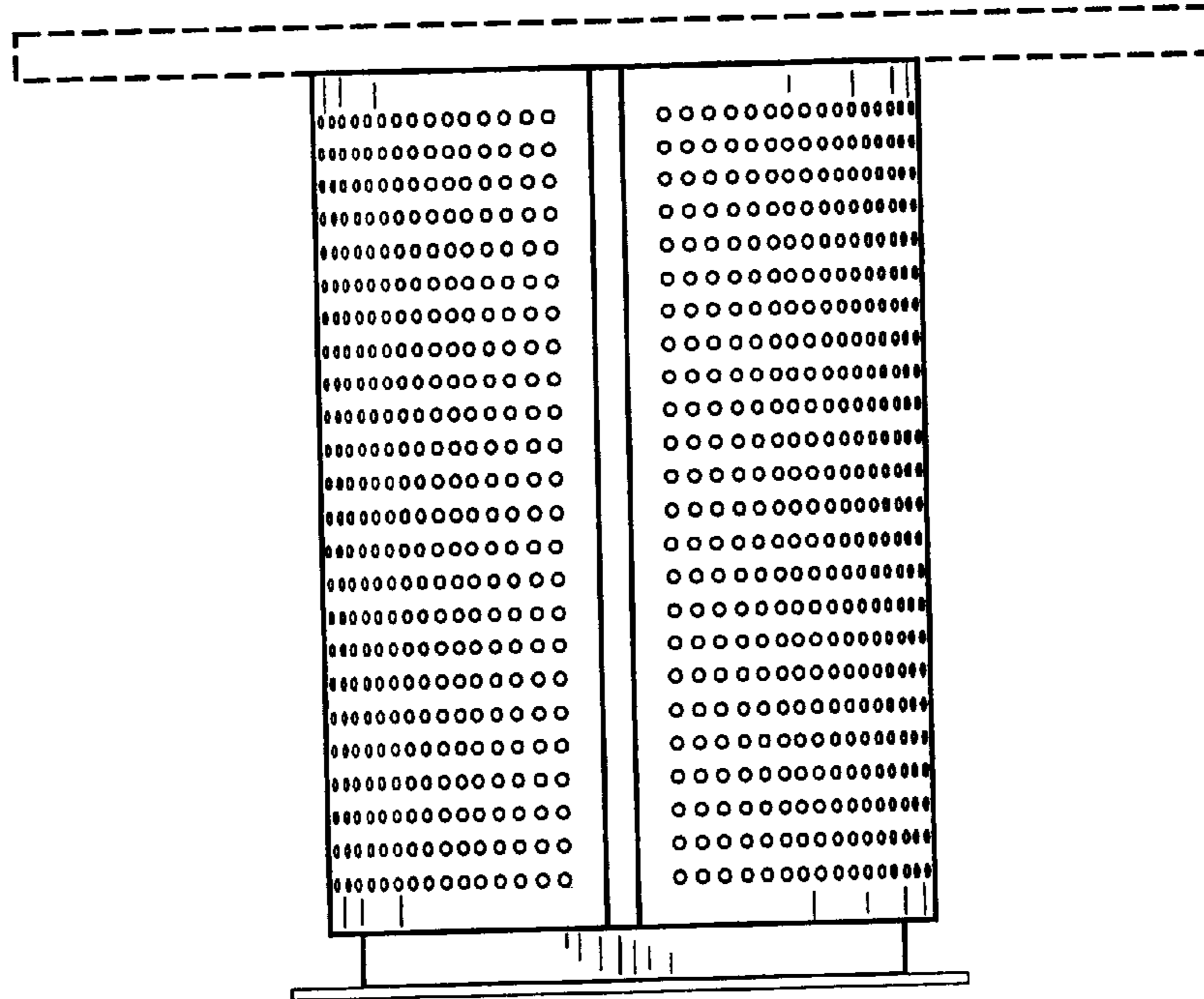


FIG. 4

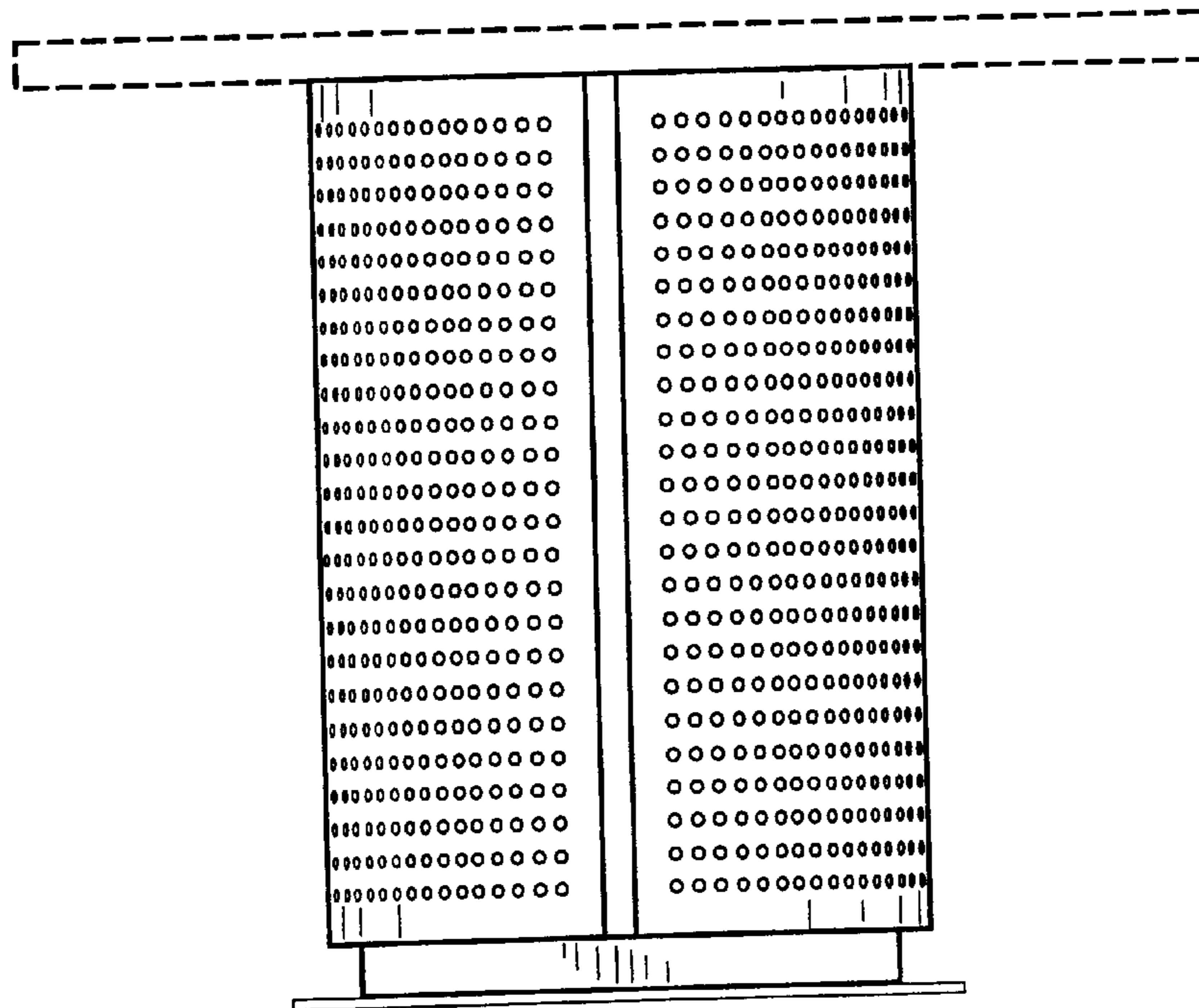


FIG. 5

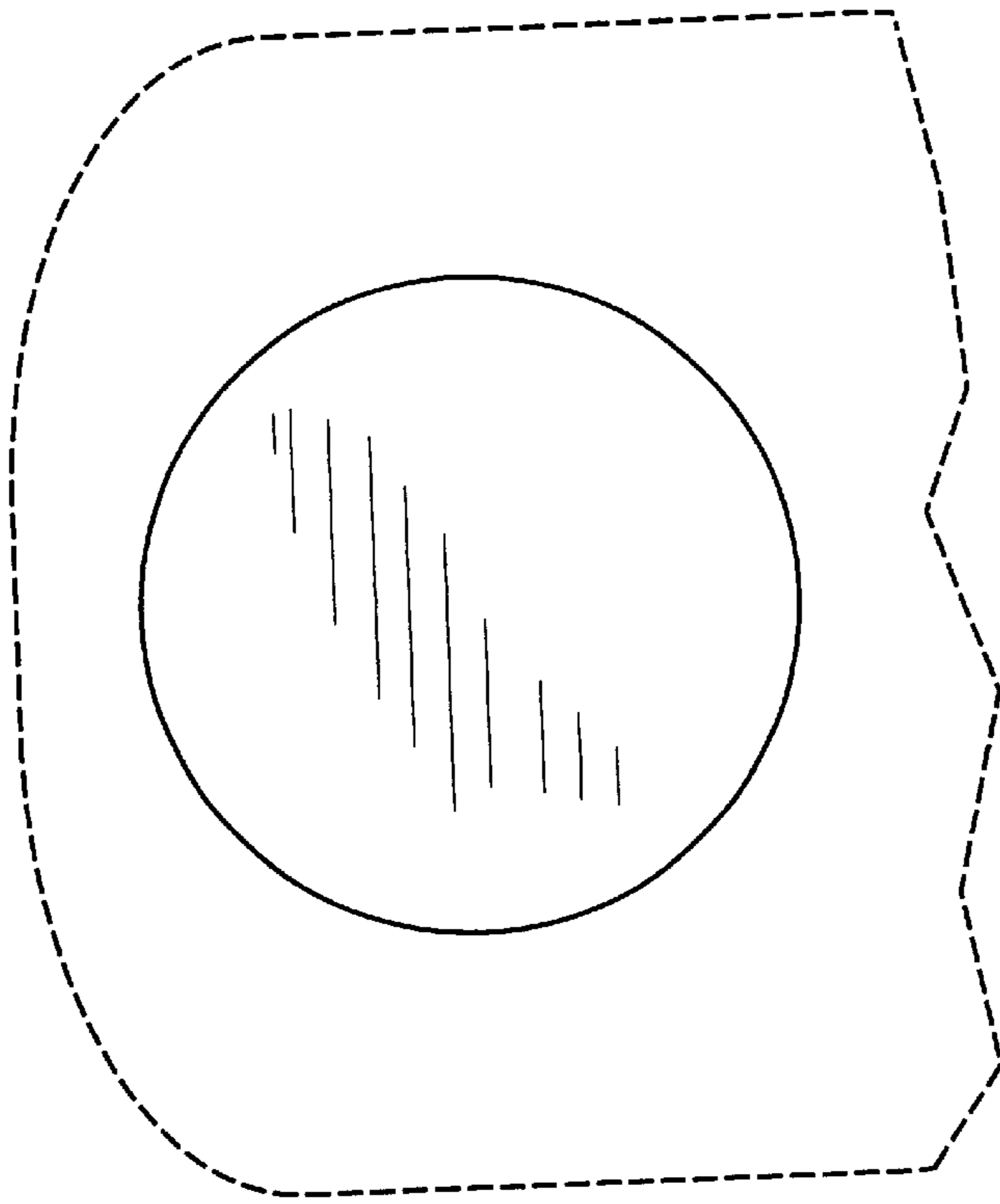


FIG. 6

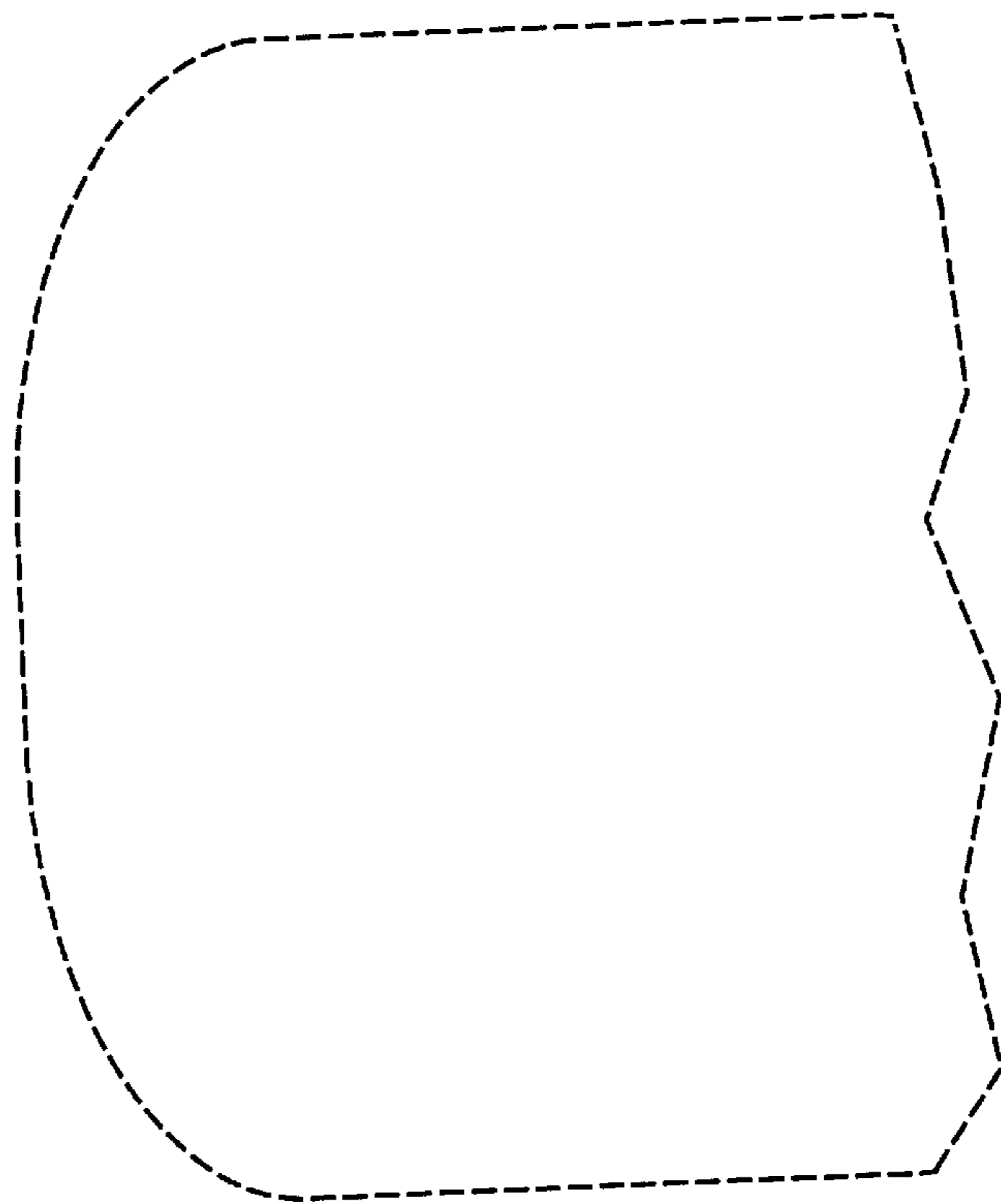


FIG. 7

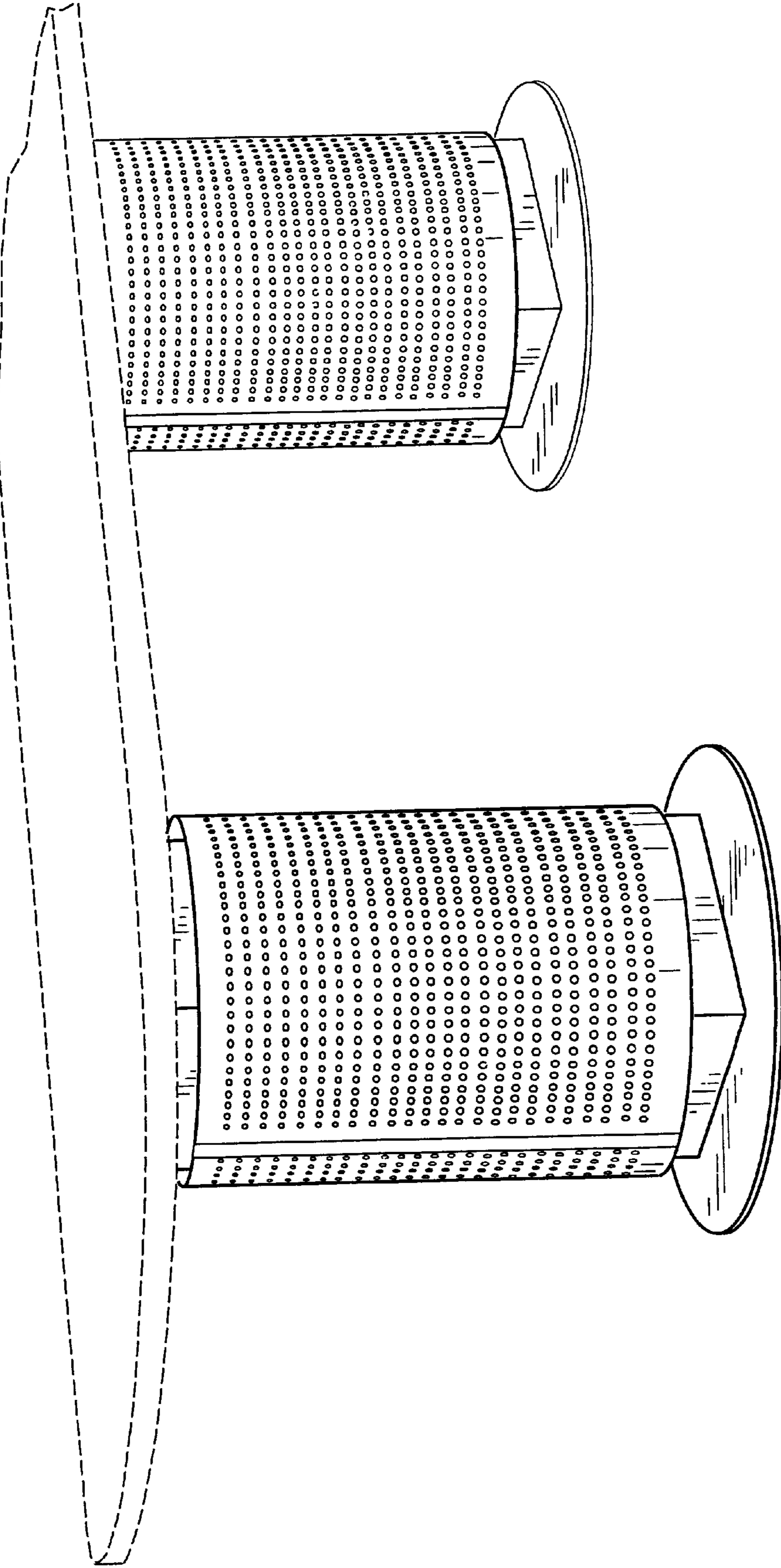


FIG. 8

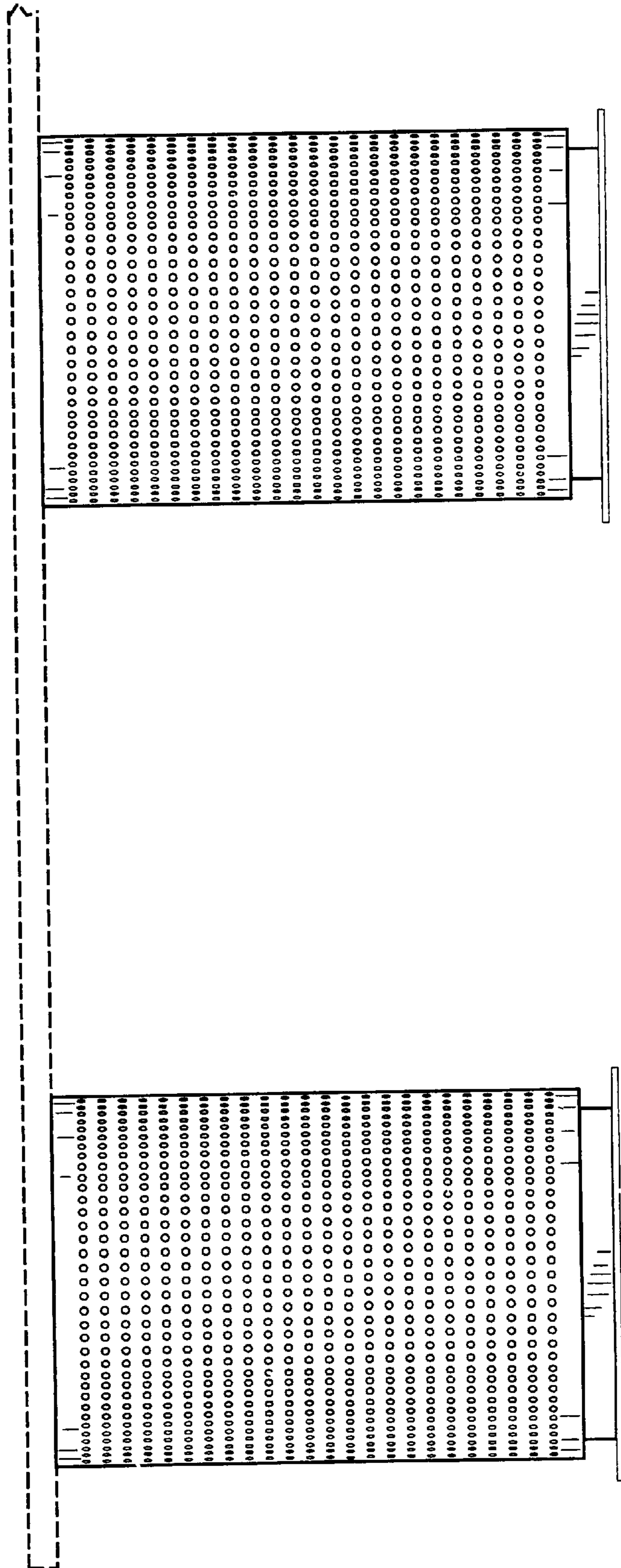


FIG. 9

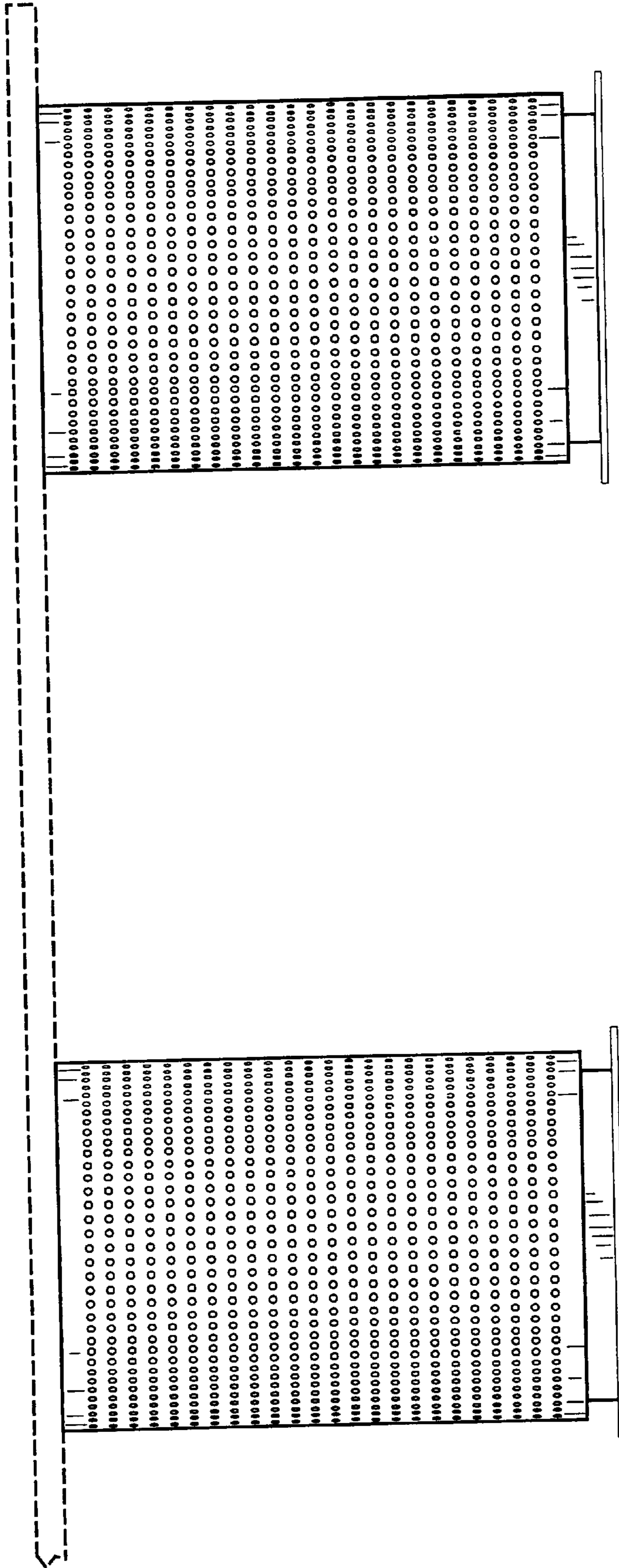


FIG. 10