



US00D515848S

(12) **United States Design Patent**
Takami et al.

(10) **Patent No.:** **US D515,848 S**
(45) **Date of Patent:** **** Feb. 28, 2006**

(54) **TELEVISION STAND**

(75) Inventors: **Mitsuru Takami**, Takatsuki (JP);
Satoshi Tanigawa, Ibaraki (JP);
Mitsunari Fujii, Sasayama (JP);
Toshikazu Asanuma, Ibaraki (JP);
Koichi Matsumoto, Osaka (JP)

(73) Assignee: **Matsushita Electric Industrial Co., Ltd.**, Osaka (JP)

(**) Term: **14 Years**

(21) Appl. No.: **29/223,815**

(22) Filed: **Feb. 18, 2005**

(30) **Foreign Application Priority Data**

Aug. 18, 2004 (JP) 2004-024637

(51) **LOC (8) Cl.** **06-04**

(52) **U.S. Cl.** **D6/477; D6/474**

(58) **Field of Classification Search** D6/460,
D6/461, 468, 474, 477-479; 312/7.2, 9.1;
108/59, 91, 92, 96; 211/40, 41.12, 42, 49.1,
211/50, 85.2, 90.04, 187, 190, 119.003, 134.153,
211/87.01, 71.01

See application file for complete search history.

(56) **References Cited**

U.S. PATENT DOCUMENTS

D457,755 S * 5/2002 Sun et al. D6/479

D477,292 S 7/2003 Inoue et al.
D483,966 S * 12/2003 Forlenza et al. D6/474
D486,804 S 2/2004 Takami et al.
D488,141 S 4/2004 Takami et al.

FOREIGN PATENT DOCUMENTS

JP D1182691 8/2003
JP D1183857 9/2003
JP D1186710 10/2003
JP D1197509 2/2004

* cited by examiner

Primary Examiner—Cathron C. Brooks

(74) *Attorney, Agent, or Firm*—Brinks Hofer Gilson & Lione

(57) **CLAIM**

We claim the ornamental design for a television stand, as shown and described.

DESCRIPTION

FIG. 1 is a top perspective view of a television stand of the present invention;
FIG. 2 is a front view thereof;
FIG. 3 is a first side view thereof;
FIG. 4 is a second side view thereof;
FIG. 5 is a top view thereof;
FIG. 6 is a rear view thereof; and,
FIG. 7 is a bottom view thereof.

1 Claim, 3 Drawing Sheets

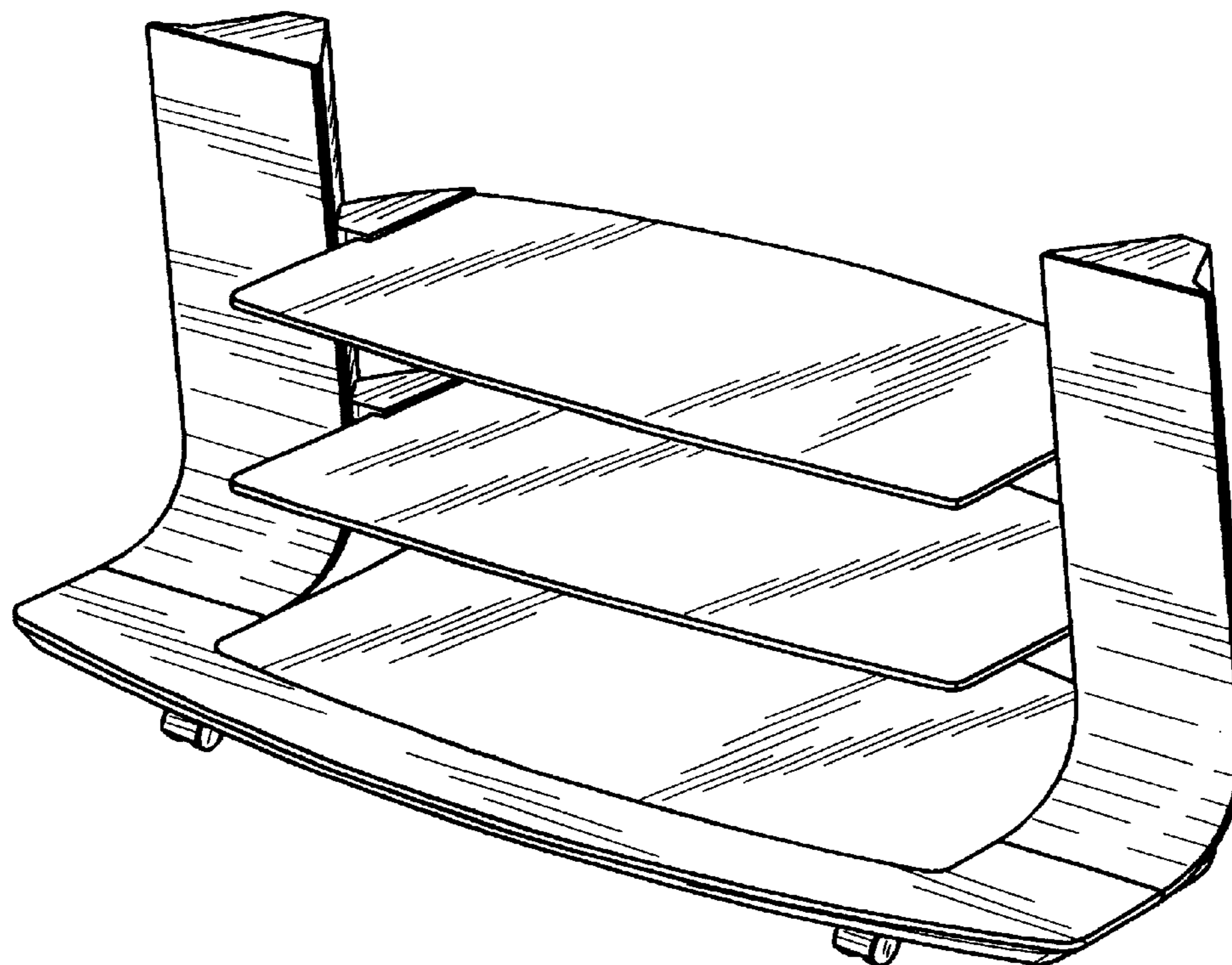


FIG.1

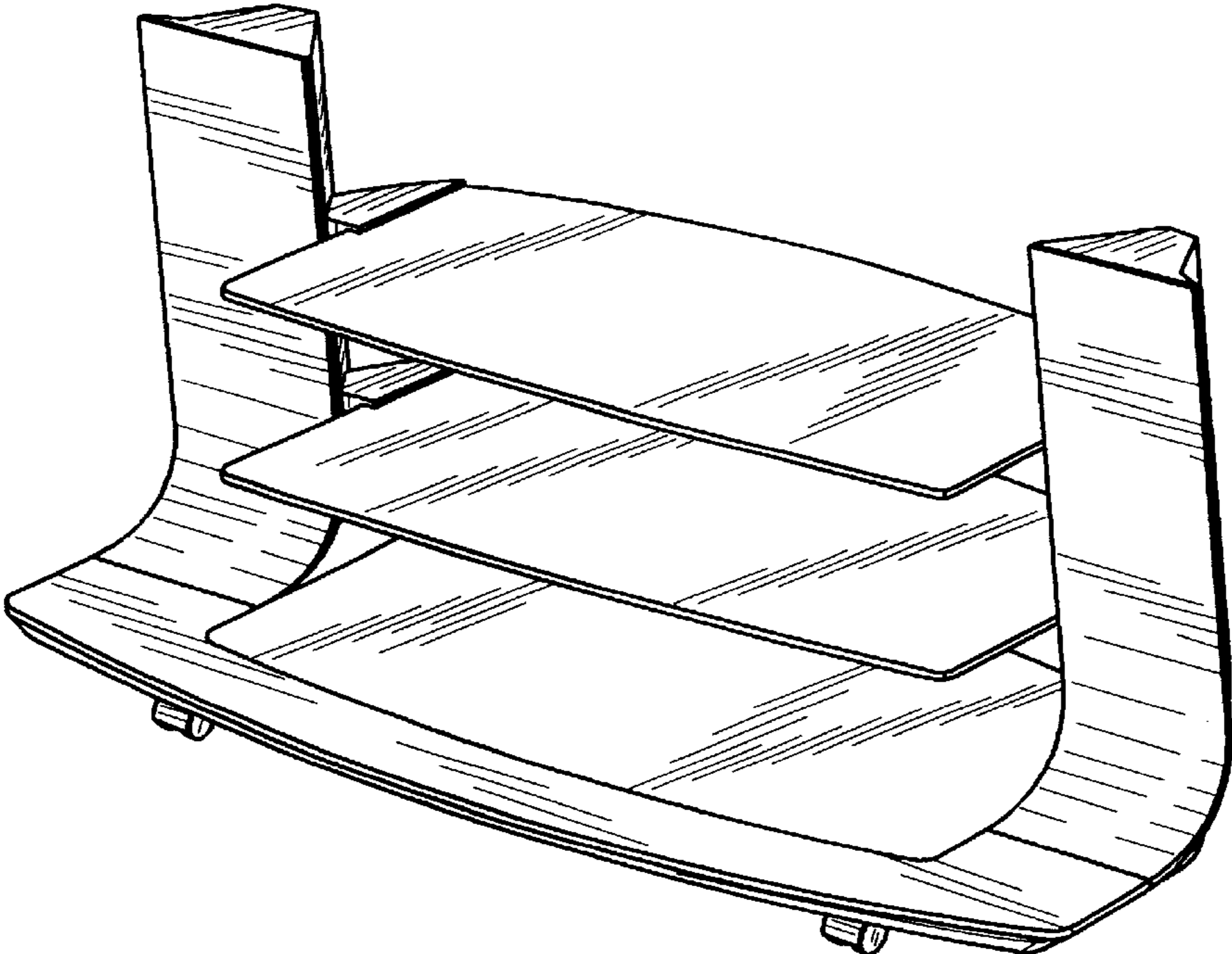


FIG.2

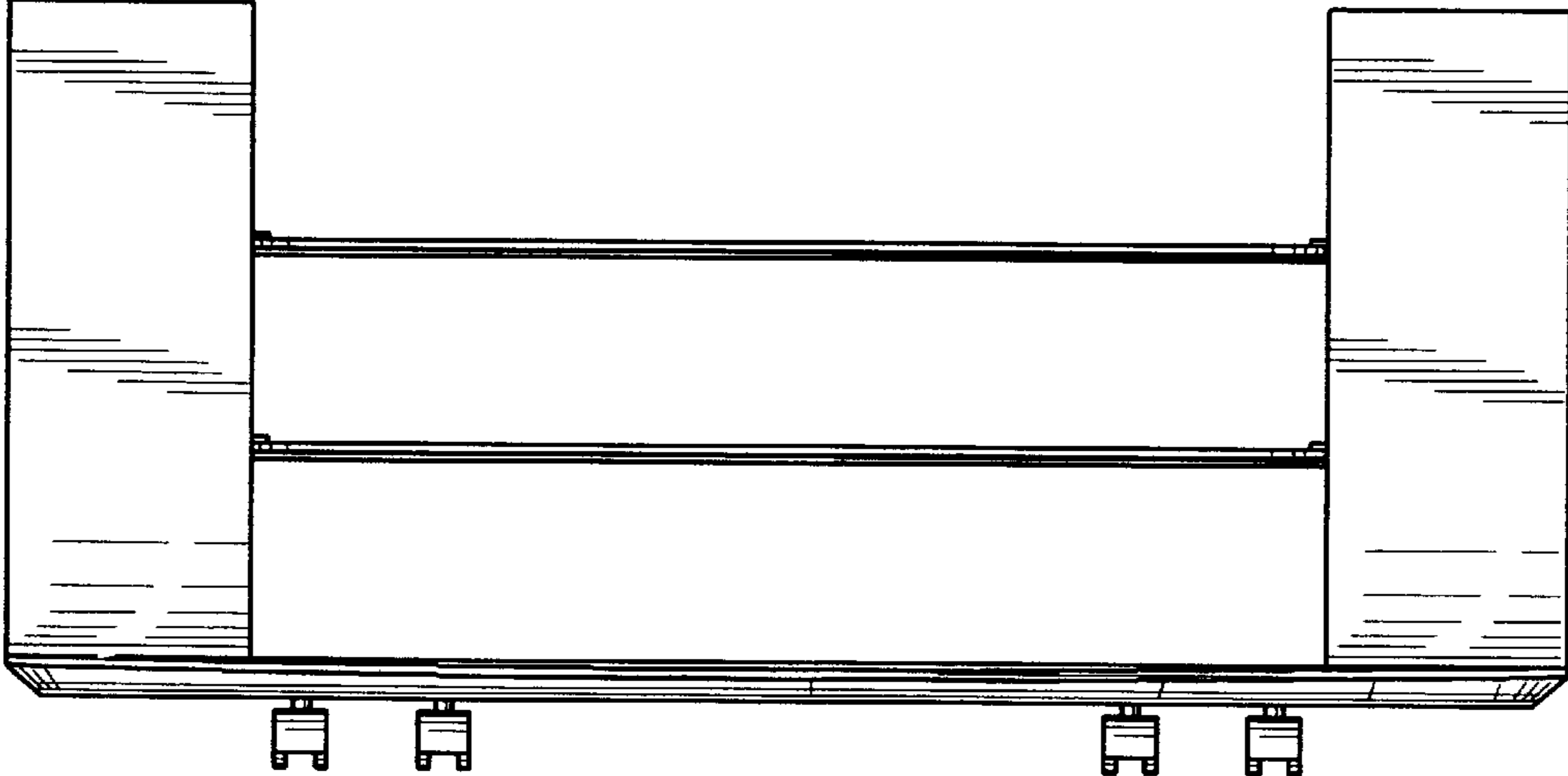


FIG.3

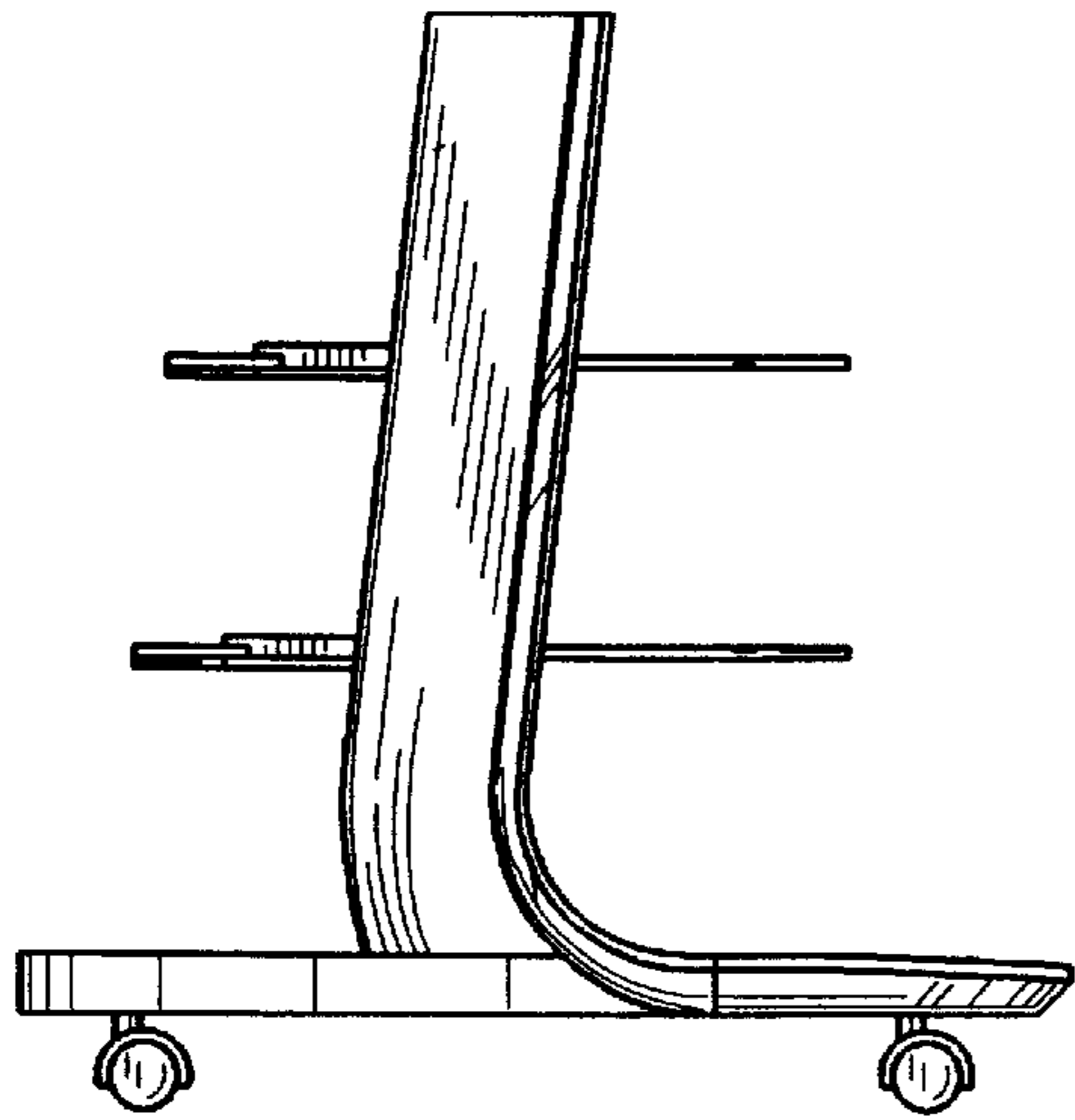


FIG.4

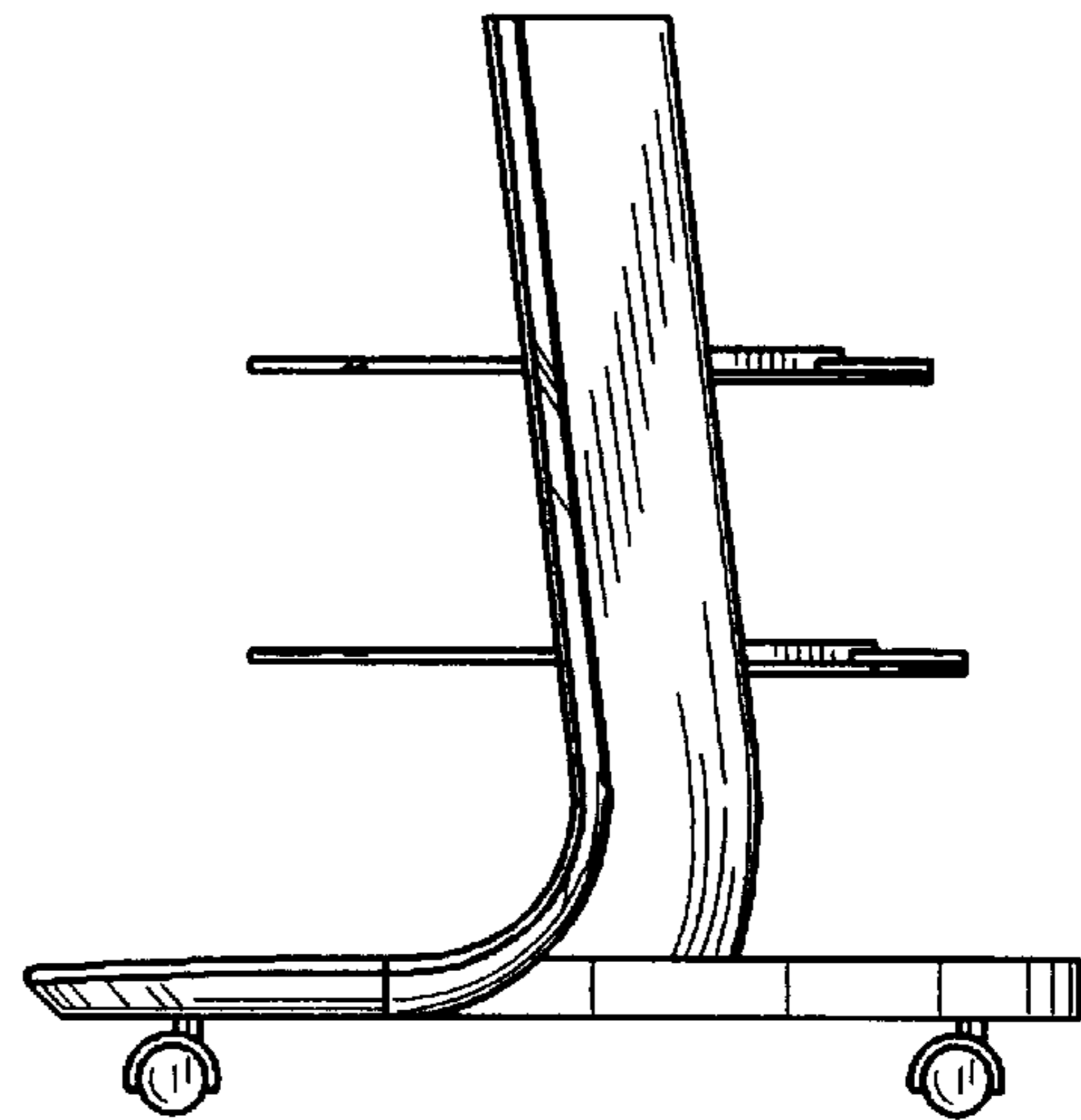


FIG.5

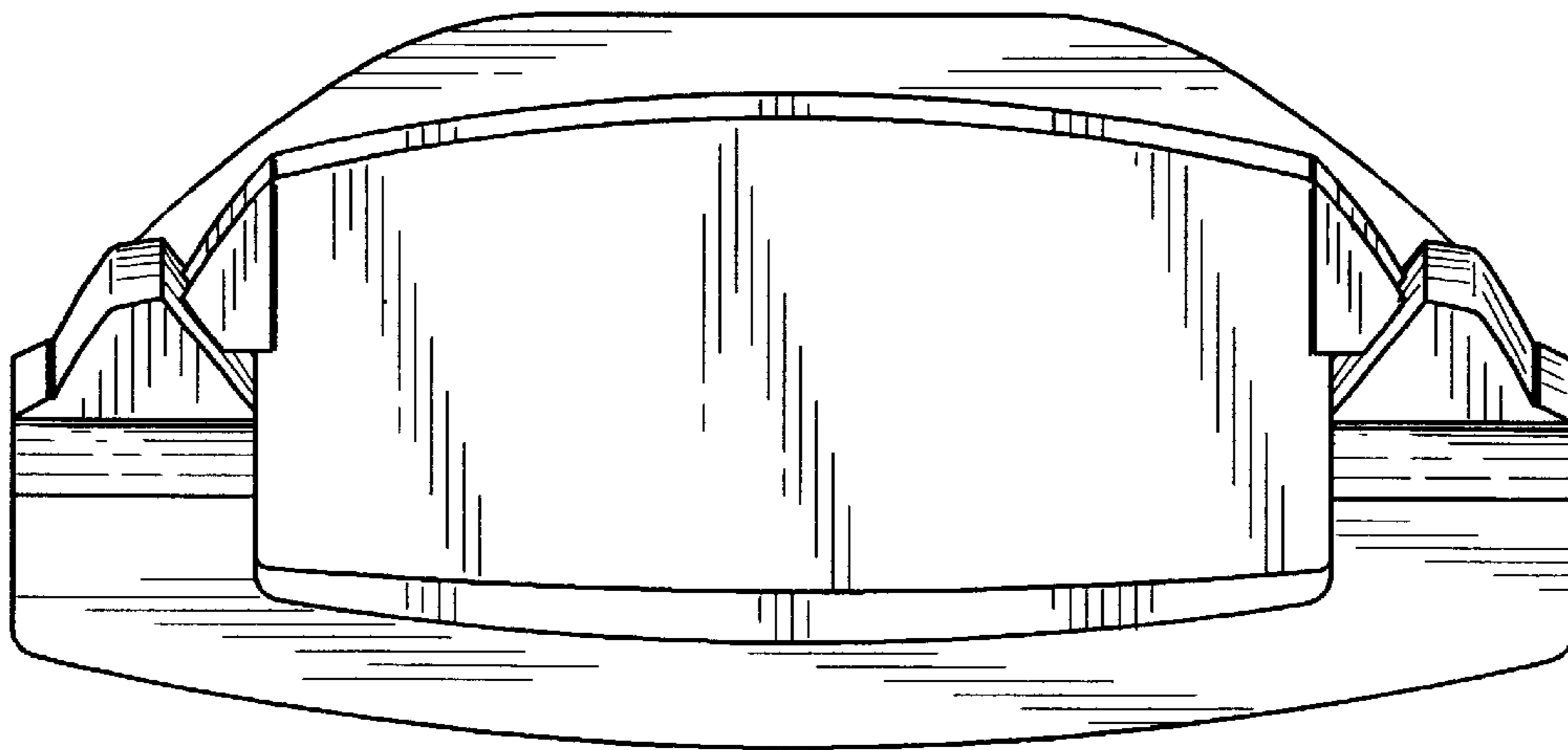


FIG.6

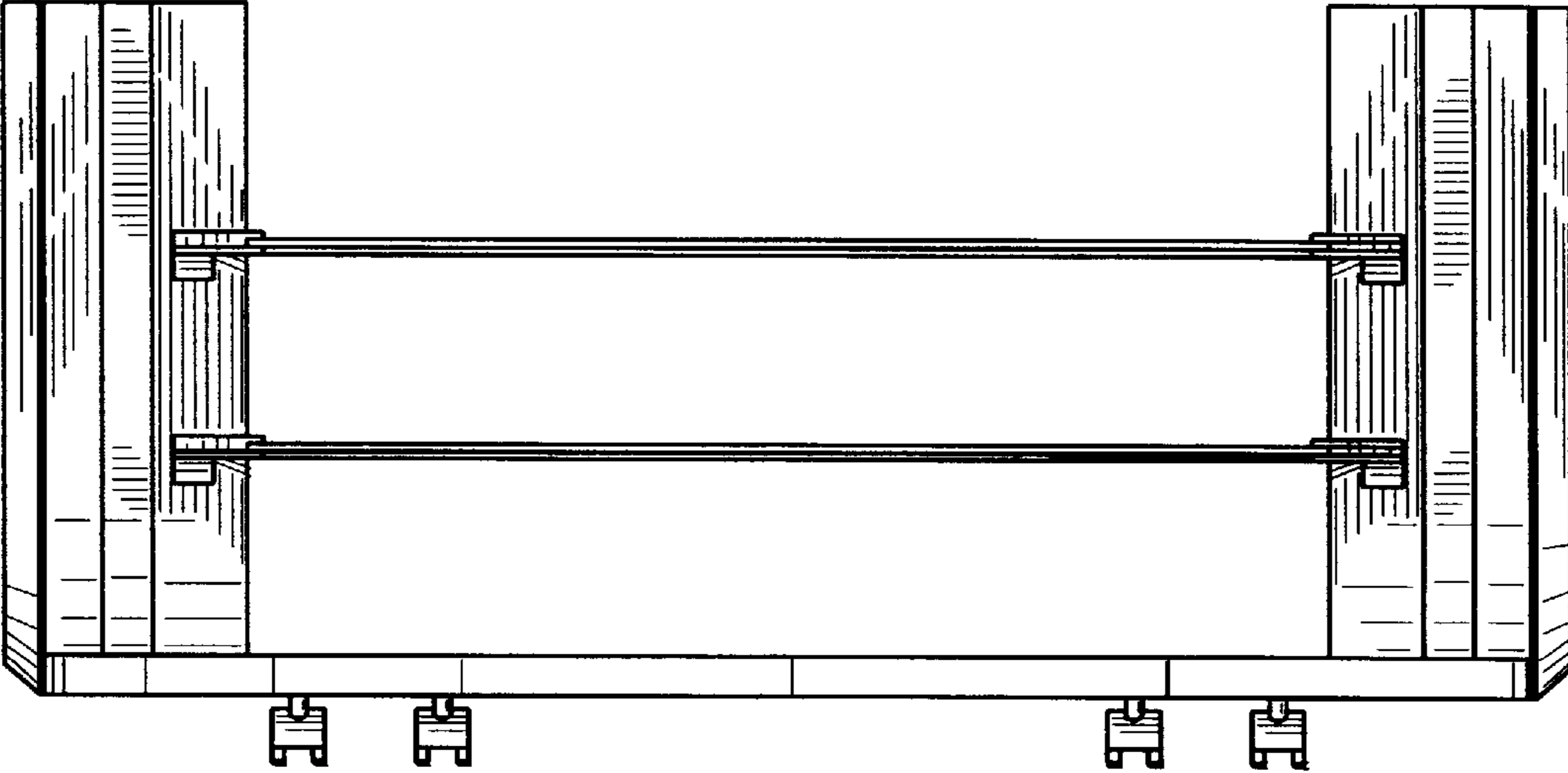


FIG.7

