



US00D515847S

(12) **United States Design Patent**
Moon et al.

(10) **Patent No.: US D515,847 S**

(45) **Date of Patent: ** Feb. 28, 2006**

(54) **CUBE UNIT**

(75) Inventors: **Brian Moon**, DeKalb, IL (US);
Torrence Anderson, Overland Park, KS
(US)

(73) Assignee: **Suncast Corporation**, Batavia, IL (US)

(**) Term: **14 Years**

(21) Appl. No.: **29/206,322**

(22) Filed: **May 28, 2004**

(51) **LOC (8) Cl.** **06-04**

(52) **U.S. Cl.** **D6/477; D6/479**

(58) **Field of Classification Search** D6/396,
D6/432, 441, 445, 446-449; D34/17, 19;
312/209, 249.1, 249.8, 249.9, 249.11, 273,
312/108, 257.1; 206/373; 280/47.35, 79.11;
211/126.15, 134, 153, 183

See application file for complete search history.

(56) **References Cited**

U.S. PATENT DOCUMENTS

3,030,162	A	*	4/1962	Brooks	211/134
3,602,567	A	*	8/1971	Schnell et al.	312/257.1
3,661,434	A	*	5/1972	Alster	312/108
3,708,709	A	*	1/1973	Morrison et al.	211/126.15
3,822,924	A	*	7/1974	Lust	312/108
D233,511	S	*	11/1974	Condon et al.	D34/20
D237,235	S	*	10/1975	Iacurto et al.	D6/432
D286,122	S	*	10/1986	Golias	D6/432
D299,391	S	*	1/1989	Meehan	D6/448
D300,487	S	*	4/1989	Dyer	D6/446
D323,083	S	*	1/1992	Vaara-Sternos	D6/448
D326,198	S	*	5/1992	Pacetti et al.	D6/477
D329,251	S	*	9/1992	Olswold et al.	D34/19
D341,961	S	*	12/1993	Howden	D6/448
D384,227	S	*	9/1997	Grosfillex	D6/479

D406,476	S	*	3/1999	Boije	D6/436
5,921,647	A	*	7/1999	Schneider et al.	312/108
D414,054	S	*	9/1999	Hurd	D6/436
D429,916	S	*	8/2000	Hurd	D6/436
D440,078	S	*	4/2001	Carrabba	D6/478
D452,392	S	*	12/2001	Meder et al.	D6/432
6,474,759	B1	*	11/2002	Hsu	312/108
D470,340	S	*	2/2003	Andersen et al.	D6/479
D478,435	S	*	8/2003	Brownfield	D6/449
D506,613	S	*	6/2005	Gusdorf	D6/479
2004/0222722	A1	*	11/2004	Yang	312/108

OTHER PUBLICATIONS

Ikea Catalog, Valla bedside table, p. 166, 1993.*
Ikea Catalog, Bert 1-drawer table, p. 228, 1994.*
Ikea Catalog, Robin drawer unit, p. 187, 2002.*

* cited by examiner

Primary Examiner—Cathron C. Brooks
(74) *Attorney, Agent, or Firm*—McHale & Slavin, P.A.

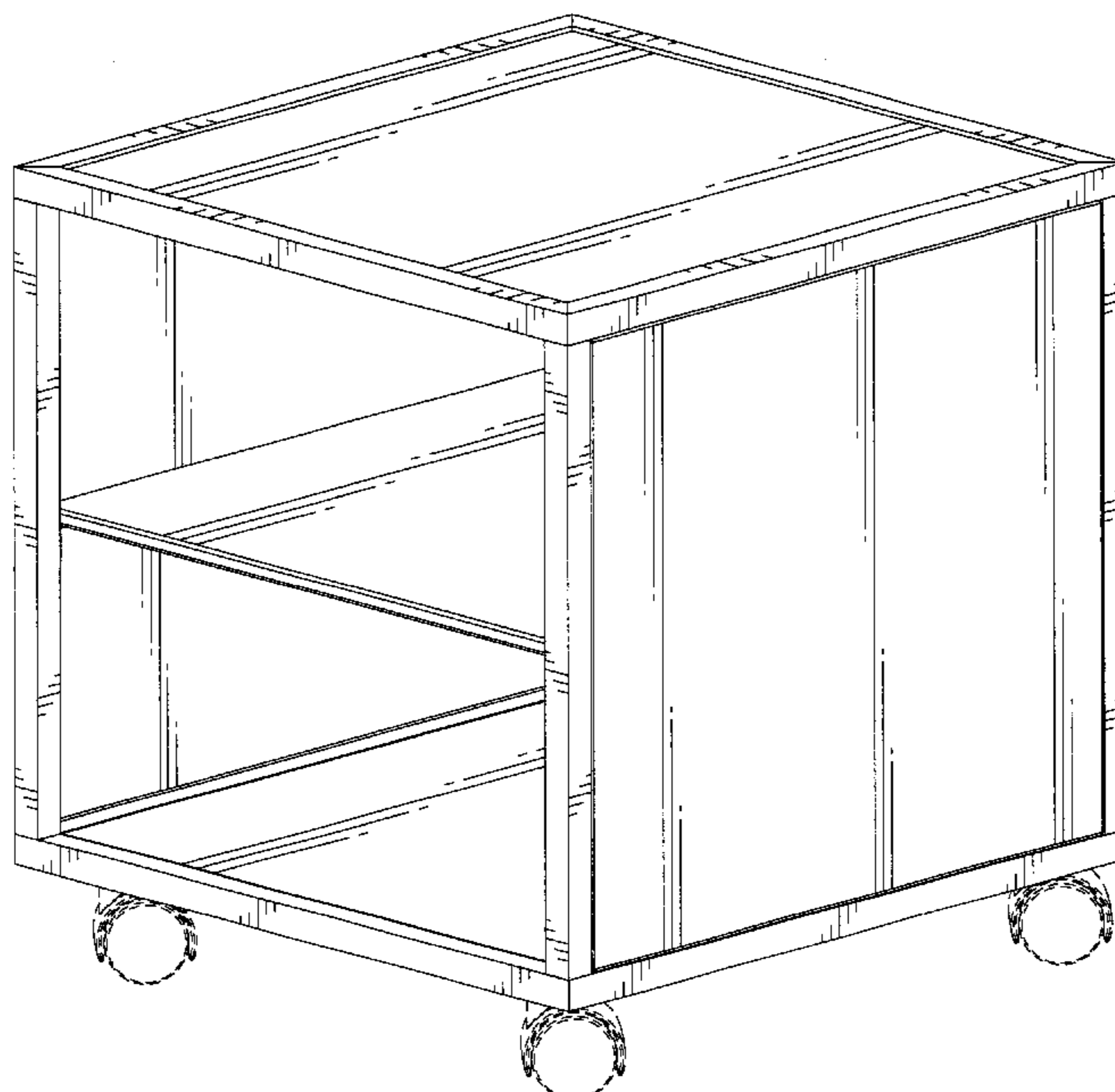
(57) **CLAIM**

The ornamental design for a cube unit, as shown and described.

DESCRIPTION

FIG. 1 is a perspective view of the cube unit of the instant invention;
FIG. 2 is a front elevation view thereof;
FIG. 3 is a rear view thereof;
FIG. 4 is a right side view thereof;
FIG. 5 is a left side view thereof;
FIG. 6 is a top view thereof; and,
FIG. 7 is a bottom view thereof.
The broken lines are for illustrative purposes only and form no part of the claimed design.

1 Claim, 6 Drawing Sheets



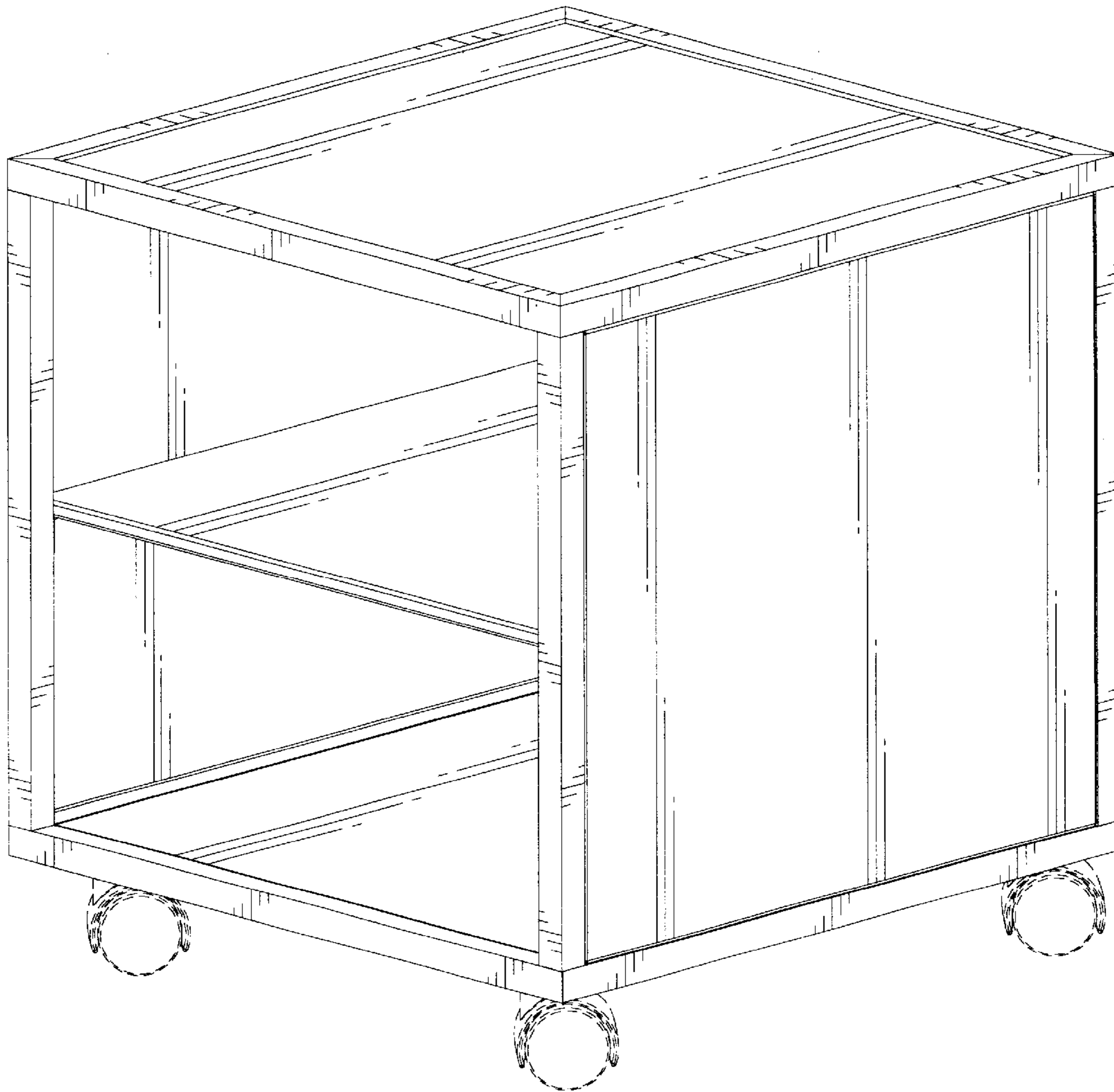


Figure 1

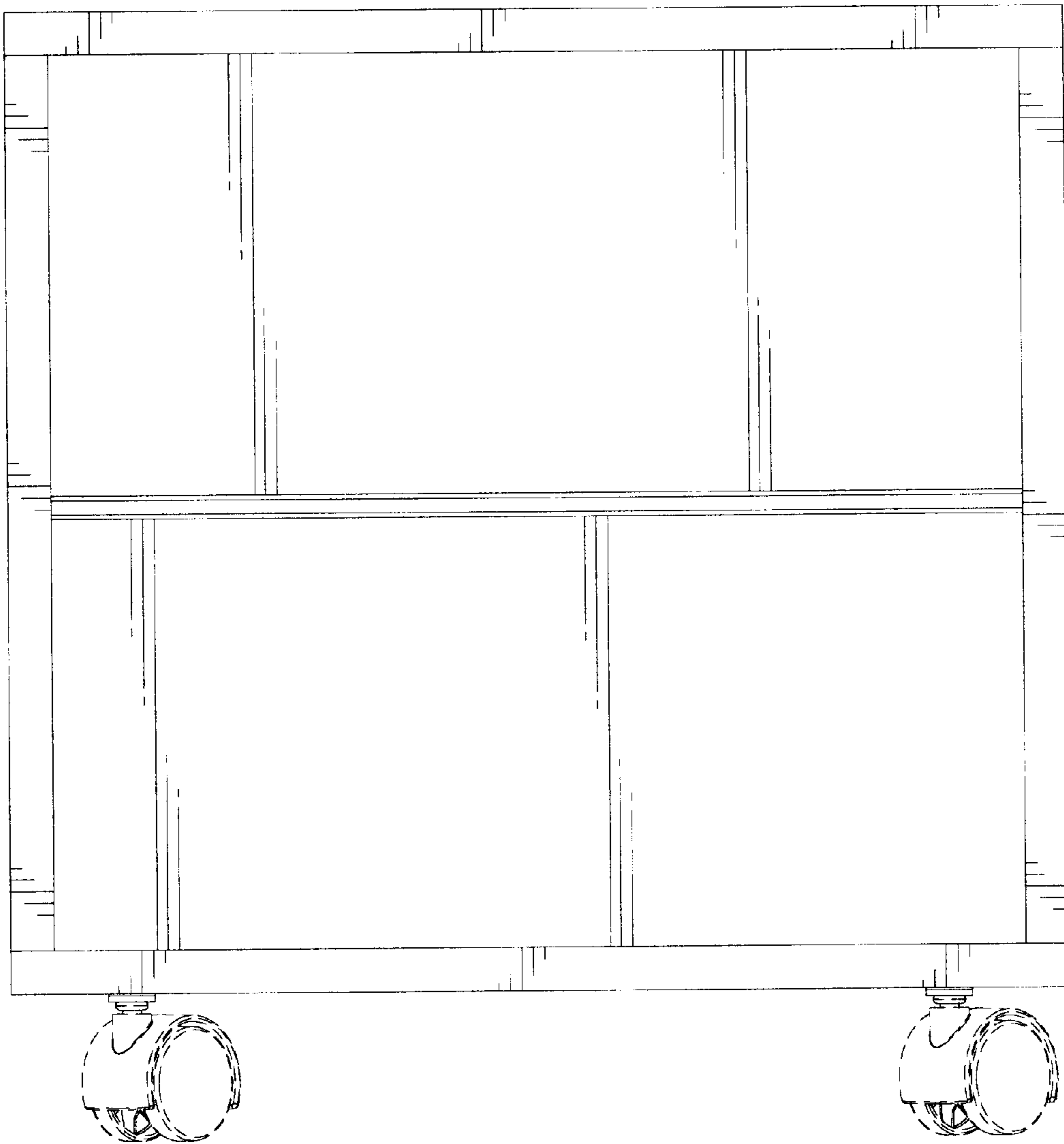


Figure 2

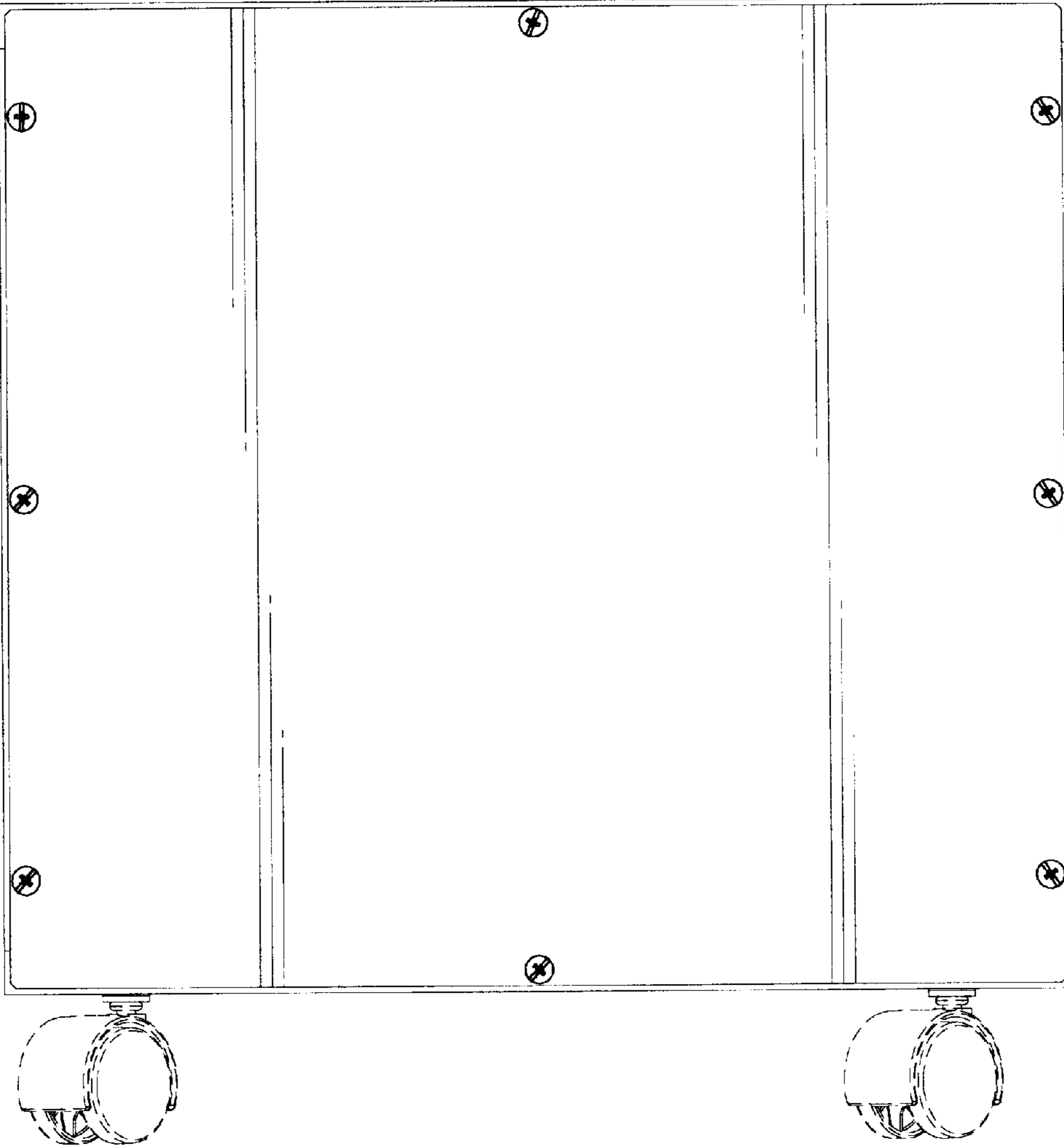


Figure 3

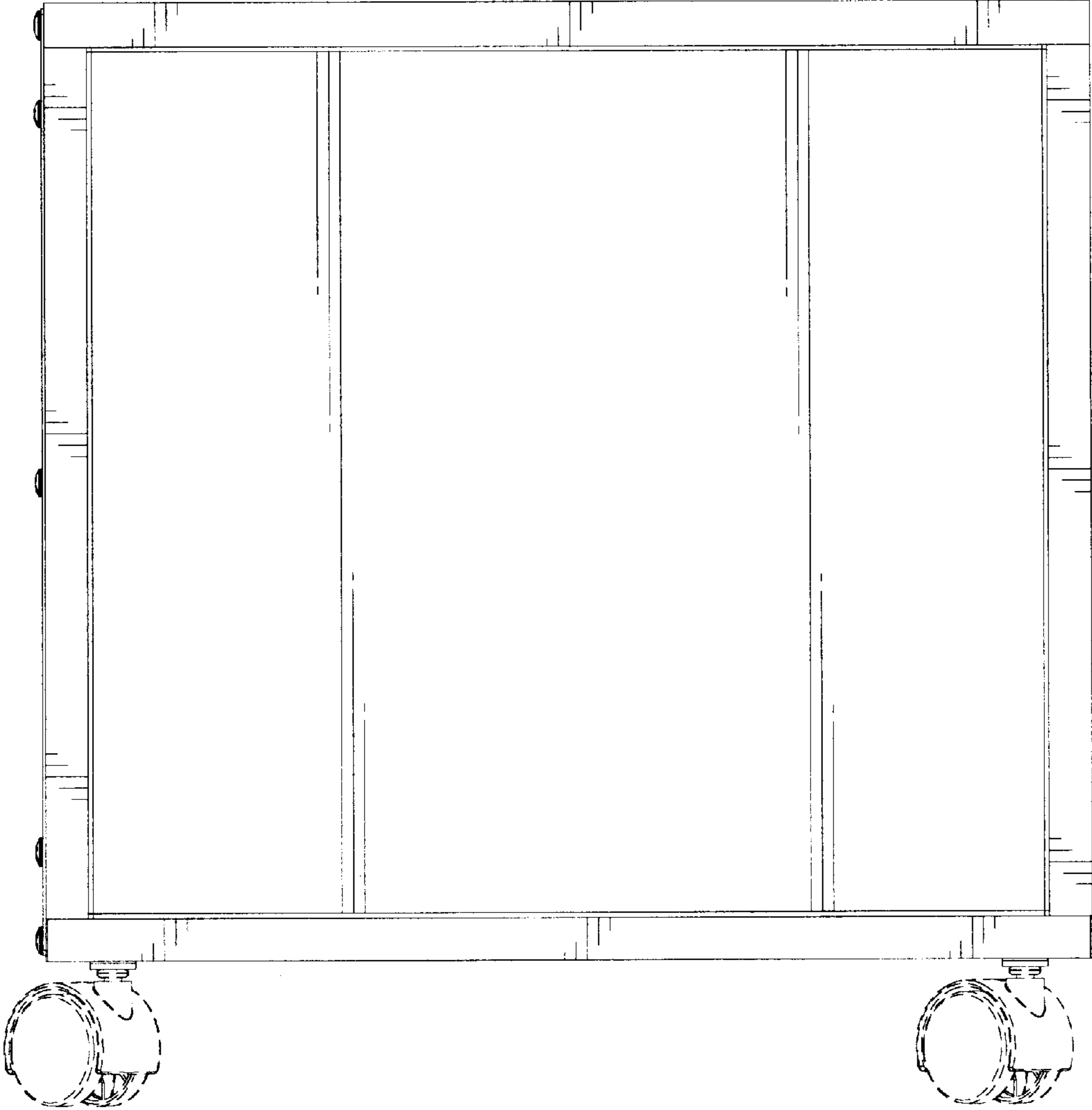


Figure 4

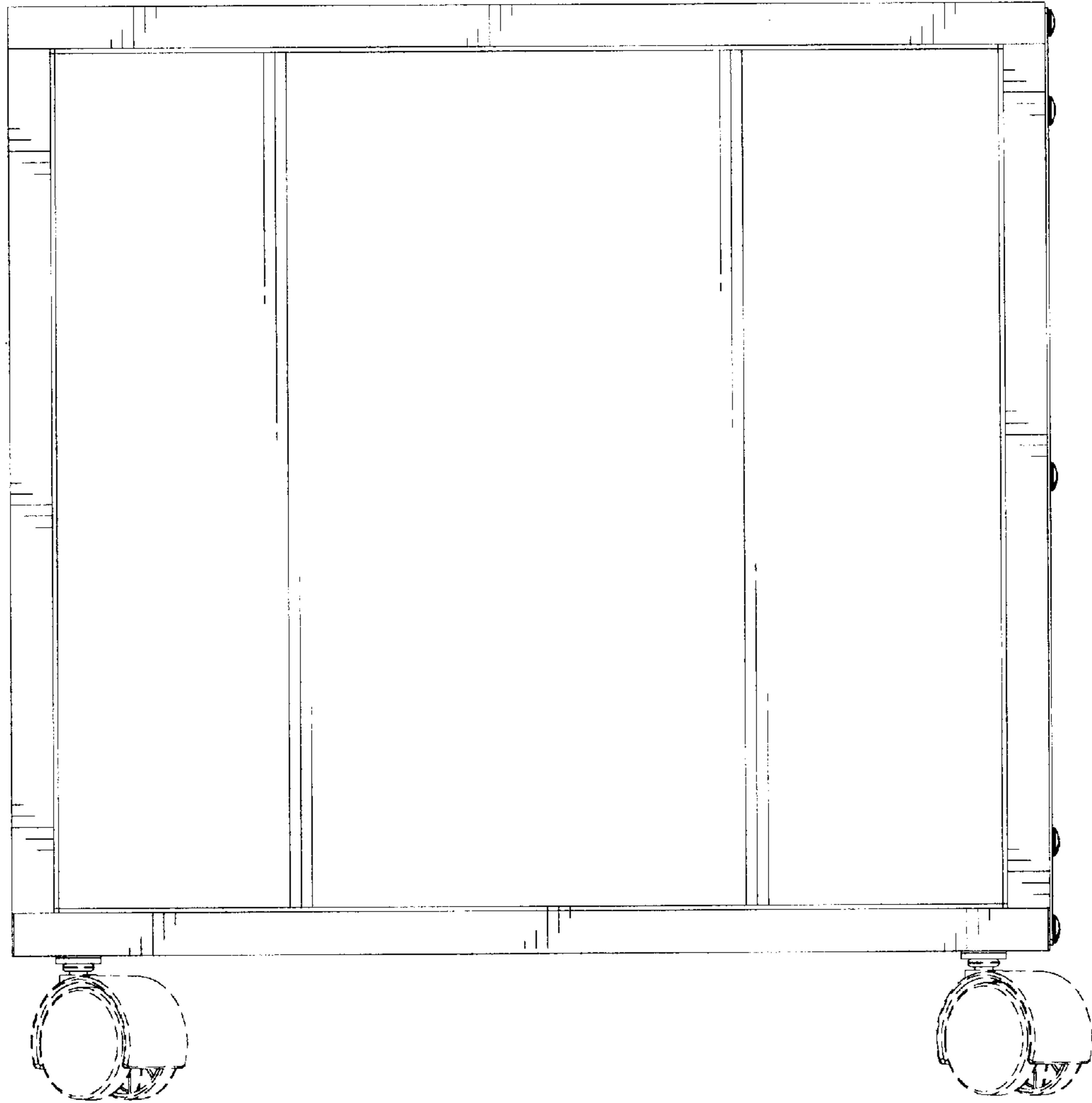


Figure 5

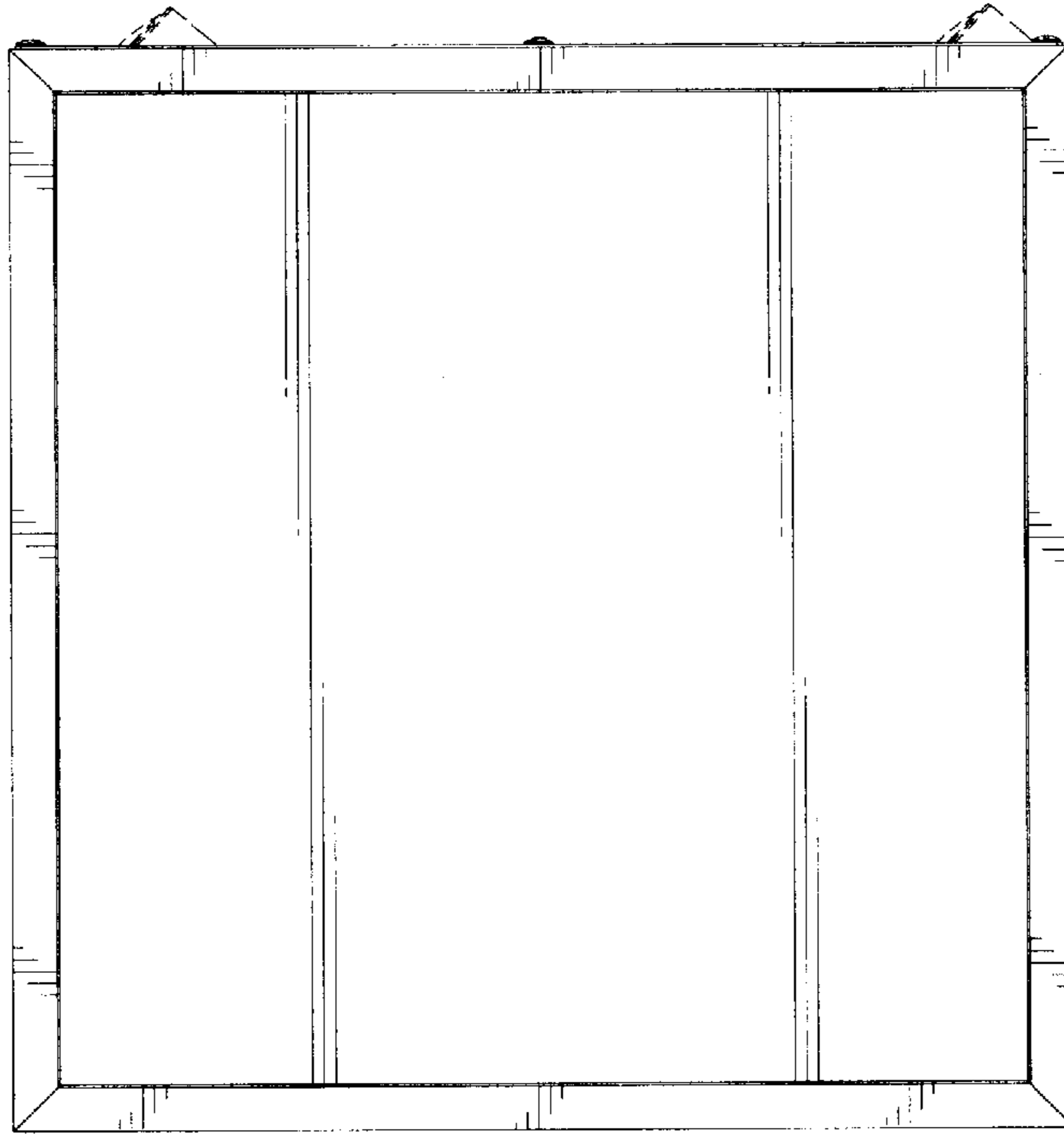


Figure 6

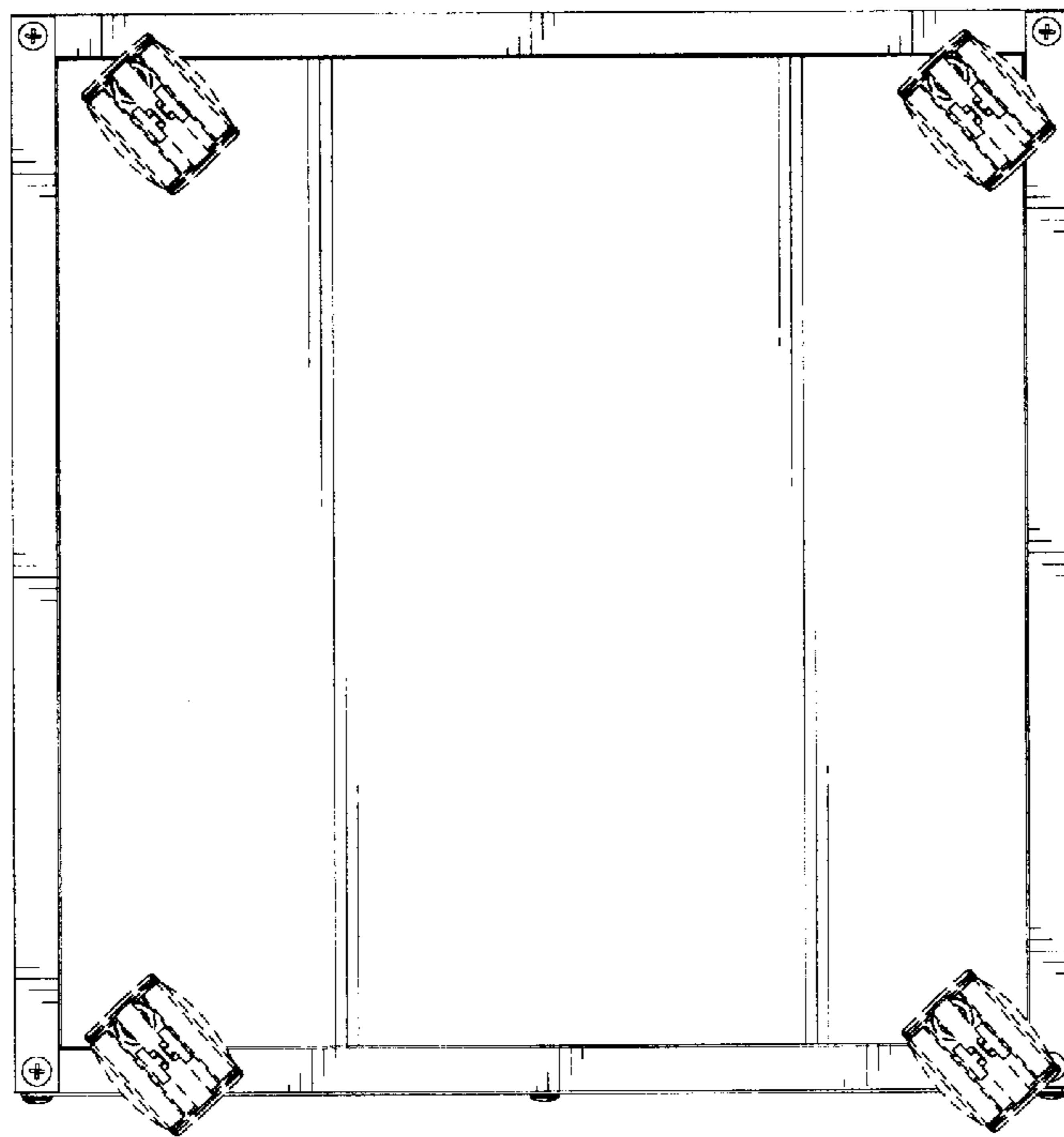


Figure 7