



US00D515844S

(12) **United States Design Patent**
Pryor

(10) **Patent No.:** **US D515,844 S**

(45) **Date of Patent:** **** Feb. 28, 2006**

(54) **STORAGE RACK**

(76) **Inventor:** **Nicholas Pryor**, P.O. Box 849,
Hampstead, NC (US) 28443-0849

(**) **Term:** **14 Years**

(21) **Appl. No.:** **29/217,226**

(22) **Filed:** **Nov. 16, 2004**

(51) **LOC (8) Cl. 06-04**

(52) **U.S. Cl. D6/464**

(58) **Field of Classification Search** D6/455,
D6/437, 411, 436, 457-469; 108/59, 91,
108/92, 149, 107, 181; 211/13.1, 85.2, 78,
211/85.26, 205, 181.1, 182, 189, 34, 37, 186,
211/187, 133.2

See application file for complete search history.

(56) **References Cited**

U.S. PATENT DOCUMENTS

2,743,020 A	4/1956	Rubenstein
4,177,903 A	12/1979	Edelson et al.
D283,570 S	4/1986	Penner
4,697,713 A	10/1987	Pryor

D324,139 S	2/1992	Frazier
D343,075 S	1/1994	Cappel, III
5,435,295 A	7/1995	Gerrard
D446,968 S	8/2001	Spencer
D469,985 S	2/2003	Pryor

Primary Examiner—Antoine Duval Davis
Assistant Examiner—Sydney R. Buffalow
(74) *Attorney, Agent, or Firm*—Burns Doane Swecker & Mathis

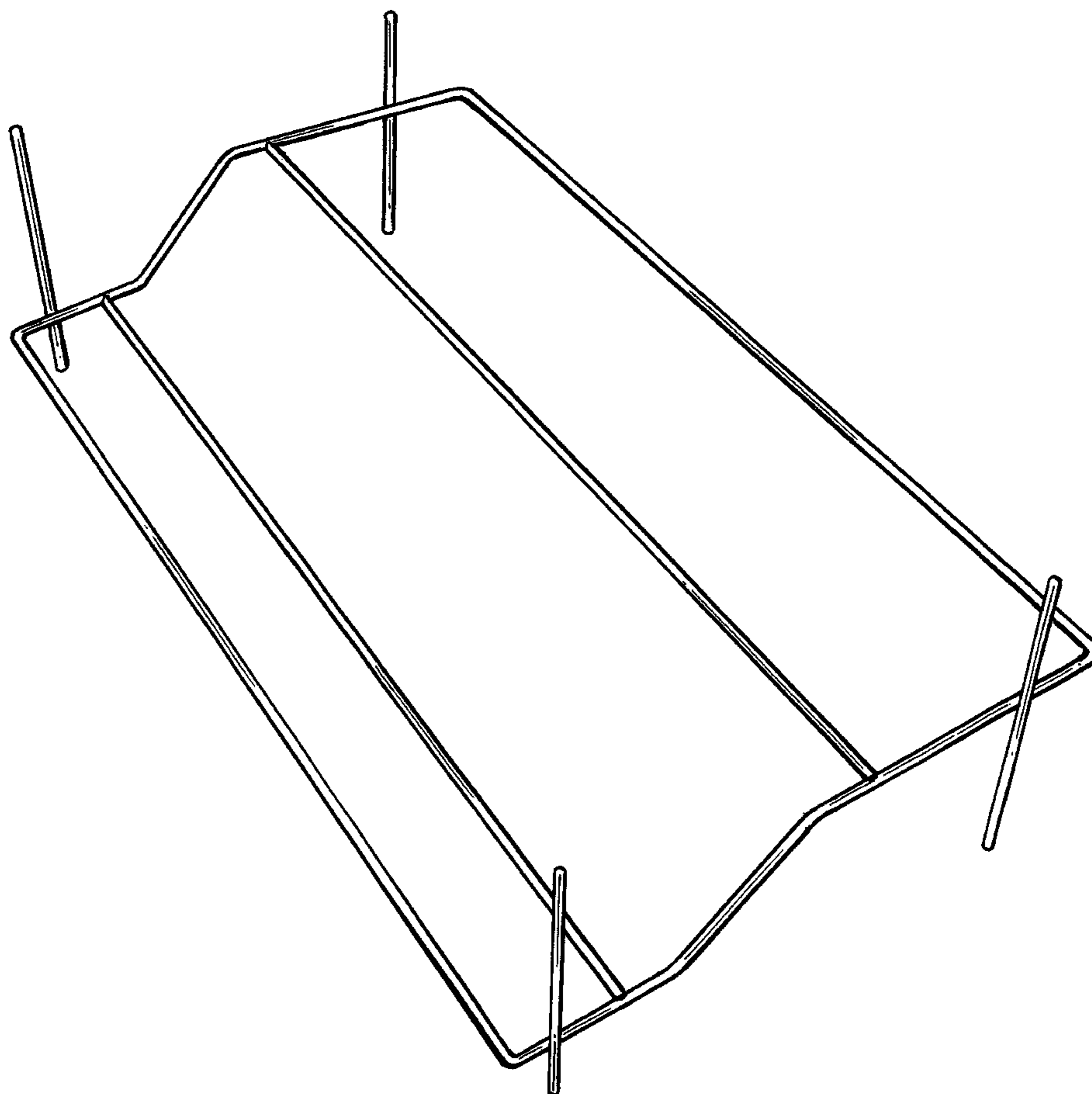
(57) **CLAIM**

The ornamental design for a storage rack, as shown and described.

DESCRIPTION

FIG. 1 is a front, top perspective view of a storage rack showing my new design.
FIG. 2 is a top plan view thereof.
FIG. 3 is a bottom plan view thereof
FIG. 4 is a front elevational view thereof.
FIG. 5 is a rear elevational view thereof; and,
FIG. 6 is a right side elevational view; the left side being a mirror image thereof.

1 Claim, 5 Drawing Sheets



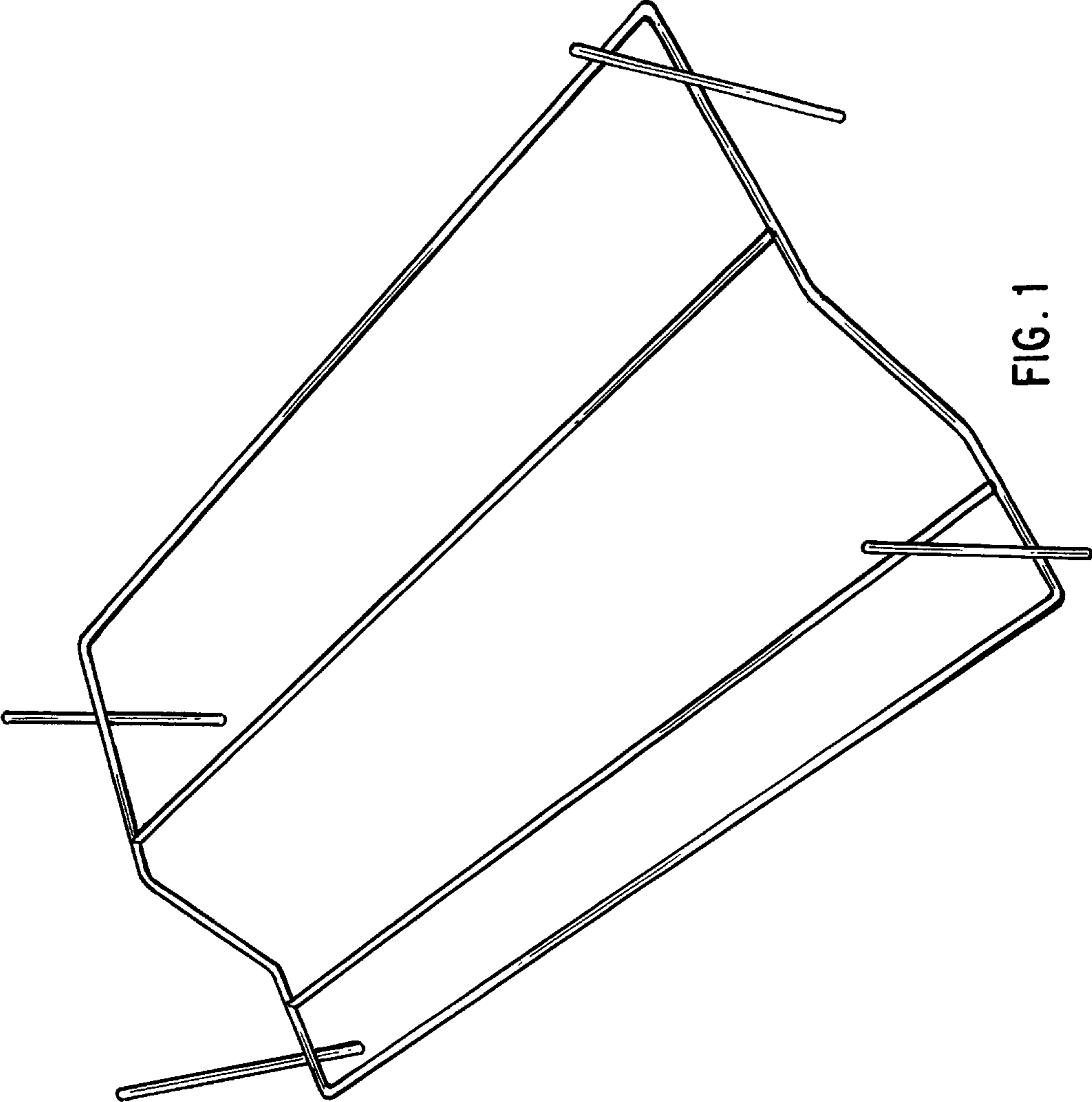


FIG. 1

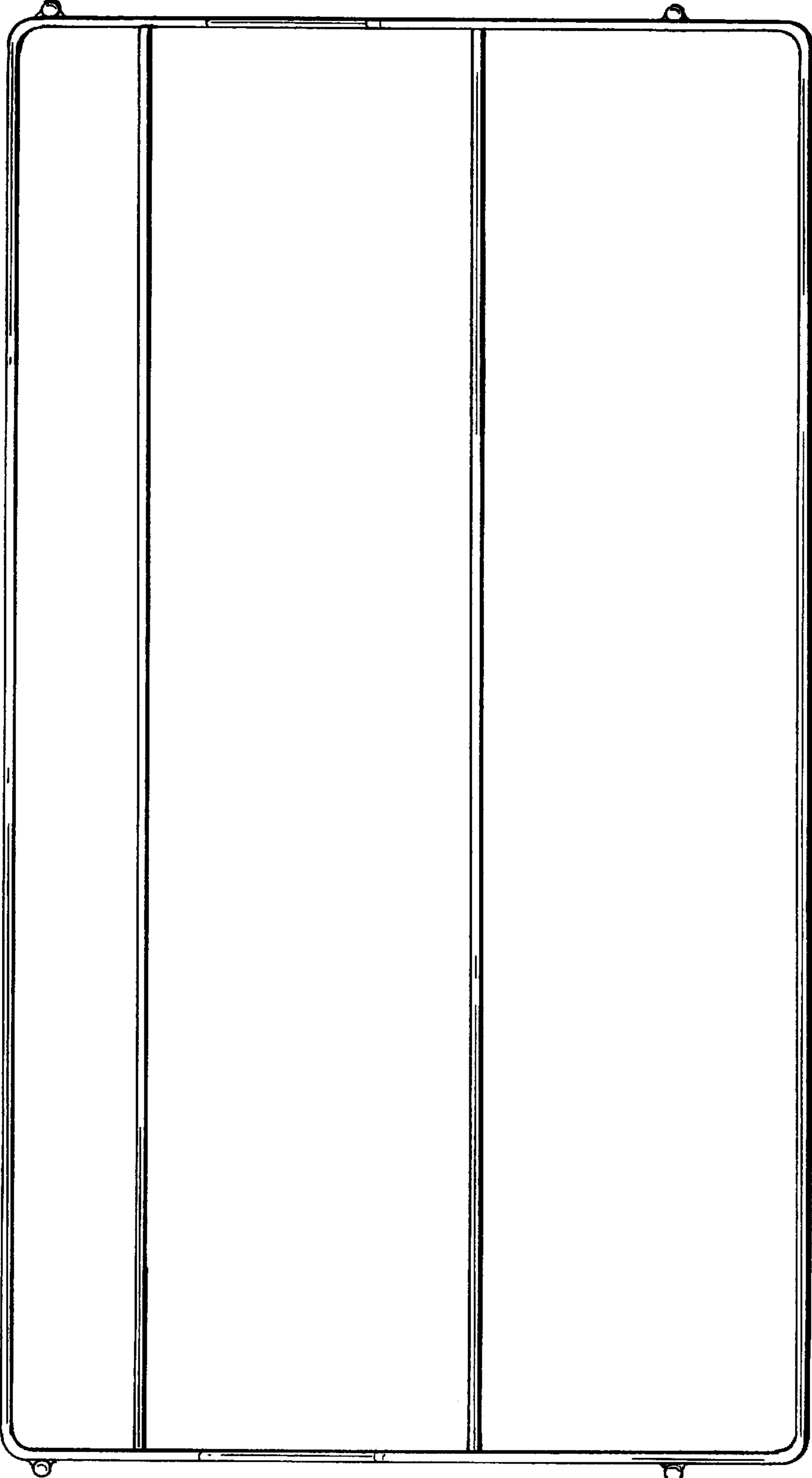


FIG. 2

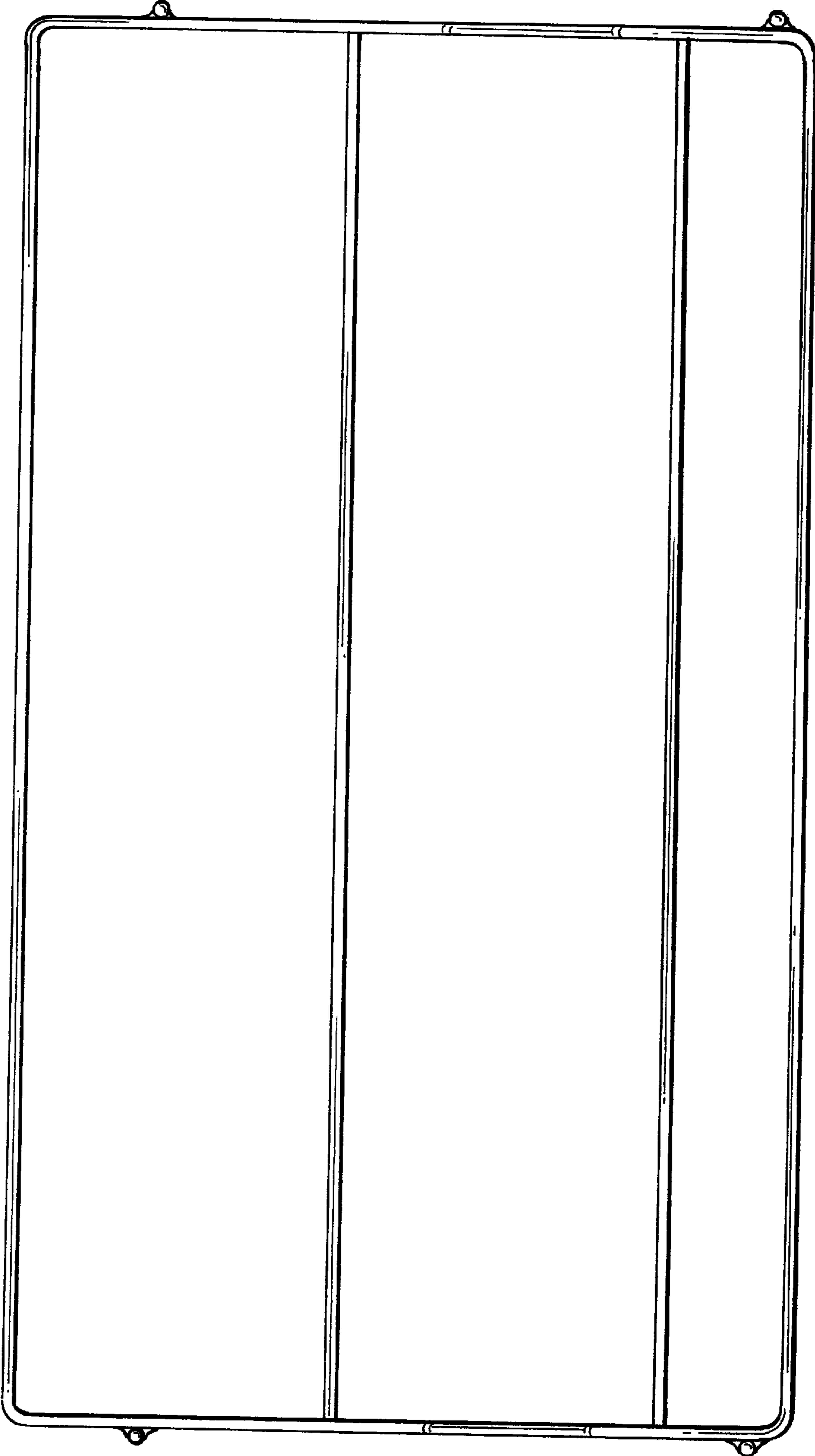


FIG. 3

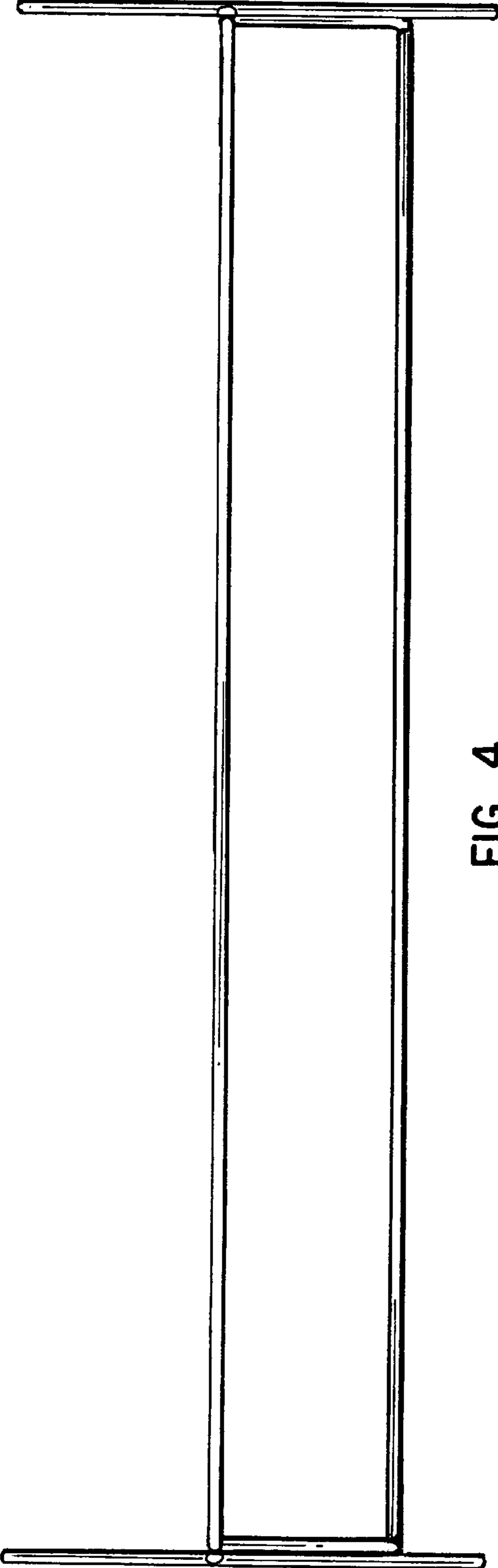


FIG. 4

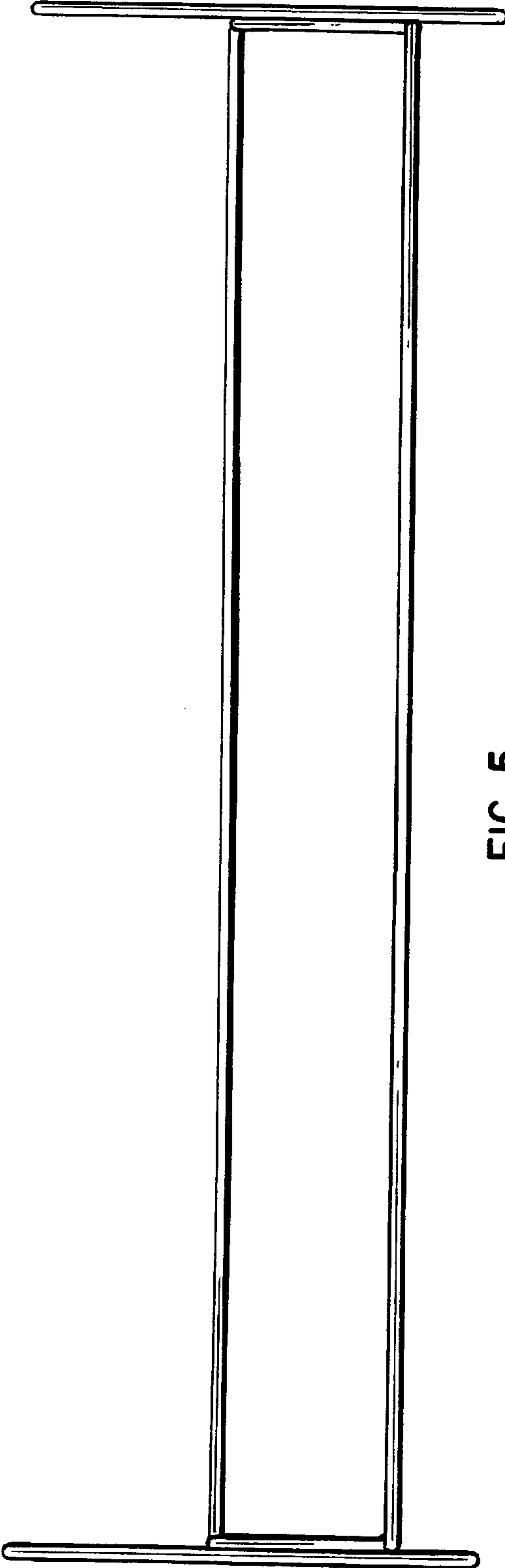


FIG. 5

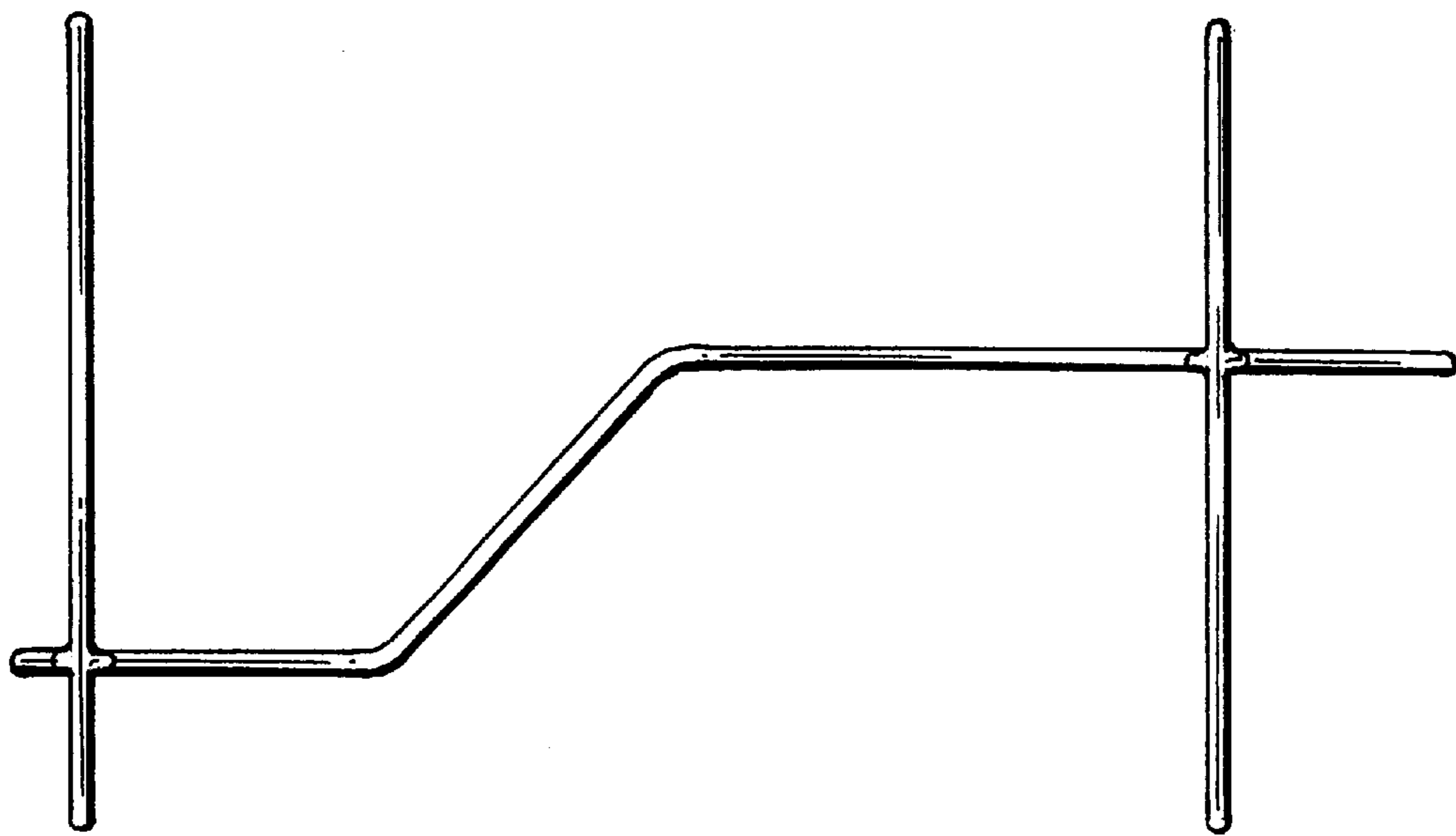


FIG. 6