



US00D515841S

(12) **United States Design Patent**
Hsu

(10) **Patent No.:** **US D515,841 S**

(45) **Date of Patent:** **** Feb. 28, 2006**

(54) **FOLDABLE TABLE**

6,334,400 B1 * 1/2002 Nien 108/115
D469,623 S * 2/2003 Norbut, Jr. D6/429

(76) Inventor: **Hsiu-Chen Hsu**, No. 231-1, Shenchou Rd., Hsichou Village, Shengkang Hsiang, Taichung Hsien (TW)

* cited by examiner

(**) Term: **14 Years**

Primary Examiner—Janice E. Seeger
(74) *Attorney, Agent, or Firm*—Dellett and Walters

(21) Appl. No.: **29/210,095**

(57) **CLAIM**

(22) Filed: **Jul. 26, 2004**

The ornamental design for a foldable table, as shown and described.

(51) **LOC (8) Cl.** **06-03**

DESCRIPTION

(52) **U.S. Cl.** **D6/429; D6/480**

(58) **Field of Classification Search** D6/480–489,
D6/495–499, 511, 429–431; 108/150, 153.1,
108/155, 156, 157.1, 161, 115, 34, 35, 129;
248/188, 188.1, 188.8

FIG. 1 is a perspective view of the foldable table showing my new design;
FIG. 2 is a front view thereof;
FIG. 3 is a rear view thereof;
FIG. 4 is a left side view thereof;
FIG. 5 is a right side view thereof;
FIG. 6 is a top view thereof;
FIG. 7 is a bottom view thereof; and,
FIG. 8 is a referential perspective view of the foldable table, wherein the foldable table is folded to become suitcase-alike.

See application file for complete search history.

(56) **References Cited**

U.S. PATENT DOCUMENTS

2,253,772 A * 8/1941 Edgren 108/62
D420,527 S * 2/2000 Pinch et al. D6/429
D432,334 S * 10/2000 Risdall D6/487
D437,145 S * 2/2001 Leng D6/429

1 Claim, 7 Drawing Sheets

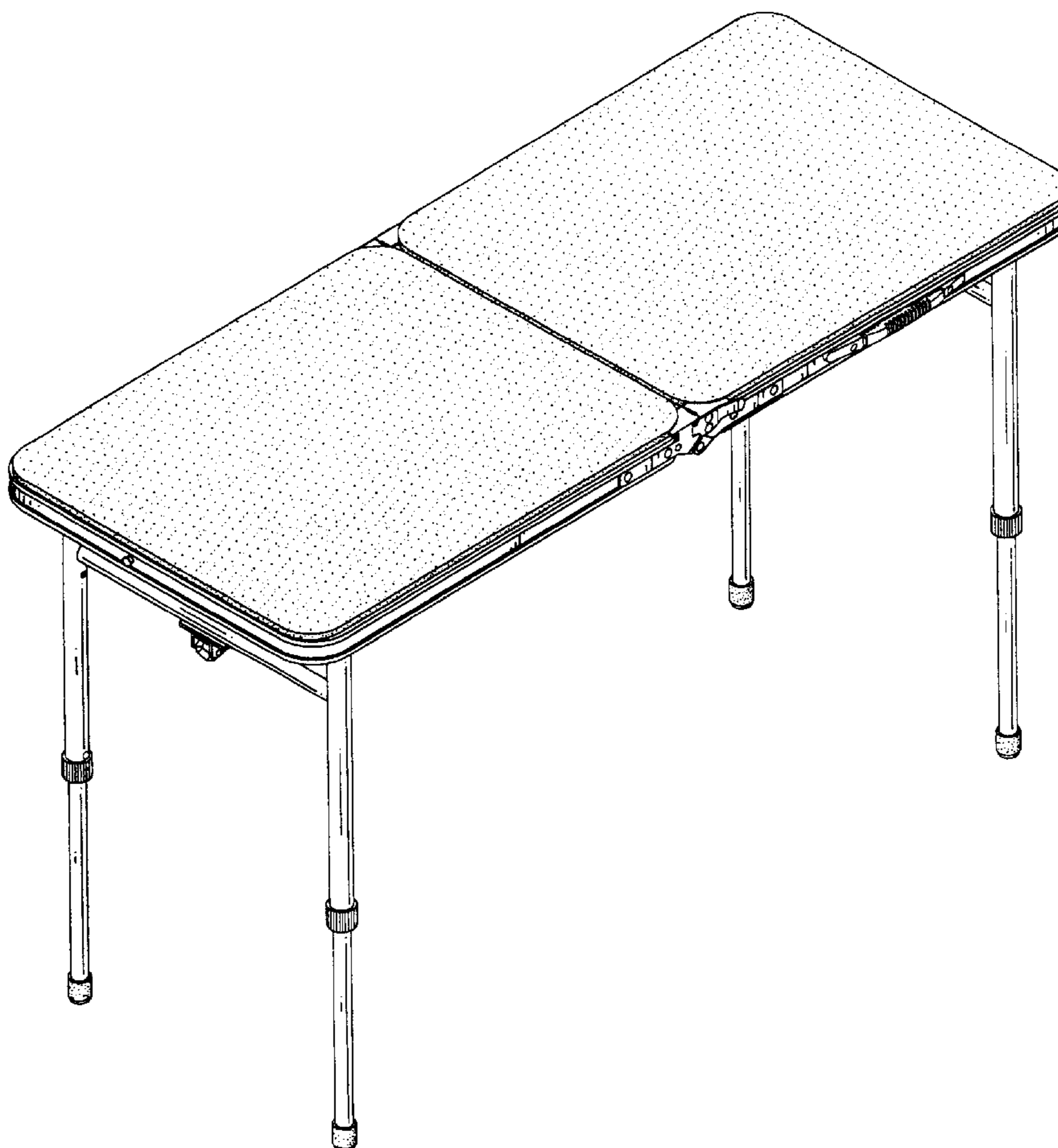




FIG. 1

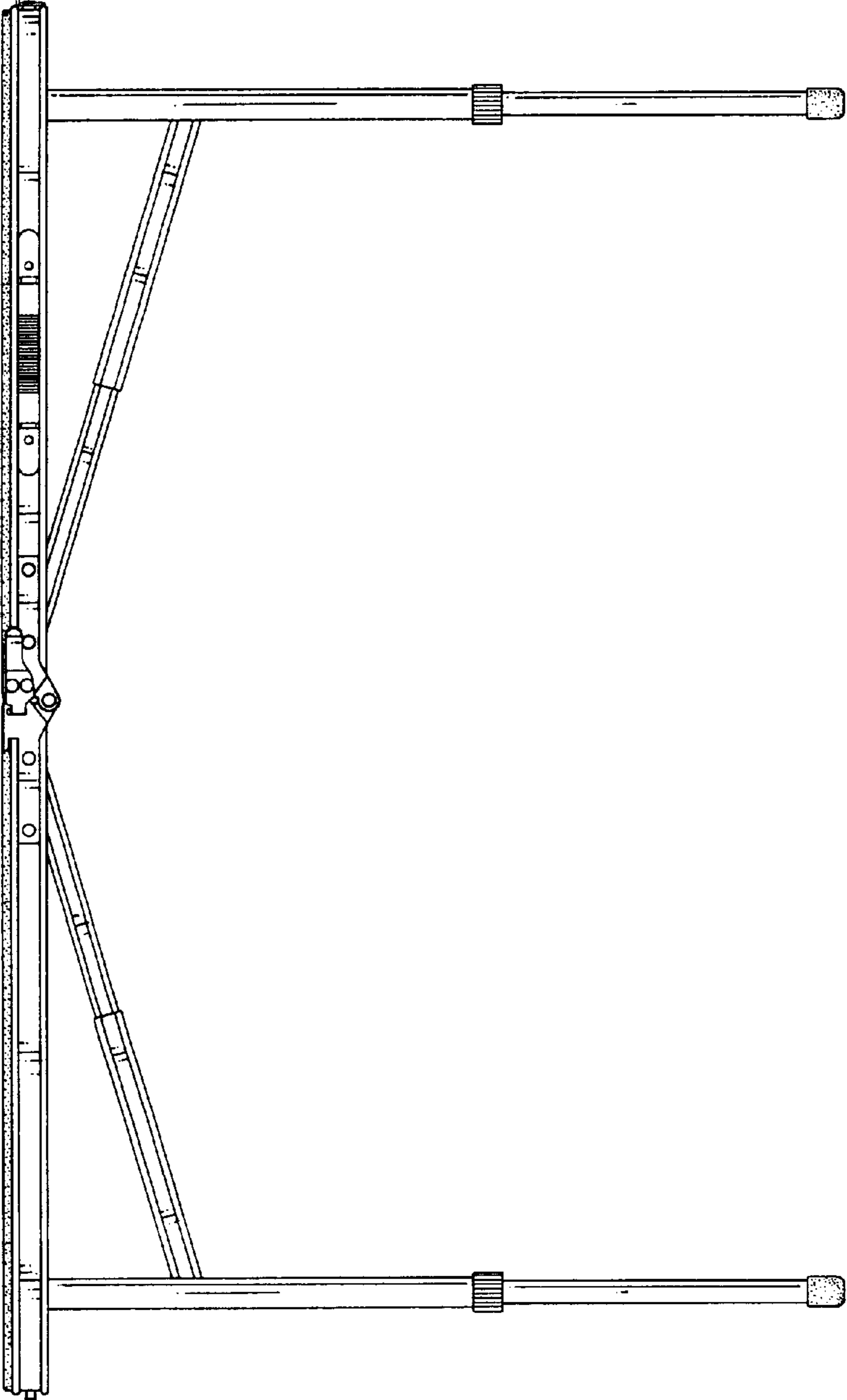


FIG. 2

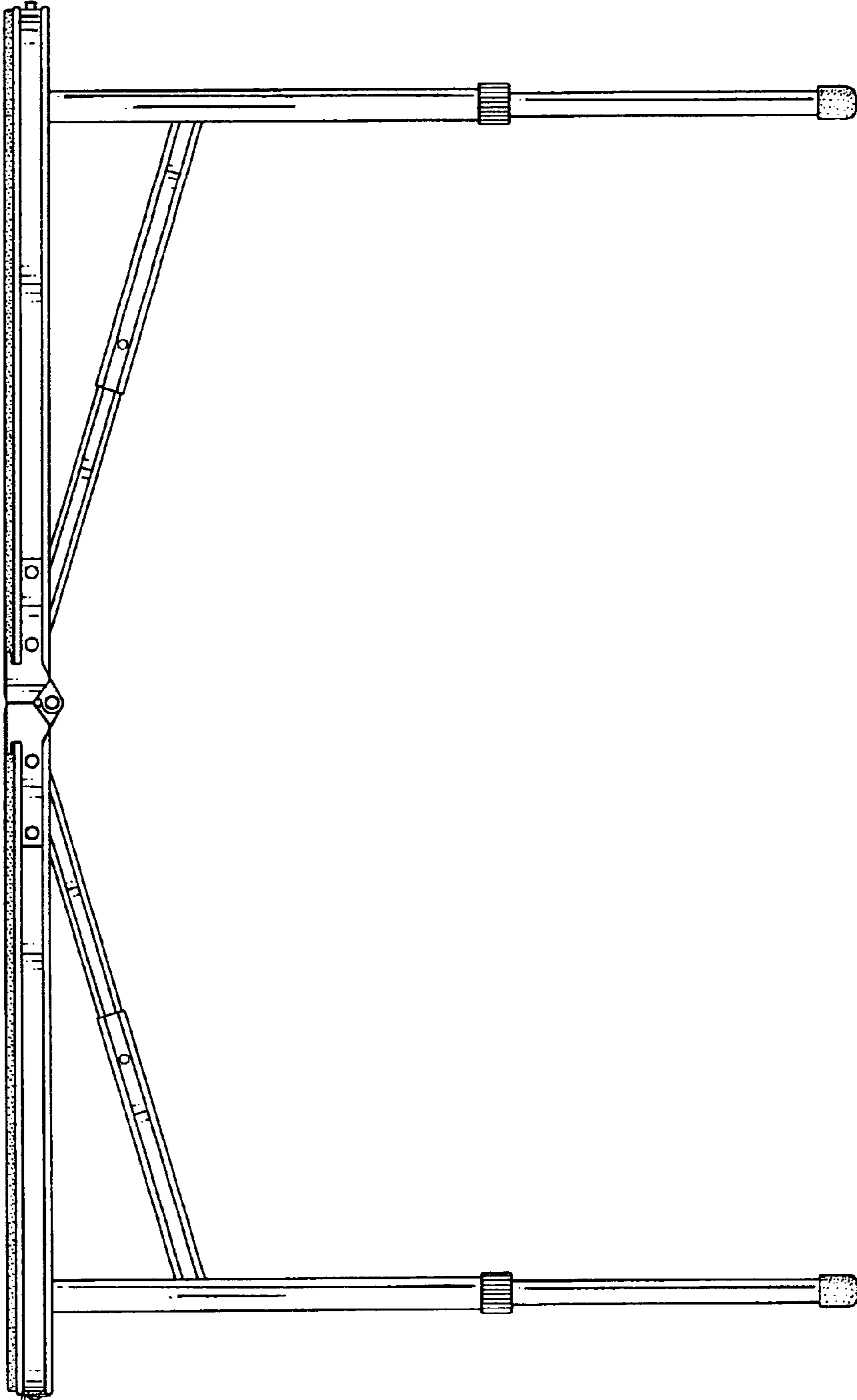


FIG. 3

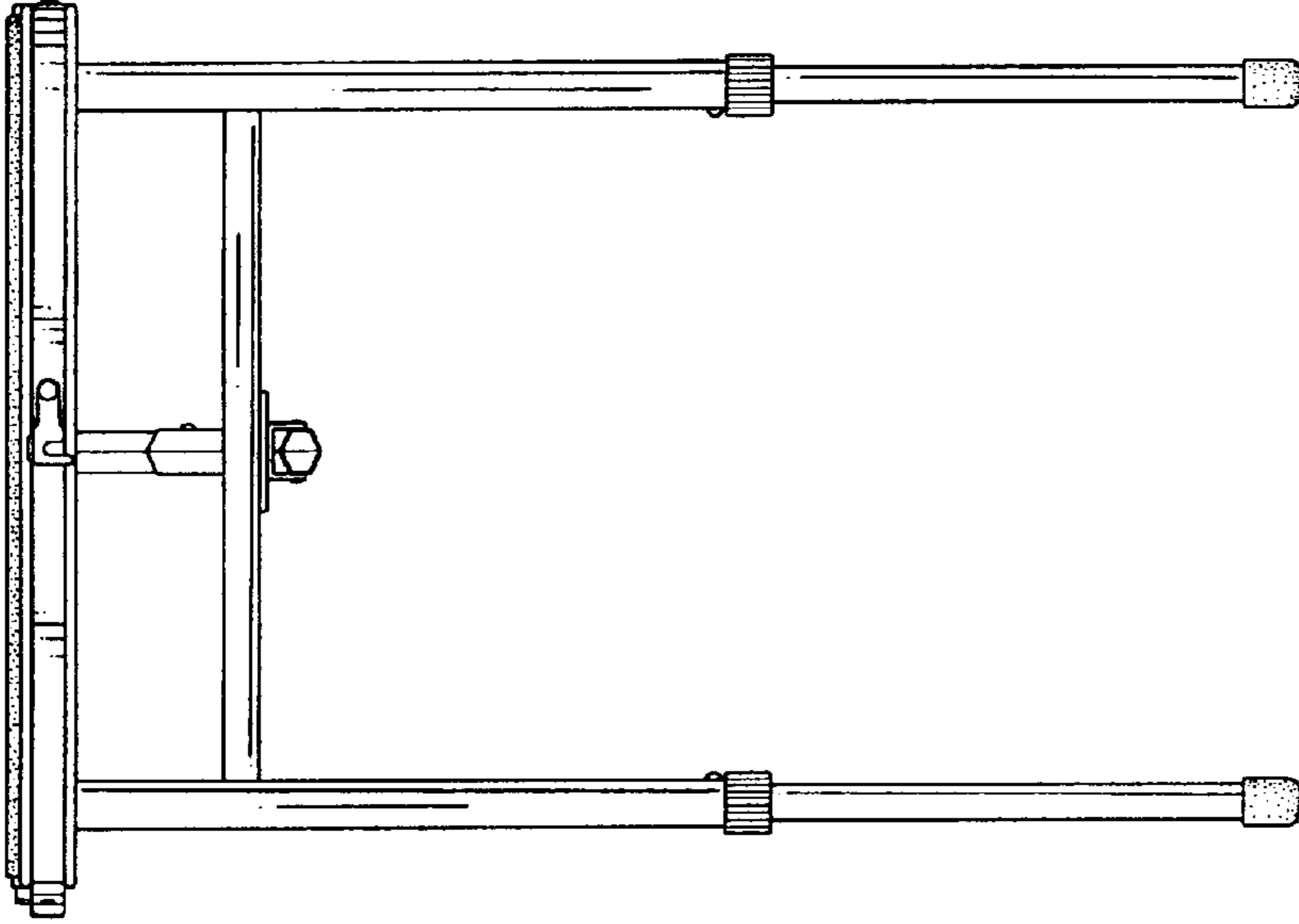


FIG. 5

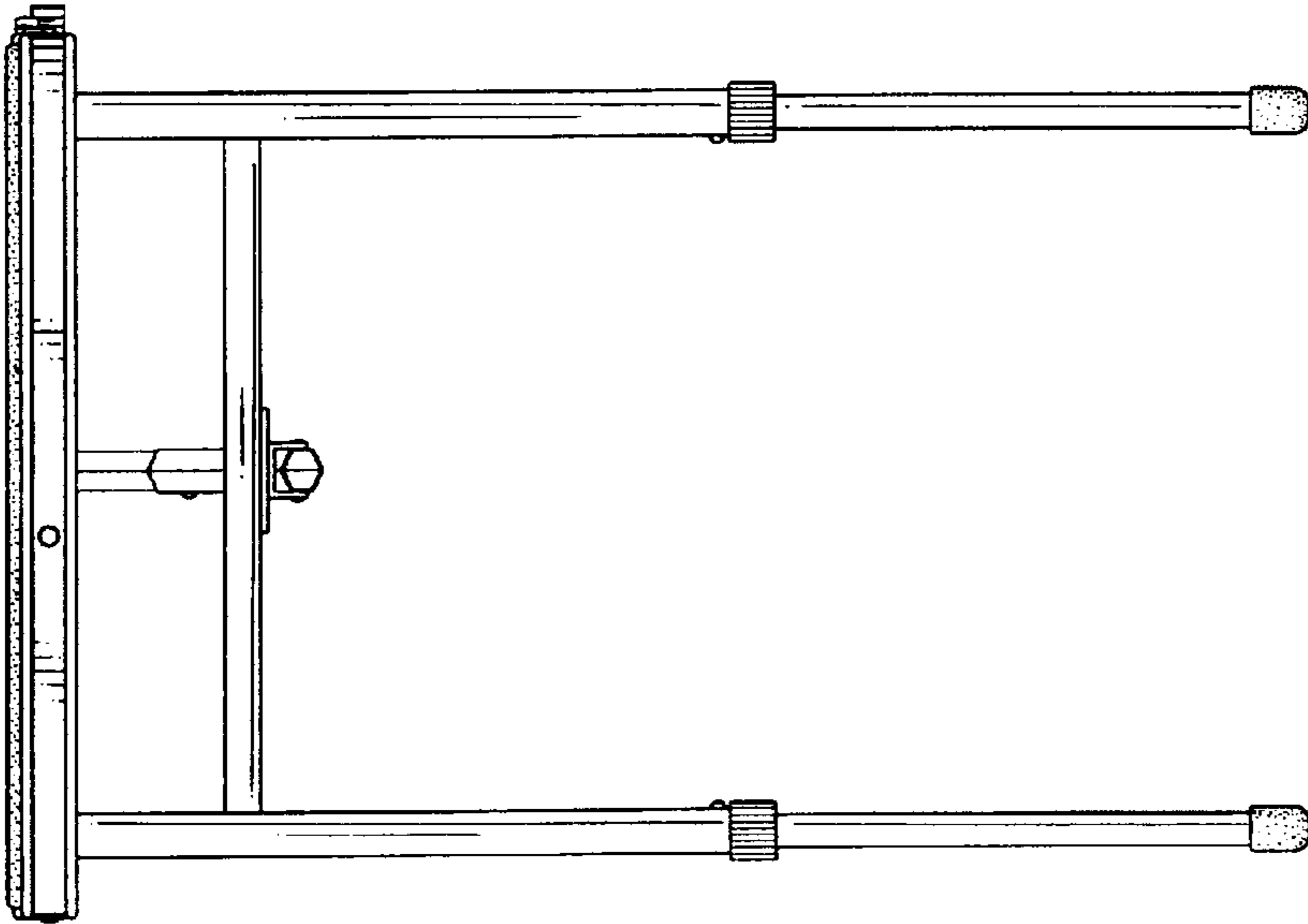


FIG. 4

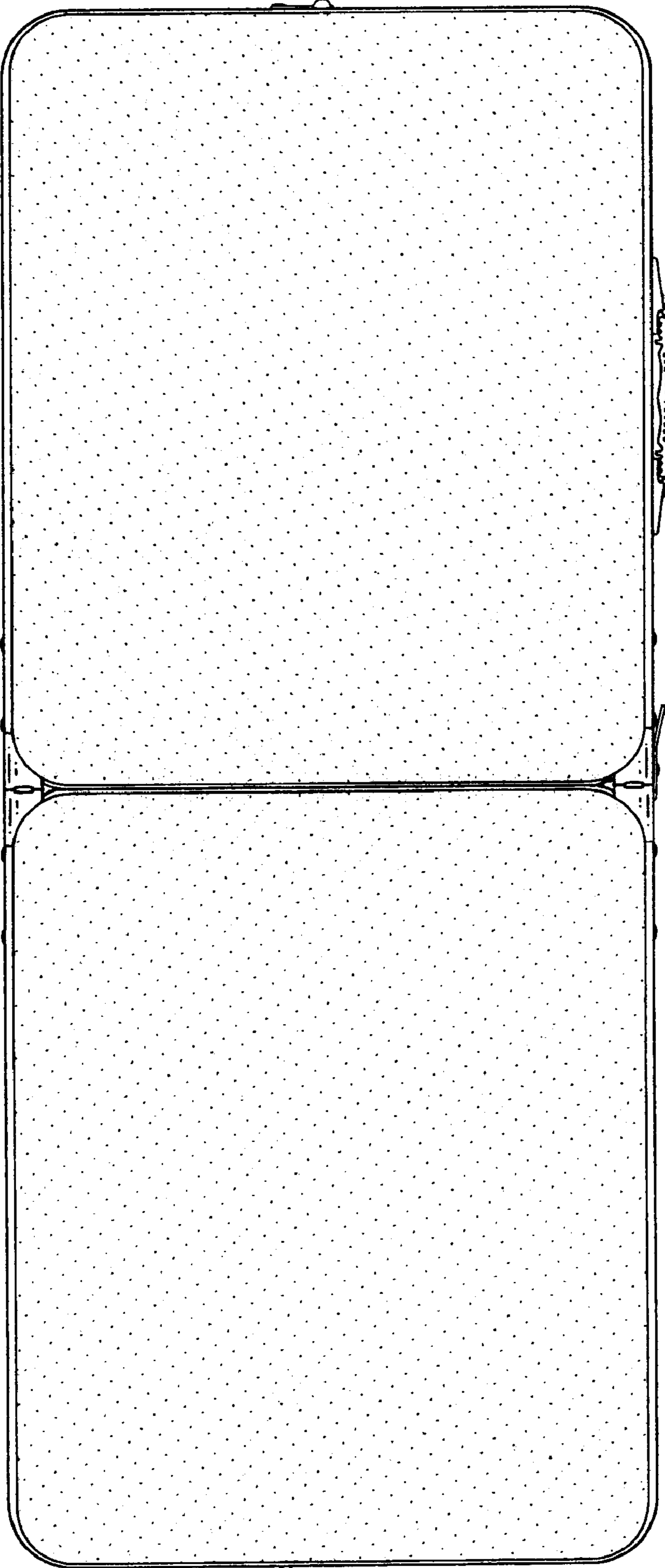


FIG. 6

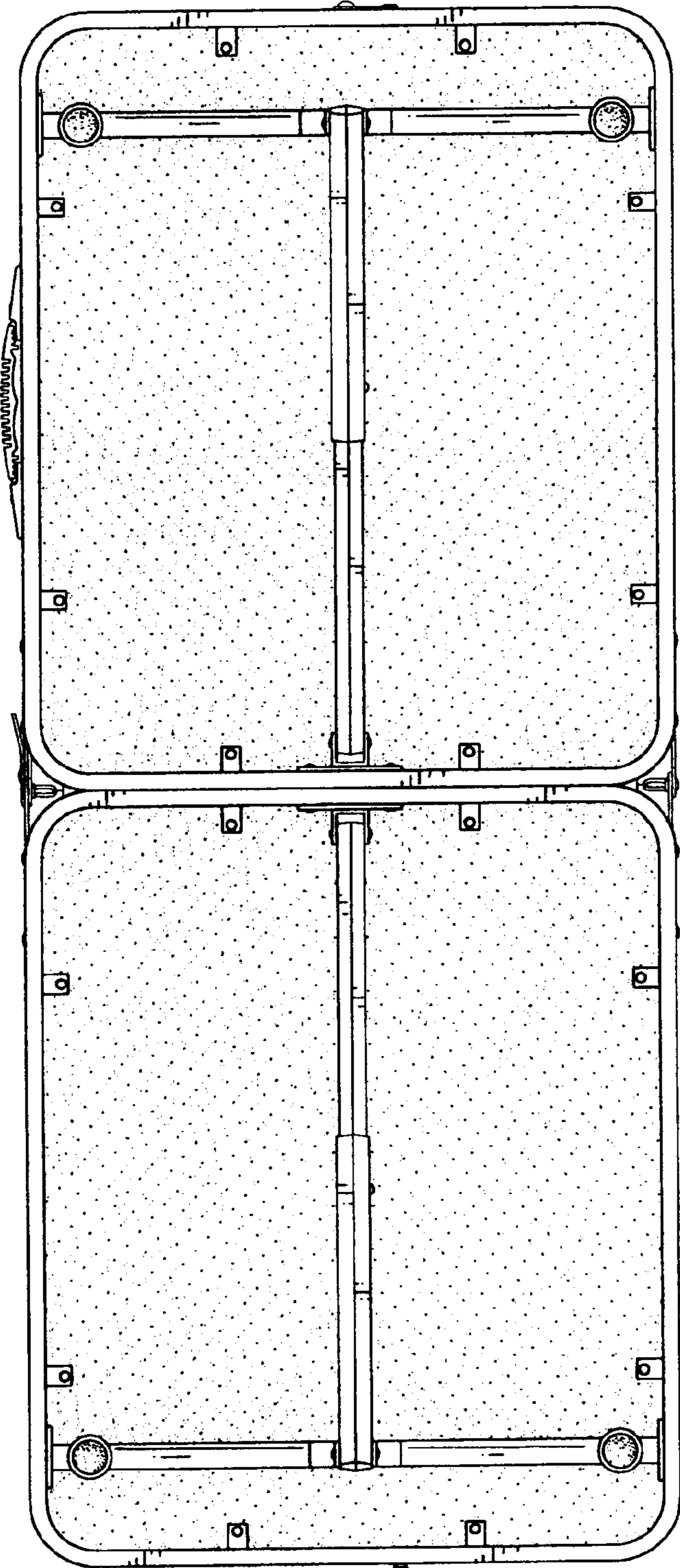


FIG. 7

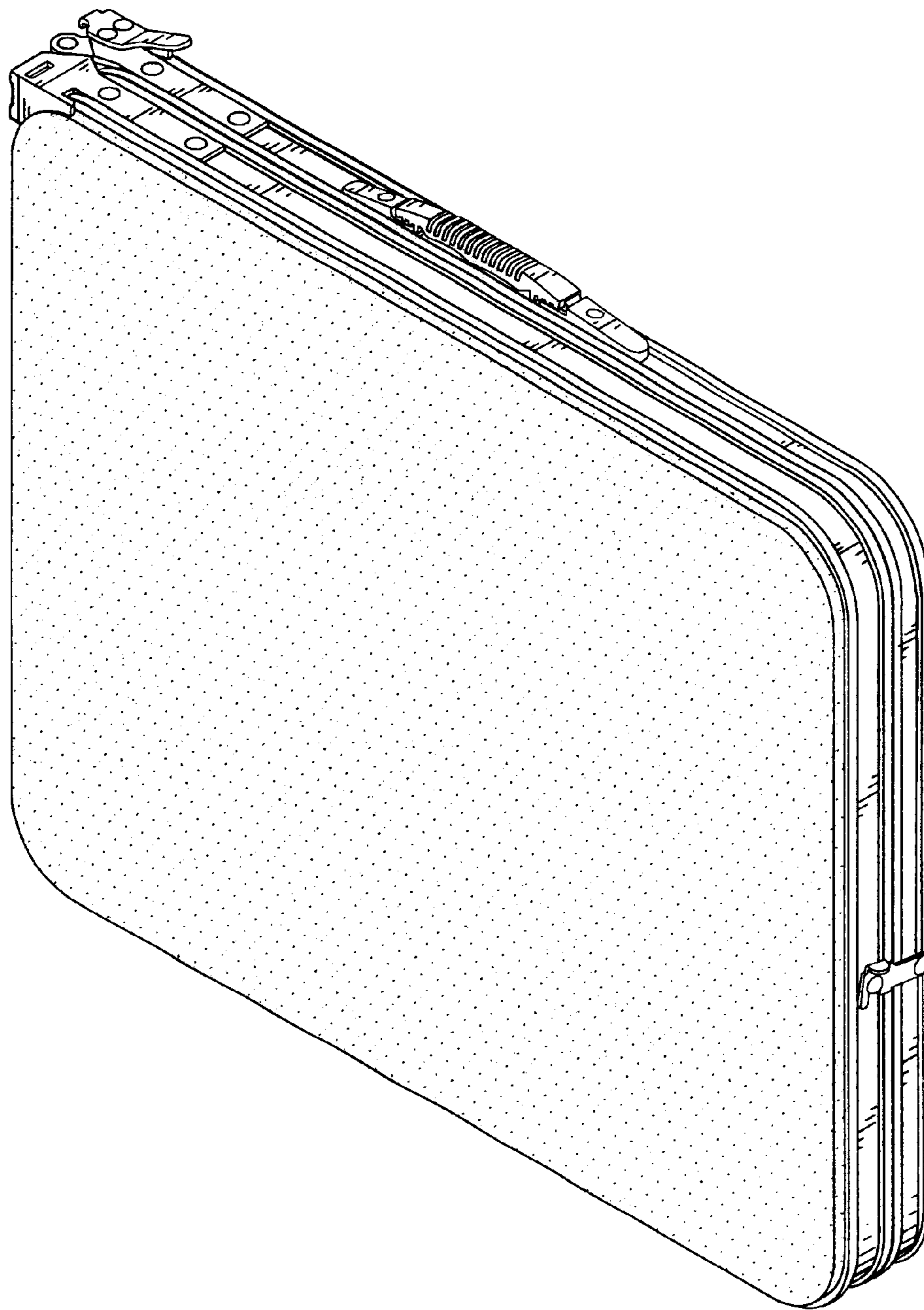


FIG. 8