



US00D515840S

(12) **United States Design Patent**
Bellini

(10) **Patent No.:** **US D515,840 S**
(45) **Date of Patent:** **** Feb. 28, 2006**

(54) **FURNITURE**

(75) **Inventor:** **Claudio Bellini, Milan (IT)**

(73) **Assignee:** **Frezza S.p.A., Vidor (IT)**

(**) **Term:** **14 Years**

(21) **Appl. No.:** **29/214,705**

(22) **Filed:** **Oct. 8, 2004**

(30) **Foreign Application Priority Data**

Apr. 14, 2004 (IT) TV2004O0015

(51) **LOC (8) Cl.** **06-03**

(52) **U.S. Cl.** **D6/427**

(58) **Field of Classification Search** D6/421-428;
312/194-196, 208.1, 208.2, 238, 239; 108/50.01,
108/50.02, 60

See application file for complete search history.

(56) **References Cited**

U.S. PATENT DOCUMENTS

D151,111 S * 9/1948 Westlake D6/427

D184,036 S * 12/1958 Carlson D6/397
D281,294 S * 11/1985 Hoppe D6/422
D327,184 S * 6/1992 Rosen D6/427
D399,683 S * 10/1998 Nicklas D6/484

* cited by examiner

Primary Examiner—Janice E. Seeger

(74) *Attorney, Agent, or Firm*—Hoffman, Wasson & Gitler,
P.C.

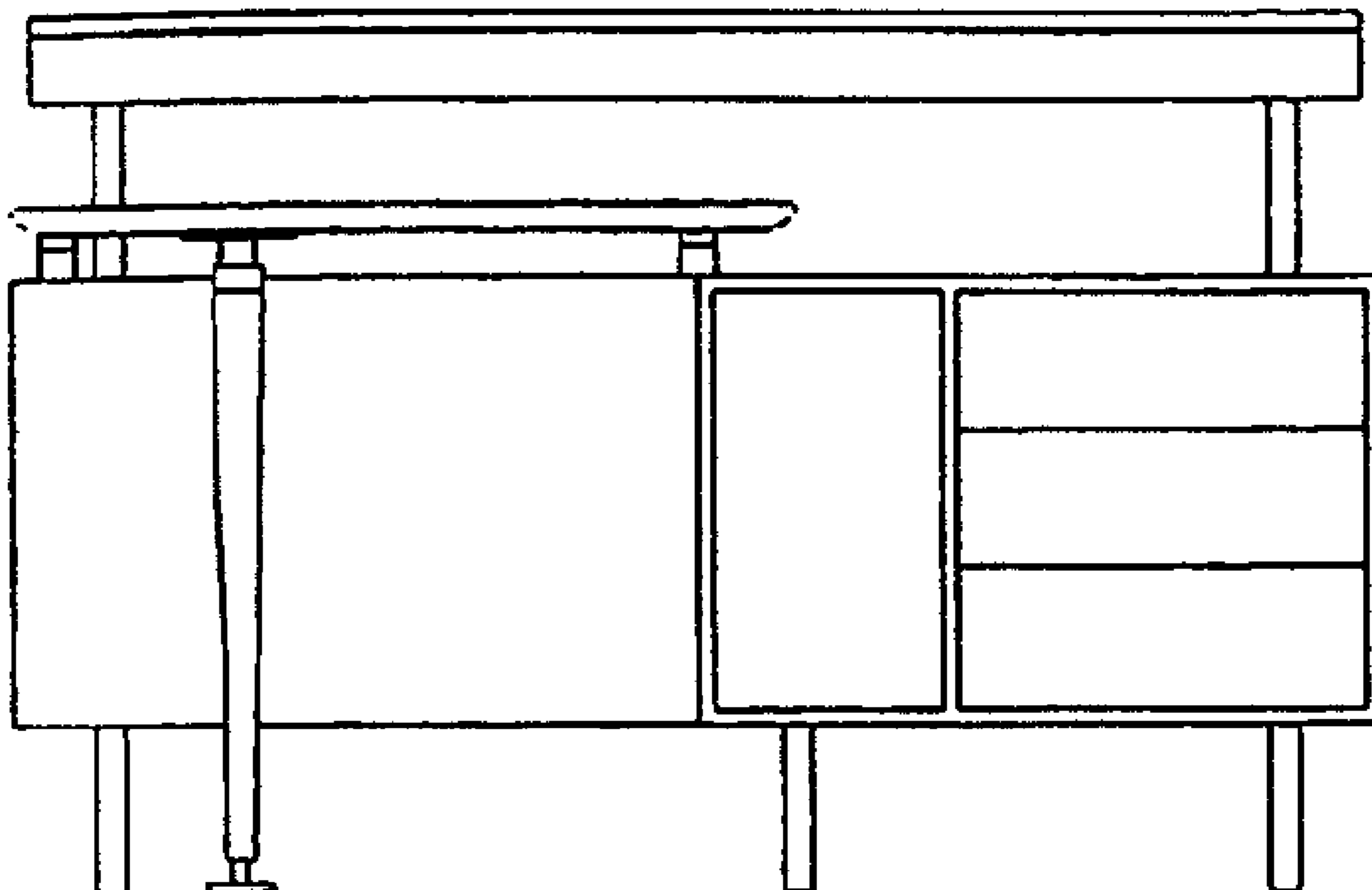
(57) **CLAIM**

The ornamental design for furniture, as shown, and described.

DESCRIPTION

FIG. 1 is a front view of furniture;
FIG. 2 is a left side view of furniture;
FIG. 3 is a top view of furniture; and,
FIG. 4 is a perspective view of furniture.

1 Claim, 2 Drawing Sheets



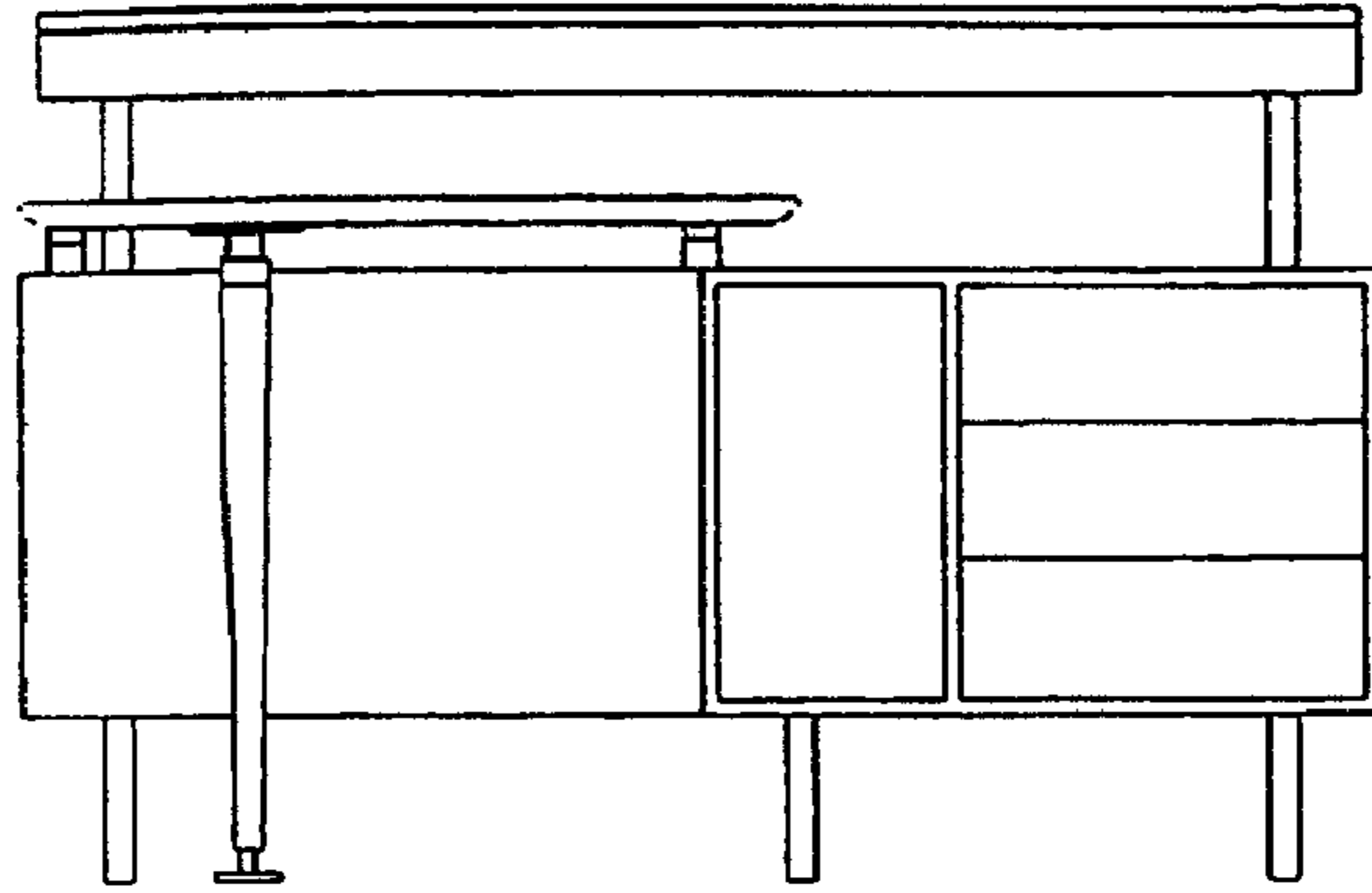


Figure 1

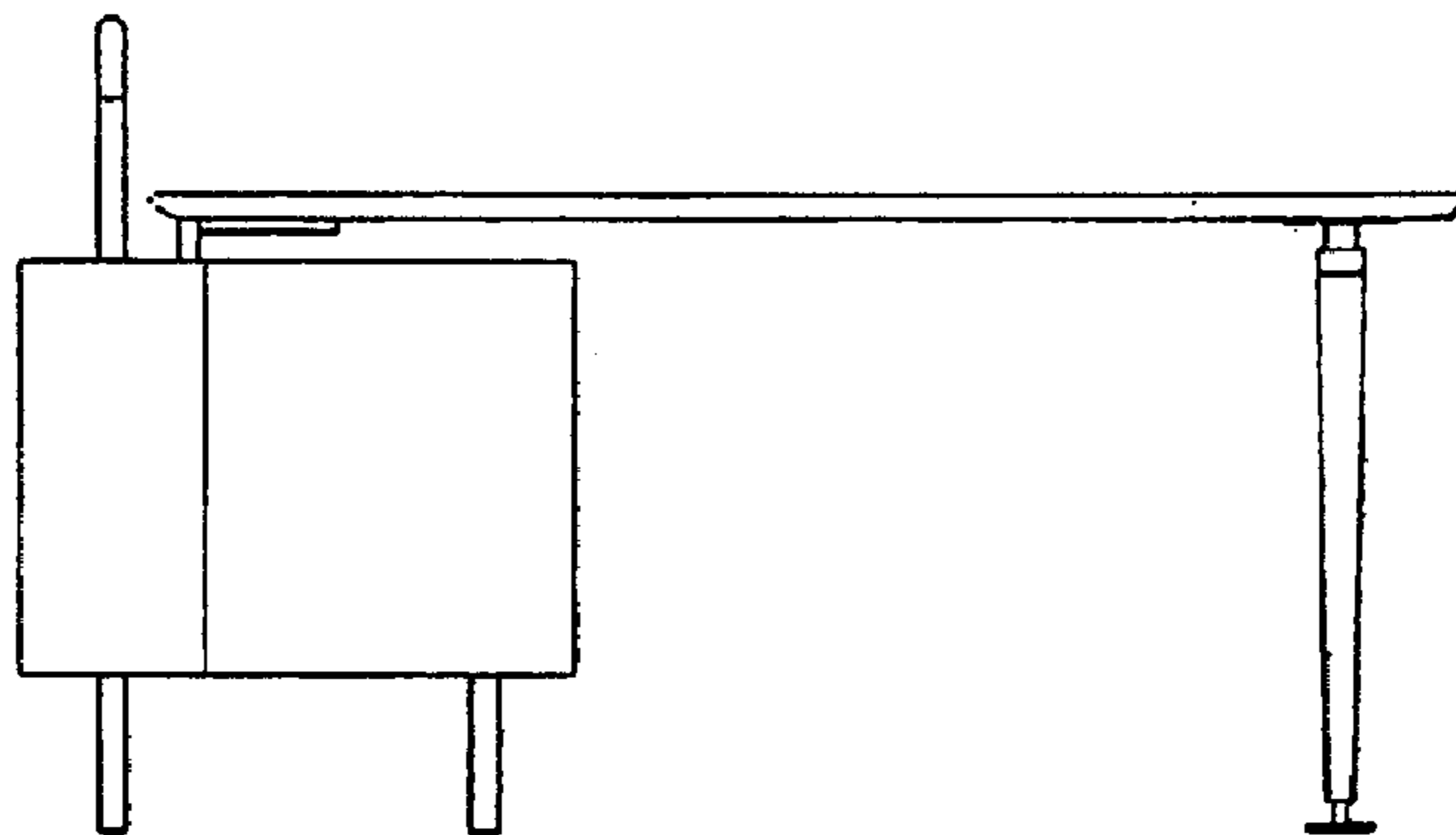


Figure 2

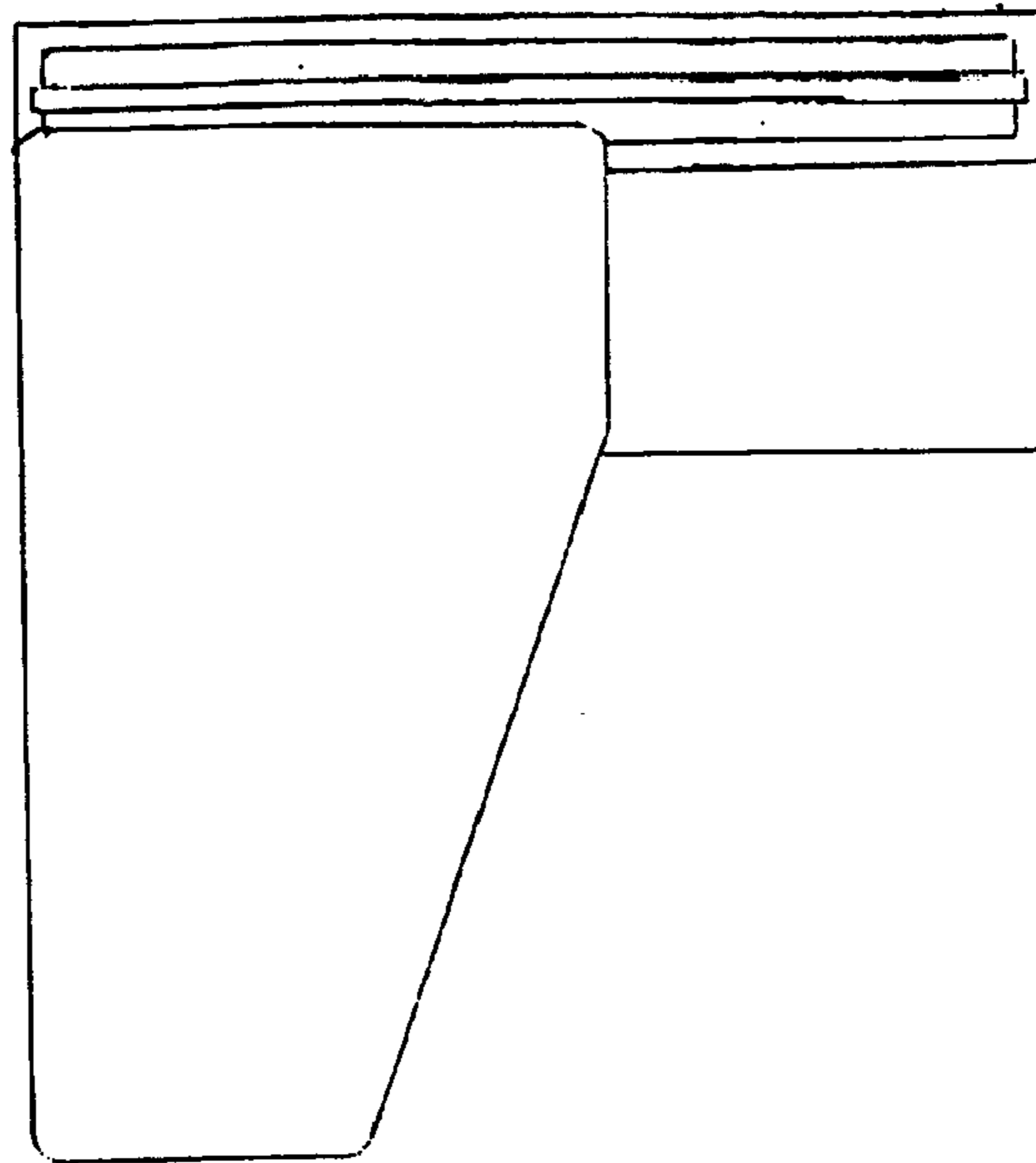


Figure 3

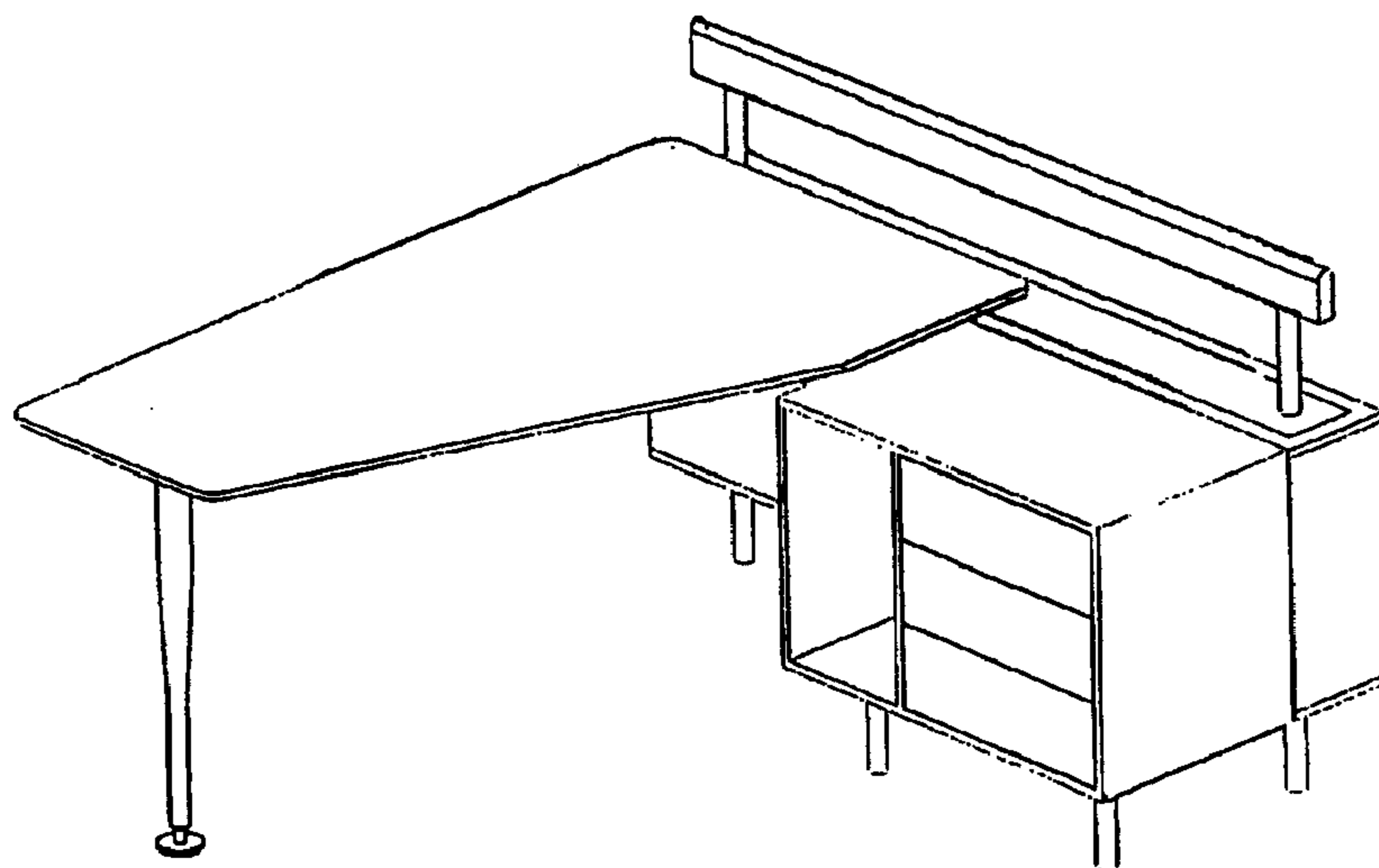


Figure 4