



US00D515839S

(12) **United States Design Patent**
Mills

(10) **Patent No.:** **US D515,839 S**

(45) **Date of Patent:** **** Feb. 28, 2006**

(54) **WORKING AID**

D472,728 S * 4/2003 Harris et al. D6/406.3
D499,575 S * 12/2004 Chan D6/406.3

(76) Inventor: **Gavin Mills**, 34 Gardenia St., Randpark
Ridge, 2194 (ZA)

* cited by examiner

(**) Term: **14 Years**

Primary Examiner—Charles A. Rademaker
(74) *Attorney, Agent, or Firm*—Senniger Powers

(21) Appl. No.: **29/208,879**

(57) **CLAIM**

(22) Filed: **Jul. 7, 2004**

The ornamental design of a working aid, as shown and described.

(51) **LOC (8) Cl.** **06-06**

(52) **U.S. Cl.** **D6/406.2**

(58) **Field of Classification Search** D6/406.1–406.6,
D6/339, 419, 429, 430; D12/133, 416, 419,
D12/426.1; D14/447, 457; D7/550.1–550.2,
D7/552.2–552.5, 554.3–554.4; 108/25, 42–43,
108/150; 220/575, 679, 632, 670, 339, 574,
220/17.1; 211/11, 126; D19/88

See application file for complete search history.

DESCRIPTION

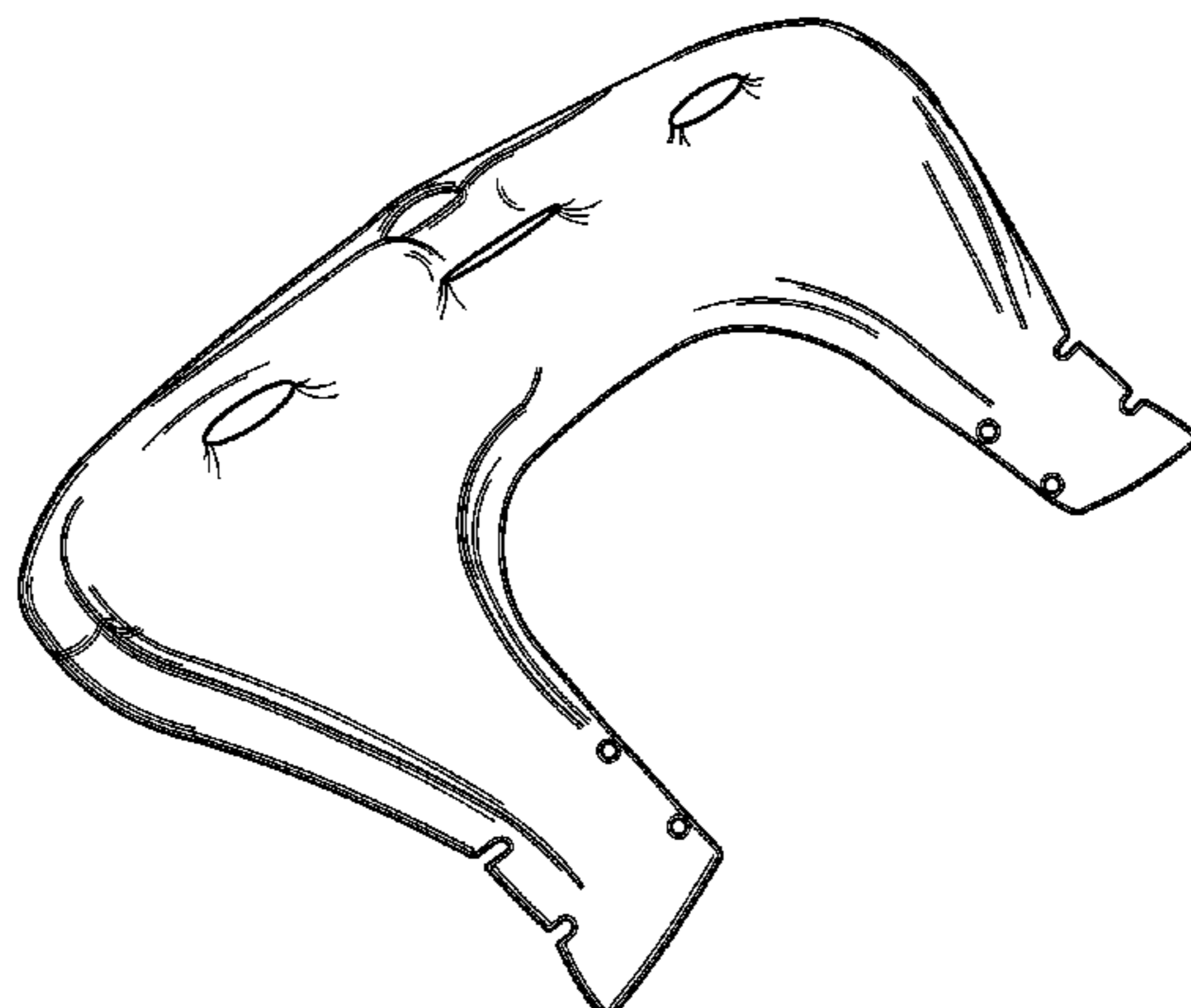
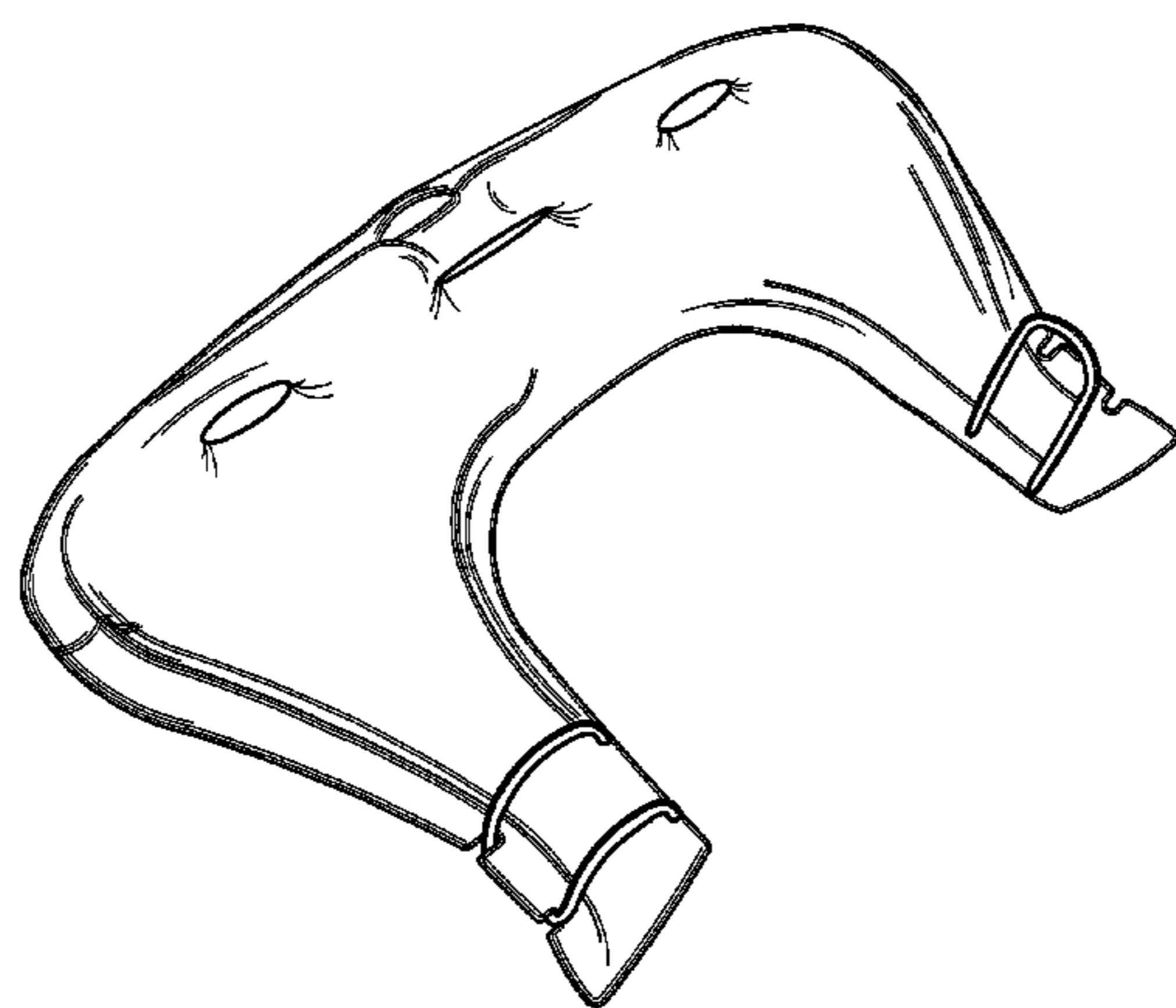
FIG. 1 is a side view of a first embodiment of a working aid incorporating the design of my invention;
FIG. 2 is a top plan view thereof;
FIG. 3 is a bottom plan view thereof;
FIG. 4 is a perspective bottom view thereof; and
FIG. 5 is a rear view thereof;
FIG. 6 is a front view thereof.
FIG. 7 is a side view of a second embodiment of a working aid incorporating the design of my invention;
FIG. 8 is a top plan view thereof;
FIG. 9 is a bottom plan view thereof;
FIG. 10 is a bottom perspective view thereof;
FIG. 11 is a rear view thereof; and,
FIG. 12 is a front view thereof.

(56) **References Cited**

U.S. PATENT DOCUMENTS

5,081,936 A * 1/1992 Drieling 108/43
D324,791 S * 3/1992 Hoover D6/511
D349,731 S * 8/1994 Leveen et al. D19/88
D382,727 S * 8/1997 Kresge et al. D7/552.2
6,041,715 A * 3/2000 Jarke et al. 108/43
D442,795 S * 5/2001 Holt D6/406.3

1 Claim, 10 Drawing Sheets



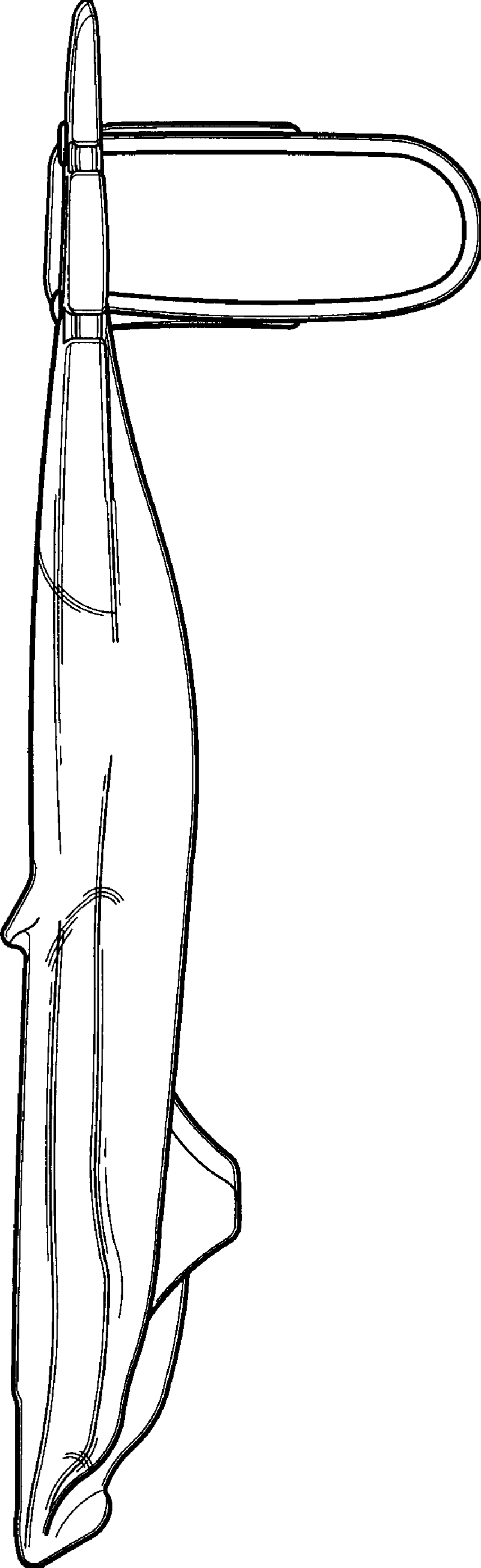


FIG 1

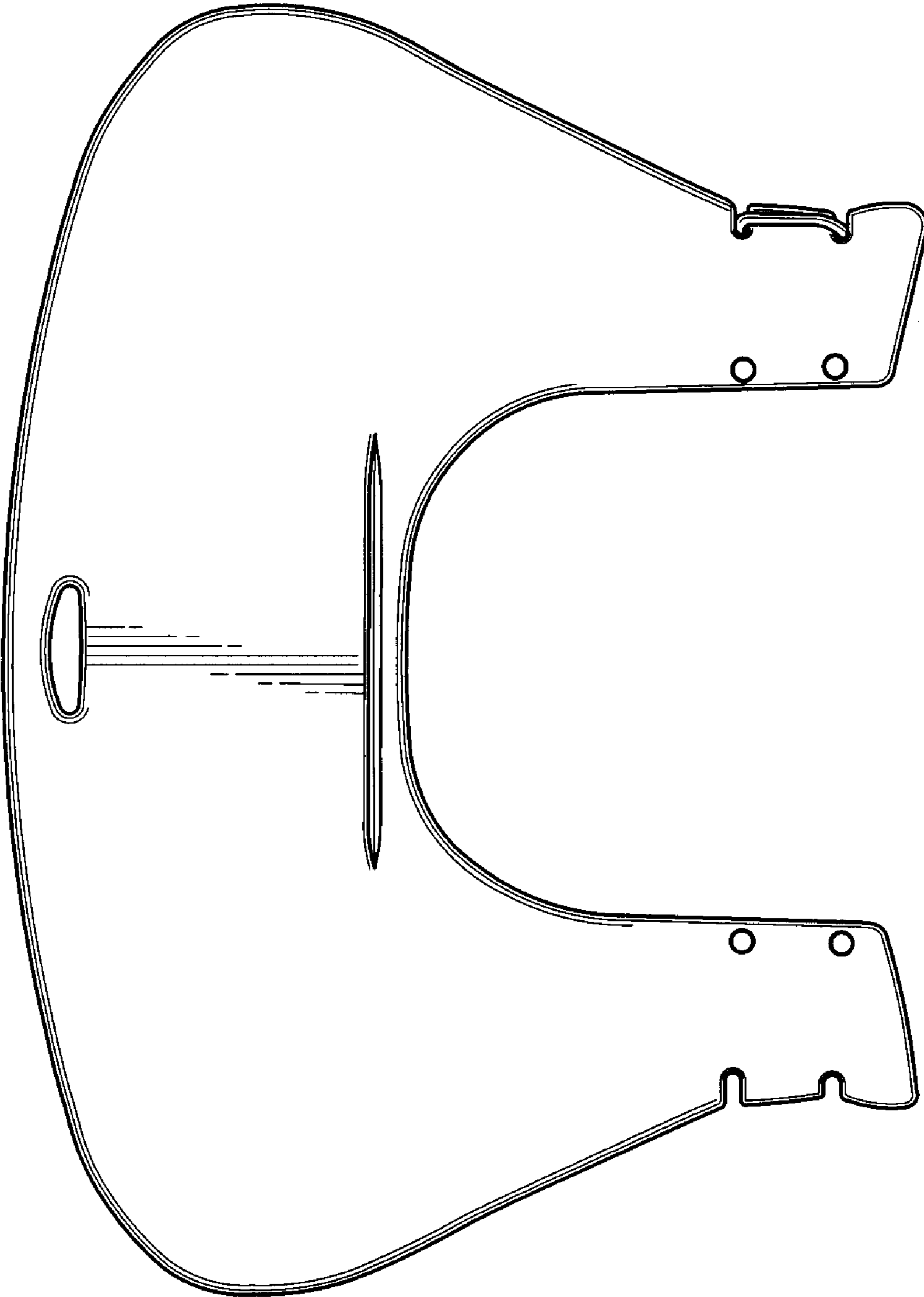


FIG 2

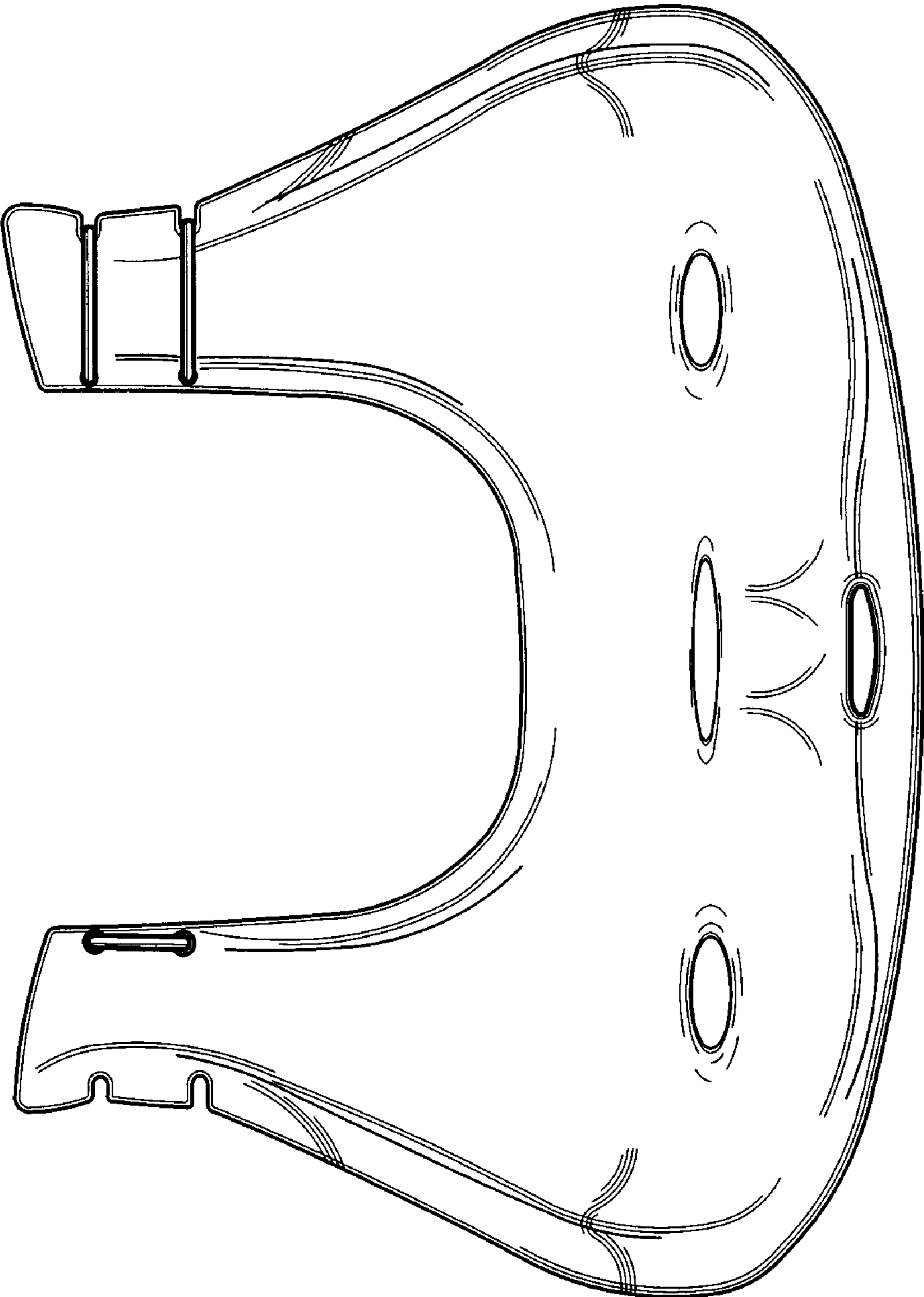


FIG 3

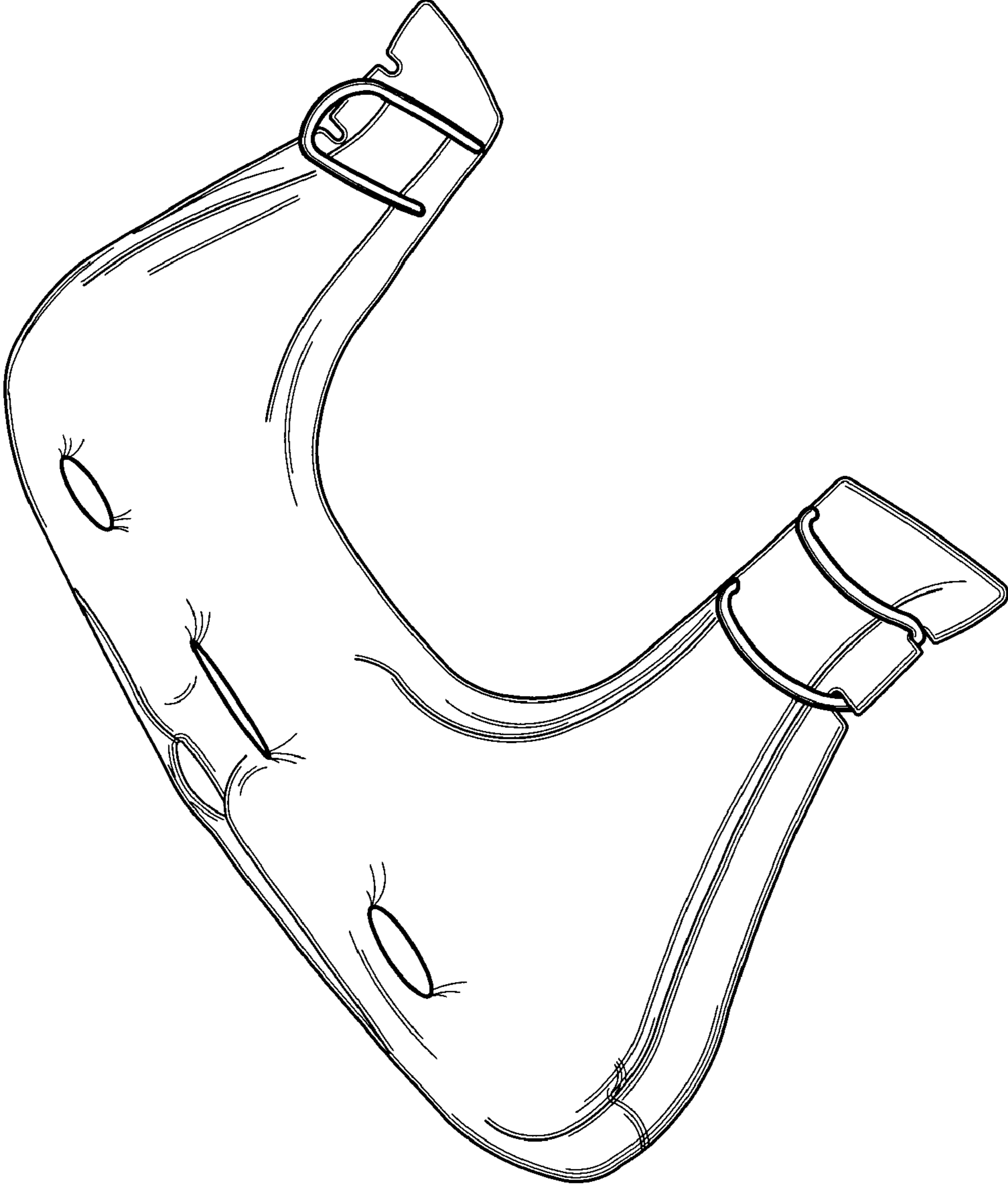


FIG 4

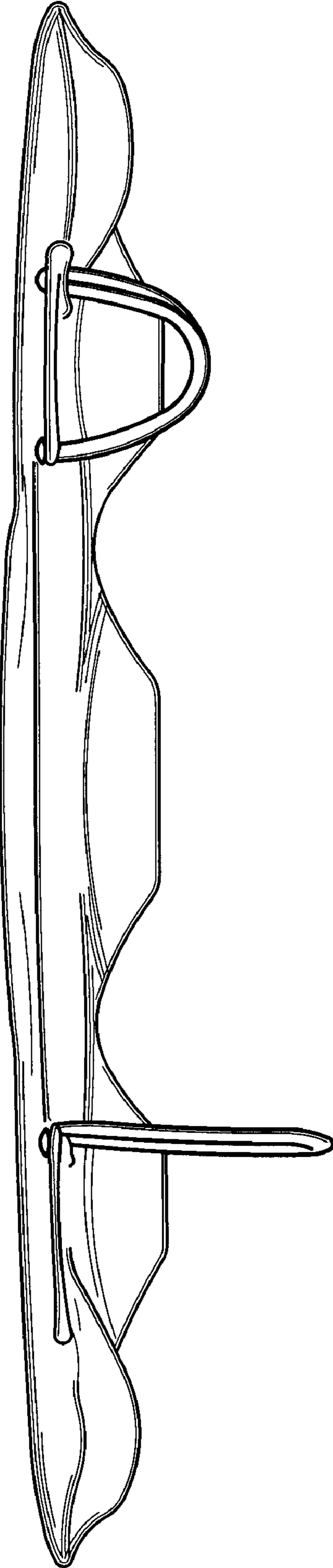


FIG 5



FIG 6

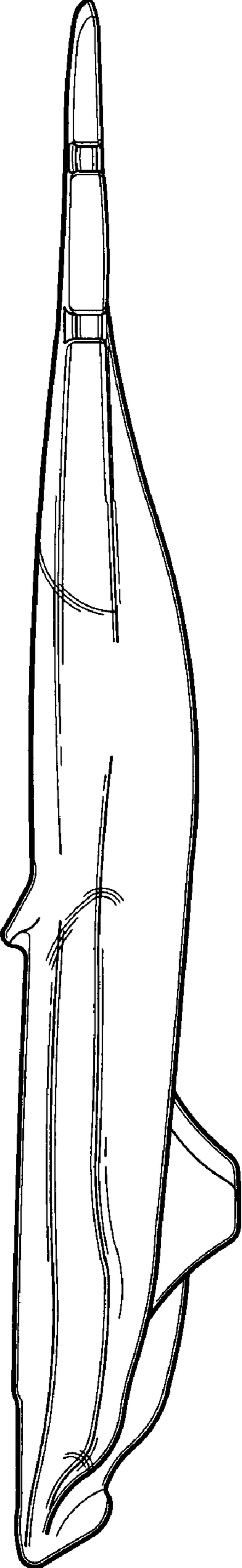


FIG 7

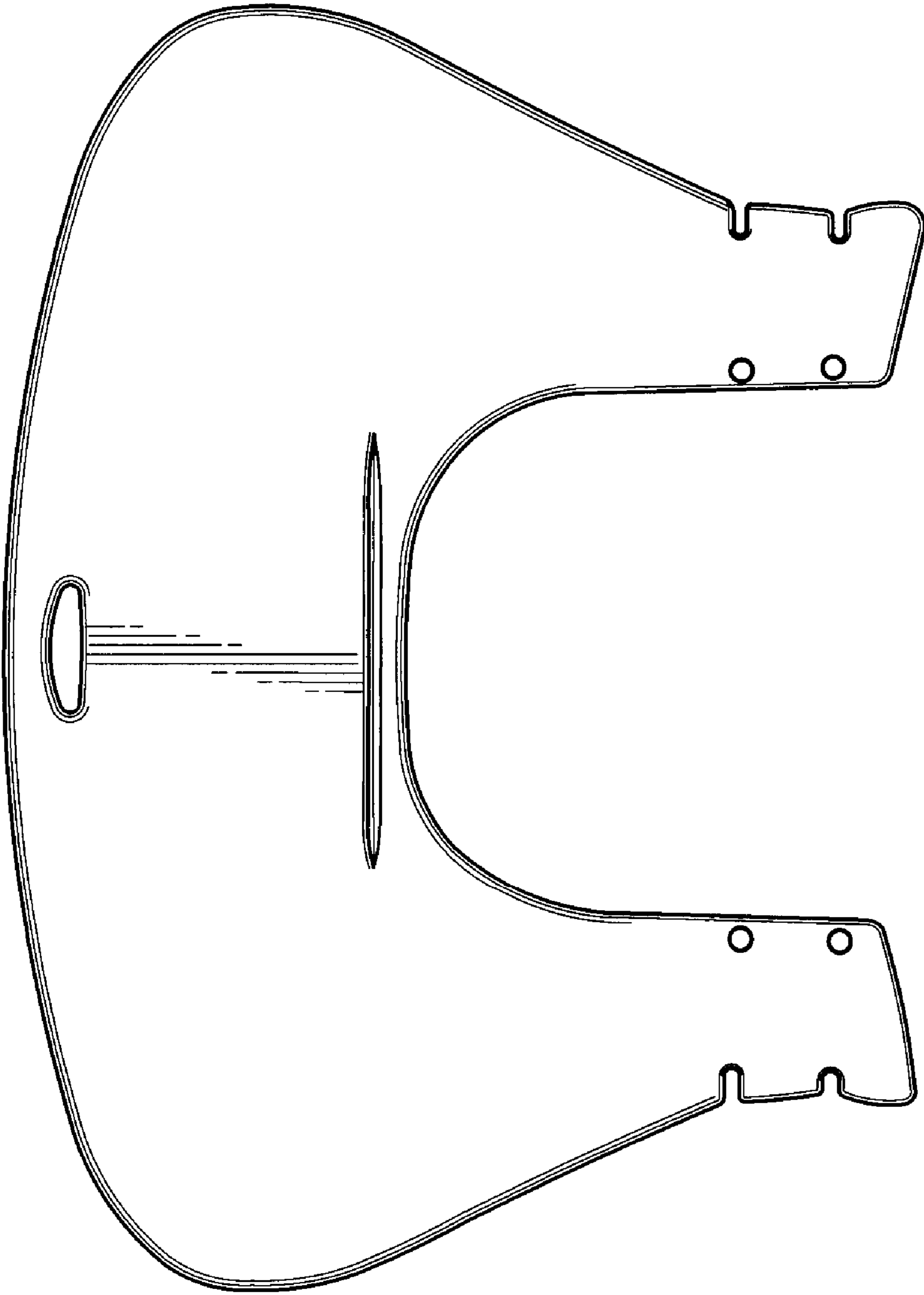


FIG 8

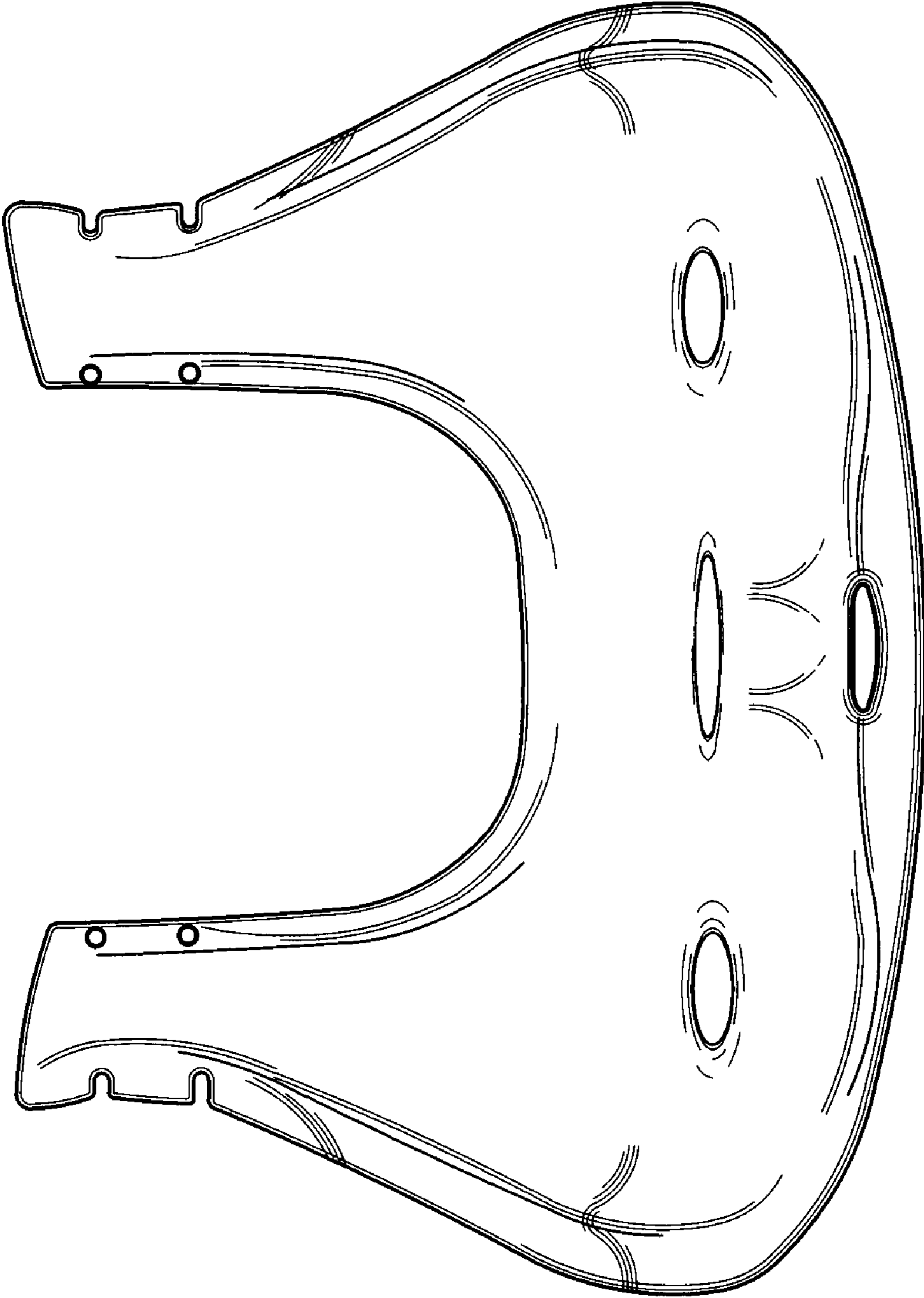


FIG 9

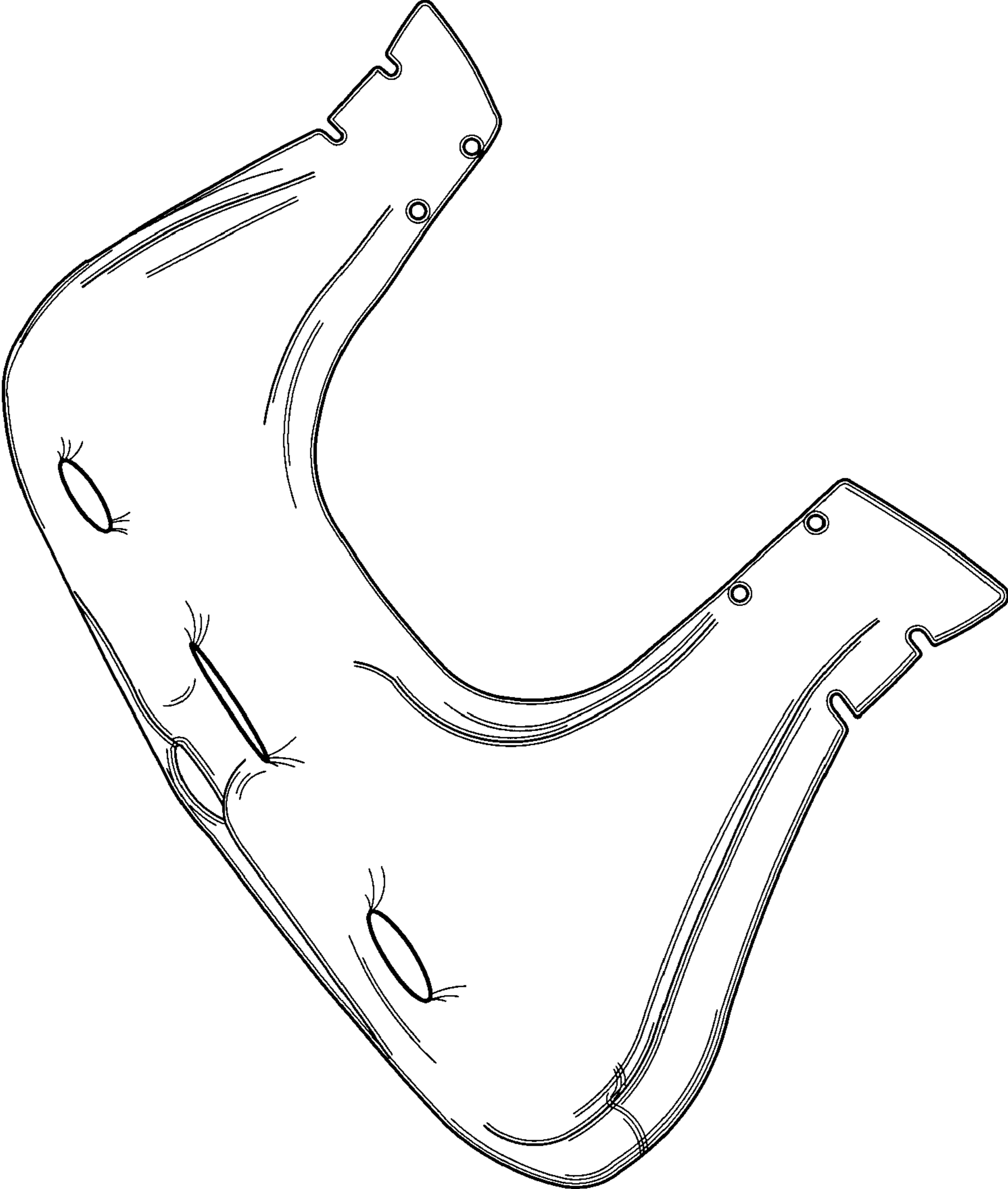


FIG 10

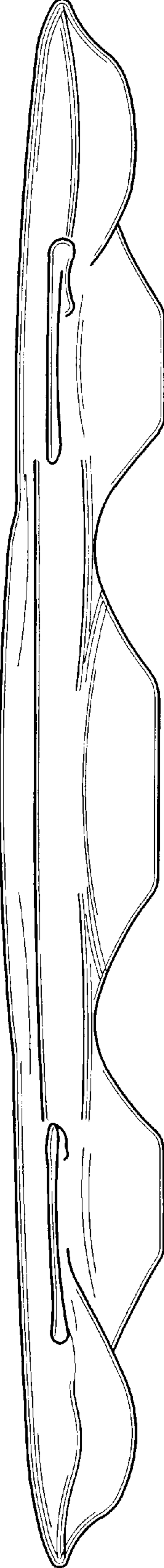


FIG 11

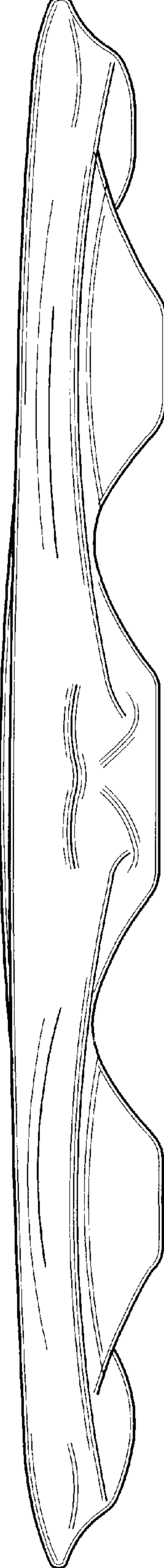


FIG 12