

US00D515830S

(12) **United States Design Patent**
Zheng

(10) **Patent No.:** **US D515,830 S**
(45) **Date of Patent:** **** Feb. 28, 2006**

(54) **COLLAPSIBLE GOLF SPORTS CHAIR**

(75) Inventor: **Edward Zheng**, Chino Hills, CA (US)

(73) Assignee: **Tofasco of America, Inc.**, LaVerne, CA (US)

(**) Term: **14 Years**

(21) Appl. No.: **29/227,293**

(22) Filed: **Apr. 8, 2005**

(51) **LOC (8) Cl.** **06-01**

(52) **U.S. Cl.** **D6/358; D6/368**

(58) **Field of Classification Search** D6/334-336,
D6/351, 358, 367, 368, 374, 375, 379, 500-502;
297/16.2, 45, 46, 55-57, 181, 354.1, 452.13;
D21/708, 709, 825; 473/378-383, 604
See application file for complete search history.

(56) **References Cited**

U.S. PATENT DOCUMENTS

D274,286	S	*	6/1984	Budde	D21/825
D326,697	S	*	6/1992	Hwang	D21/709
D327,376	S	*	6/1992	Piccagliano	D6/358
5,377,989	A	*	1/1995	Machin	473/379
5,893,605	A	*	4/1999	Chang	297/16.2
D472,948	S	*	4/2003	McGuire et al.	D21/708
6,644,731	B1	*	11/2003	Tang	297/16.2
6,682,135	B1	*	1/2004	Zheng	297/45
6,733,070	B1	*	5/2004	Chang	297/45
6,755,462	B1	*	6/2004	Zheng	297/16.2
D500,605	S	*	1/2005	Schmidt et al.	D6/336
6,899,383	B1	*	5/2005	Hwang	297/45
D507,892	S	*	8/2005	Zheng	D6/358

2002/0074834	A1	*	6/2002	Summar et al.	297/45
2003/0052518	A1	*	3/2003	Zheng	297/16.2
2003/0057741	A1	*	3/2003	Zheng	297/16.2
2003/0127885	A1	*	7/2003	TANG	297/16.2
2004/0007903	A1	*	1/2004	Chang	297/45
2004/0036323	A1	*	2/2004	Hwang	297/16.2
2004/0066075	A1	*	4/2004	Yeh	297/354.1
2004/0113476	A1	*	6/2004	Chang	297/16.2

* cited by examiner

Primary Examiner—Mimosa De

(74) *Attorney, Agent, or Firm*—Rutan & Tucker, LLP

(57) **CLAIM**

The ornamental design for a collapsible golf sports chair, as shown and described.

DESCRIPTION

FIG. 1 is a perspective view of one collapsible golf sports chair.

FIG. 2 is a top view of the collapsible golf sports chair of FIG. 1.

FIG. 3 is a front view of the collapsible golf sports chair of FIG. 1.

FIG. 4 is a left side view of the collapsible golf sports chair of FIG. 1.

FIG. 5 is a rear view of the collapsible golf sports chair of FIG. 1.

FIG. 6 is a right side view of the collapsible golf sports chair of FIG. 1; and,

FIG. 7 is a bottom view of the collapsible golf sports chair of FIG. 1.

1 Claim, 4 Drawing Sheets

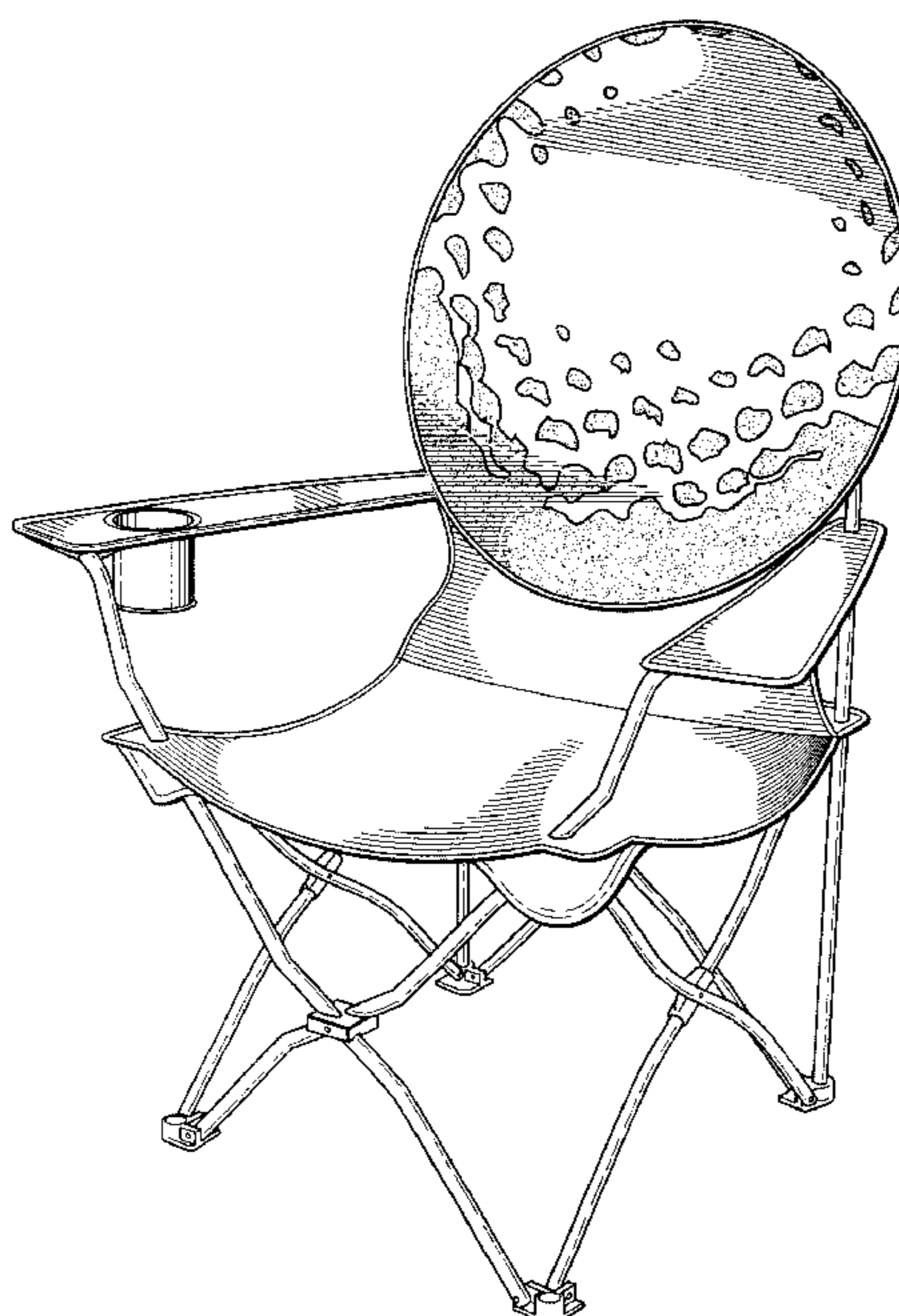
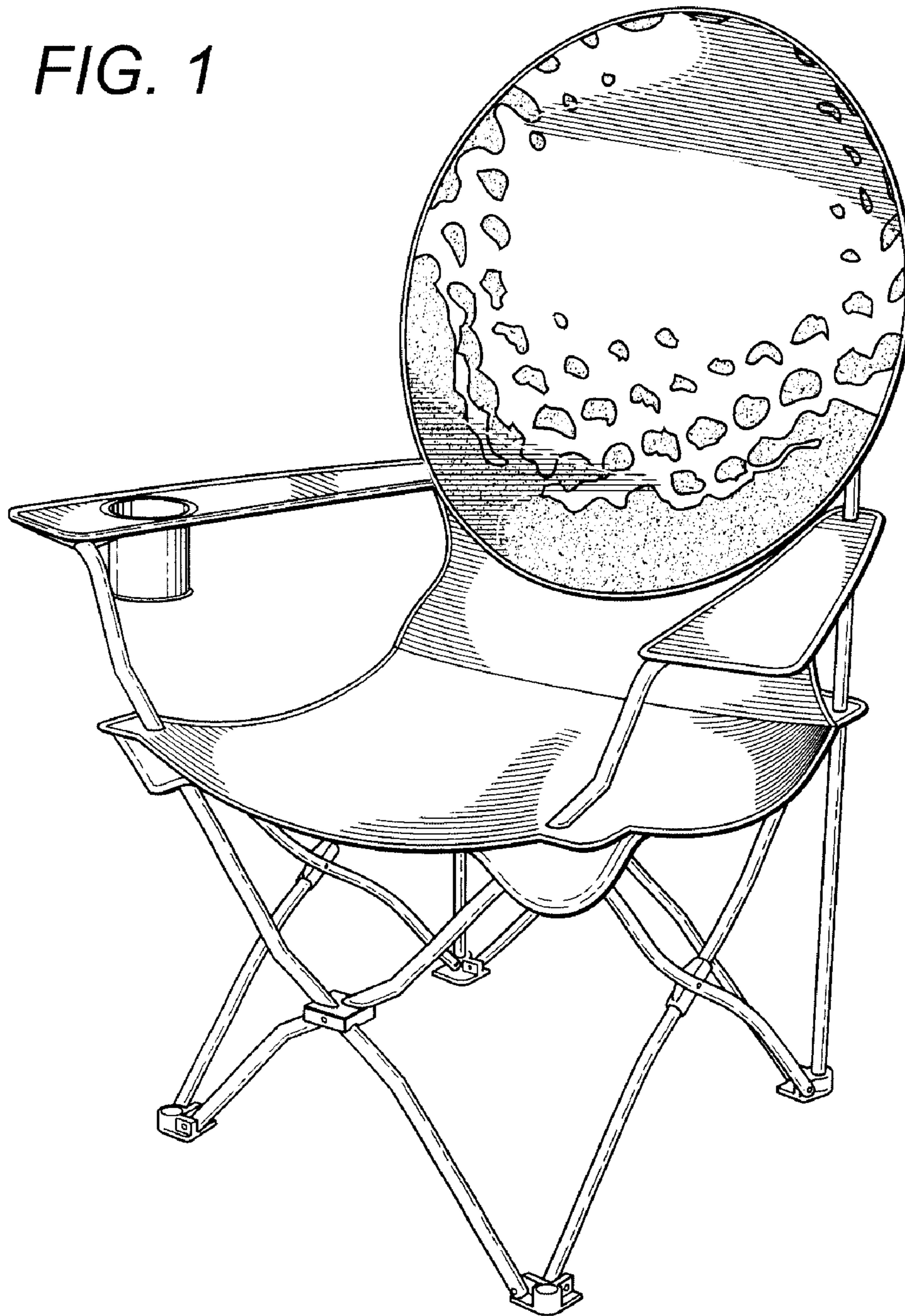


FIG. 1



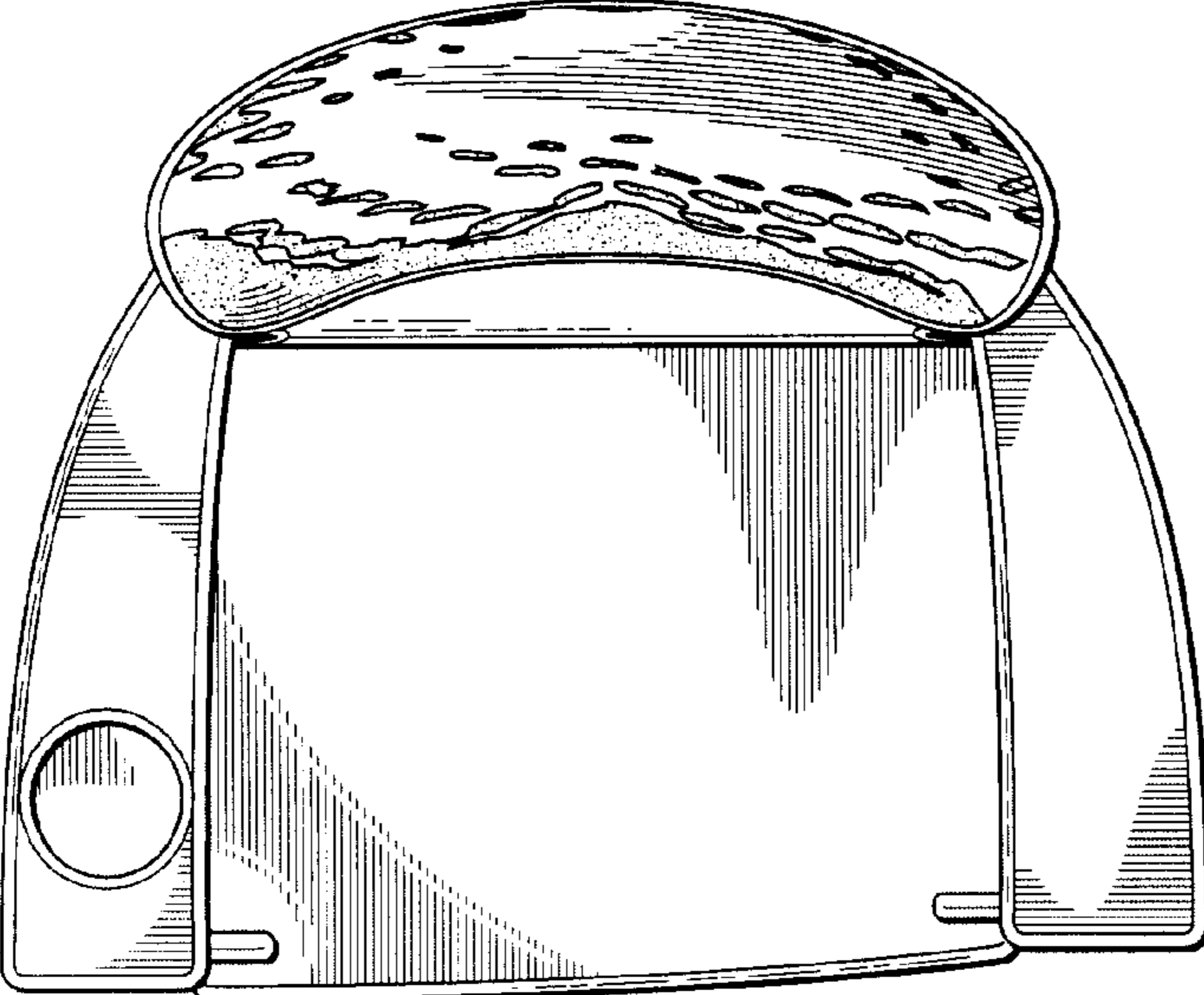


FIG. 2

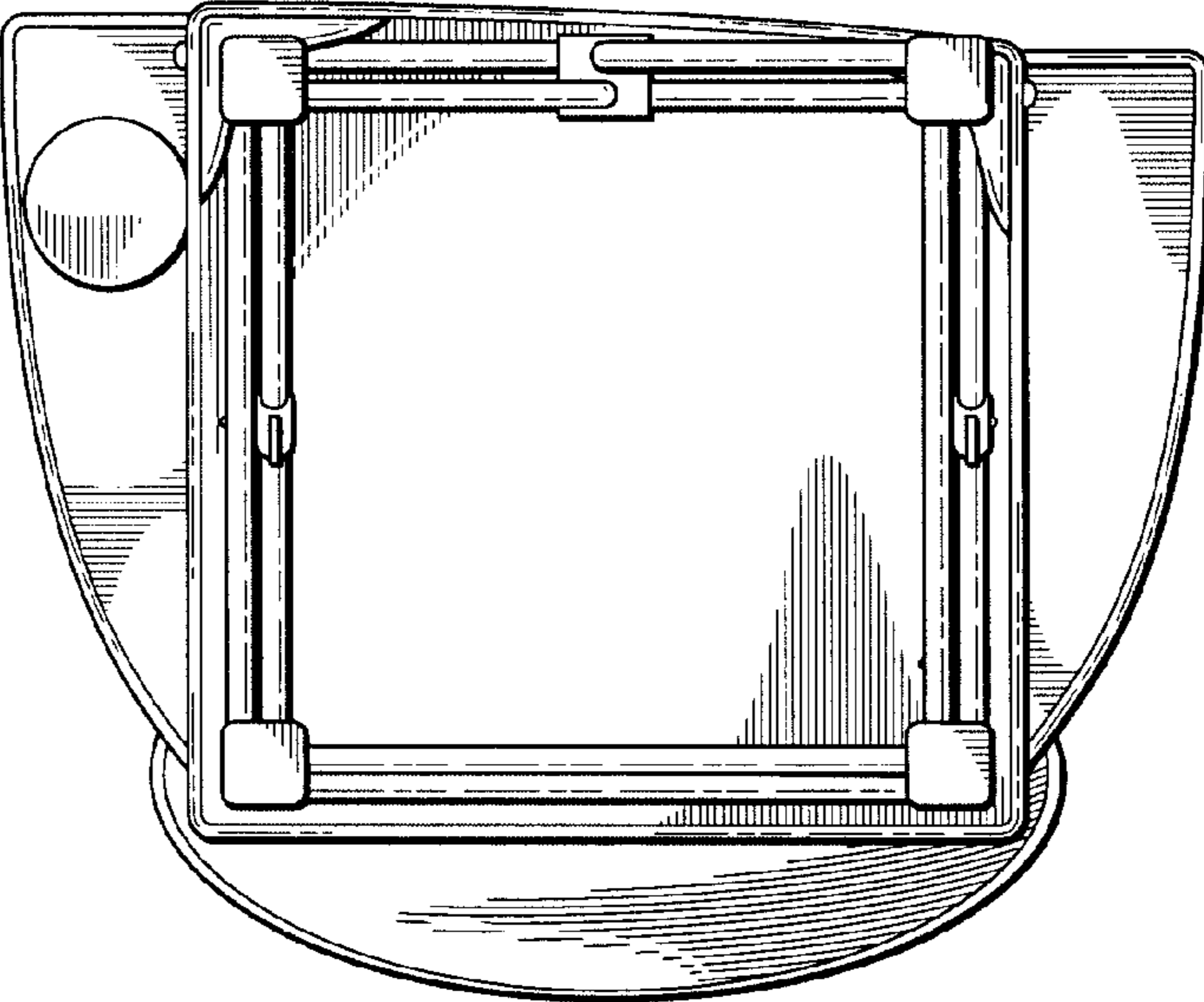


FIG. 7

FIG. 3

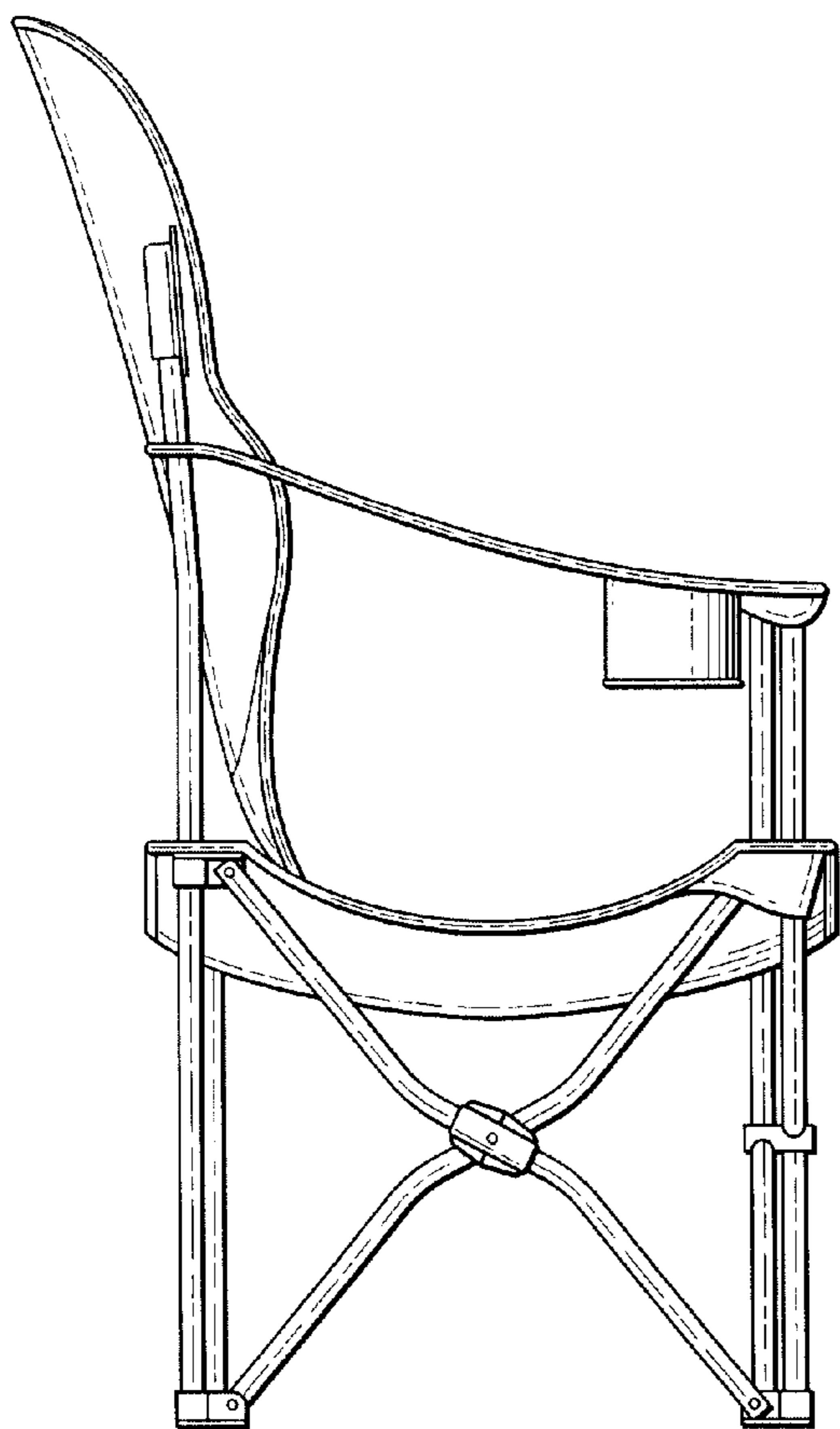
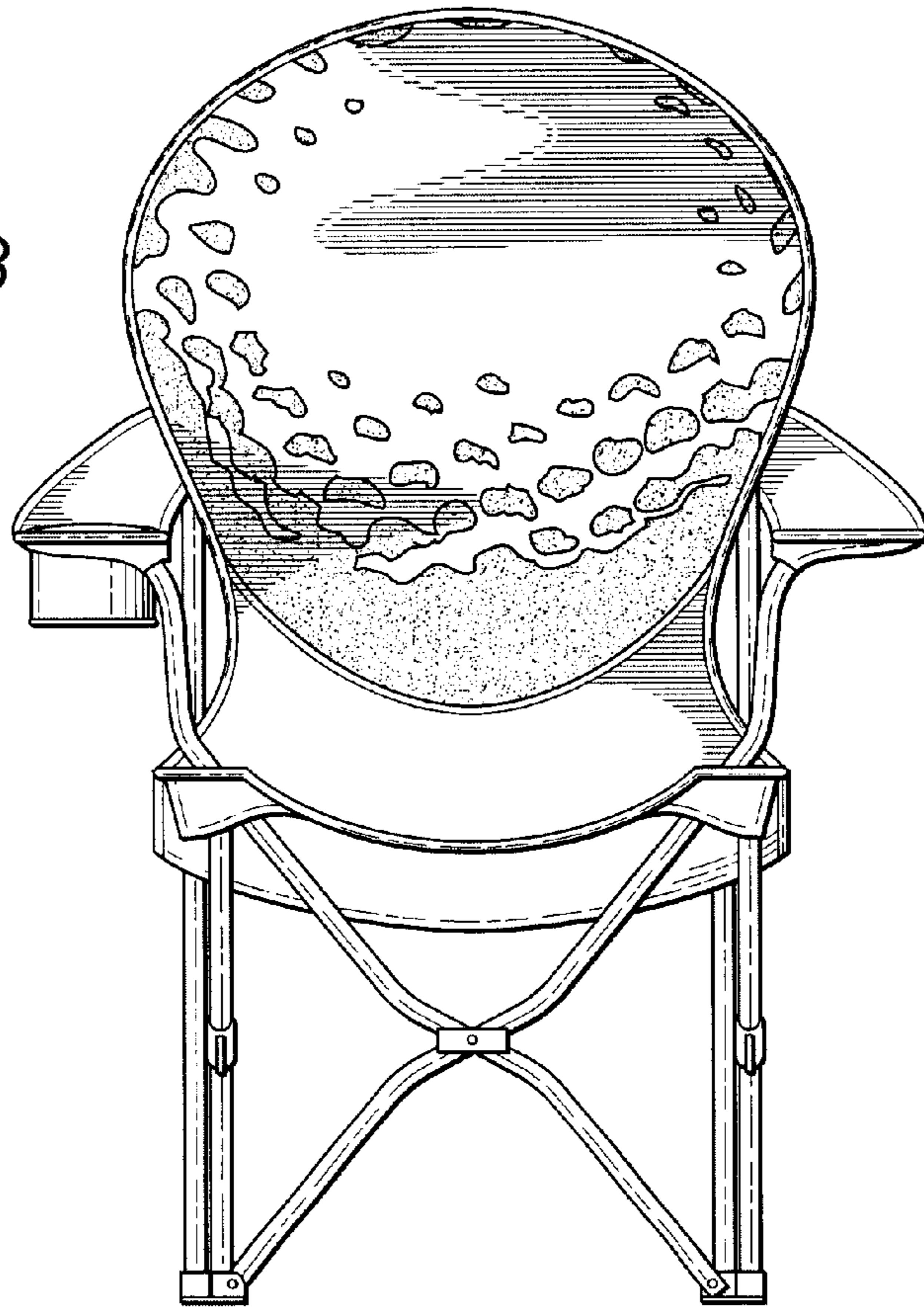


FIG. 4

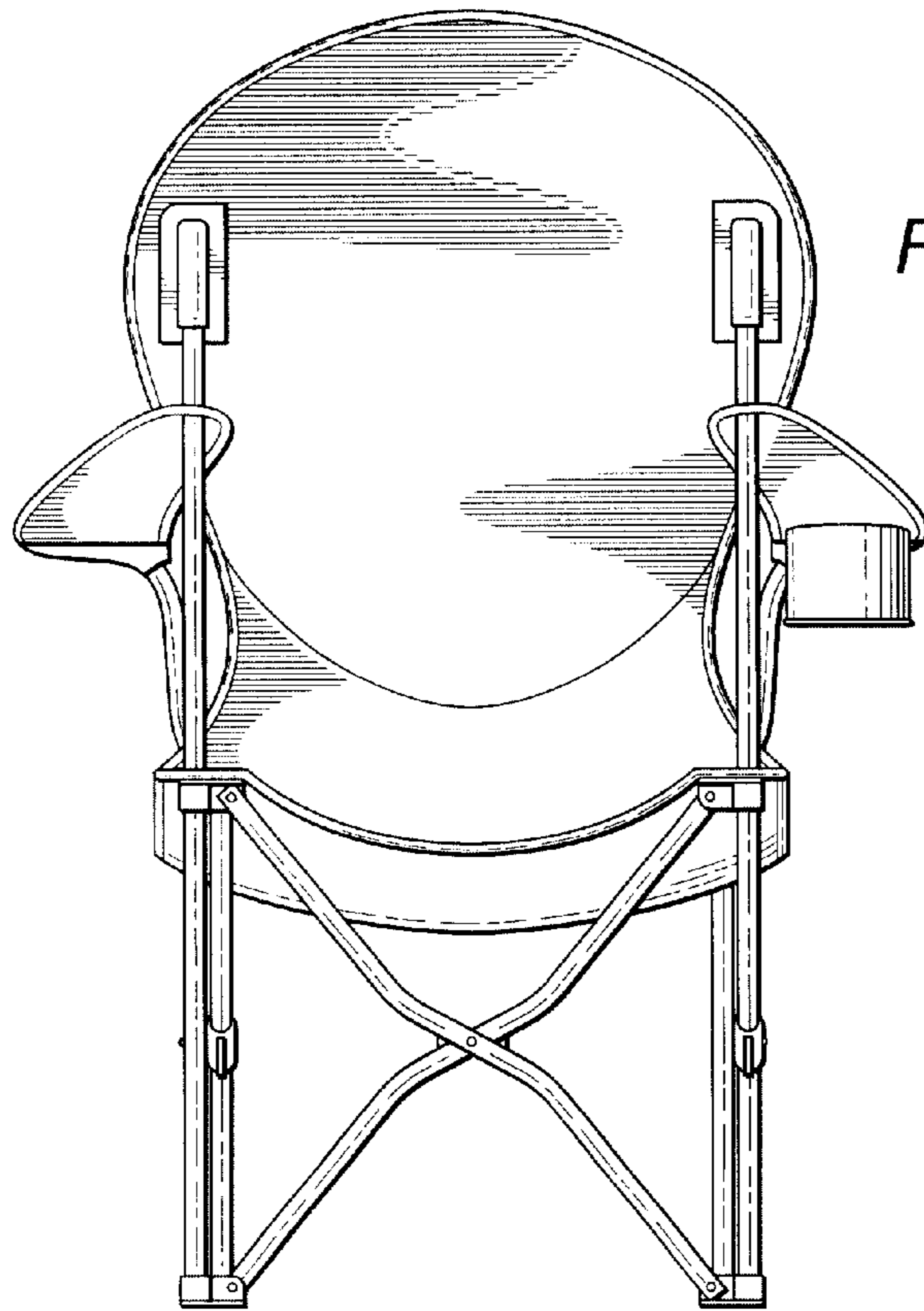


FIG. 5

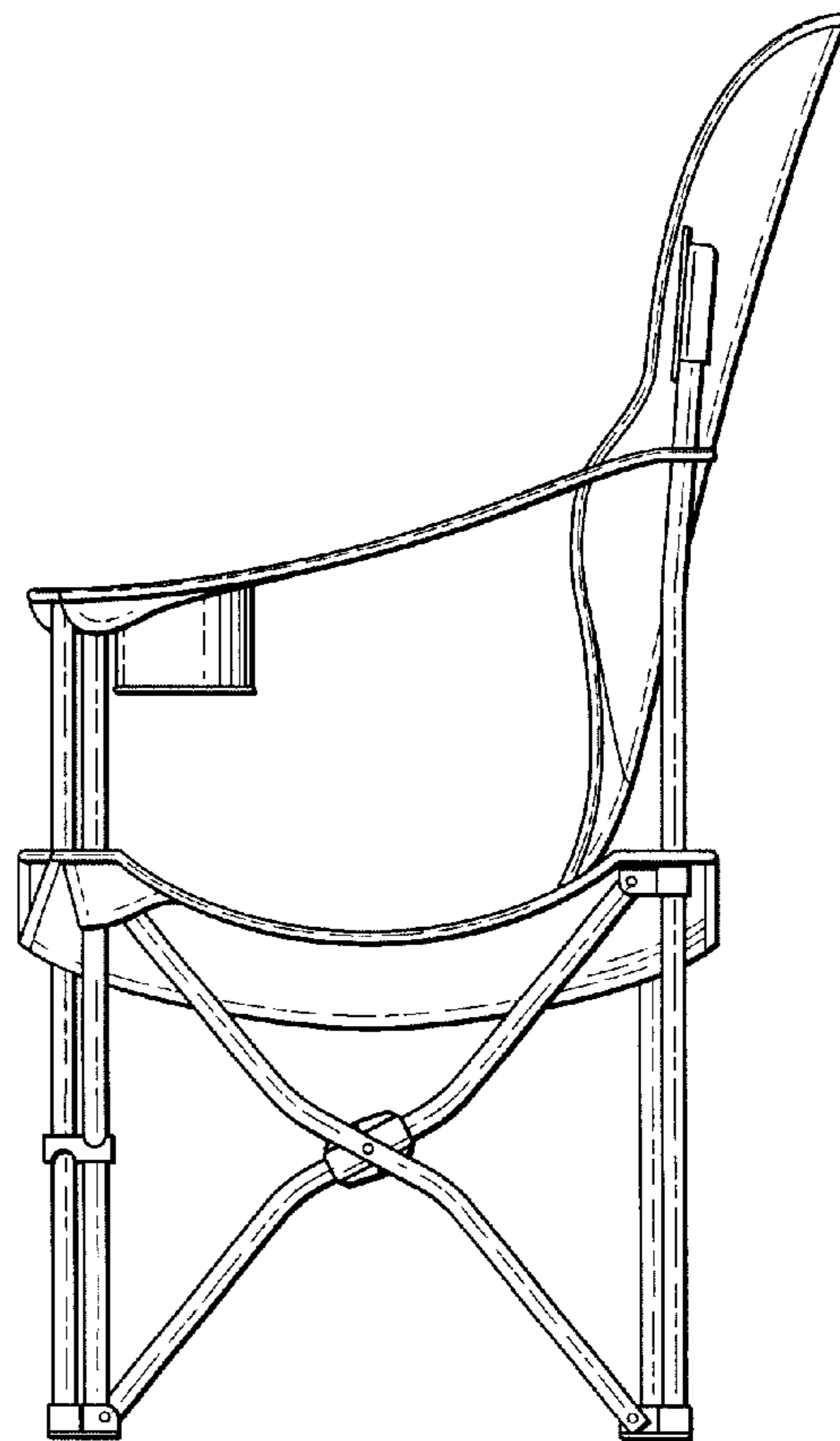


FIG. 6