



US00D515829S

(12) **United States Design Patent** (10) **Patent No.:** **US D515,829 S**
Sutton et al. (45) **Date of Patent:** **** Feb. 28, 2006**

(54) **GARMENT HANGER**

(75) Inventors: **Steven Sutton**, Brooklyn, NY (US);
David P. Gordon, Stamford, CT (US)

(73) Assignee: **The Accessory Corp.**, New York, NY (US)

(**) Term: **14 Years**

(21) Appl. No.: **29/222,059**

(22) Filed: **Jan. 24, 2005**

(51) **LOC (8) Cl.** **06-08**

(52) **U.S. Cl.** **D6/328**

(58) **Field of Classification Search** D6/315,
D6/320, 323, 326, 328; 223/85, 88, 90-93,
223/95, 96, DIG. 2; 211/85.3, 89.01, 8, 13.1;
24/716

See application file for complete search history.

D353,945 S	1/1995	Louw	D6/326
5,411,189 A *	5/1995	Gouldson	223/85
D368,376 S	4/1996	Gouldson	D6/326
5,516,013 A *	5/1996	Gouldson et al.	223/91
D371,246 S	7/1996	Gouldson	D6/326
D375,208 S	11/1996	Gouldson	D6/316
D377,717 S *	2/1997	Gouldson	D6/328
D387,912 S	12/1997	Fildan	D6/326
D388,620 S	1/1998	Gouldson	D6/326
D388,964 S	1/1998	Gouldson	D6/326
D392,113 S	3/1998	Gouldson	D6/326
D394,754 S	6/1998	Gouldson	D6/328
D413,446 S	9/1999	Gouldson	D6/326
D414,946 S	10/1999	Gouldson	D6/326
D423,234 S	4/2000	Gouldson	D6/326
D435,973 S	1/2001	Gouldson	D6/326
D439,751 S	4/2001	Gouldson	D6/326
D440,410 S	4/2001	Gouldson	D6/328
D453,423 S	2/2002	Goldman et al.	D6/326
6,357,638 B1 *	3/2002	Gouldson	223/96
6,435,387 B1 *	8/2002	Gouldson et al.	223/96
D469,964 S	2/2003	Gouldson	D6/326
6,516,980 B1 *	2/2003	Goldman	223/85
D502,606 S	3/2005	Gouldson	D6/326
2001/0015361 A1 *	8/2001	Gouldson	223/85

(56) **References Cited**
U.S. PATENT DOCUMENTS

D236,572 S	9/1975	Ostroll et al.	D6/326
D246,817 S	1/1978	Mainetti	D6/252
D260,342 S	8/1981	Eiley et al.	D6/252
D273,650 S	5/1984	Brown	D6/252
D301,661 S	6/1989	Wilson	D6/326
D301,943 S	7/1989	Wilson	D6/326
D305,484 S	1/1990	Fildan	D6/326
D305,834 S	2/1990	DeVito	D6/326
D305,835 S	2/1990	DeVito	D6/326
5,062,556 A *	11/1991	Willputz	223/96
D324,459 S	3/1992	Gouldson	D6/326
5,092,502 A *	3/1992	Kolton et al.	223/91
D327,578 S	7/1992	Fildan	D6/326
D327,579 S	7/1992	Fildan	D6/326
D329,754 S	9/1992	Gouldson	D6/326
D329,755 S	9/1992	Gouldson	D6/326
D340,138 S	10/1993	Gouldson	D6/326
D340,586 S	10/1993	Fildan	D6/326
D348,987 S	7/1994	Gouldson	D6/326
D350,236 S	9/1994	Gouldson	D6/326

* cited by examiner

Primary Examiner—Nanda Bondade
Assistant Examiner—Shanda C. Hill
(74) *Attorney, Agent, or Firm*—Gordon & Jacobson P.C.

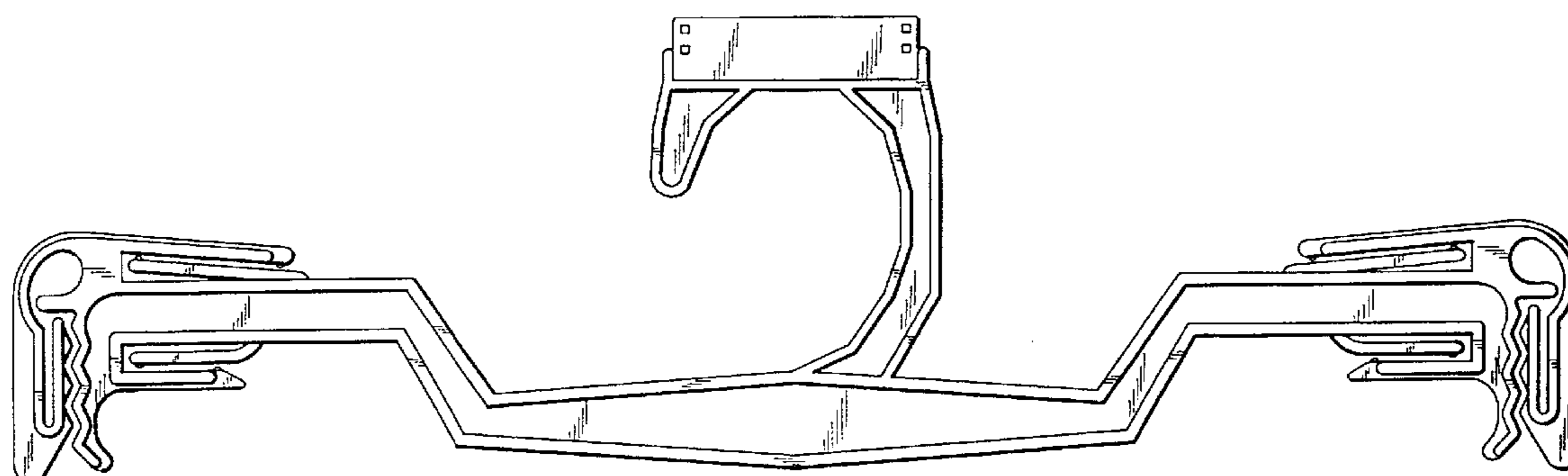
(57) **CLAIM**

The ornamental design for a garment hanger, as shown and described.

DESCRIPTION

FIG. 1 is a front elevational view of a garment hanger showing our new design;
FIG. 2 is a top plan view thereof;
FIG. 3 is a right side elevational view thereof;
FIG. 4 is a left side elevational view thereof; and,
FIG. 5 is a bottom plan view thereof.

1 Claim, 2 Drawing Sheets



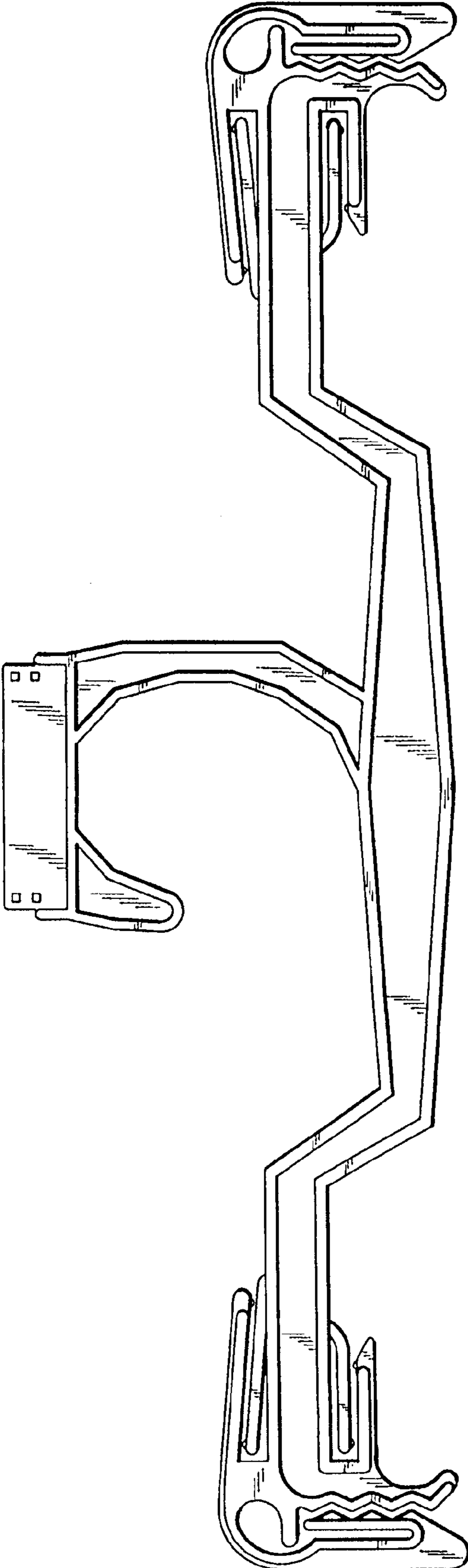


FIG. 1



FIG. 2



FIG. 3

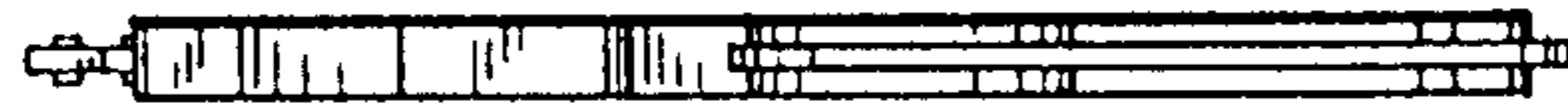


FIG. 4



FIG. 5