



US00D515822S

(12) **United States Design Patent**  
**Libman et al.**

(10) **Patent No.:** **US D515,822 S**  
(45) **Date of Patent:** **\*\* Feb. 28, 2006**

(54) **BROOM**

D456,618 S 5/2002 Libman

(75) Inventors: **Robert J. Libman**, Champaign, IL  
(US); **Enzo Berti**, Dolo/Venice (IT)

FOREIGN PATENT DOCUMENTS

JP 10085164 A \* 4/1998

(73) Assignee: **The Libman Company**, Arcola, IL  
(US)

\* cited by examiner

(\*\*) Term: **14 Years**

*Primary Examiner*—Alan P. Douglas  
*Assistant Examiner*—Lavone D. Tabor  
(74) *Attorney, Agent, or Firm*—Banner & Witcoff, Ltd.

(21) Appl. No.: **29/183,467**

(57) **CLAIM**

(22) Filed: **Jun. 12, 2003**

The ornamental design for a broom, as shown and described.

(51) **LOC (8) Cl.** ..... **04-99**

(52) **U.S. Cl.** ..... **D4/199**

(58) **Field of Classification Search** ..... D4/132,  
D4/135, 138, 199; 15/146, 159.1, 171, 175,  
15/176.1, 176.2, 191.1, 192, 193; D32/50,  
D32/51

**DESCRIPTION**

See application file for complete search history.

FIGS. 1 and 2 are perspective views of the head of broom in accordance with the present invention;  
FIG. 3 is a top view of the head of the broom;  
FIG. 4 is a front end view of the head of the broom;  
FIG. 5 is a side view, the opposite side being a mirror image thereof; and,  
FIG. 6 is a back end view of the head of the broom.

(56) **References Cited**

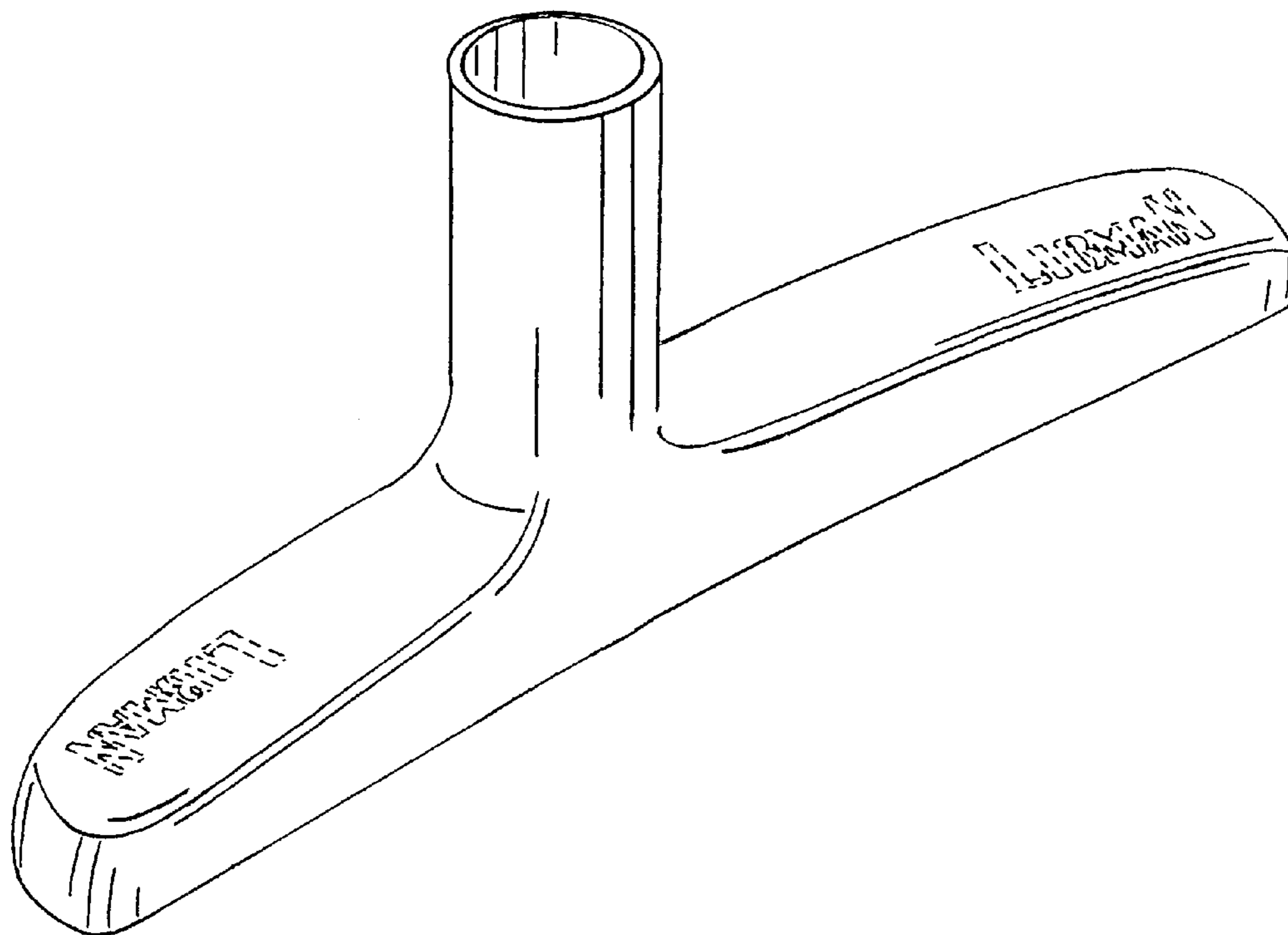
**U.S. PATENT DOCUMENTS**

D281,635 S \* 12/1985 Machaek et al. .... D32/50  
5,010,616 A 4/1991 Berti  
D332,701 S 1/1993 Berti  
D387,910 S 12/1997 Berti  
D421,681 S \* 3/2000 Breen ..... D4/199  
D455,562 S 4/2002 Libman  
D456,617 S 5/2002 Libman

The bottom of the broom head is covered by bristles, and thus is not normally seen when the product is purchased or used.

The broken line showing of the “Libman” trademark appearing in the drawings is for illustrative purposes only and forms no part of the claimed design.

**1 Claim, 5 Drawing Sheets**



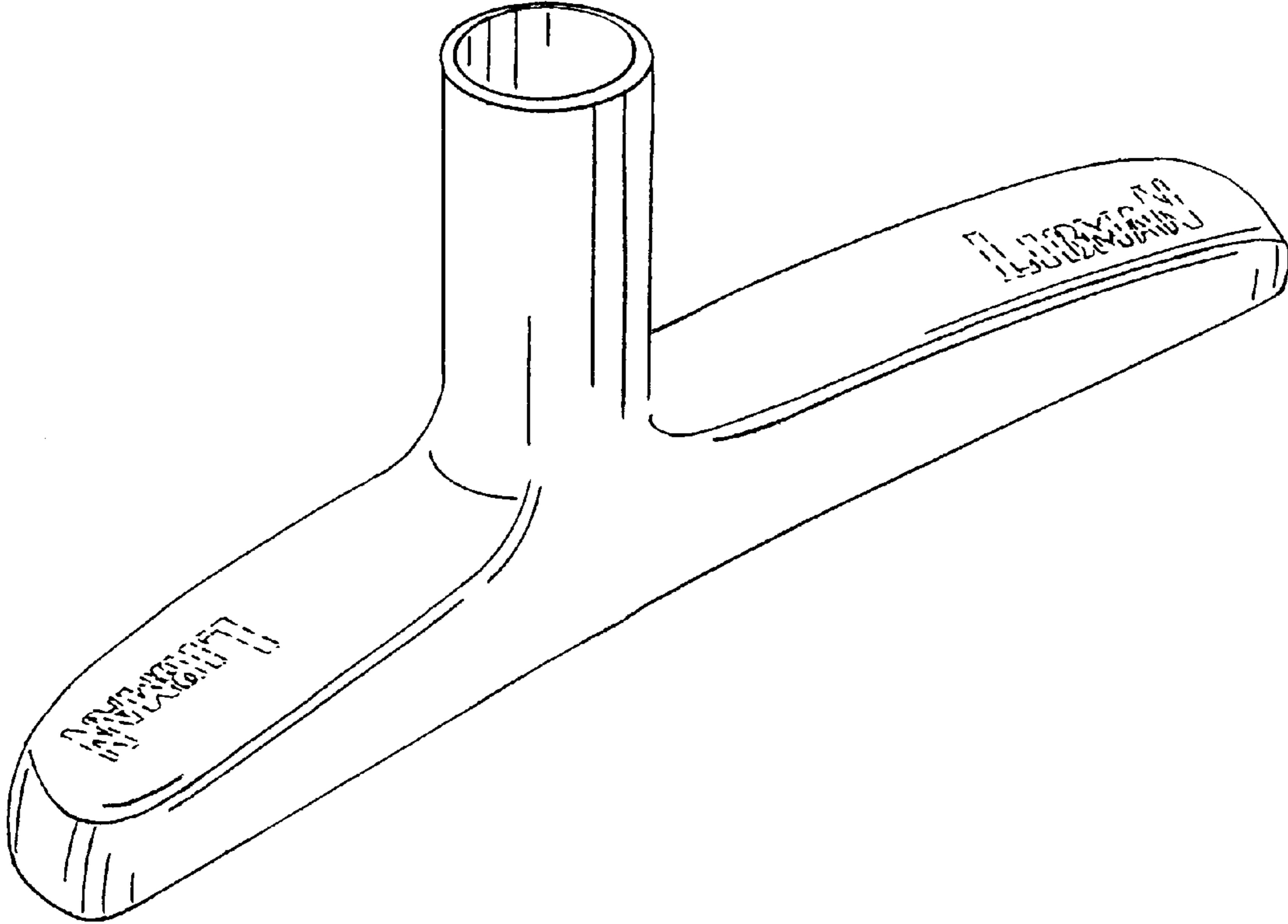


FIG. 1

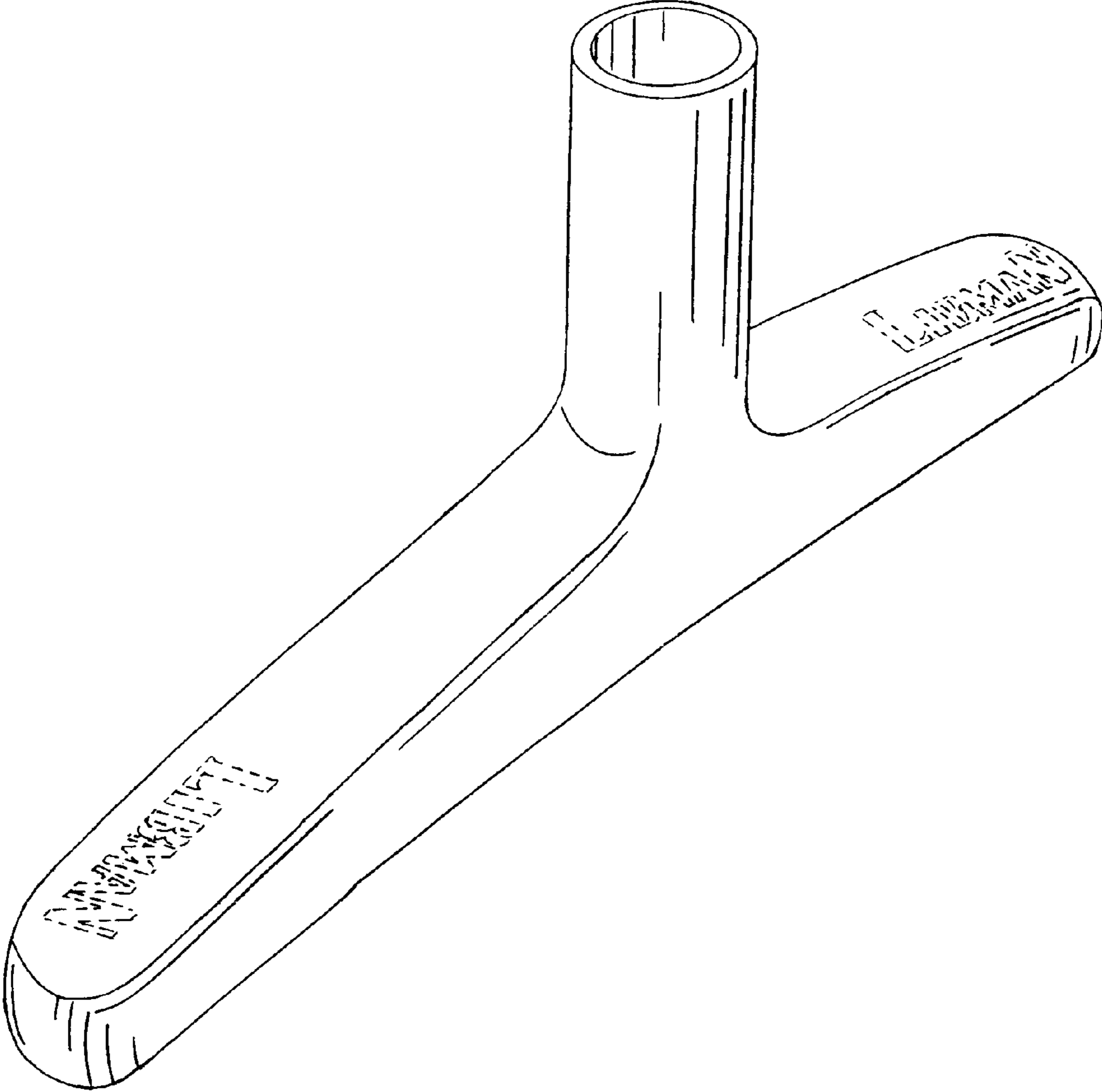


FIG. 2

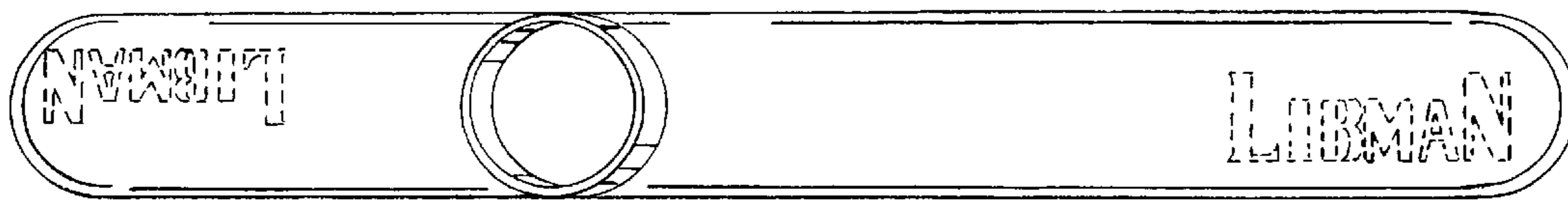


FIG. 3

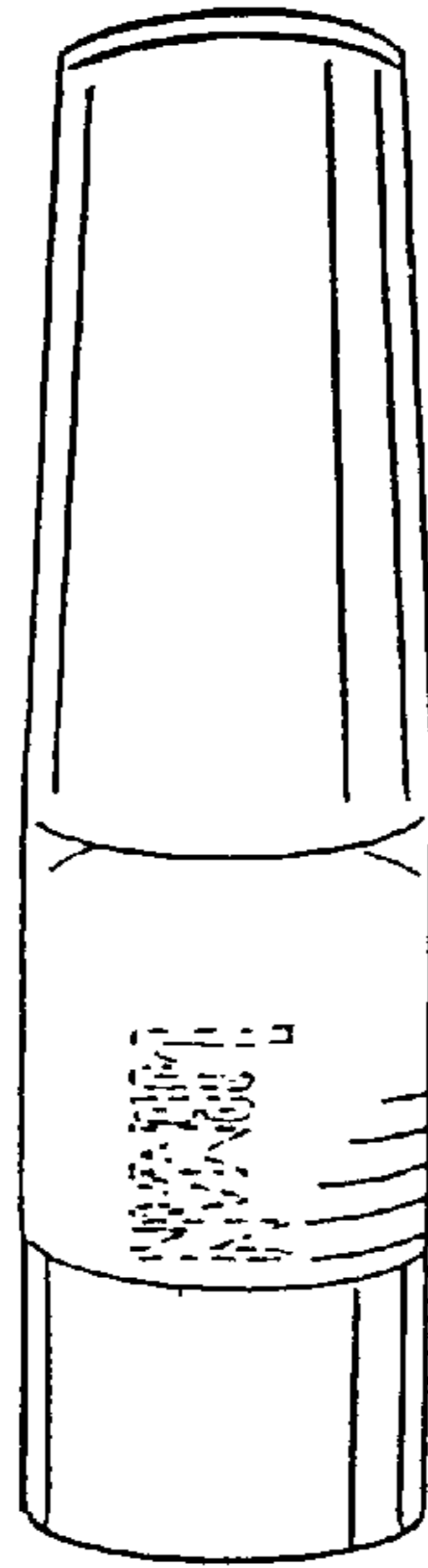


FIG. 4

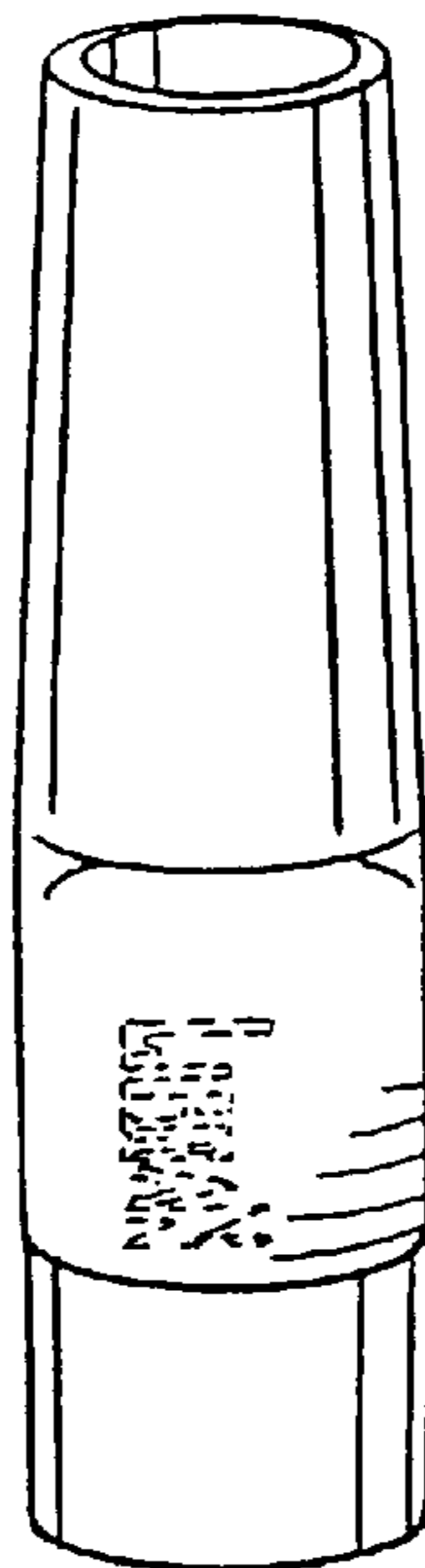


FIG. 6

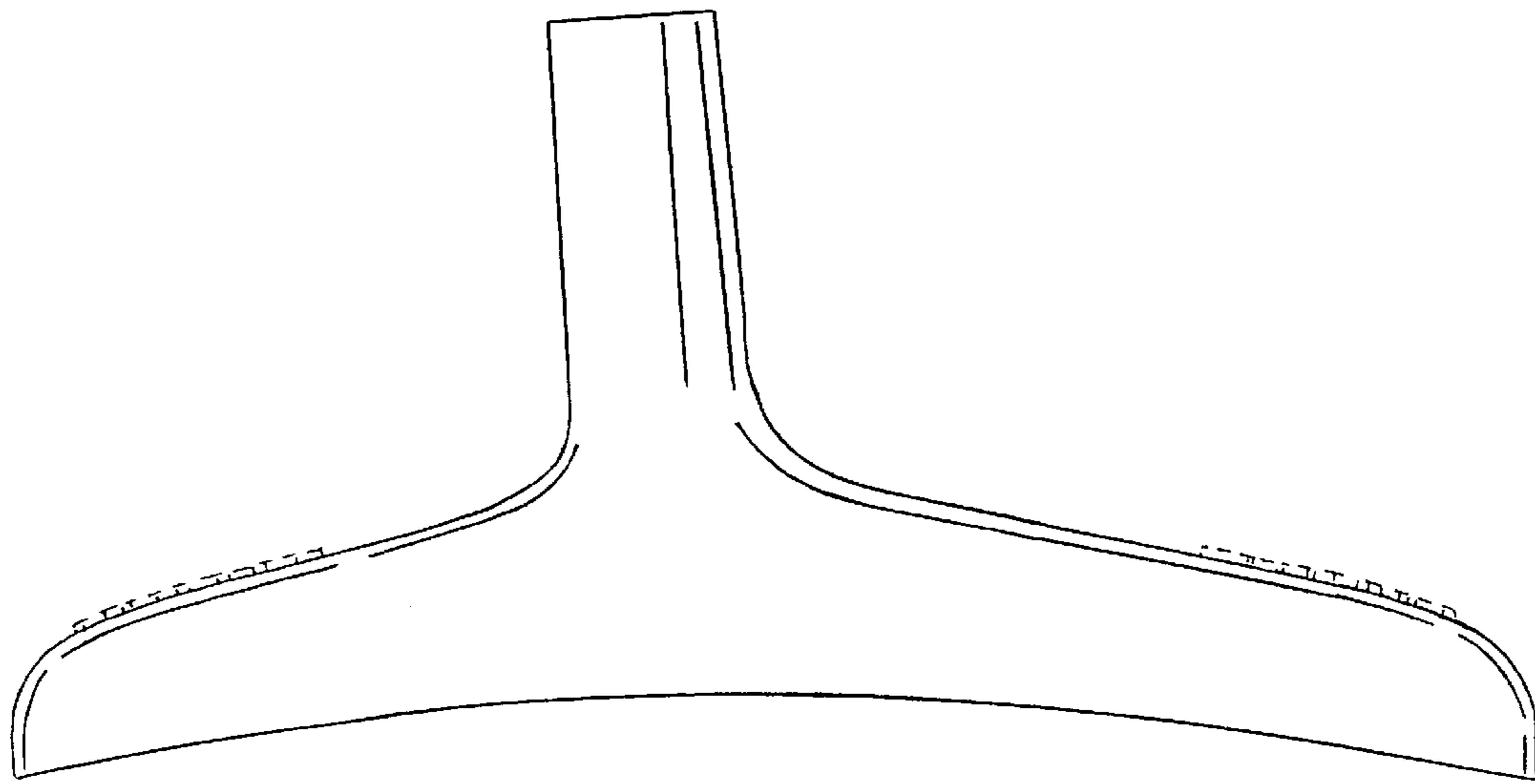


FIG. 5