



US00D515821S

(12) **United States Design Patent**
Gartner

(10) **Patent No.:** **US D515,821 S**

(45) **Date of Patent:** **** Feb. 28, 2006**

(54) **PAD PAINTER**

(75) **Inventor:** **Perry Gartner**, Englewood, NJ (US)

(73) **Assignee:** **Brenner International Corp.**,
Englewood, NJ (US)

(**) **Term:** **14 Years**

(21) **Appl. No.:** **29/198,294**

(22) **Filed:** **Jan. 27, 2004**

(51) **LOC (8) Cl.** **04-04**

(52) **U.S. Cl.** **D4/137; D4/138; D32/52**

(58) **Field of Classification Search** D4/137,
D4/138, 199; D8/90, 94; D32/52; 15/104.93,
15/104.94, 143.1, 209.1, 210.1, 229.11, 229.12,
15/235.4, 244.1; 451/344, 490, 540, 523-525
See application file for complete search history.

(56) **References Cited**

U.S. PATENT DOCUMENTS

227,438 A * 5/1880 Lothrop 451/524 X
2,810,148 A * 10/1957 Wood, Jr. 15/210.1

D198,563 S * 7/1964 Burns et al. D4/137
5,678,277 A * 10/1997 Sorenson 15/210.1
5,885,349 A * 3/1999 Giallourakis 15/210.1 X
6,305,043 B1 * 10/2001 Rosnak 15/210.1 X

* cited by examiner

Primary Examiner—Alan P. Douglas

Assistant Examiner—Lavone D. Tabor

(74) *Attorney, Agent, or Firm*—Richard A. Joel

(57) **CLAIM**

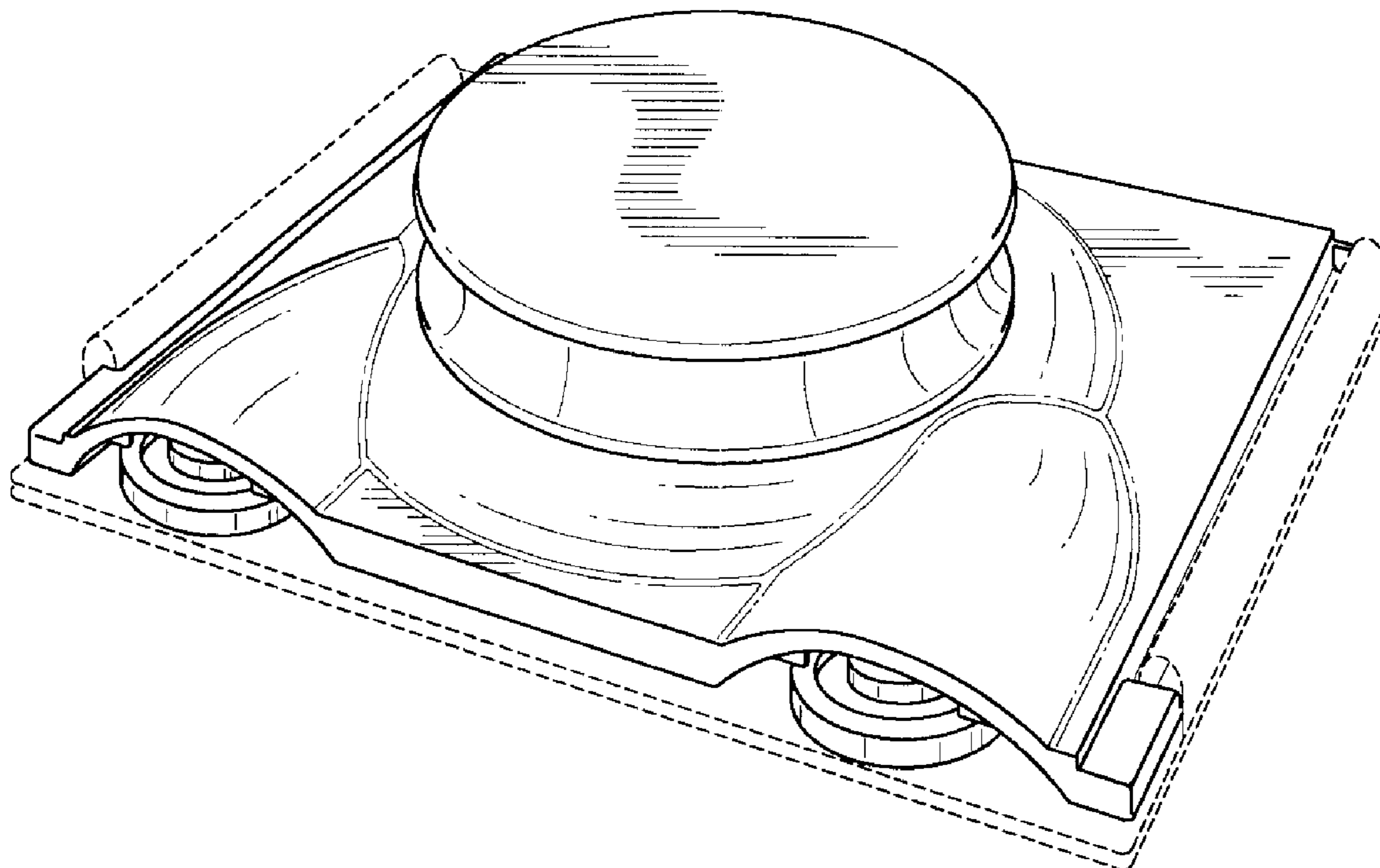
The ornamental design of a pad painter, as shown and described.

DESCRIPTION

FIG. 1 is a front perspective view of the invention;
FIG. 2 is a rear perspective view of the invention;
FIG. 3 is a front view of the invention;
FIG. 4 is a top view of the invention;
FIG. 5 is a rear view of the invention; and,
FIG. 6 is a side view of the invention.

The portion shown in broken lines is for illustrative purposes only and forms no part of the claimed design.

1 Claim, 3 Drawing Sheets



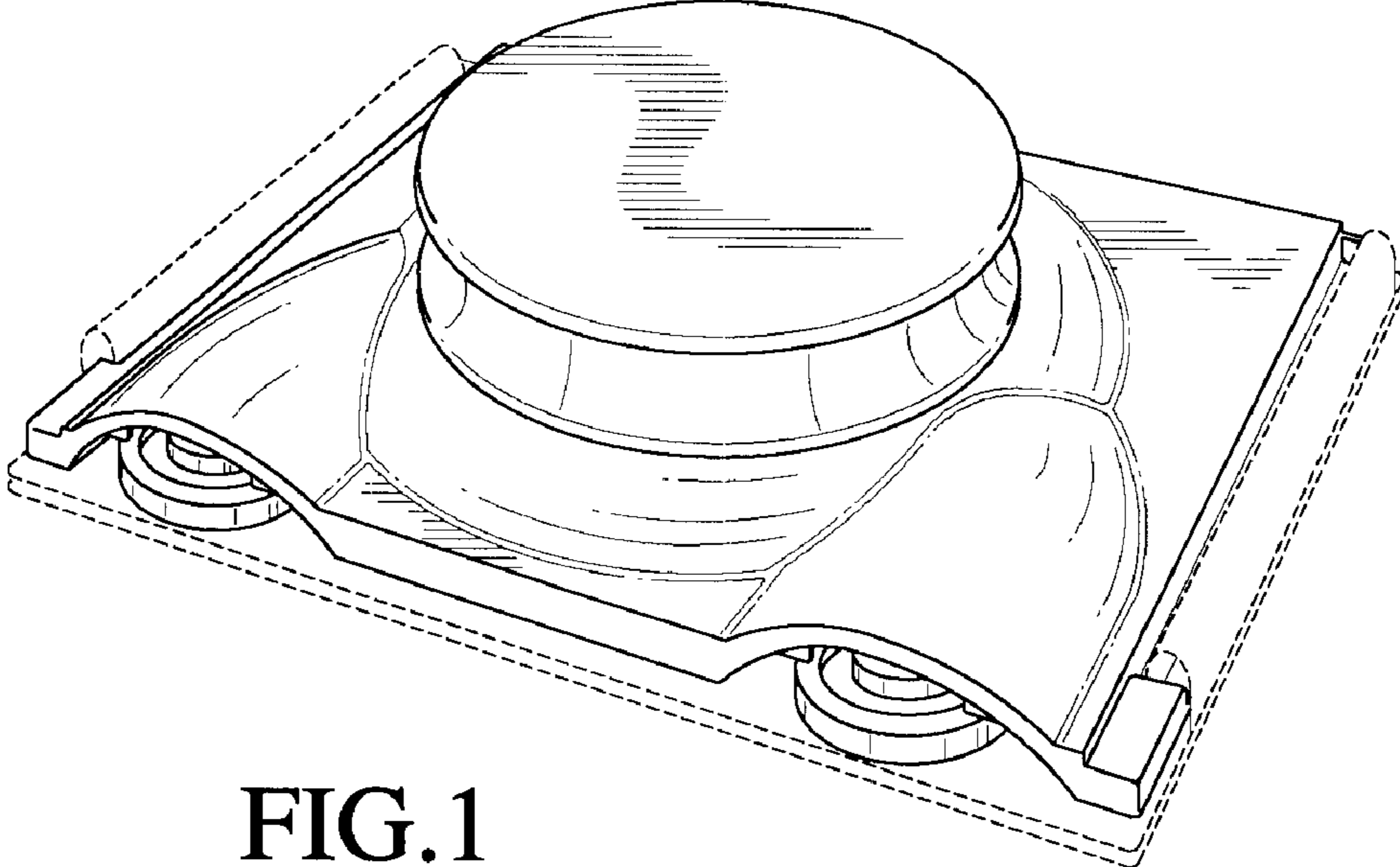


FIG. 1

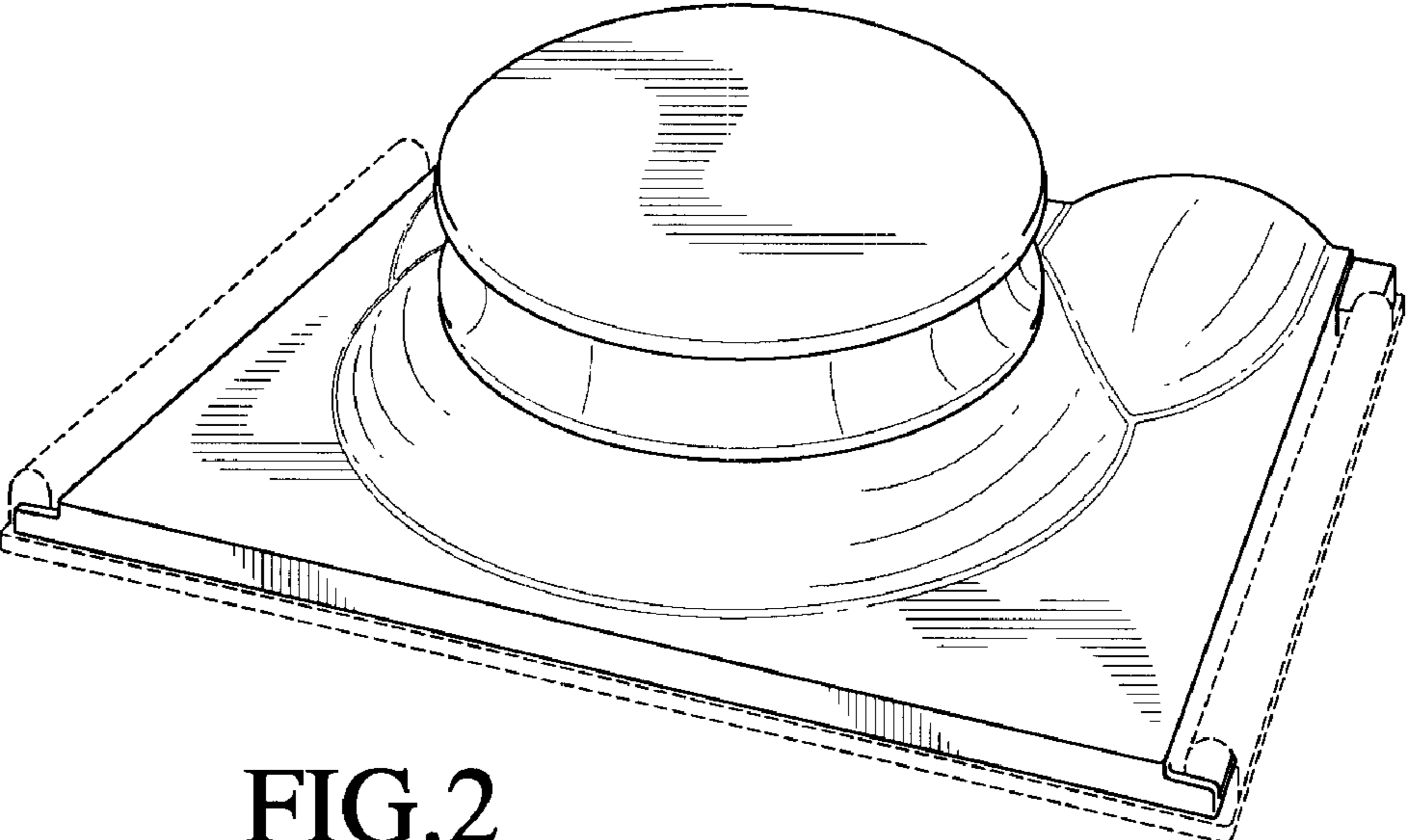


FIG. 2

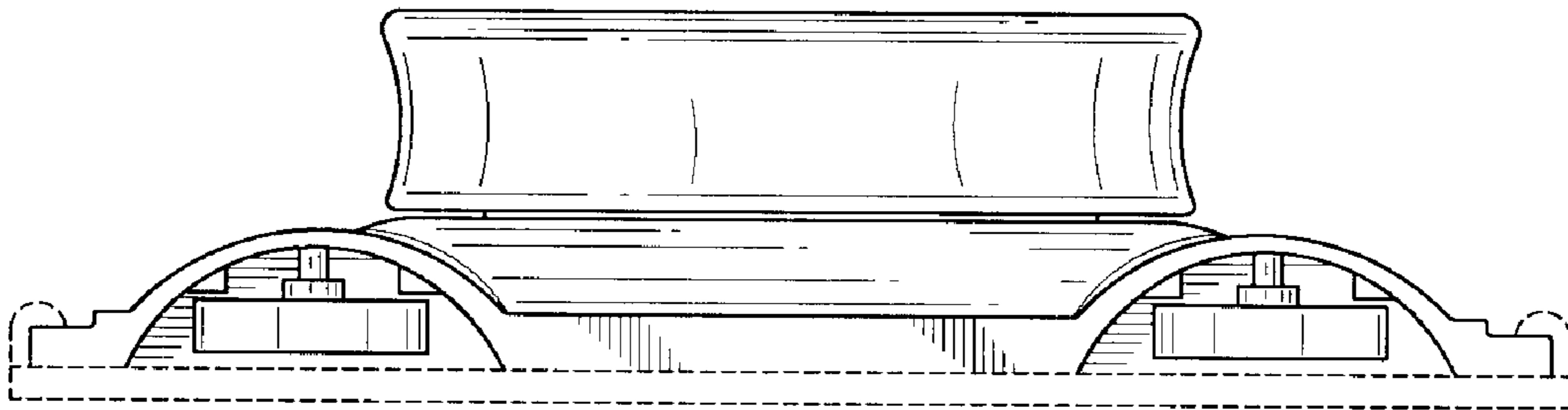
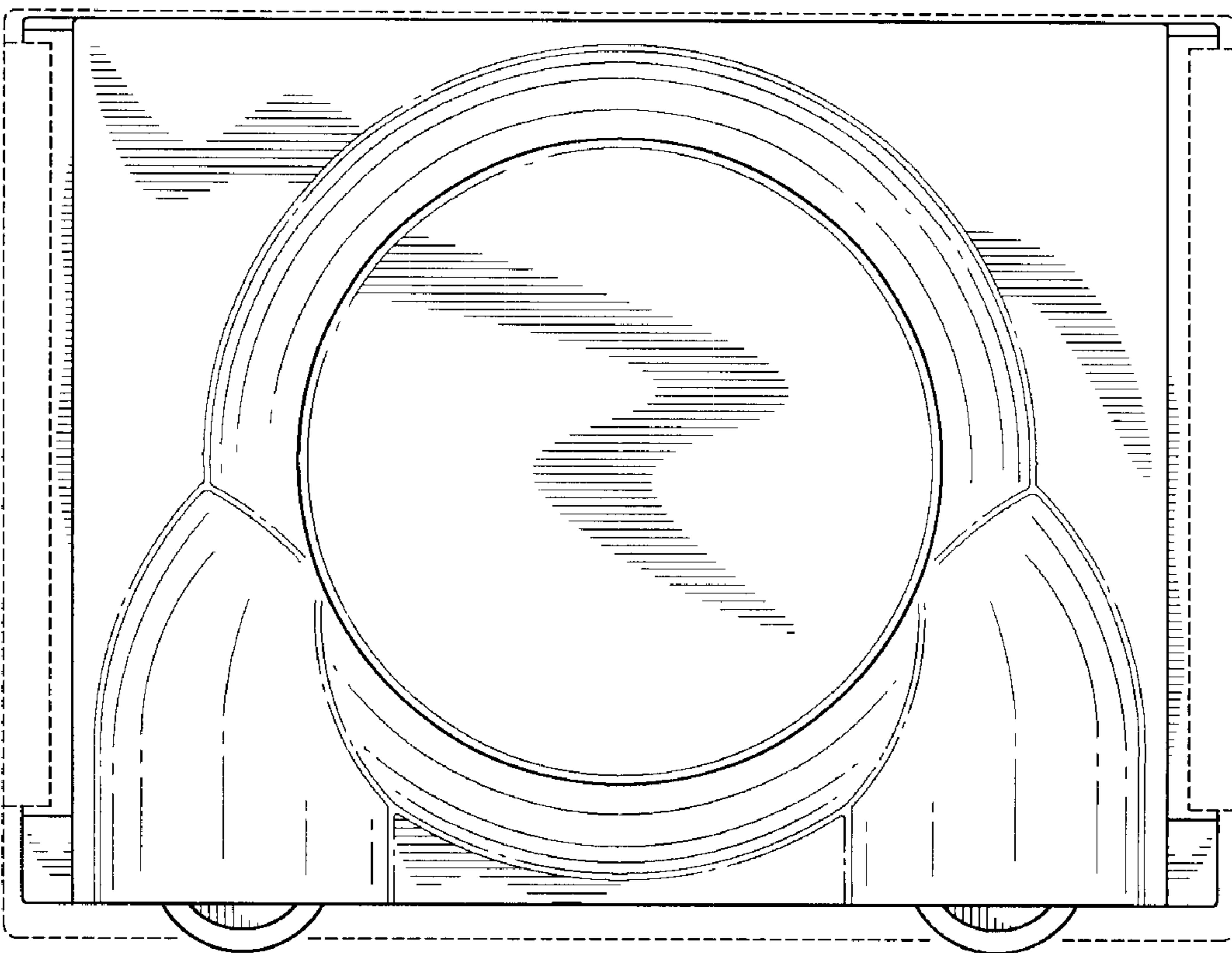


FIG. 3

FIG. 4



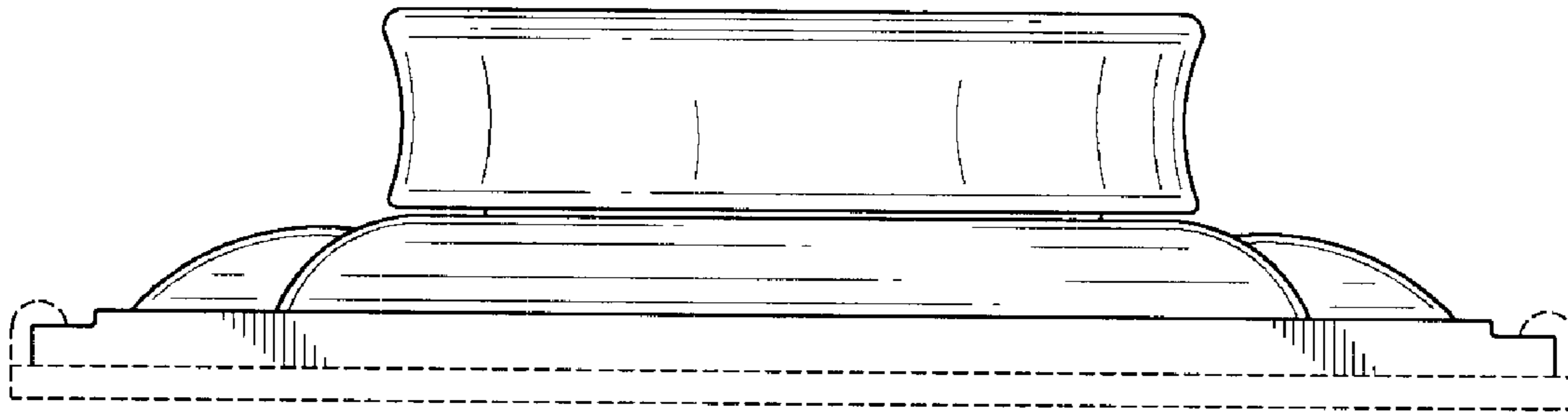


FIG. 5

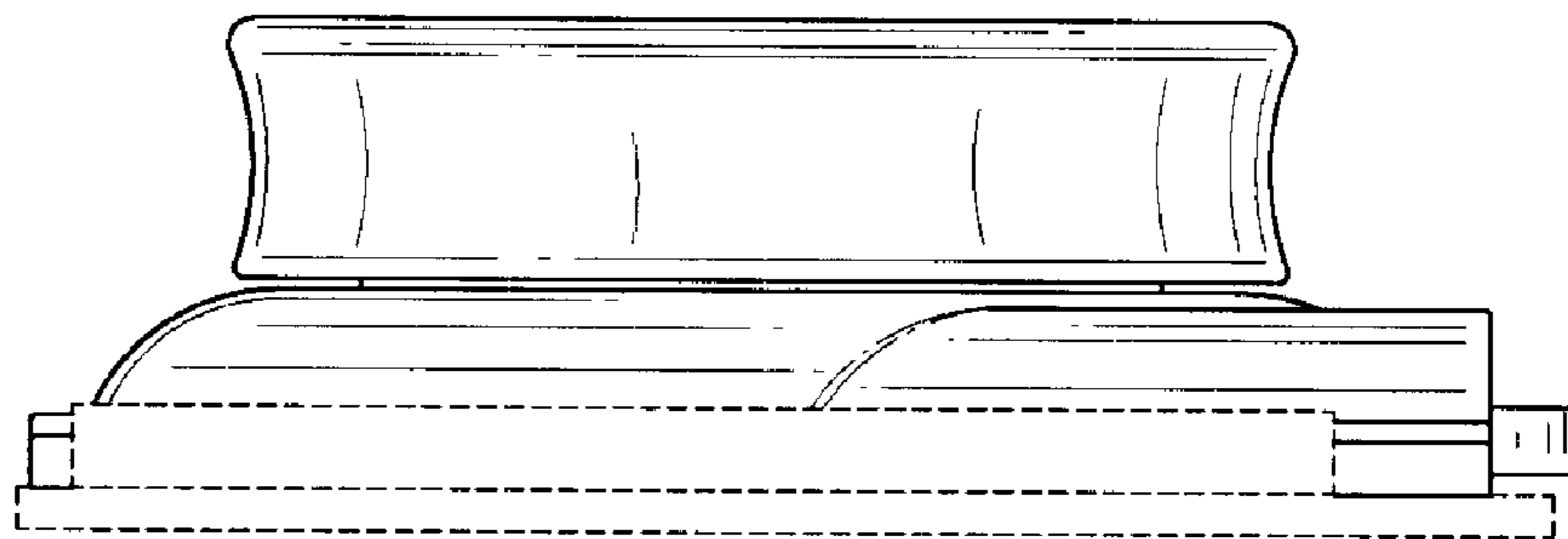


FIG. 6