

US00D515818S

(12) **United States Design Patent**  
**Groblebe et al.**

(10) **Patent No.: US D515,818 S**  
(45) **Date of Patent: \*\* Feb. 28, 2006**

(54) **MANUAL DISHWASHING SPRAY HEAD WITH INTERCHANGEABLE BRUSHES**

(76) Inventors: **David G. Groblebe**, P.O. Box 2265, Durango, CO (US) 81301; **Jeffrey S. Orach**, 1101 W. Camino Desierto, Tucson, AZ (US) 85704

(\*\*) Term: **14 Years**

(21) Appl. No.: **29/172,638**

(22) Filed: **Dec. 13, 2002**

(51) **LOC (8) Cl. .... 04-01**

(52) **U.S. Cl. .... D4/115; D4/127; D4/128; D4/136**

(58) **Field of Classification Search** ..... D4/102, D4/114, 115, 127, 128, 132, 136, 138; D23/223, D23/226, 239, 240; D32/45; 15/22.1, 23, 15/24, 27-29, 74; 239/289, 316, 381, 525, 239/526, 530; 401/6, 42, 43, 270, 271, 276, 401/278, 279, 286, 287, 289, 290, 291  
See application file for complete search history.

(56) **References Cited**

**U.S. PATENT DOCUMENTS**

D167,909 S	*	10/1952	Restagno	.....	D4/102
D197,458 S	*	2/1964	Bucknell et al.	.....	D4/115
D290,550 S	*	6/1987	Tsuji et al.	.....	D4/102
D313,890 S	*	1/1991	Machuron	.....	D4/102
5,316,401 A	*	5/1994	Sears	.....	401/137 X
5,636,400 A	*	6/1997	Young	.....	15/23
D390,915 S	*	2/1998	Futo et al.	.....	D23/226
D401,071 S	*	11/1998	Laster	.....	D4/115
6,000,626 A	*	12/1999	Futo et al.	.....	239/526 X
6,270,278 B1	*	8/2001	Mauro	.....	401/289
6,602,010 B1	*	8/2003	Doyle et al.	.....	401/289 X

\* cited by examiner

*Primary Examiner*—Alan P. Douglas

*Assistant Examiner*—Lavone D. Tabor

(74) *Attorney, Agent, or Firm*—Kenton L. Freudenberg; Maxwell C. Freudenberg

(57) **CLAIM**

The ornamental design for a manual dishwashing spray head with interchangeable brushes, as shown and described.

**DESCRIPTION**

The present invention relates to a design for a manually operable dishwashing spray head attachable to a kitchen sink hose for dispensing water and/or soap.

FIG. 1 is a perspective view of the spray head and first brush assembly as seen from the front left.

FIG. 2 is a side view corresponding to FIG. 1.

FIG. 3 is a rear view corresponding to FIG. 1.

FIG. 4 is a perspective view from the right rear corresponding to FIG. 1.

FIG. 5 is a perspective view of the spray head and second brush assembly as seen from the front left.

FIG. 6 is a side view corresponding to FIG. 5.

FIG. 7 is a rear view corresponding to FIG. 5.

FIG. 8 is a perspective view from the right rear corresponding to FIG. 5.

FIG. 9 is a perspective view of the spray head and third brush assembly as seen from the front left.

FIG. 10 is a side view corresponding to FIG. 9.

FIG. 11 is a rear view corresponding to FIG. 9.

FIG. 12 is a perspective view from the right rear corresponding to FIG. 9.

FIG. 13 is a perspective view of the spray head and fourth brush assembly as seen from the front left.

FIG. 14 is a side view corresponding to FIG. 13.

FIG. 15 is a rear view corresponding to FIG. 13.

FIG. 16 is a perspective view from the right rear corresponding to FIG. 13.

FIG. 17 is a perspective view of the spray head and fifth brush assembly as seen from the front left.

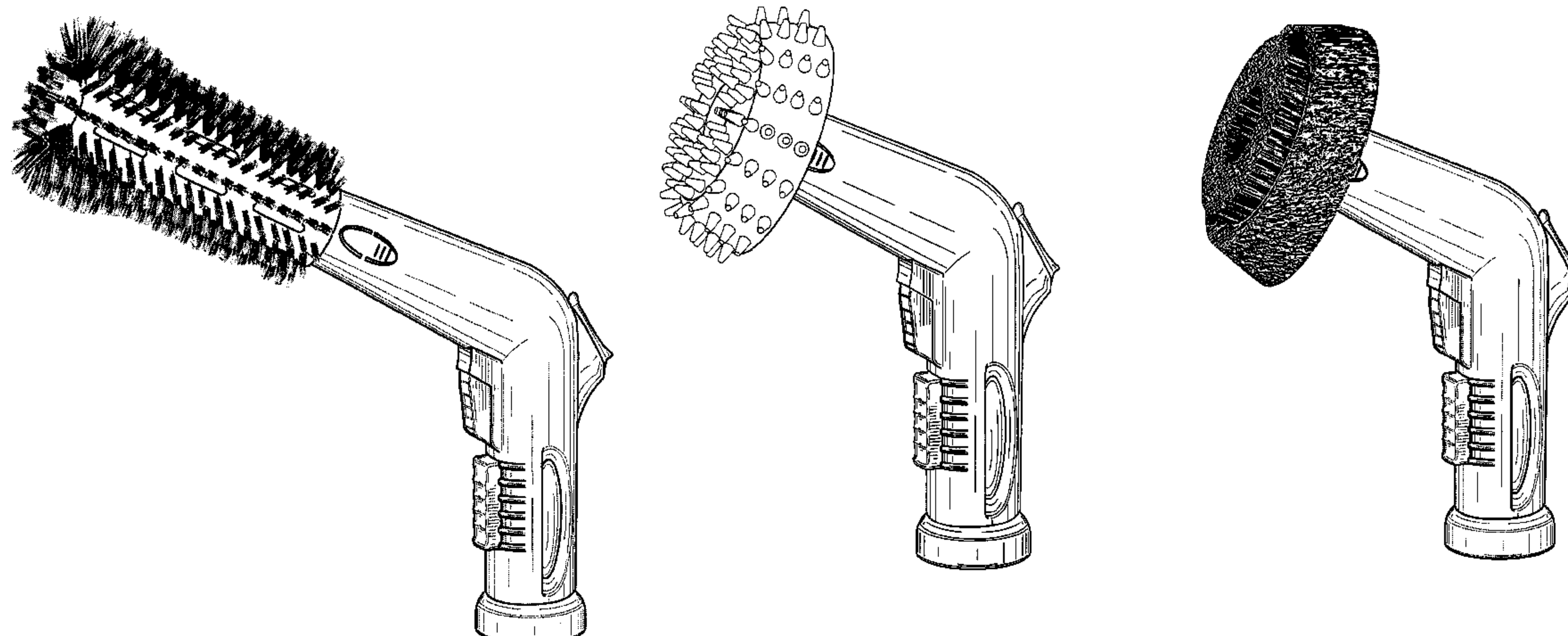
FIG. 18 is a side view corresponding to FIG. 17.

FIG. 19 is a rear view corresponding to FIG. 17; and,

FIG. 20 is a perspective view from the right rear corresponding to FIG. 17.

In the device as shown, views from the right side are mirror images of the corresponding views from the left side and vice versa.

**1 Claim, 10 Drawing Sheets**





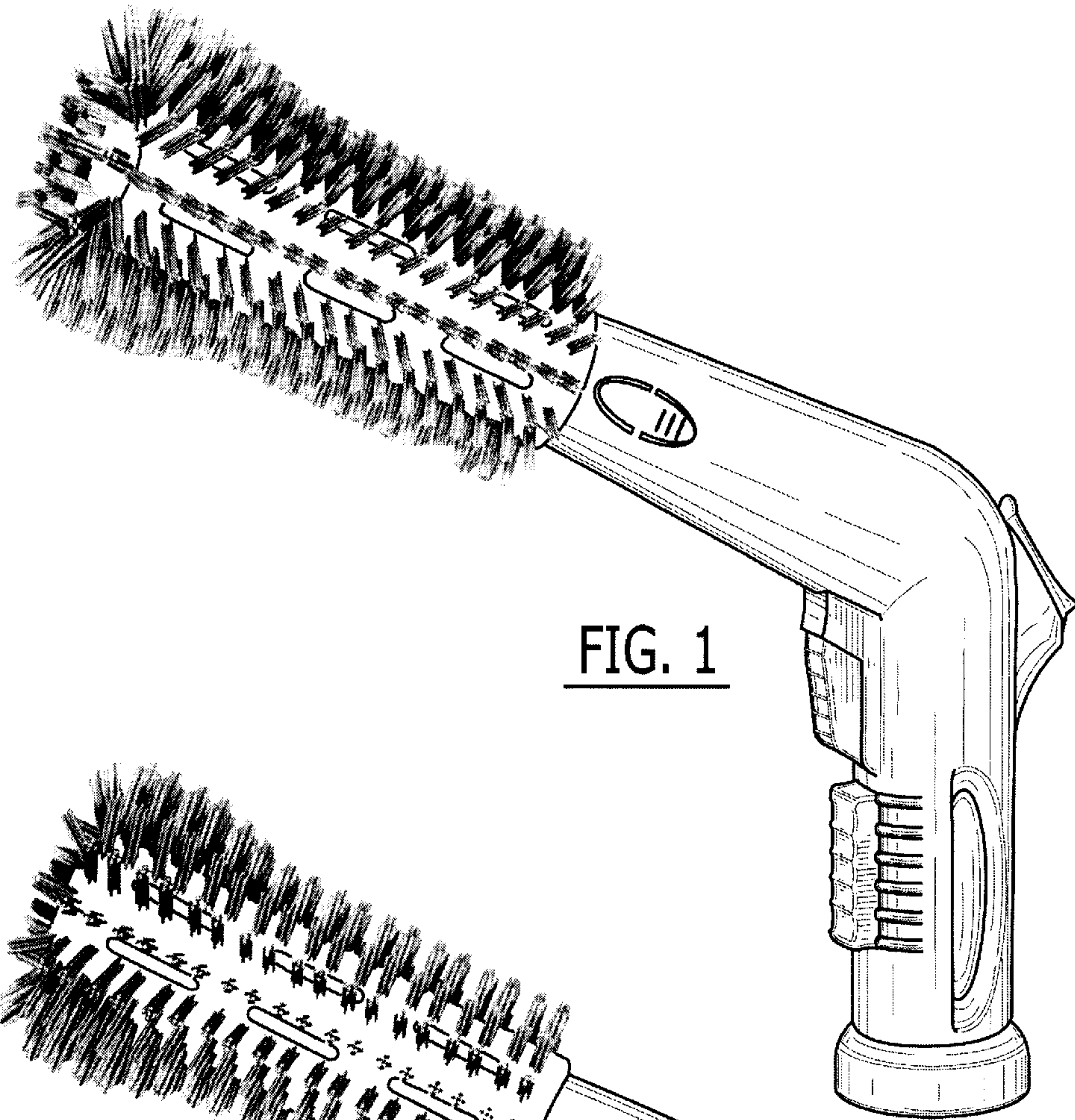


FIG. 1

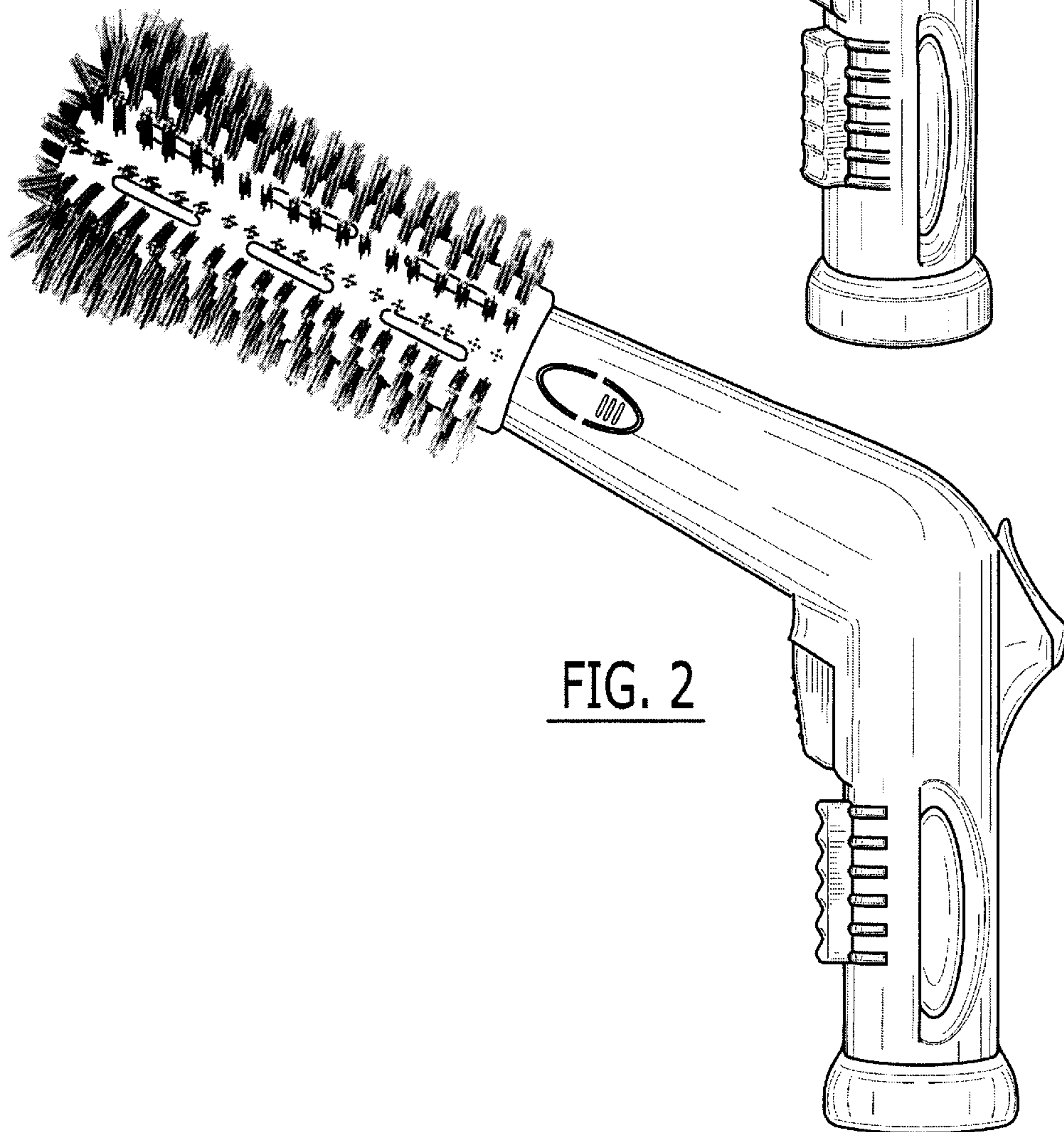


FIG. 2

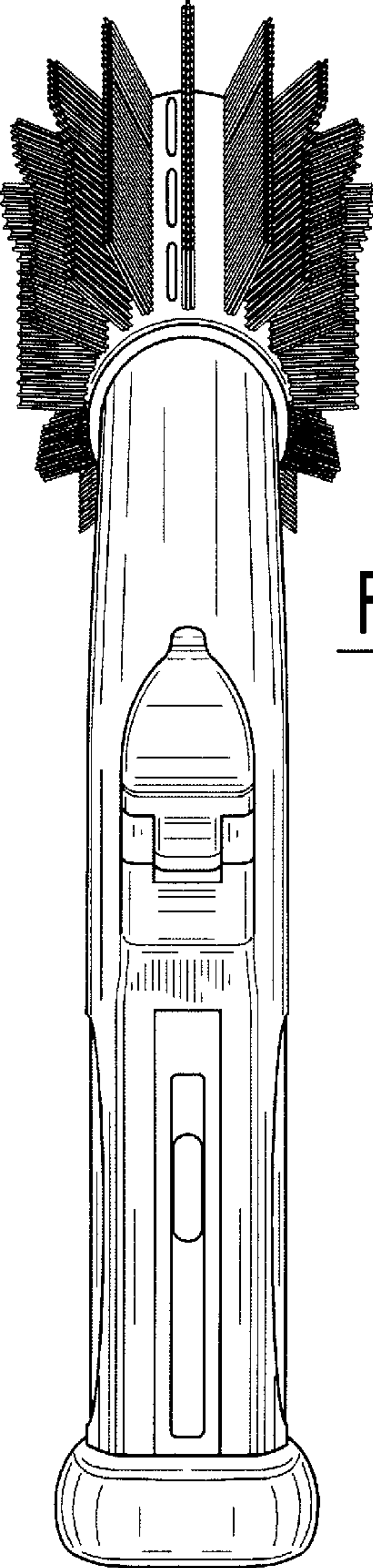


FIG. 3

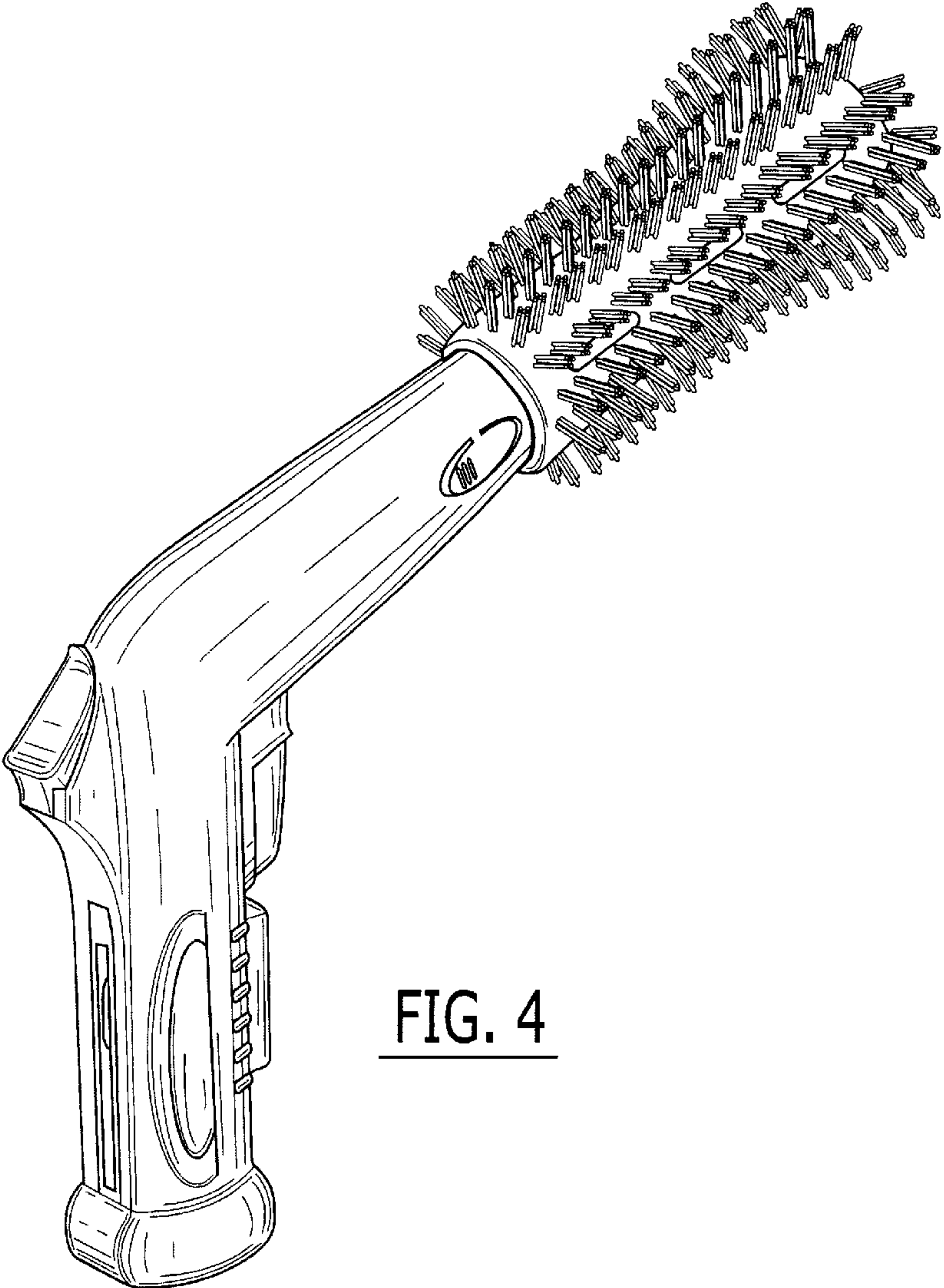


FIG. 4



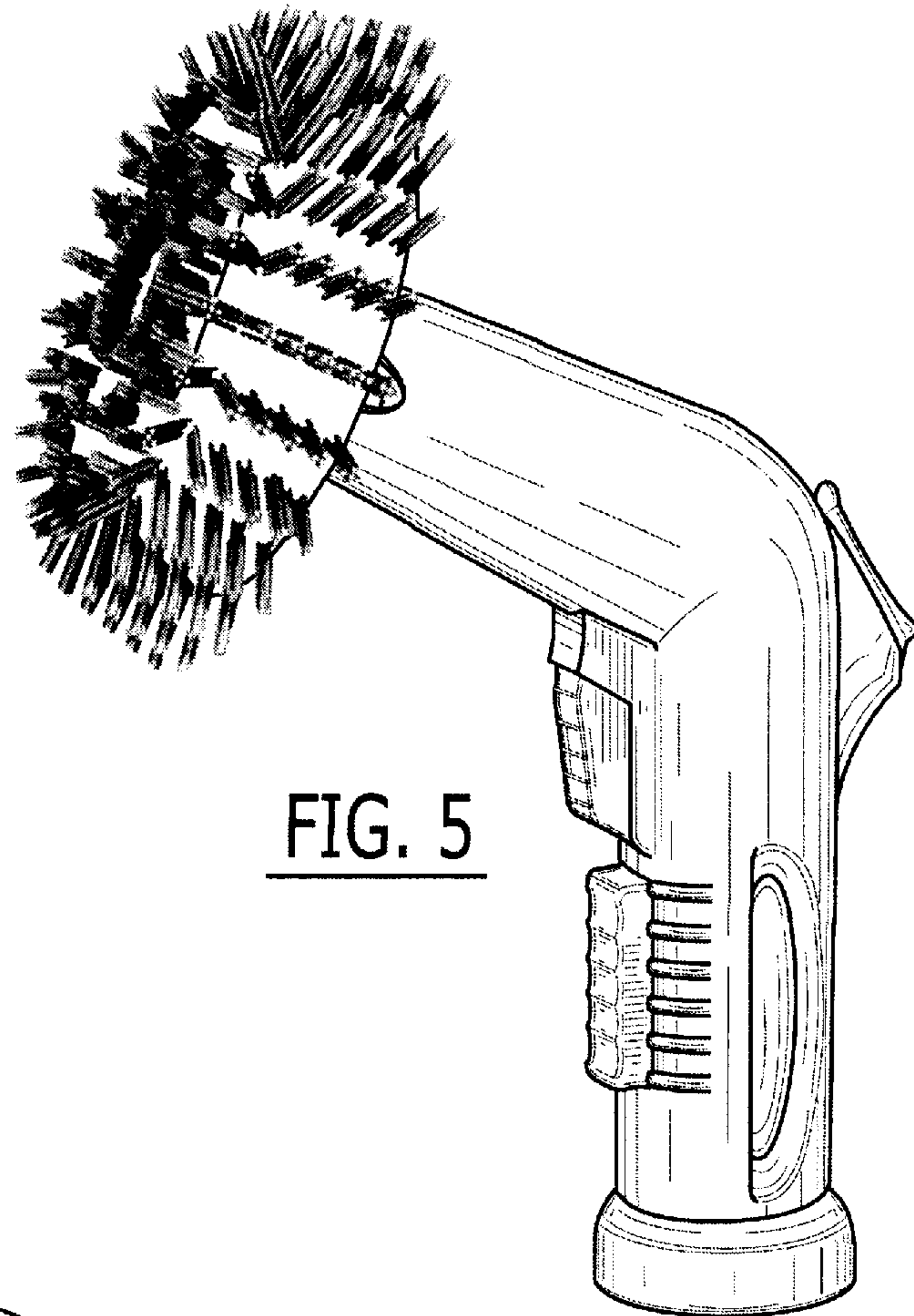


FIG. 5

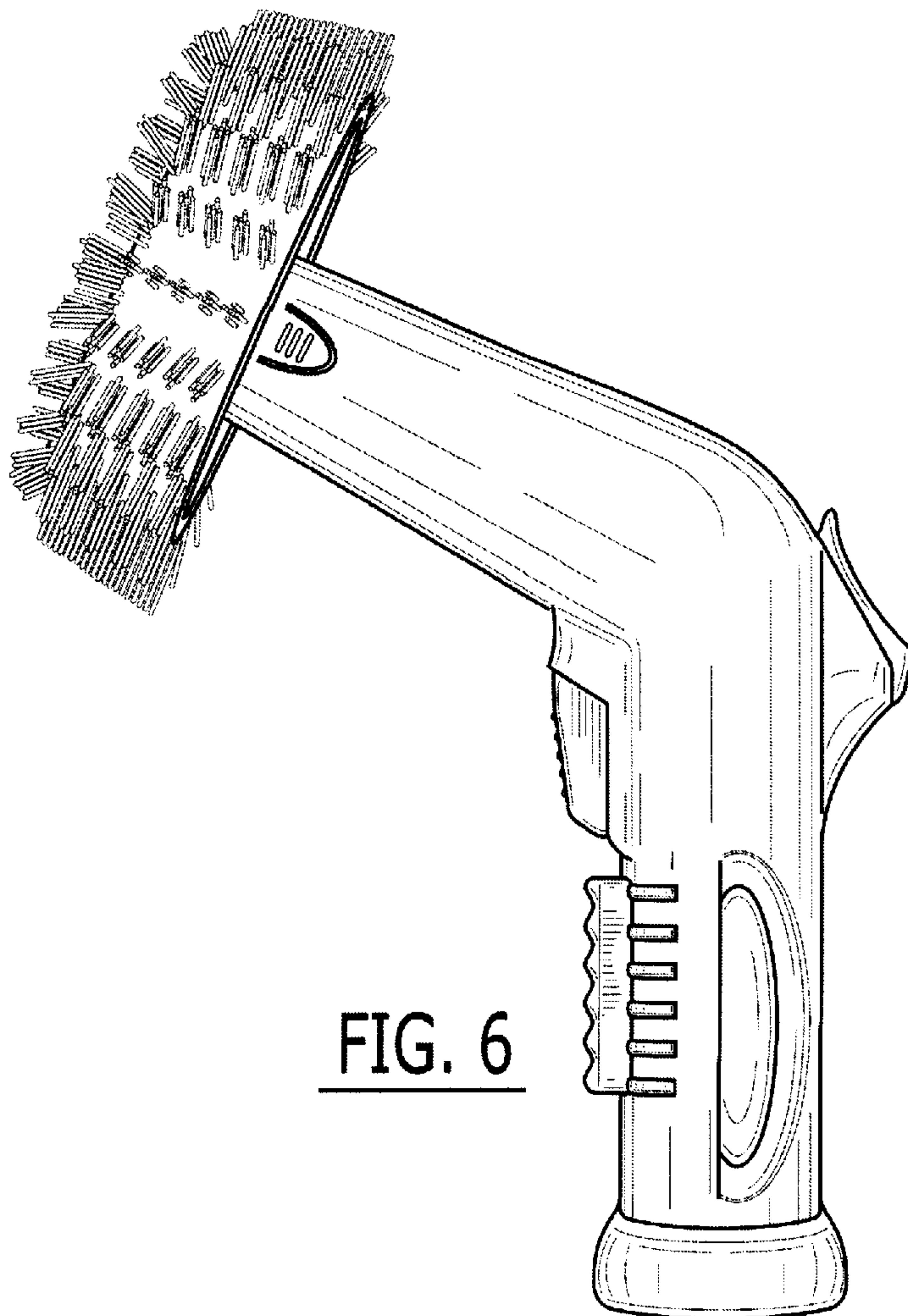


FIG. 6

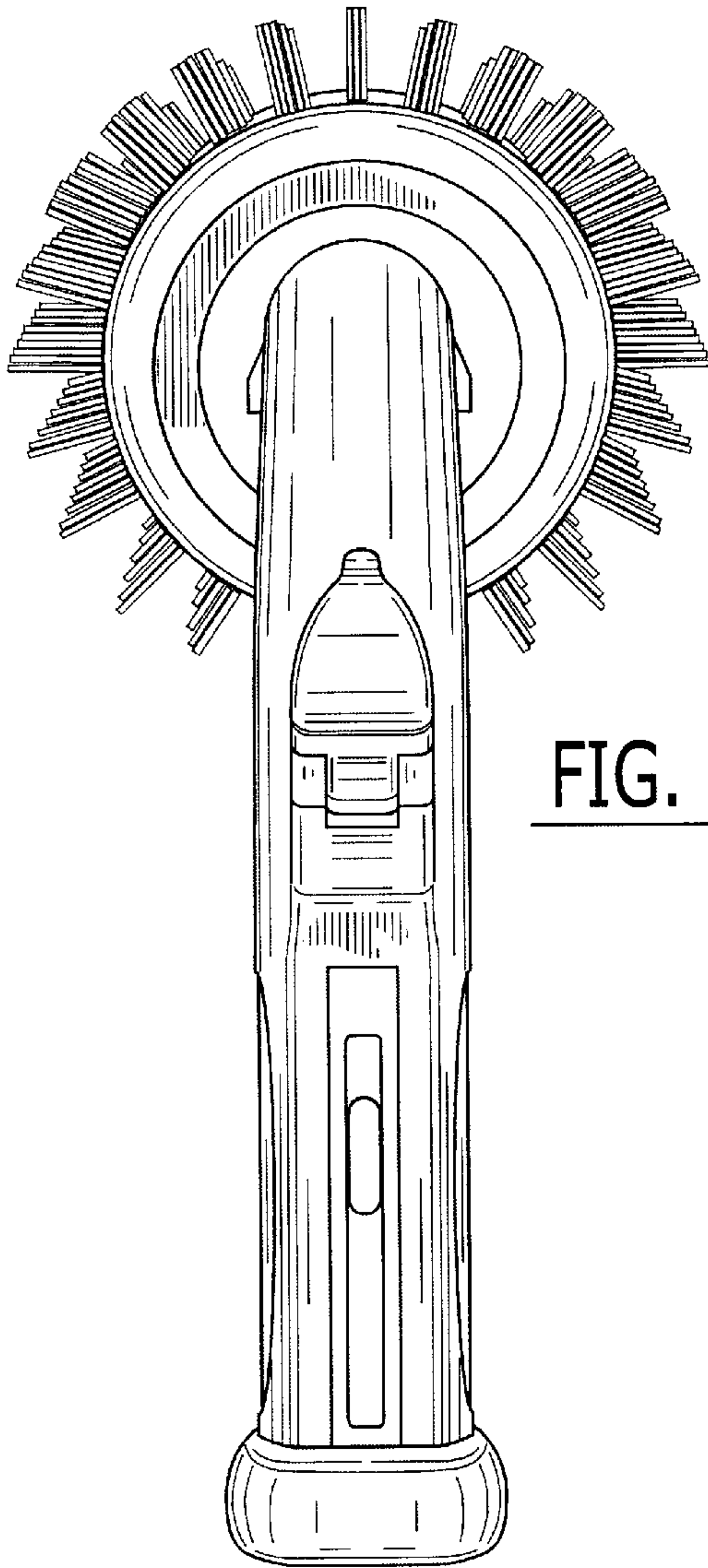


FIG. 7

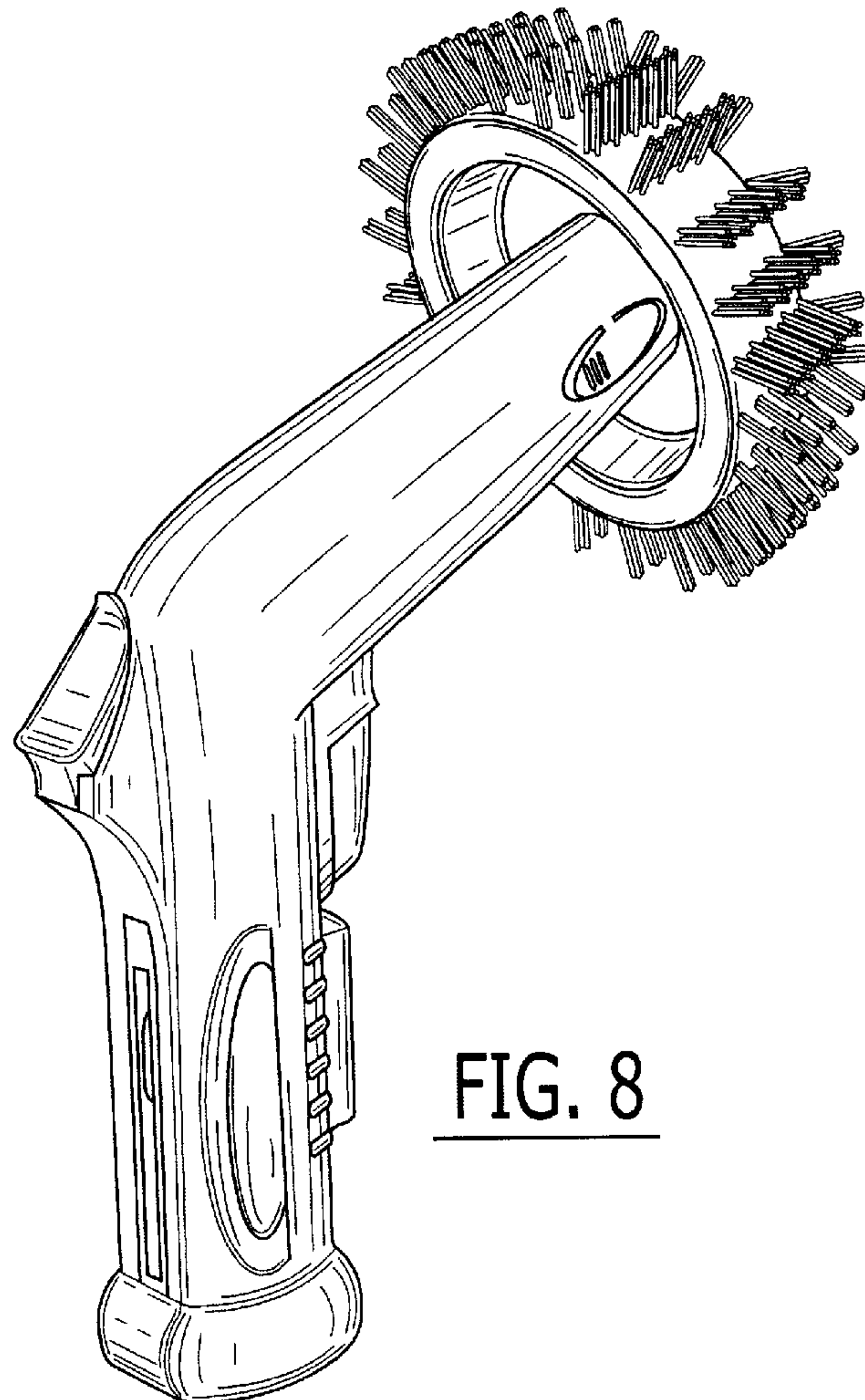


FIG. 8



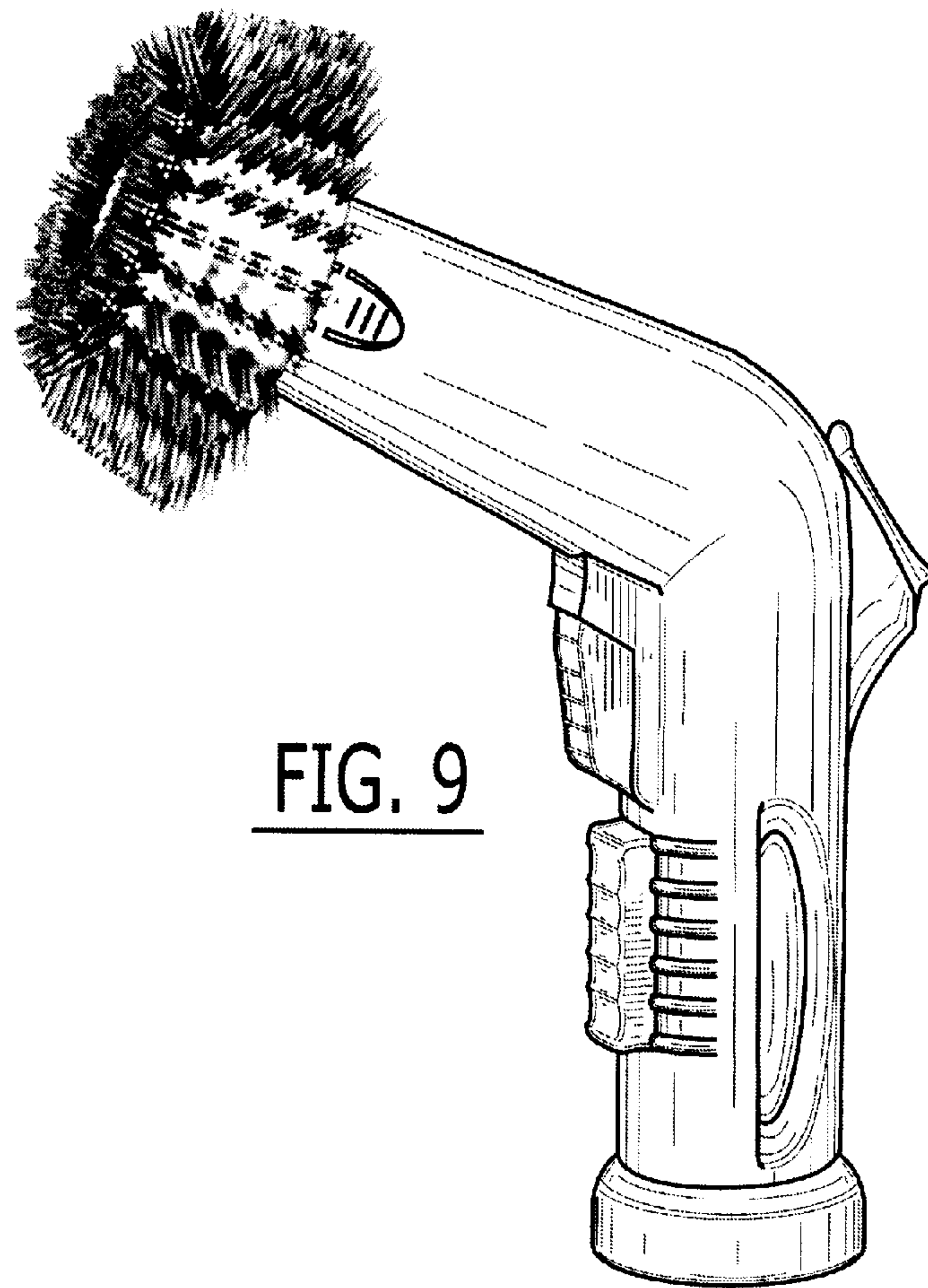


FIG. 9

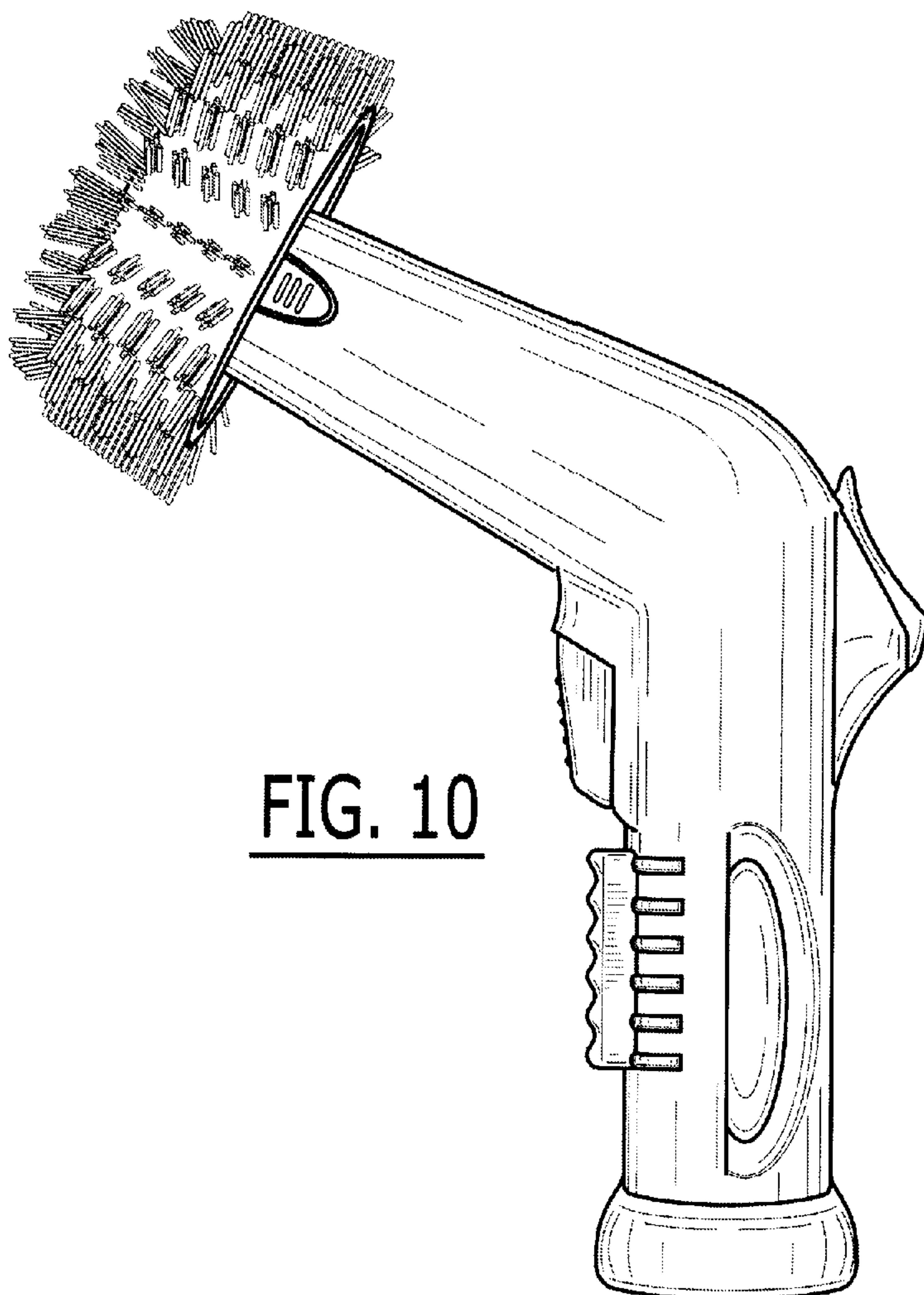


FIG. 10

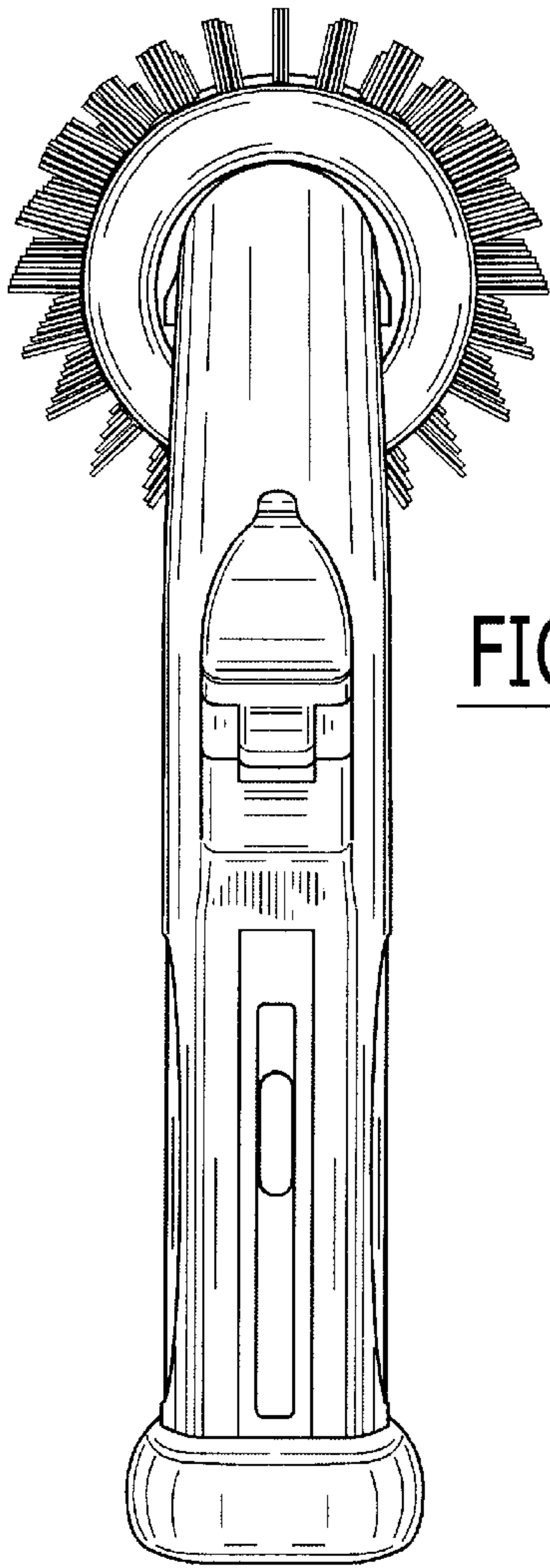


FIG. 11

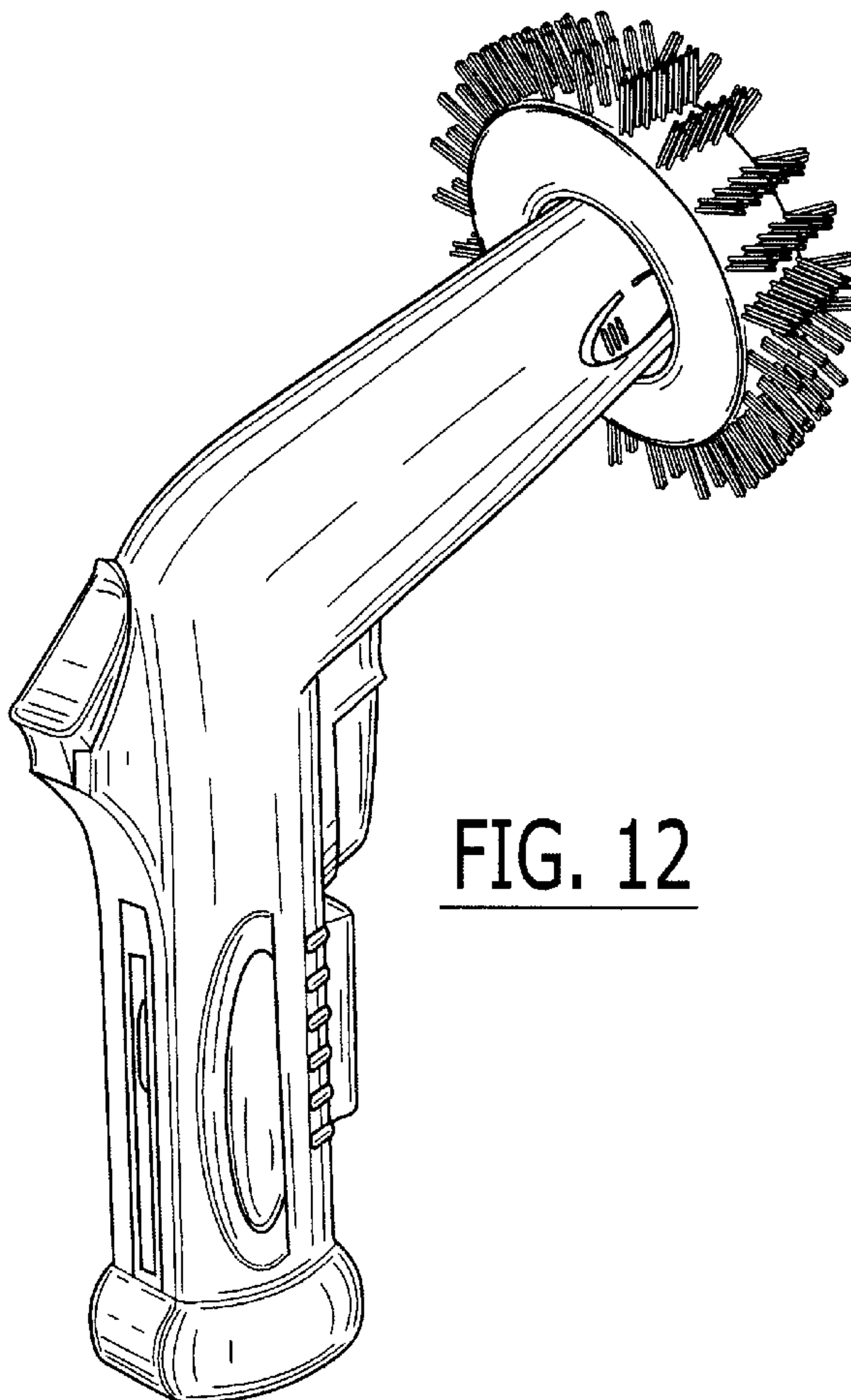


FIG. 12

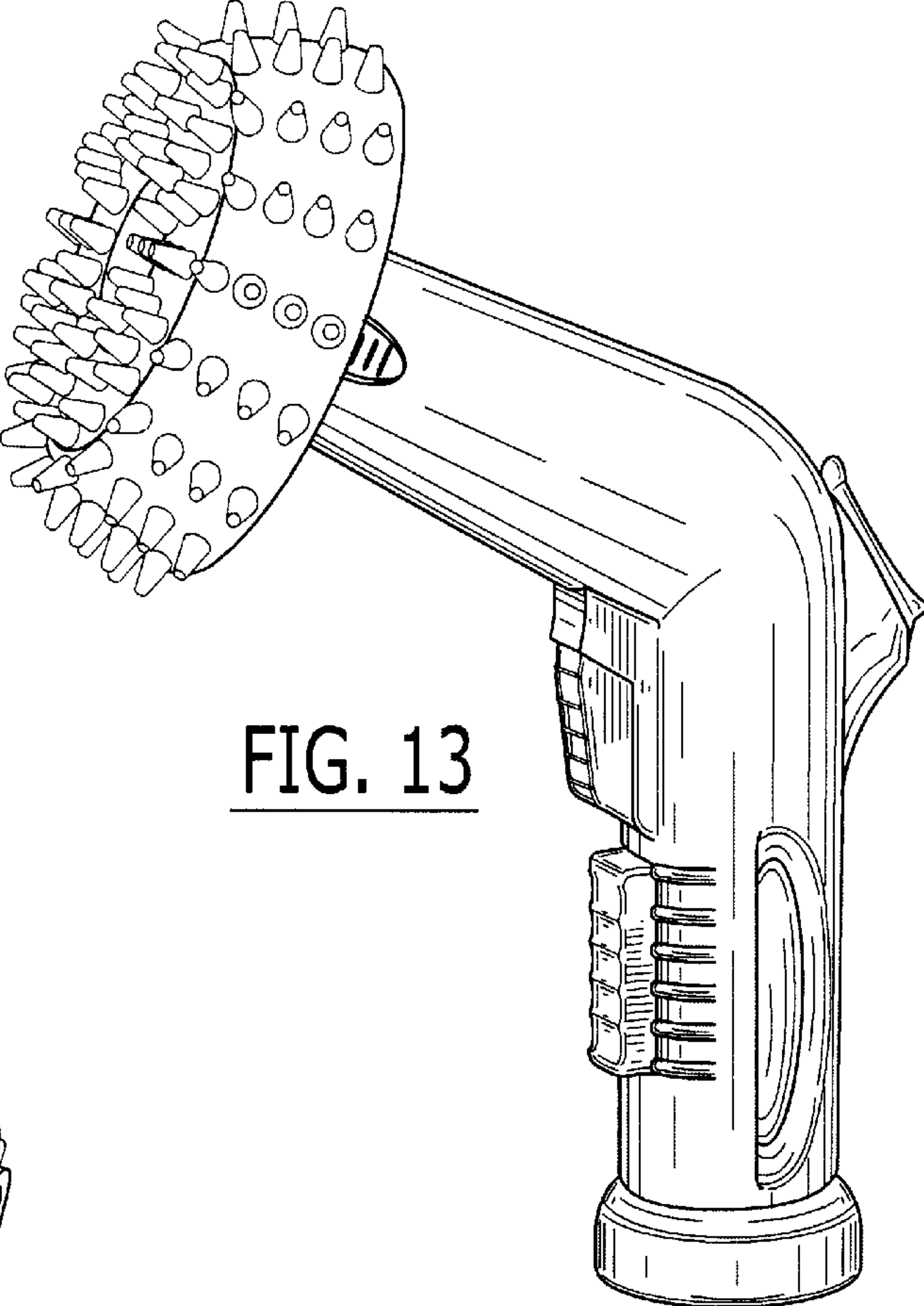


FIG. 13

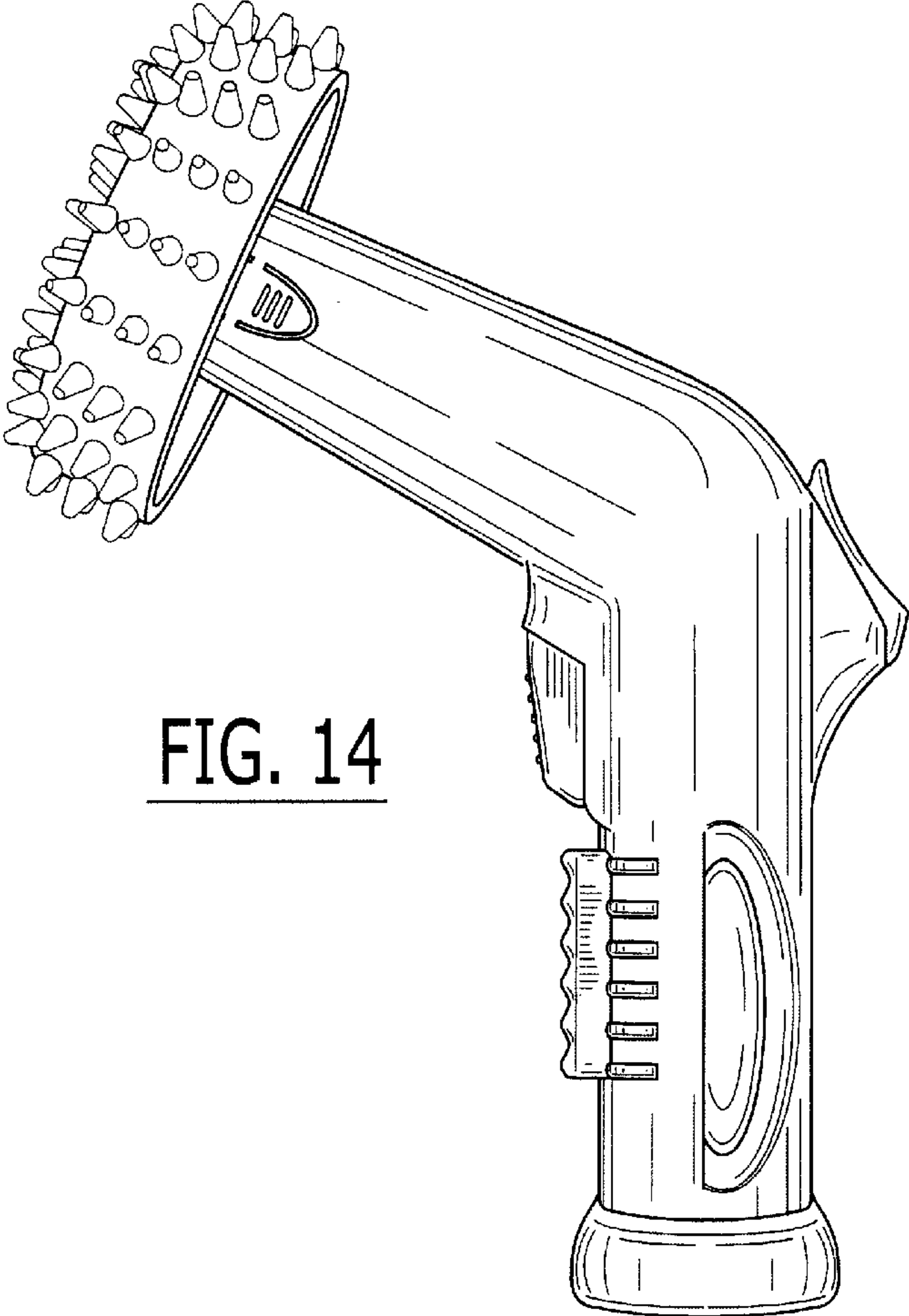


FIG. 14



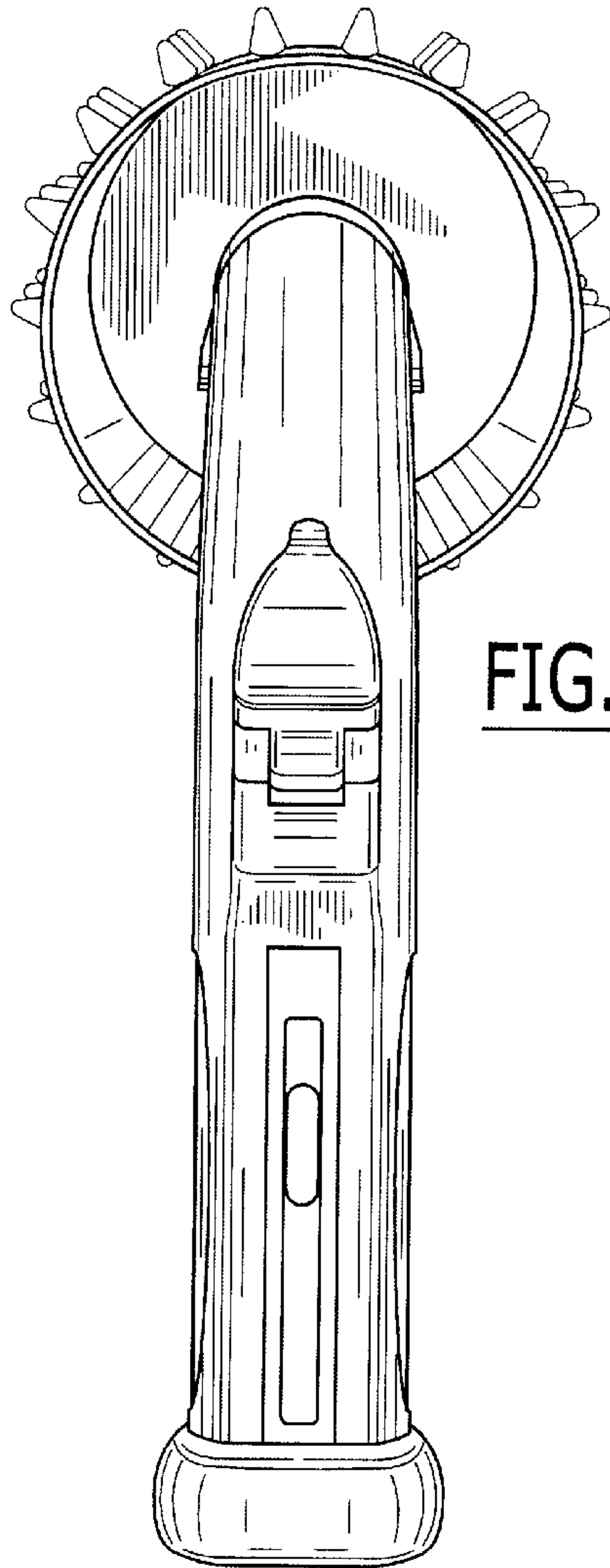


FIG. 15

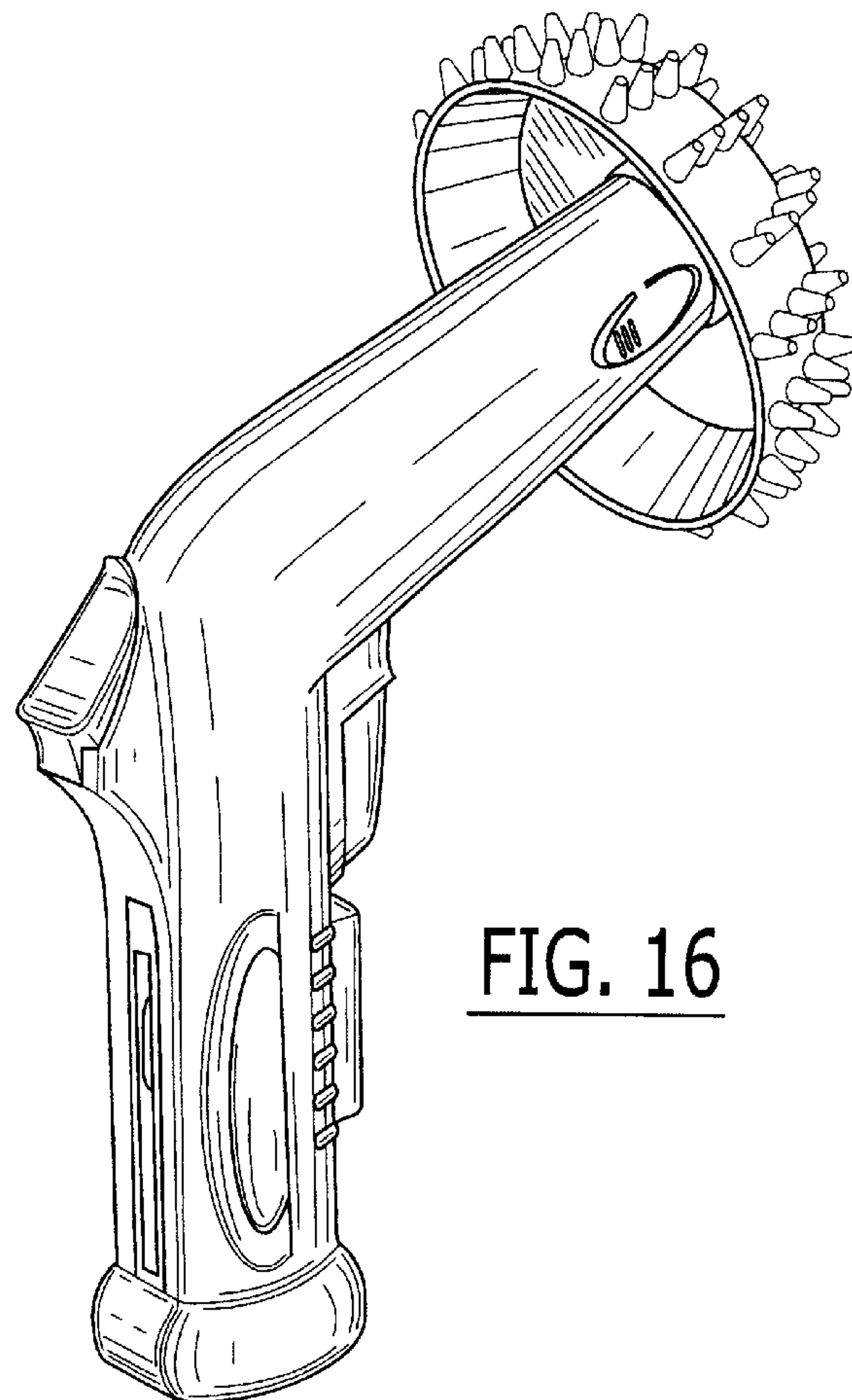


FIG. 16

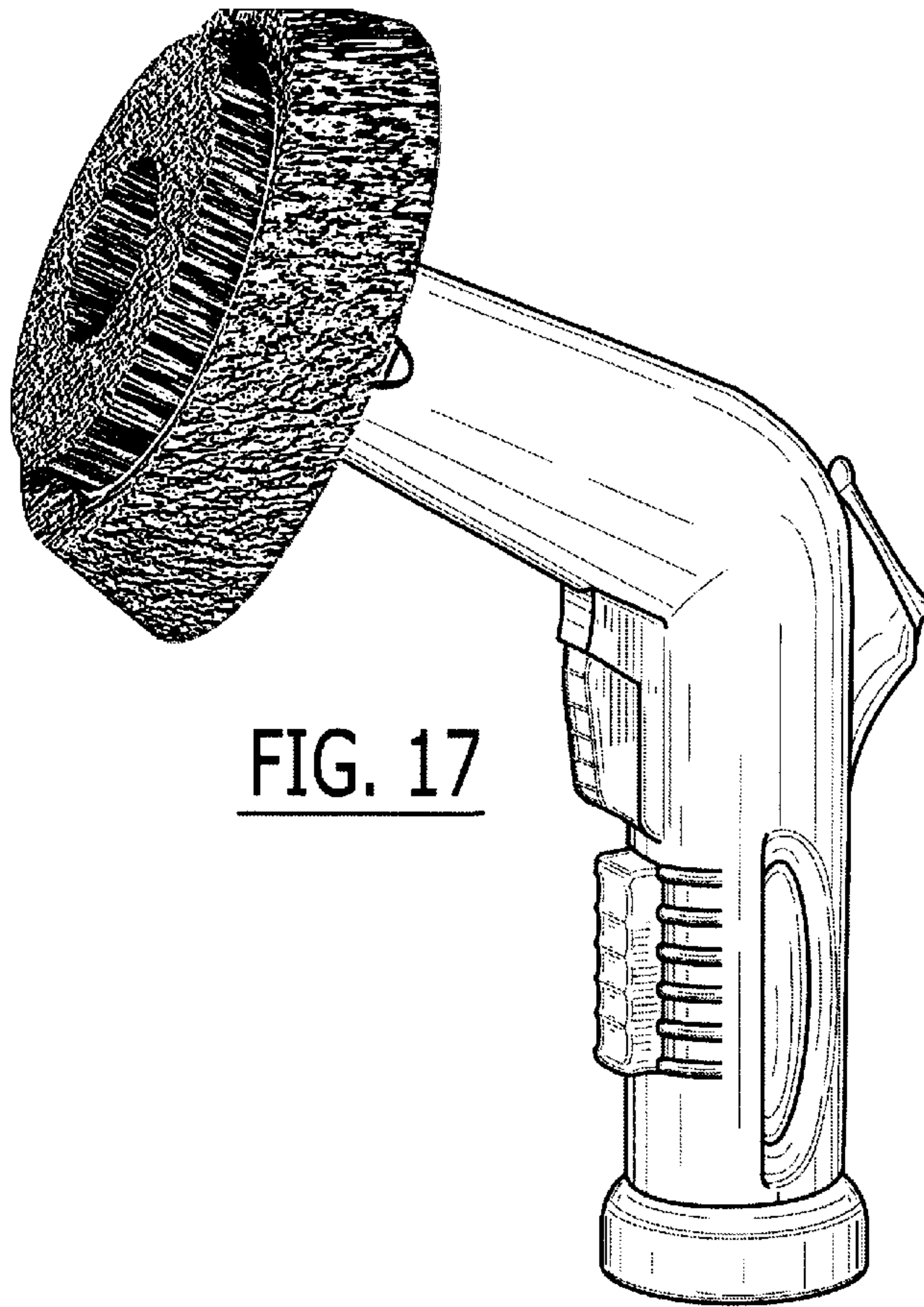


FIG. 17

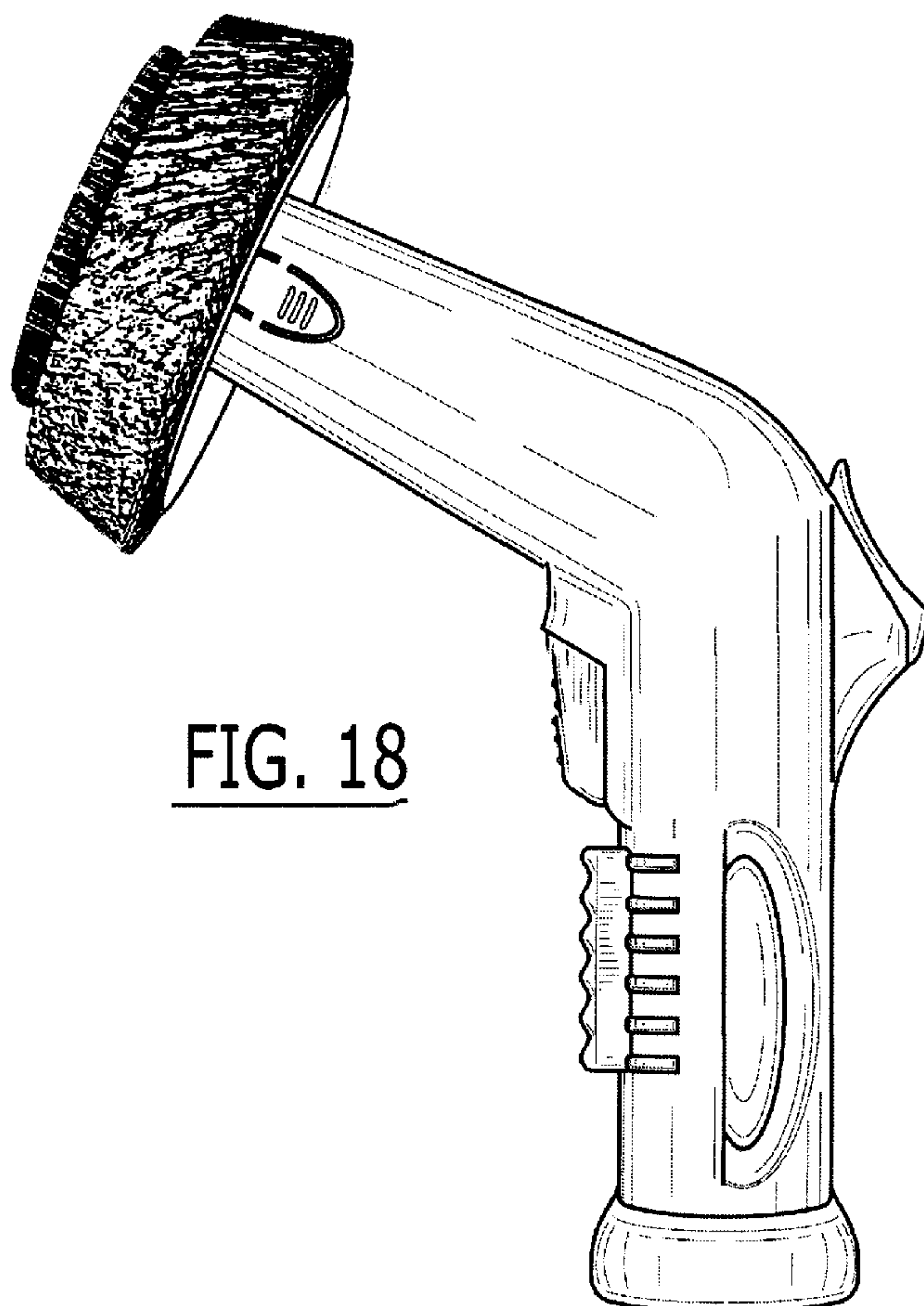


FIG. 18



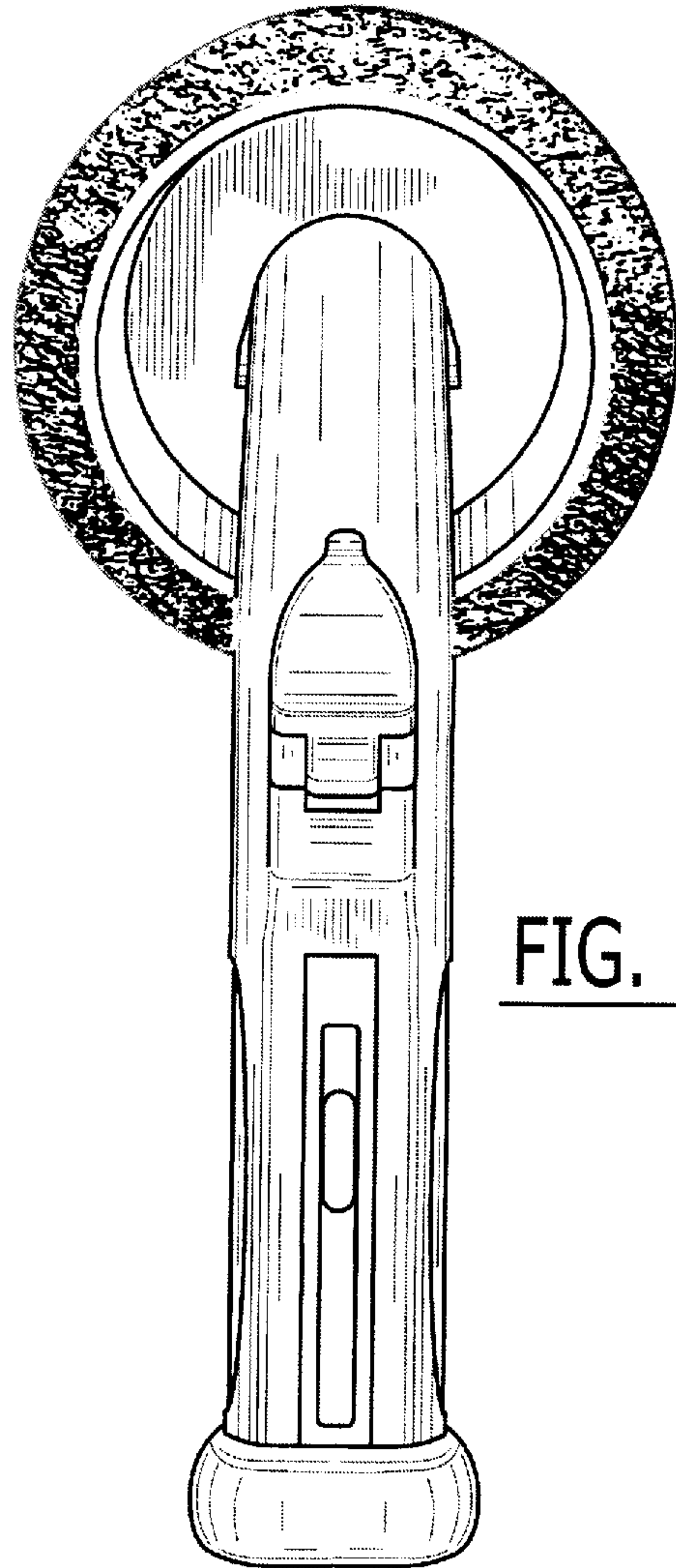


FIG. 19

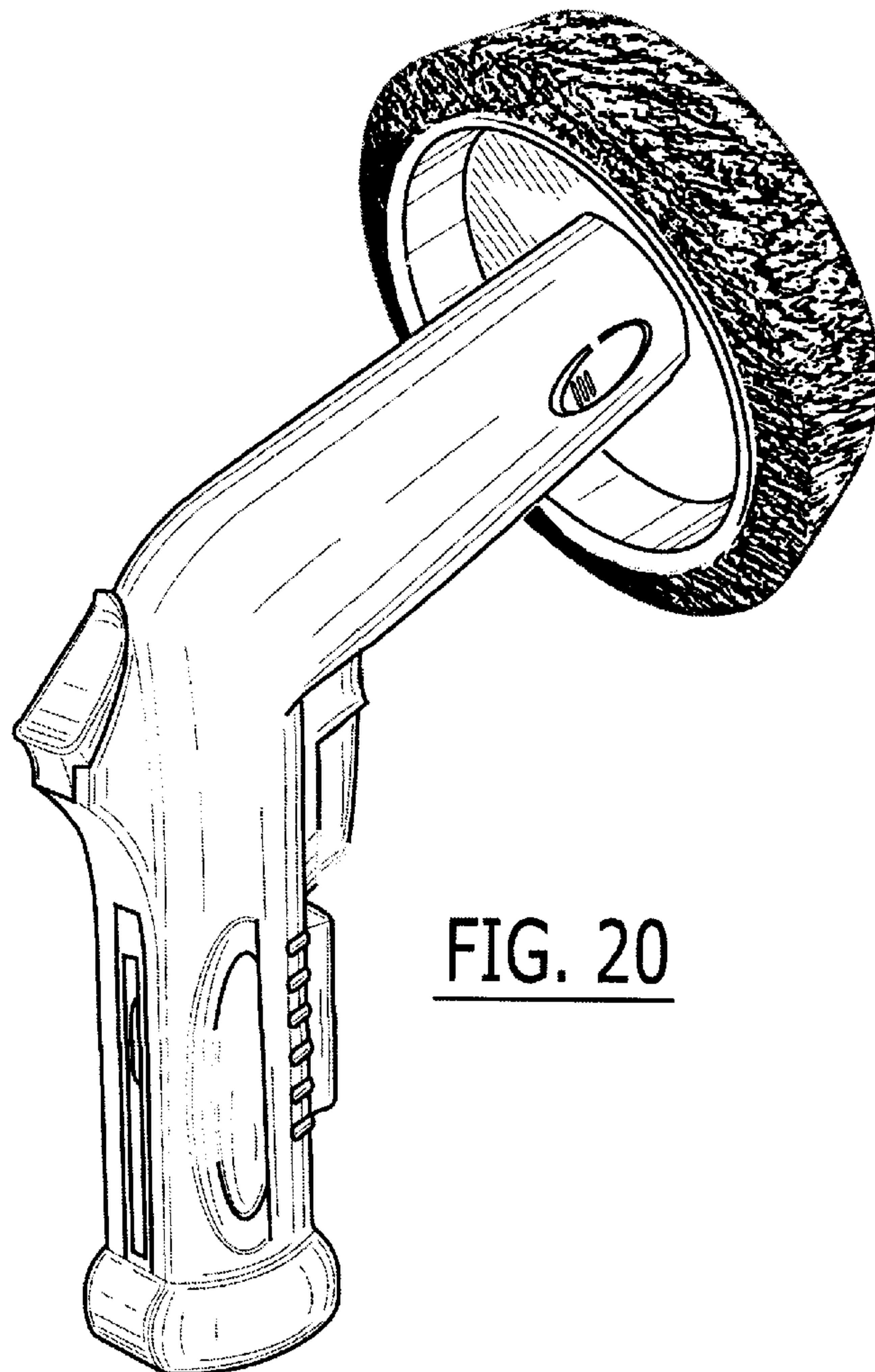


FIG. 20