



US00D515816S

(12) **United States Design Patent**  
**Jimenez et al.**

(10) **Patent No.:** **US D515,816 S**

(45) **Date of Patent:** **\*\* Feb. 28, 2006**

(54) **ELECTRIC TOOTHBRUSH HANDLE**

(75) Inventors: **Eduardo Jimenez**, Manalapan, NJ (US); **Dan Cuffaro**, Melrose, MA (US); **Christine Enderby**, Chelsea, MA (US); **Thomas Swyst**, Arlington, MA (US)

(73) Assignee: **Colgate-Palmolive Company**, New York, NY (US)

(\*\*) Term: **14 Years**

(21) Appl. No.: **29/181,517**

(22) Filed: **May 12, 2003**

(51) **LOC (8) Cl.** ..... **04-02**

(52) **U.S. Cl.** ..... **D4/101; D4/138**

(58) **Field of Classification Search** ..... D4/101, D4/104-112, 138; 15/21.1, 22.1, 23, 24, 15/28, 29, 167.1; 16/110.1, 430, 431; 132/308, 132/309, 311; D8/61; 81/54, 57.11, 57.14; 173/170, 217, 220, 221

See application file for complete search history.

(56) **References Cited**

**U.S. PATENT DOCUMENTS**

- D90,130 S \* 6/1933 Turner ..... D4/138
- D204,127 S \* 3/1966 Syvertson ..... D4/101
- D382,407 S \* 8/1997 Craft et al. .... D4/101
- D404,205 S \* 1/1999 Hohlbein ..... D4/104
- D436,254 S \* 1/2001 Kling et al. .... D4/101
- D440,766 S \* 4/2001 Hartwein et al. .... D4/101
- D459,081 S \* 6/2002 Eliav et al. .... D4/101
- D474,026 S \* 5/2003 Wright ..... D4/101

- D474,895 S \* 5/2003 Breit ..... D4/101
- D479,046 S \* 9/2003 Winkler ..... D4/104
- D479,915 S \* 9/2003 De Salvo ..... D4/101
- D490,982 S \* 6/2004 Moskovich et al. .... D4/104

**FOREIGN PATENT DOCUMENTS**

JP 11318952 A \* 11/1999

\* cited by examiner

*Primary Examiner*—Alan P. Douglas

*Assistant Examiner*—Lavone D. Tabor

(74) *Attorney, Agent, or Firm*—Harris A. Wolin

(57) **CLAIM**

The ornamental design for an electric toothbrush handle, as shown and described.

**DESCRIPTION**

FIG. 1 is a front elevation view of an electric toothbrush handle of our new design;

FIG. 2 is a left side elevation view thereof, the right side view being a mirror image;

FIG. 3 is a back elevation view thereof;

FIG. 4 is a top plan view thereof;

FIG. 5 is a bottom plan view thereof;

FIG. 6 is a front perspective view thereof, as seen from the bottom left side; and,

FIG. 7 is a back perspective view thereof, as seen from the bottom right side.

The toothbrush head is shown in broken lines for illustrative purposes only and forms no part of the claimed design.

**1 Claim, 3 Drawing Sheets**

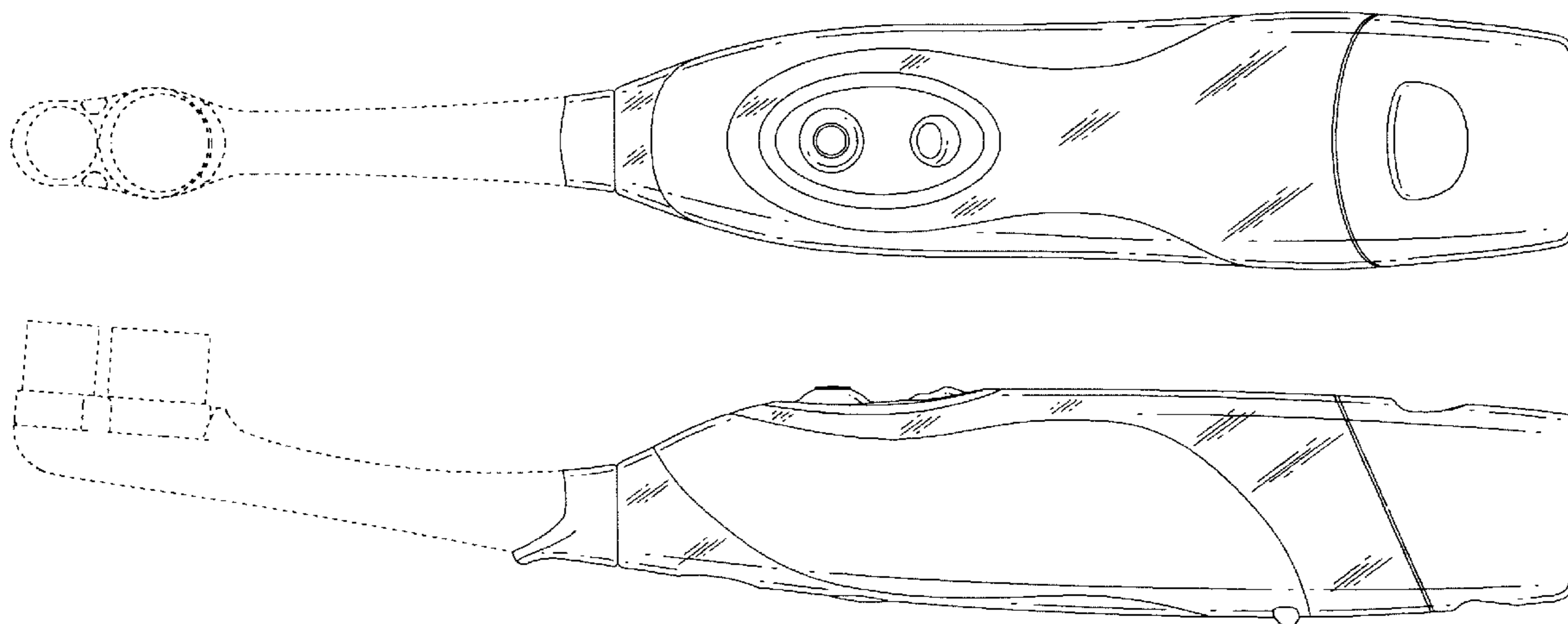


FIG. 1

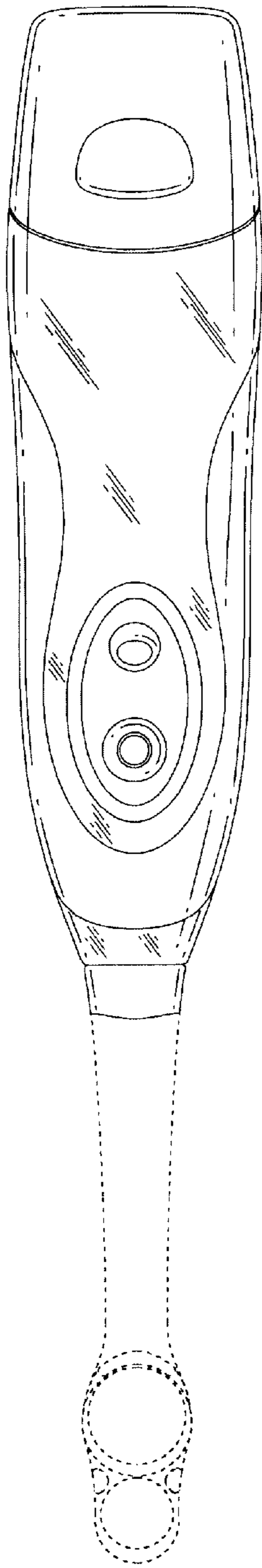


FIG. 2

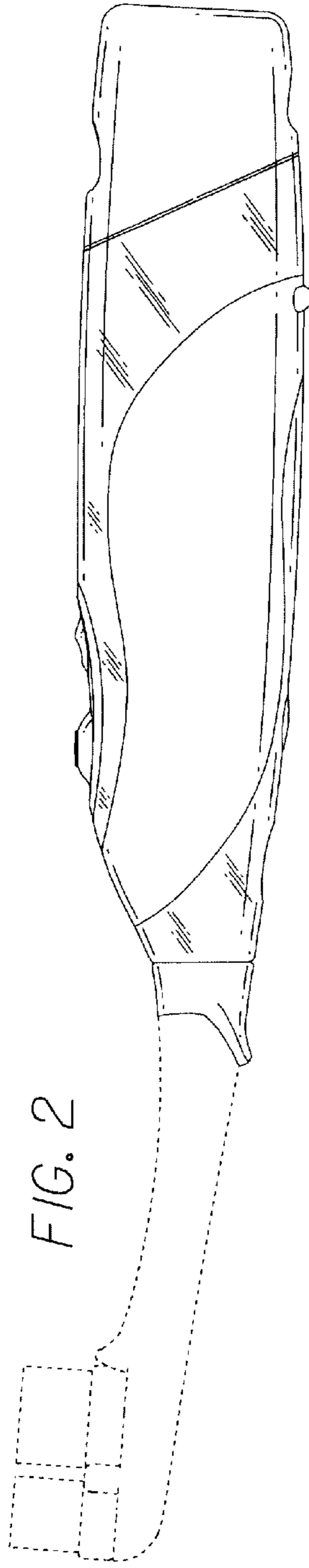


FIG. 3

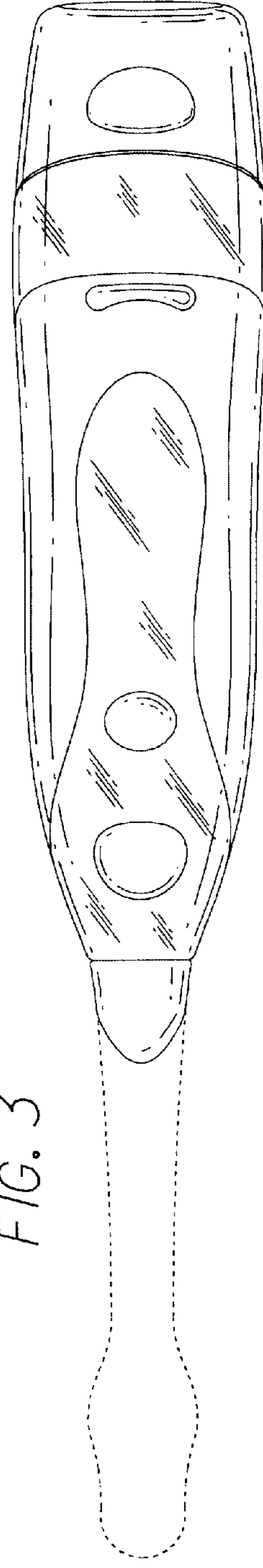


FIG. 5

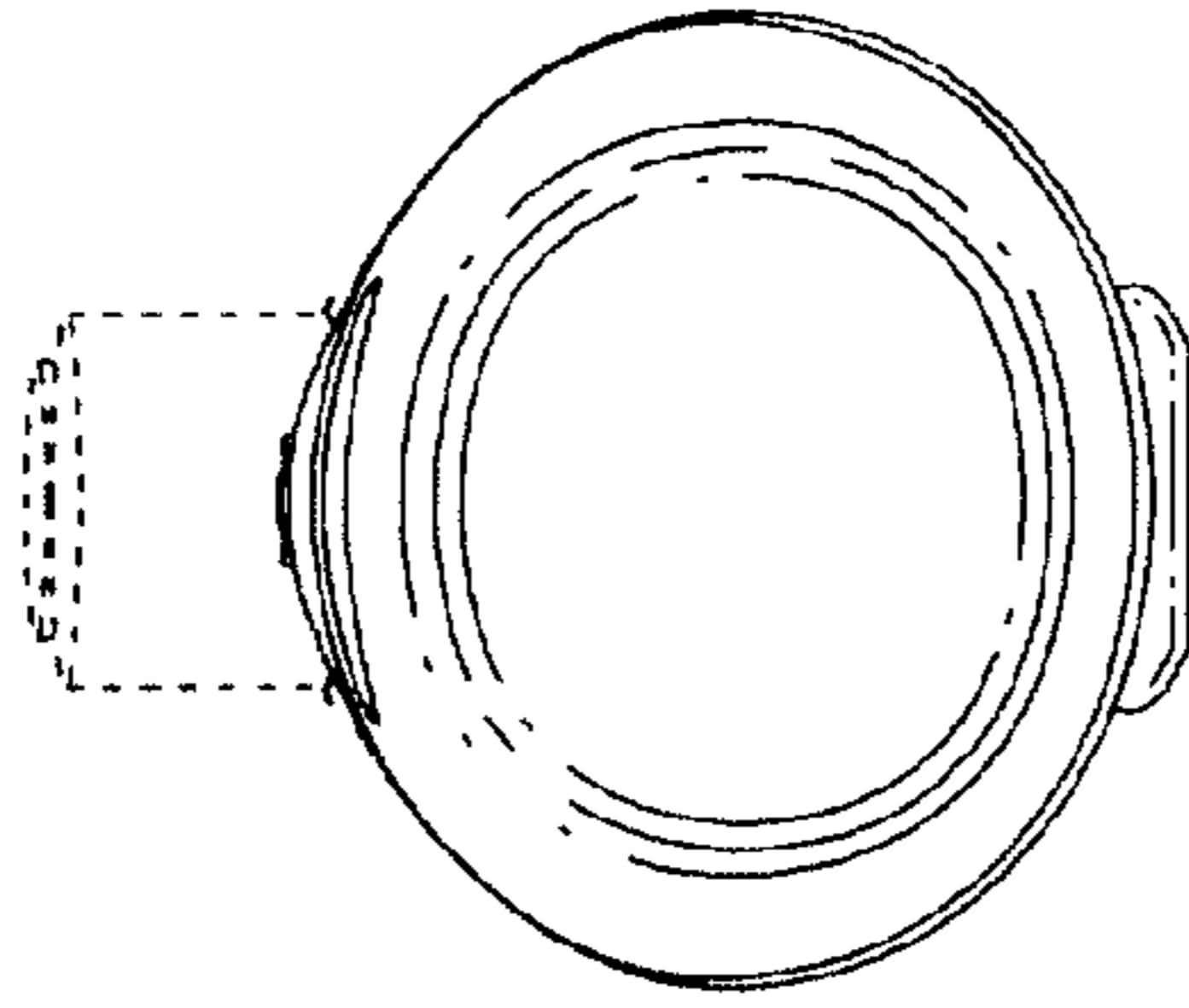
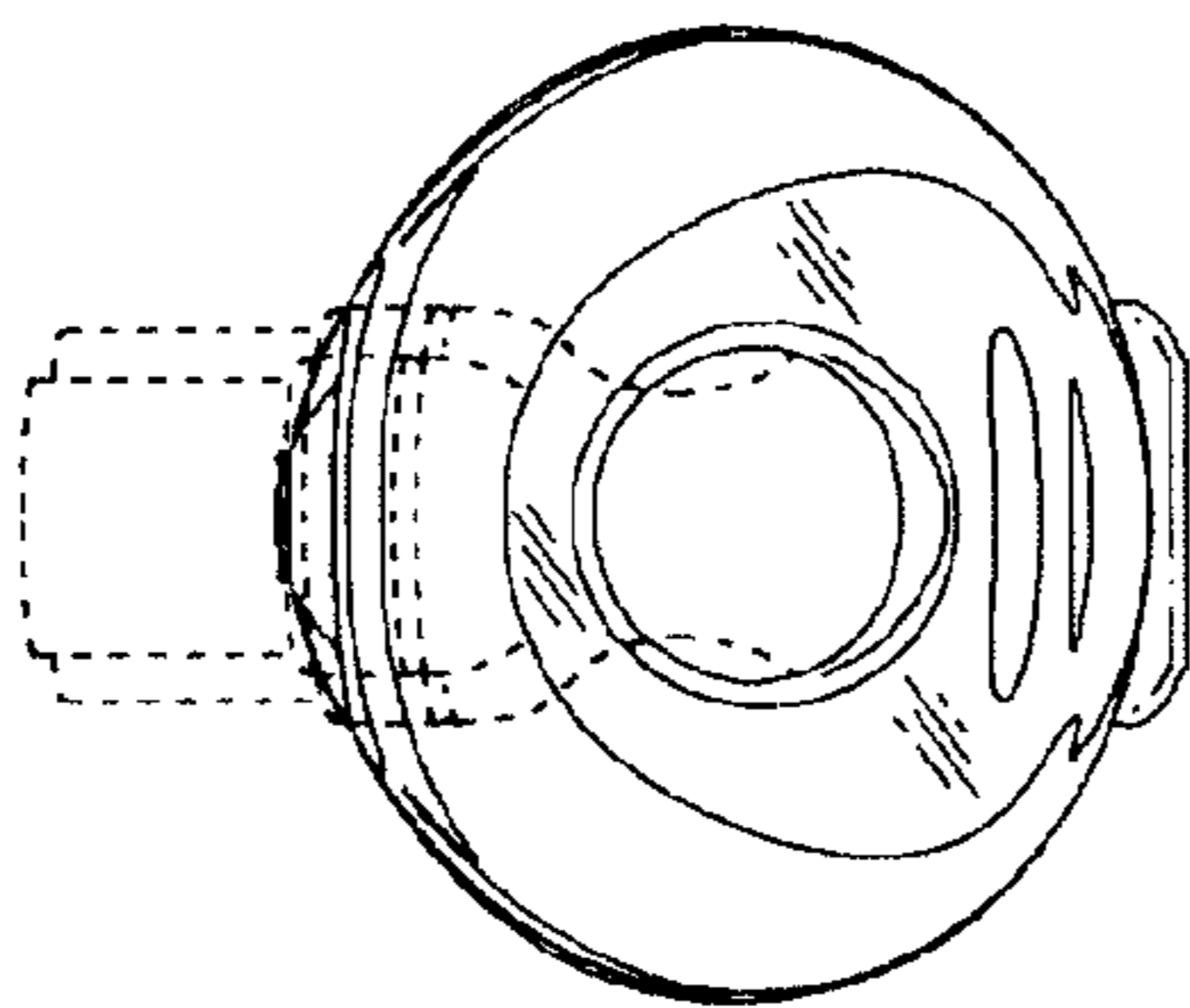


FIG. 4



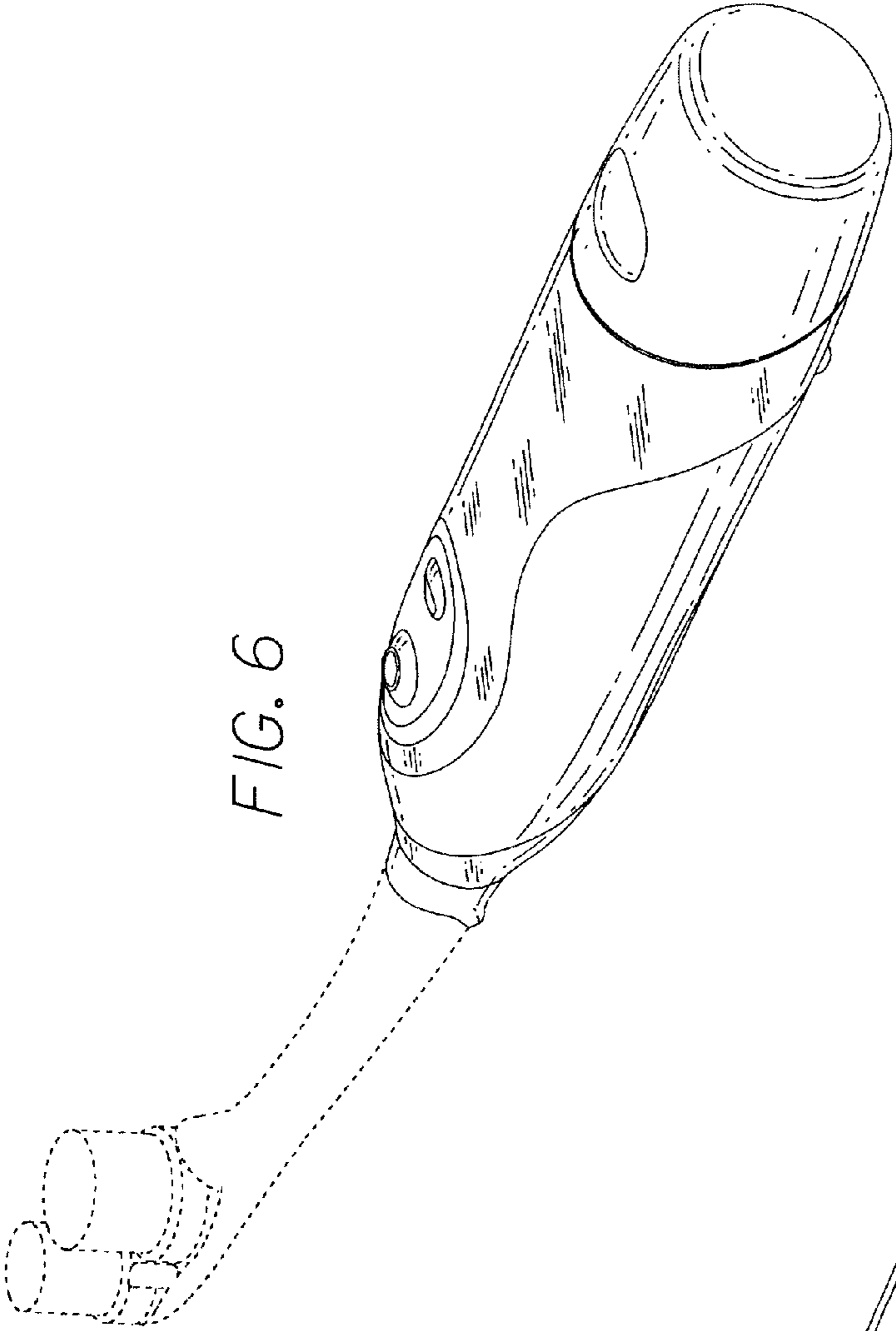


FIG. 6

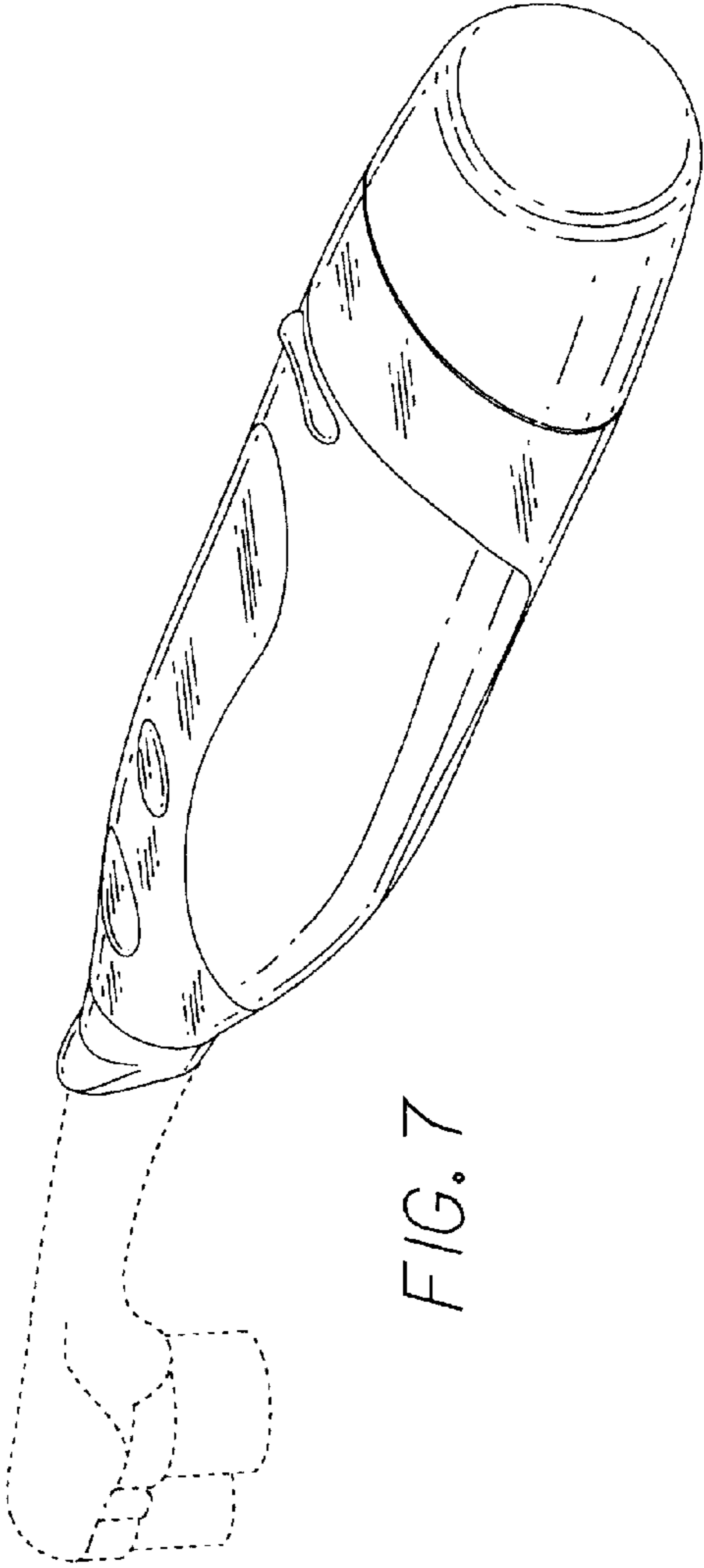


FIG. 7