



US00D515813S

(12) **United States Design Patent**  
**Roberson**

(10) **Patent No.:** **US D515,813 S**  
(45) **Date of Patent:** **\*\* Feb. 28, 2006**

(54) **REMOVABLE DRAWER-DIVIDER FOR SUITCASE**

(76) Inventor: **Marilyn J. Roberson**, 620 Beaman Ave., Oakley, KS (US) 67748-1330

(\*\*) Term: **14 Years**

(21) Appl. No.: **29/208,977**

(22) Filed: **Jul. 9, 2004**

(51) **LOC (8) Cl.** ..... **03-99**

(52) **U.S. Cl.** ..... **D3/319**

(58) **Field of Classification Search** ..... D3/318, D3/319, 323, 326, 328, 302, 312, 314, 273, D3/283, 284, 286, 304, 18-21, 23, 30.1, 74, D3/39, 903; D9/420-425, 430-432, 414, D9/433; 220/796-802, 805, 377, 354, 355, 220/361-362, 200; D19/76; D7/629, 601; 206/503-505, 515, 518, 520, 349, 372-373, 206/375; 190/1, 100, 115; 312/107, 350

See application file for complete search history.

(56) **References Cited**

**U.S. PATENT DOCUMENTS**

- 1,841,741 A 1/1932 Labadie
- 2,482,174 A \* 9/1949 Hake ..... 312/111
- D166,127 S \* 3/1952 Rothstein ..... D3/20
- D189,324 S \* 11/1960 Garth ..... D15/86
- D204,506 S \* 4/1966 Mellion ..... D3/297
- D212,661 S \* 11/1968 Gigiluto ..... D3/275
- 3,529,878 A \* 9/1970 Blowers ..... 312/107
- 3,653,734 A \* 4/1972 Ungaro ..... 312/107

- 3,912,055 A 10/1975 Malooly
- D239,750 S \* 5/1976 Sgombick ..... D6/446
- 3,974,898 A 8/1976 Tullis et al.
- 4,066,155 A 1/1978 Buchek
- 4,160,496 A 7/1979 Knight
- 4,231,626 A \* 11/1980 Amtmann et al. .... 312/350
- D275,626 S \* 9/1984 Moore ..... D7/708
- D333,567 S \* 3/1993 Dziewa ..... D6/436
- 5,628,398 A 5/1997 Jackson
- D379,631 S \* 6/1997 Odom ..... D15/86

\* cited by examiner

*Primary Examiner*—Sandra S. Snapp

(74) *Attorney, Agent, or Firm*—Donald R. Schoonover

(57) **CLAIM**

I claim the ornamental design for a removable drawer-divider for suitcase, as shown and described.

**DESCRIPTION**

FIG. 1 is a perspective view of a removable drawer-divider for suitcase showing my new design;

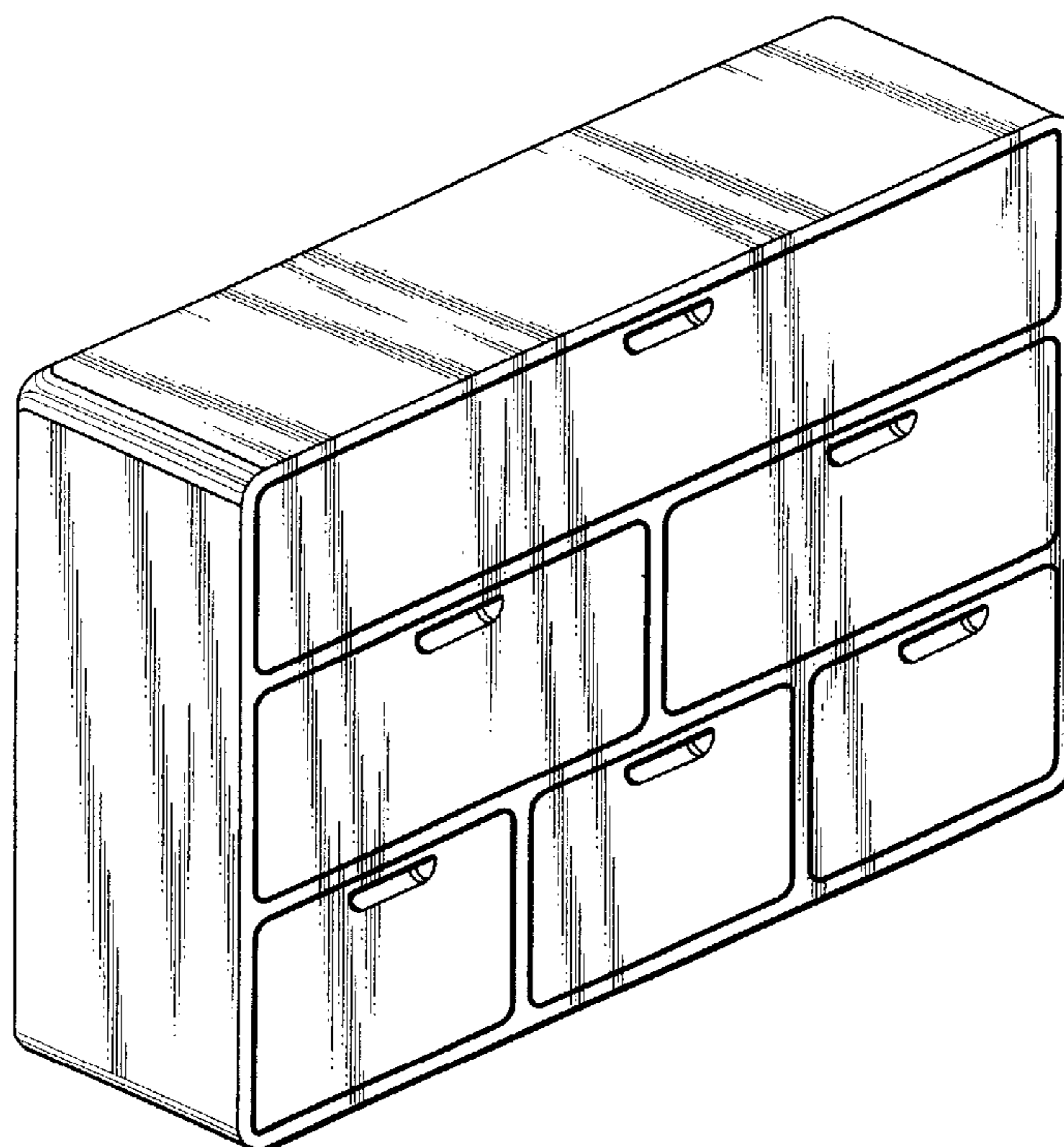
FIG. 2 is a top plan view thereof, the bottom plan view being a mirror image thereof;

FIG. 3 is a front elevational view thereof;

FIG. 4 is a left side elevational view thereof, the right side elevational view being a mirror image thereof; and,

FIG. 5 is a perspective view showing the removable drawer-divider for suitcase in use; the broken lines depict environmental structure for illustrative purposes only and form no part of the claimed design.

**1 Claim, 3 Drawing Sheets**



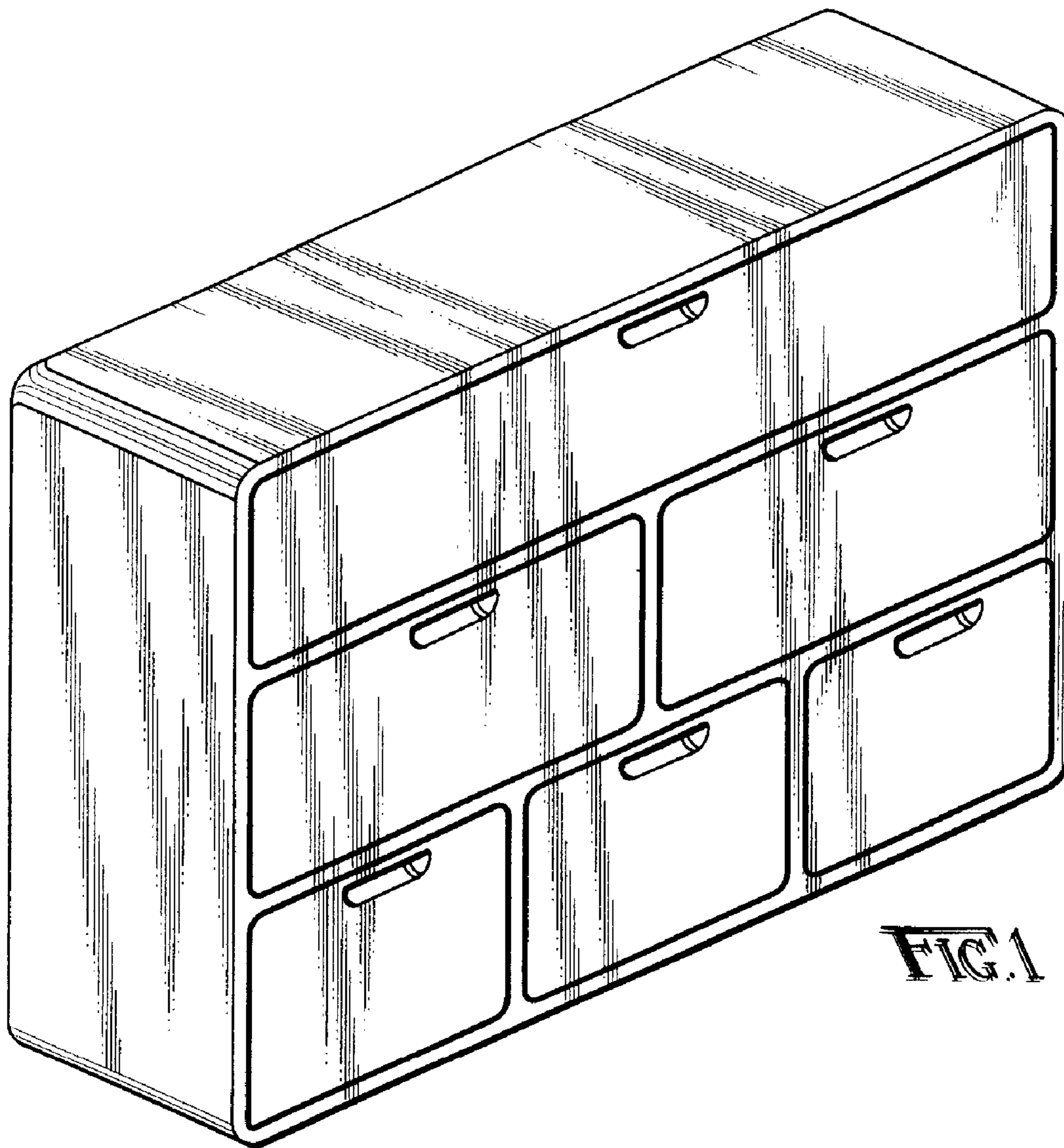


FIG. 1

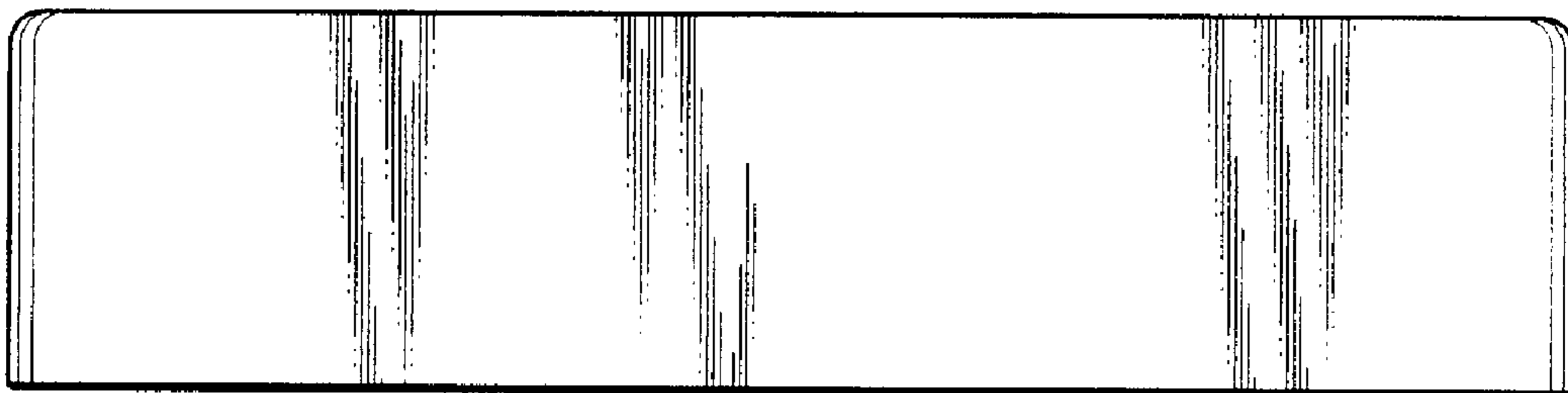


FIG. 2

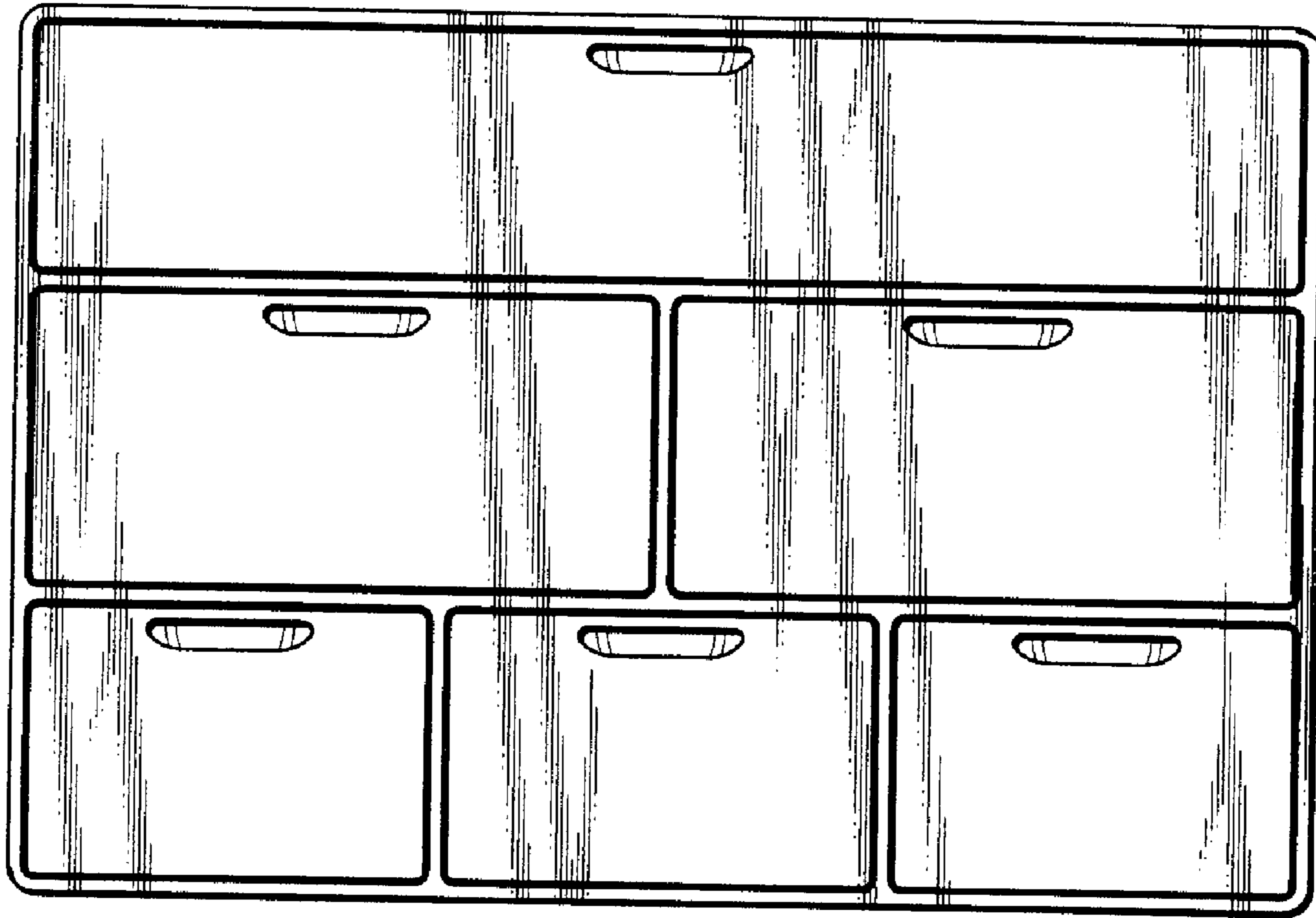


FIG. 3

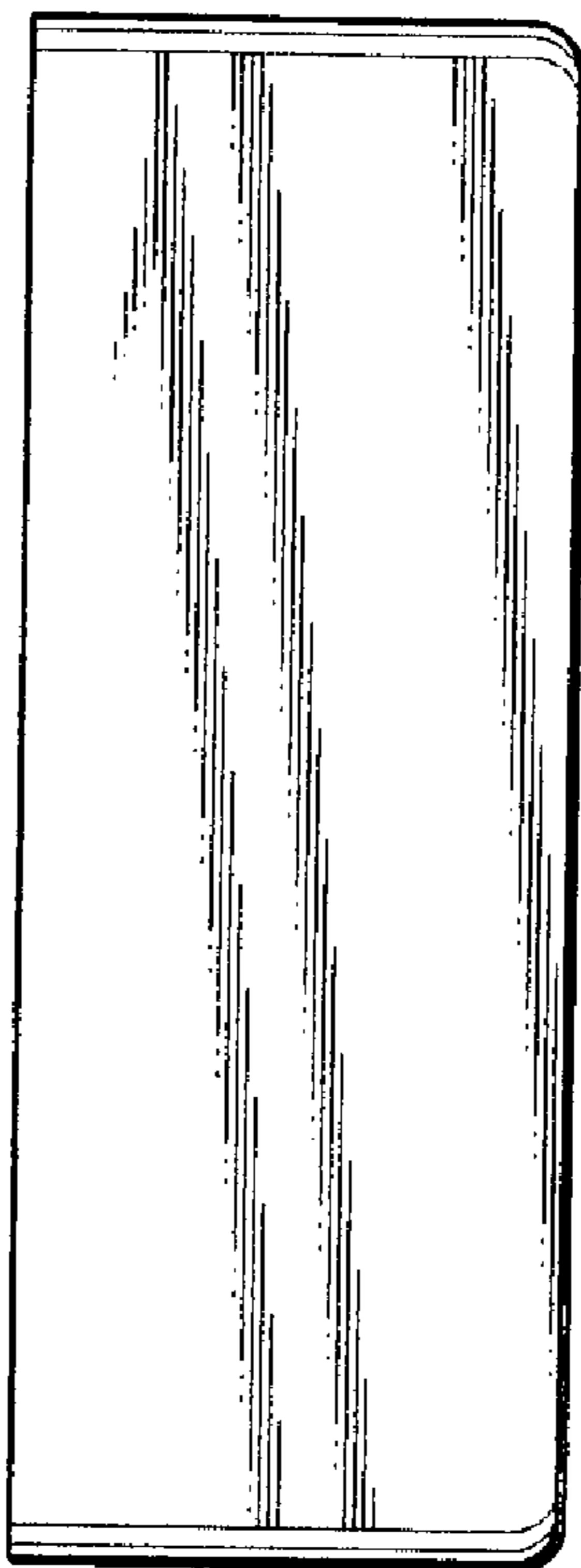


FIG. 4



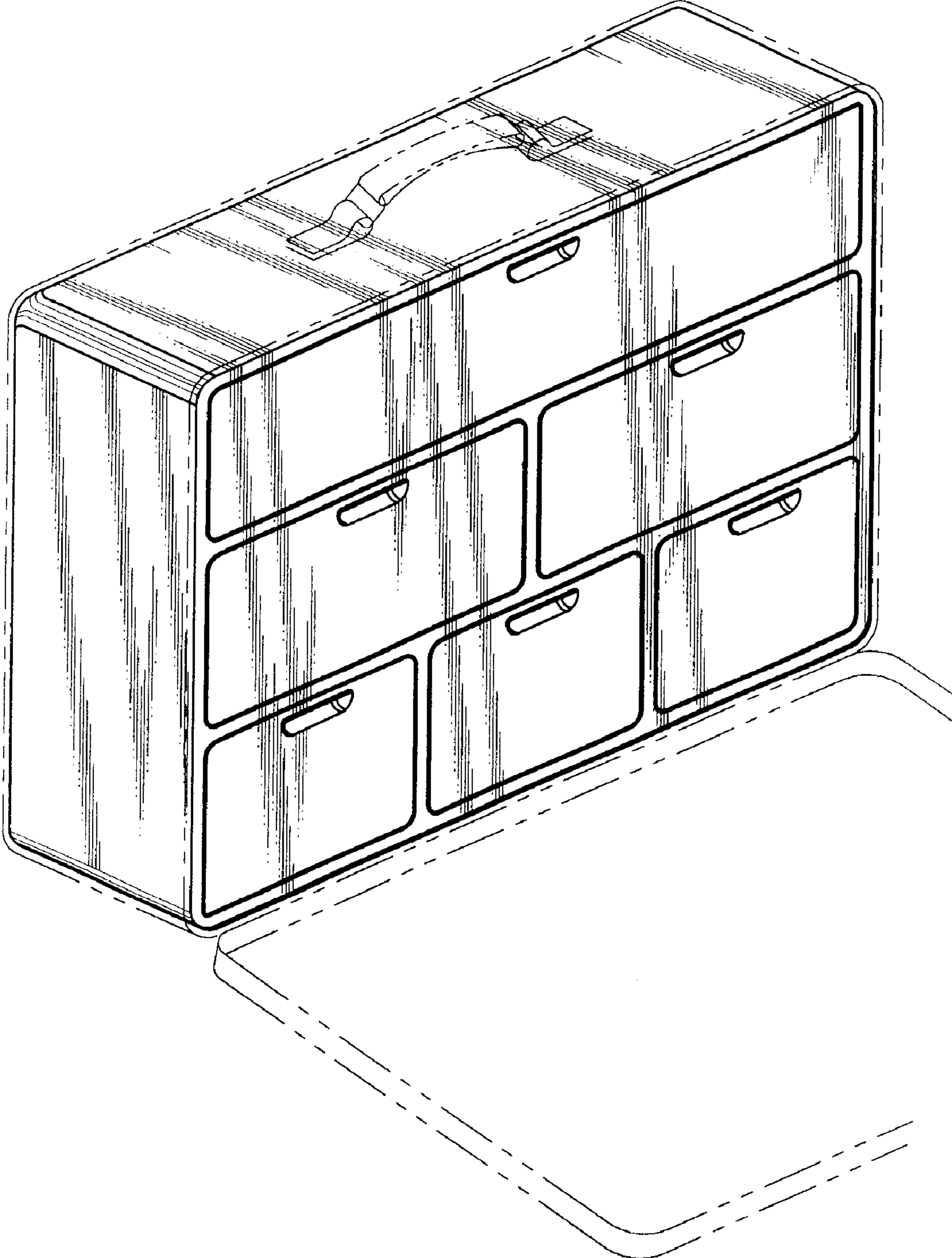


FIG. 5