



US00D515812S

(12) **United States Design Patent**  
**Giampavolo**

(10) **Patent No.:** **US D515,812 S**

(45) **Date of Patent:** **\*\* Feb. 28, 2006**

(54) **SHOPPING CART UTILITY BASKET**

(76) **Inventor:** **Paul Giampavolo**, 10 Kingbridge Rd.,  
Fairfield, NJ (US) 07004

(\*\*) **Term:** **14 Years**

(21) **Appl. No.:** **29/216,322**

(22) **Filed:** **Nov. 1, 2004**

**Related U.S. Application Data**

(62) Division of application No. 29/178,251, filed on Mar. 21,  
2003.

(51) **LOC (8) Cl.** ..... **03-01**

(52) **U.S. Cl.** ..... **D3/304**

(58) **Field of Classification Search** ..... D34/21;  
D3/312, 307, 304; 206/503, 505-506, 514  
See application file for complete search history.

(56) **References Cited**

**U.S. PATENT DOCUMENTS**

3,840,115 A \* 10/1974 Ladewig ..... 206/506  
4,018,338 A \* 4/1977 Lemkin ..... 206/505

D283,457 S \* 4/1986 Smith ..... D3/307  
D290,179 S \* 6/1987 Peltola ..... D3/309  
D326,550 S \* 5/1992 Waterman ..... D3/304  
D326,552 S \* 5/1992 Goodell ..... D3/312  
D382,999 S \* 9/1997 Rehrig ..... D3/314  
D471,713 S \* 3/2003 Speed ..... D3/307

\* cited by examiner

*Primary Examiner*—Holly H. Baynham

(74) *Attorney, Agent, or Firm*—Osterlenk, Faber, Gerb &  
Soffen, LLP

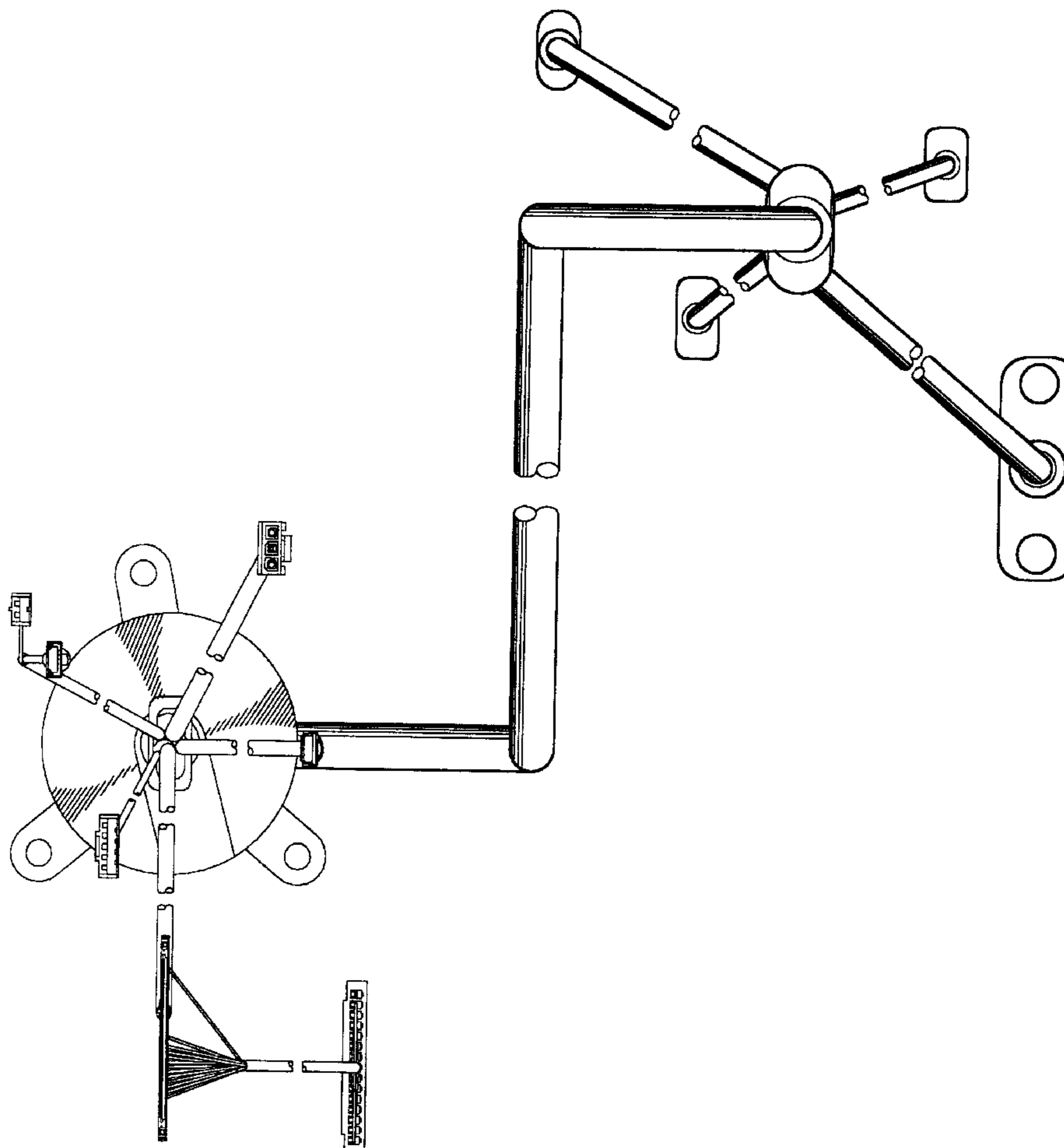
(57) **CLAIM**

The ornamental design for a shopping cart utility basket,  
substantially as shown and described.

**DESCRIPTION**

FIG. 1 is a top plan view of the shopping cart utility basket;  
FIG. 2 is a bottom view of the design in FIG. 1;  
FIG. 3 is a side view of the design in FIG. 1;  
FIG. 4 is an opposite side view to the design in FIG. 3; and,  
FIG. 5 is an end view of the design in FIG. 1, the opposite  
end being a mirror image.

**1 Claim, 5 Drawing Sheets**



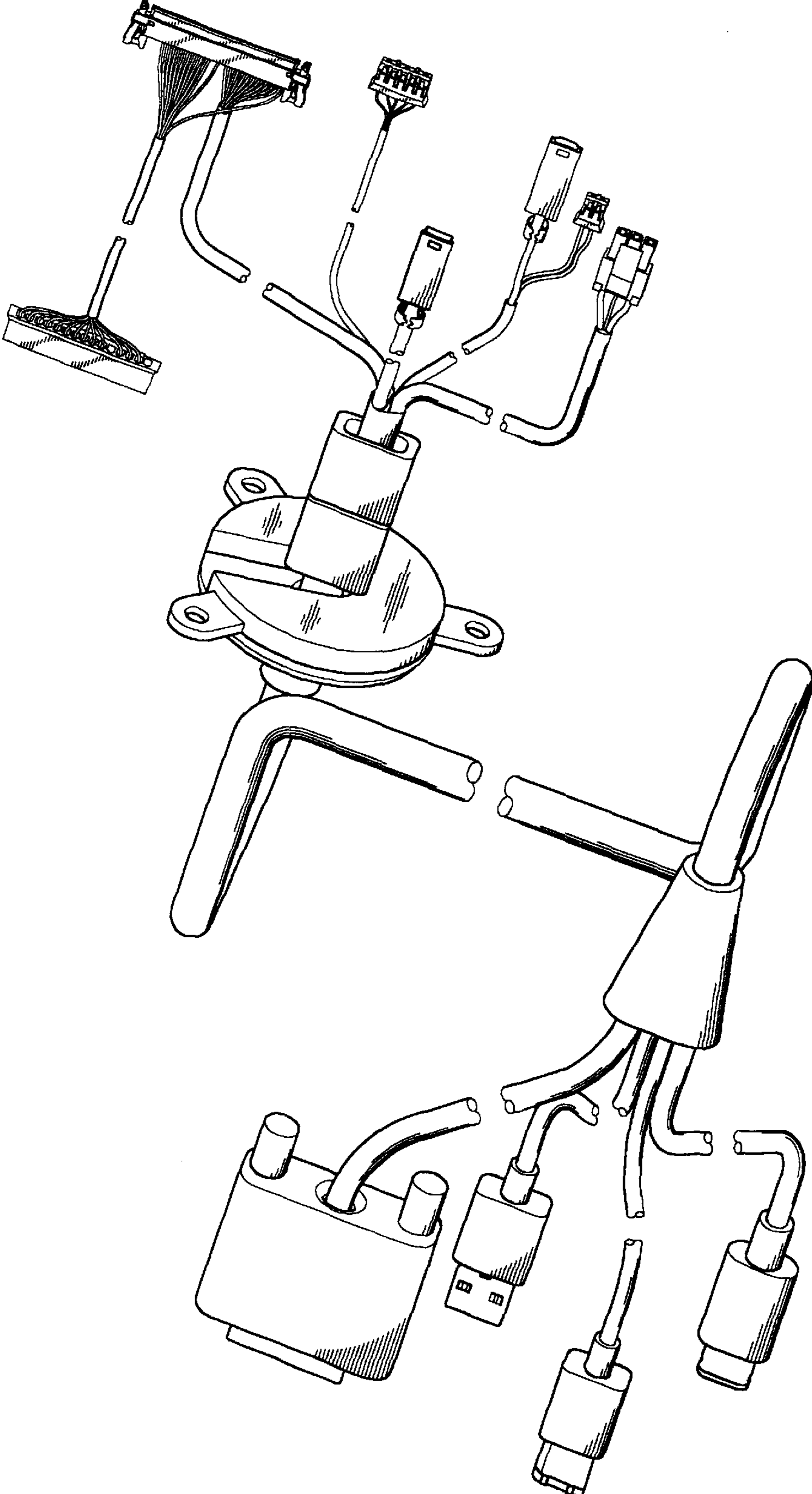


FIG.1

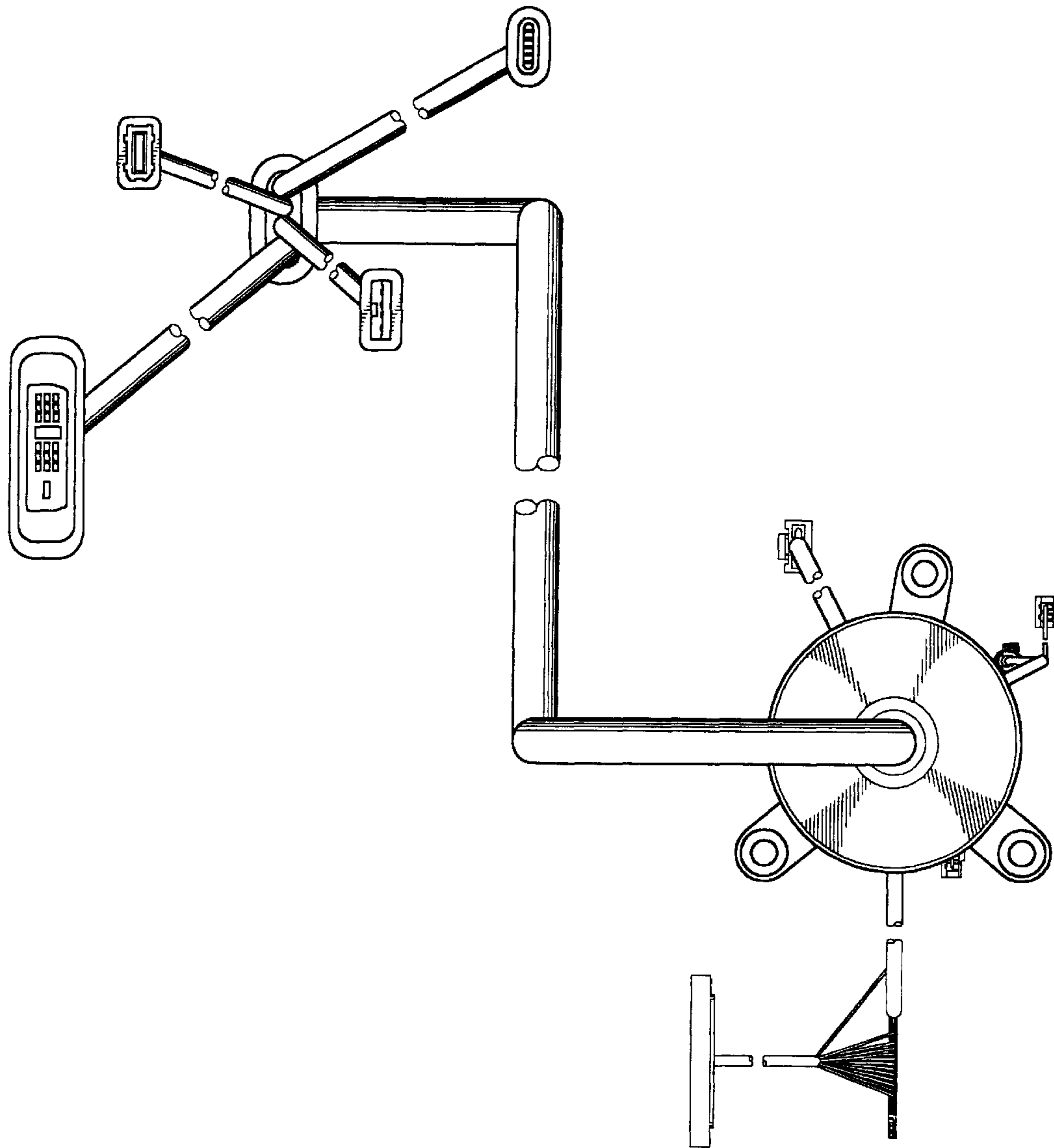


FIG.2

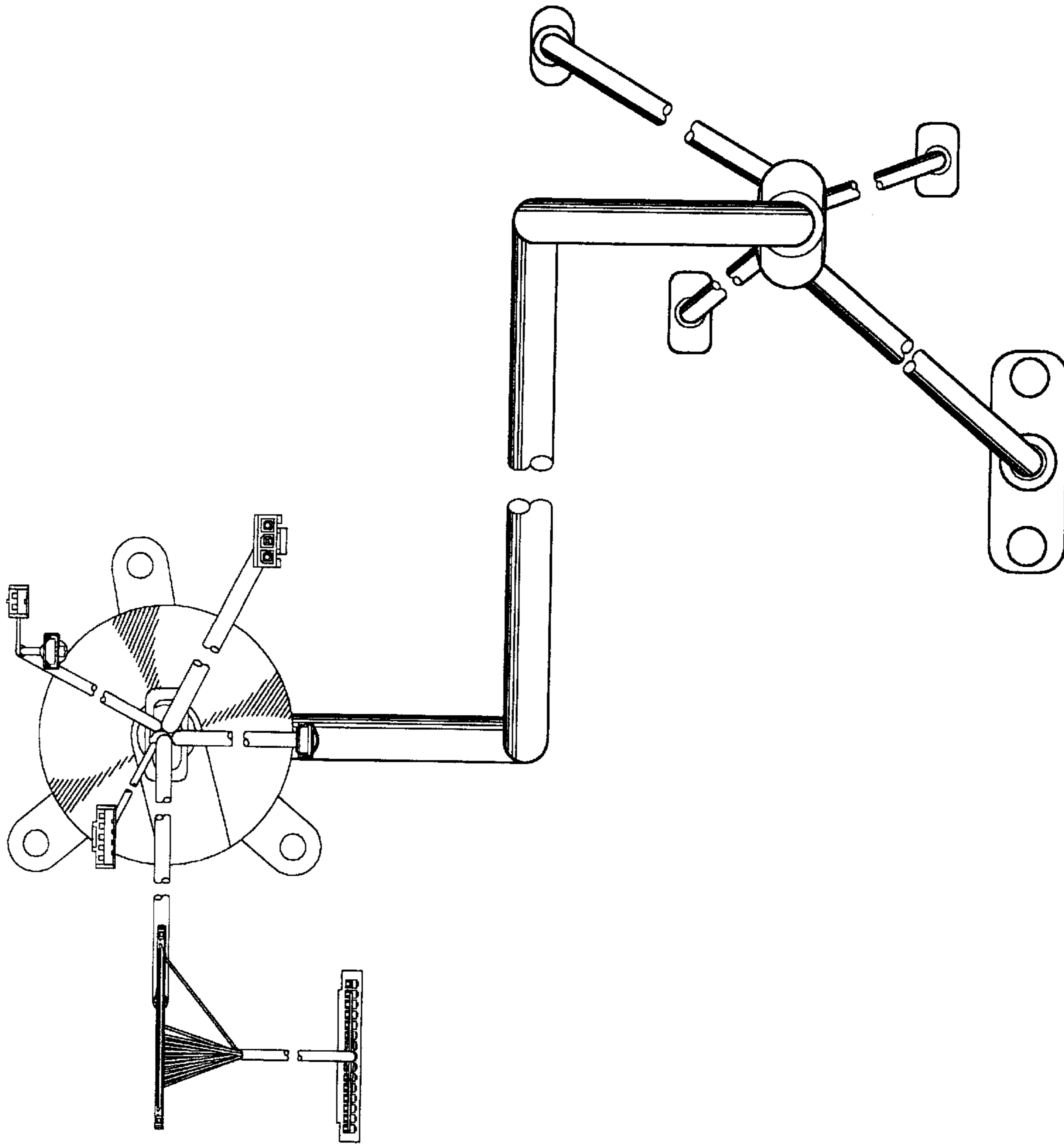


FIG.3

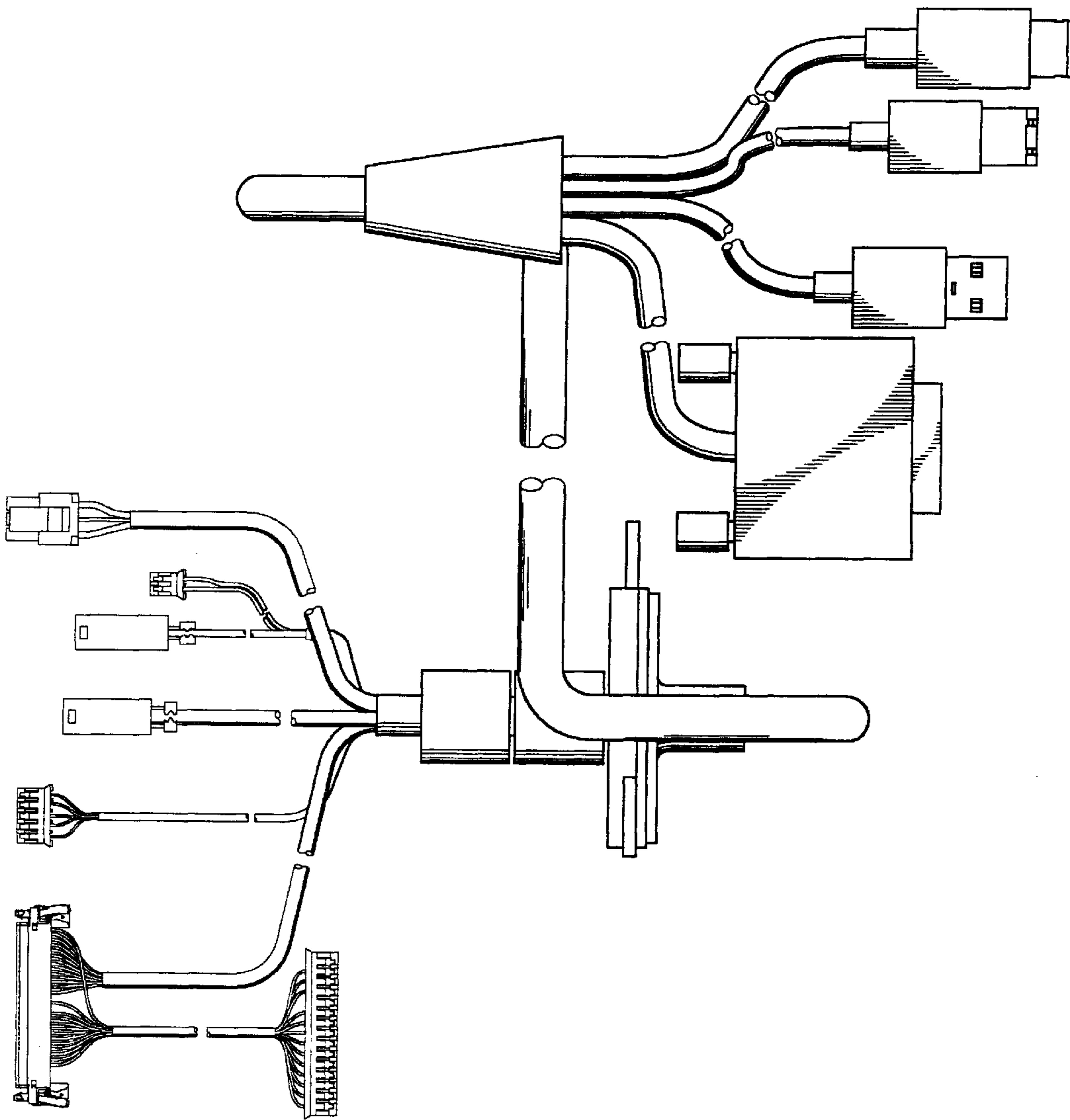


FIG.4

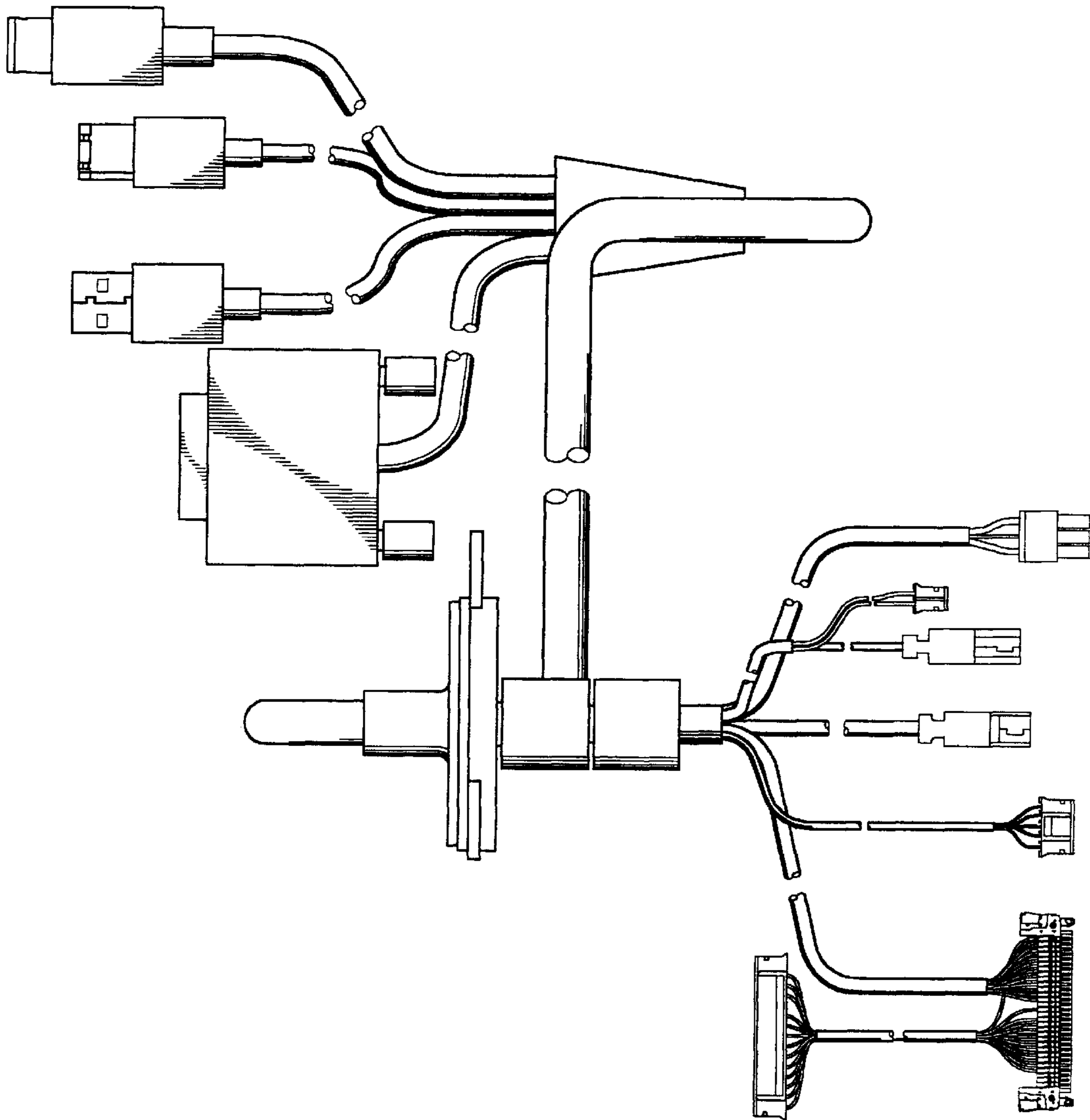


FIG.5

UNITED STATES PATENT AND TRADEMARK OFFICE  
**CERTIFICATE OF CORRECTION**

PATENT NO. : Des. 515,812 S  
APPLICATION NO. : 29/216322  
DATED : February 28, 2006  
INVENTOR(S) : Paul Giampavolo

Page 1 of 5

It is certified that error appears in the above-identified patent and that said Letters Patent is hereby corrected as shown below:

In the Drawings:

Sheets 1-5 consisting of Figs. 1-5 should be replaced with the correct Figs. 1-5 (3 sheets), as shown on the attached pages.

Title page

The Title page showing an illustrative figure should be deleted and substitute therefore the attached title page consisting of Fig. 3.

Signed and Sealed this

Twenty-sixth Day of December, 2006

A handwritten signature in black ink on a light gray dotted background. The signature reads "Jon W. Dudas" in a cursive style.

JON W. DUDAS

*Director of the United States Patent and Trademark Office*



(12) **United States Design Patent** (10) Patent No.: **US D515,812 S**  
**Giampavolo** (45) Date of Patent: **\*\* Feb. 28, 2006**

(54) **SHOPPING CART UTILITY BASKET** D283,457 S \* 4/1986 Smith ..... D3/307  
 D290,179 S \* 6/1987 Peltola ..... D3/309  
 (76) Inventor: **Paul Giampavolo, 10 Kingbridge Rd.,** D326,550 S \* 5/1992 Waterman ..... D3/304  
 Fairfield, NJ (US) 07004 D326,552 S \* 5/1992 Goodell ..... D3/312  
 (\*\*) Term: **14 Years** D382,999 S \* 9/1997 Rehrig ..... D3/314  
 D471,713 S \* 3/2003 Speed ..... D3/307

(21) Appl. No.: **29/216,322**  
 (22) Filed: **Nov. 1, 2004**

**Related U.S. Application Data**

(62) Division of application No. 29/178,251, filed on Mar. 21, 2003.  
 (51) **LOC (8) Cl.** ..... **03-01**  
 (52) **U.S. Cl.** ..... **D3/304**  
 (58) **Field of Classification Search** ..... **D34/21;**  
 D3/312, 307, 304; 206/503, 505-506, 514  
 See application file for complete search history.

(56) **References Cited**  
**U.S. PATENT DOCUMENTS**

3,840,115 A \* 10/1974 Ladewig ..... 206/506  
 4,938,338 A \* 4/1977 Lemkin ..... 206/505

\* cited by examiner

*Primary Examiner*—Holly H. Baynham  
 (74) *Attorney, Agent, or Firm*—Osterlenk, Faber, Gerb & Soffen, LLP

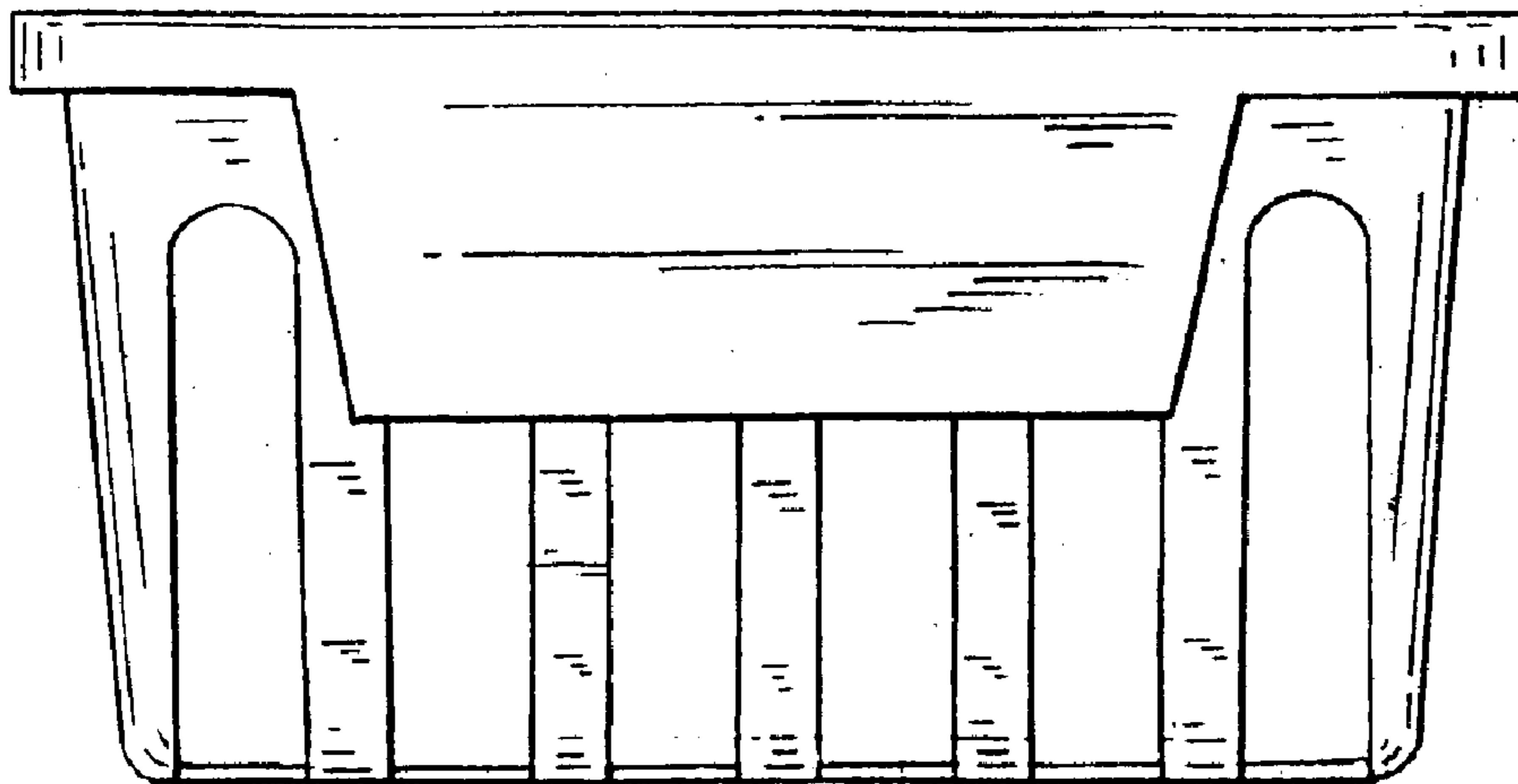
(57) **CLAIM**

The ornamental design for a shopping cart utility basket, substantially as shown and described.

**DESCRIPTION**

FIG. 1 is a top plan view of the shopping cart utility basket; FIG. 2 is a bottom view of the design in FIG. 1; FIG. 3 is a side view of the design in FIG. 1; FIG. 4 is an opposite side view to the design in FIG. 3; and, FIG. 5 is an end view of the design in FIG. 1, the opposite end being a mirror image.

1 Claim, 3 Drawing Sheets



**FIG. 3**



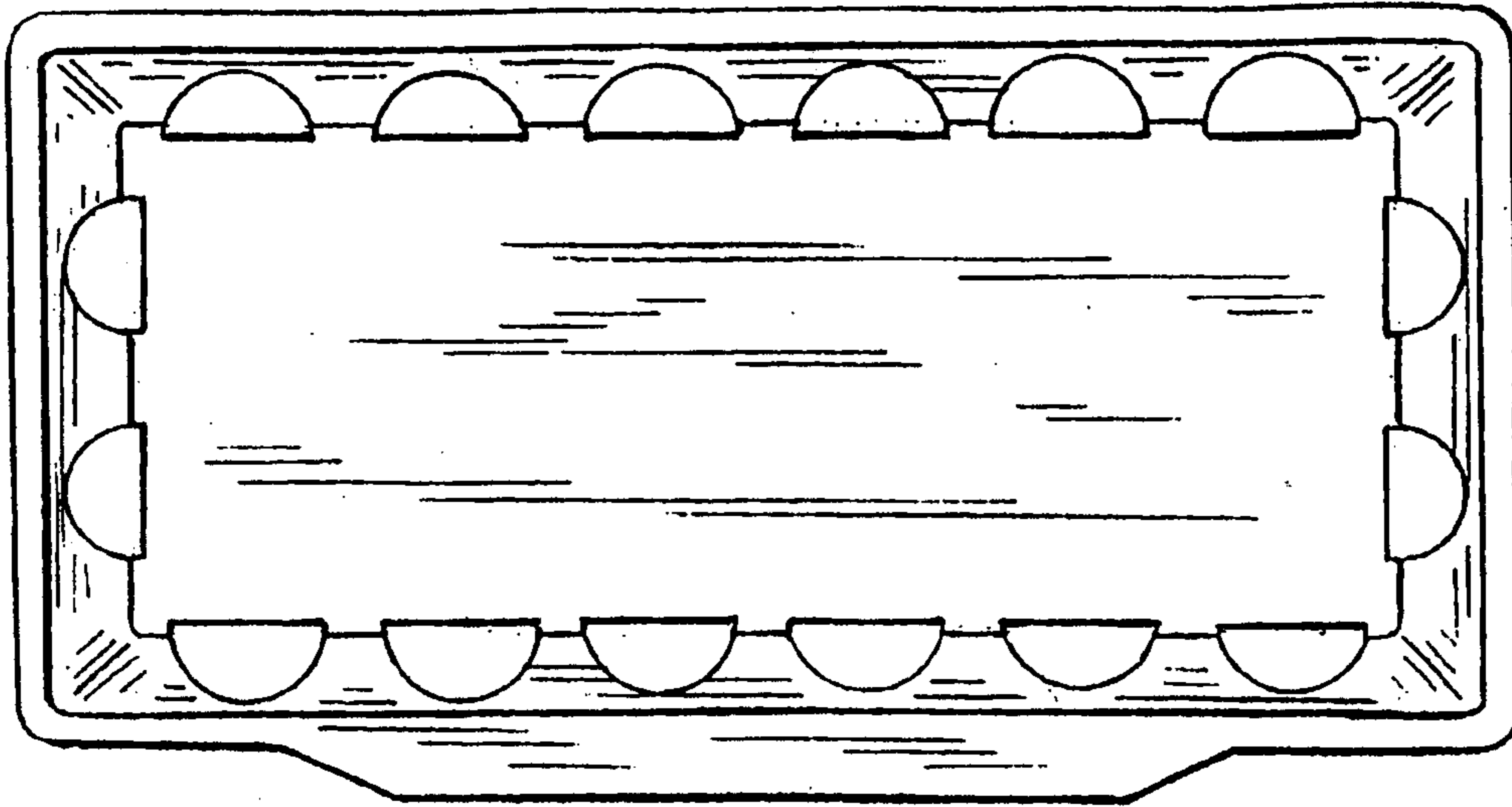


FIG. 1

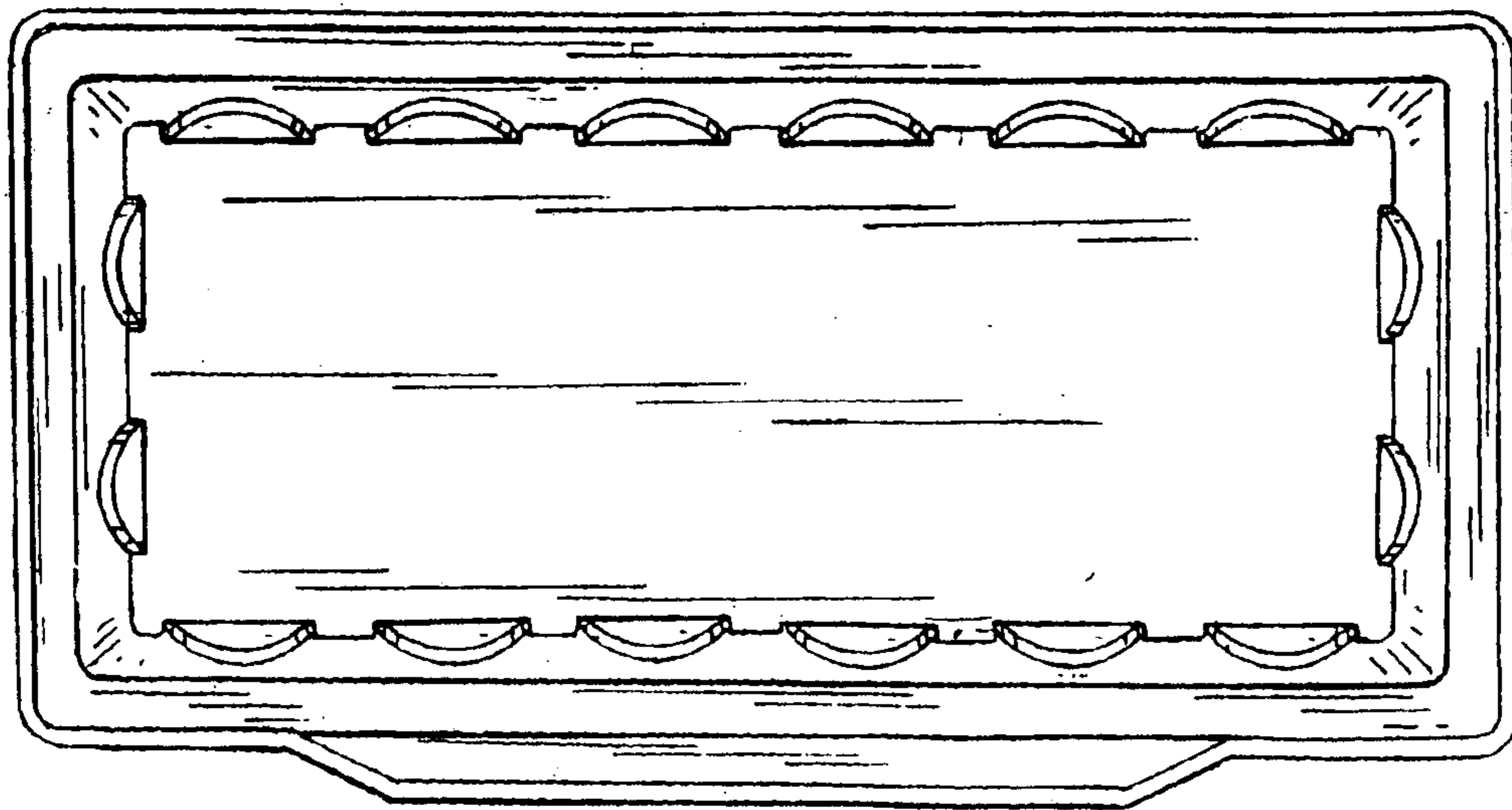


FIG. 2

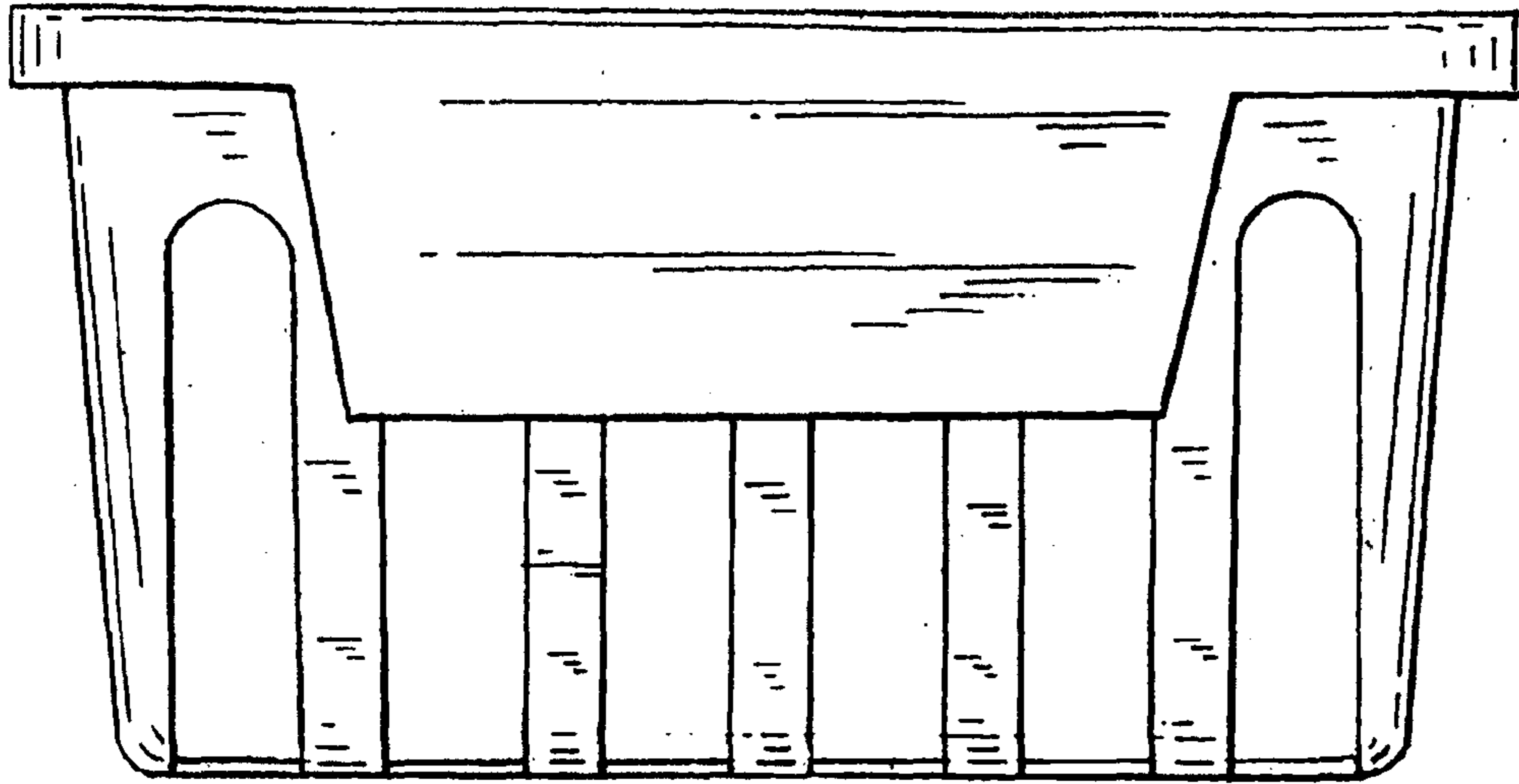


FIG. 3

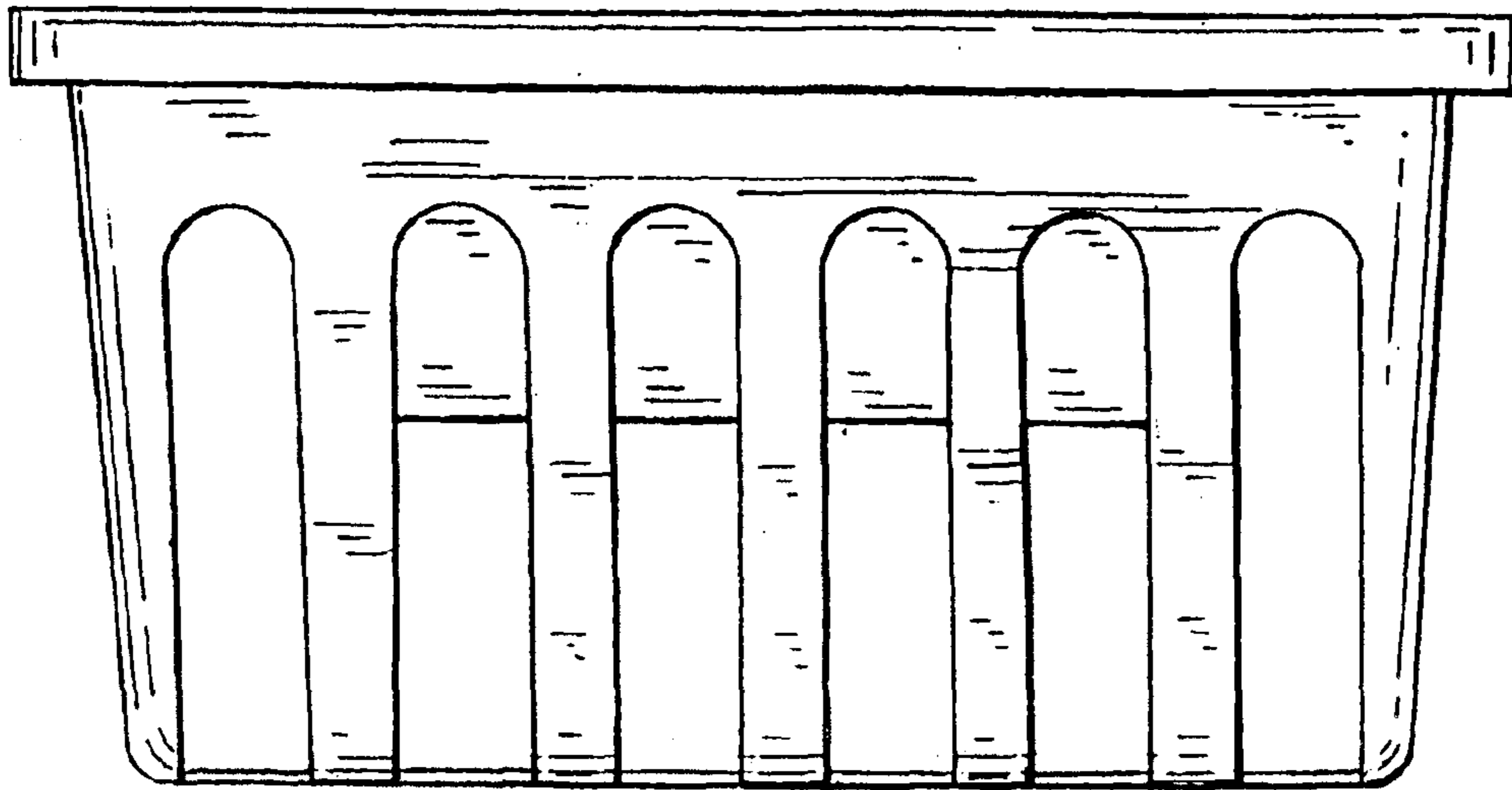


FIG. 4

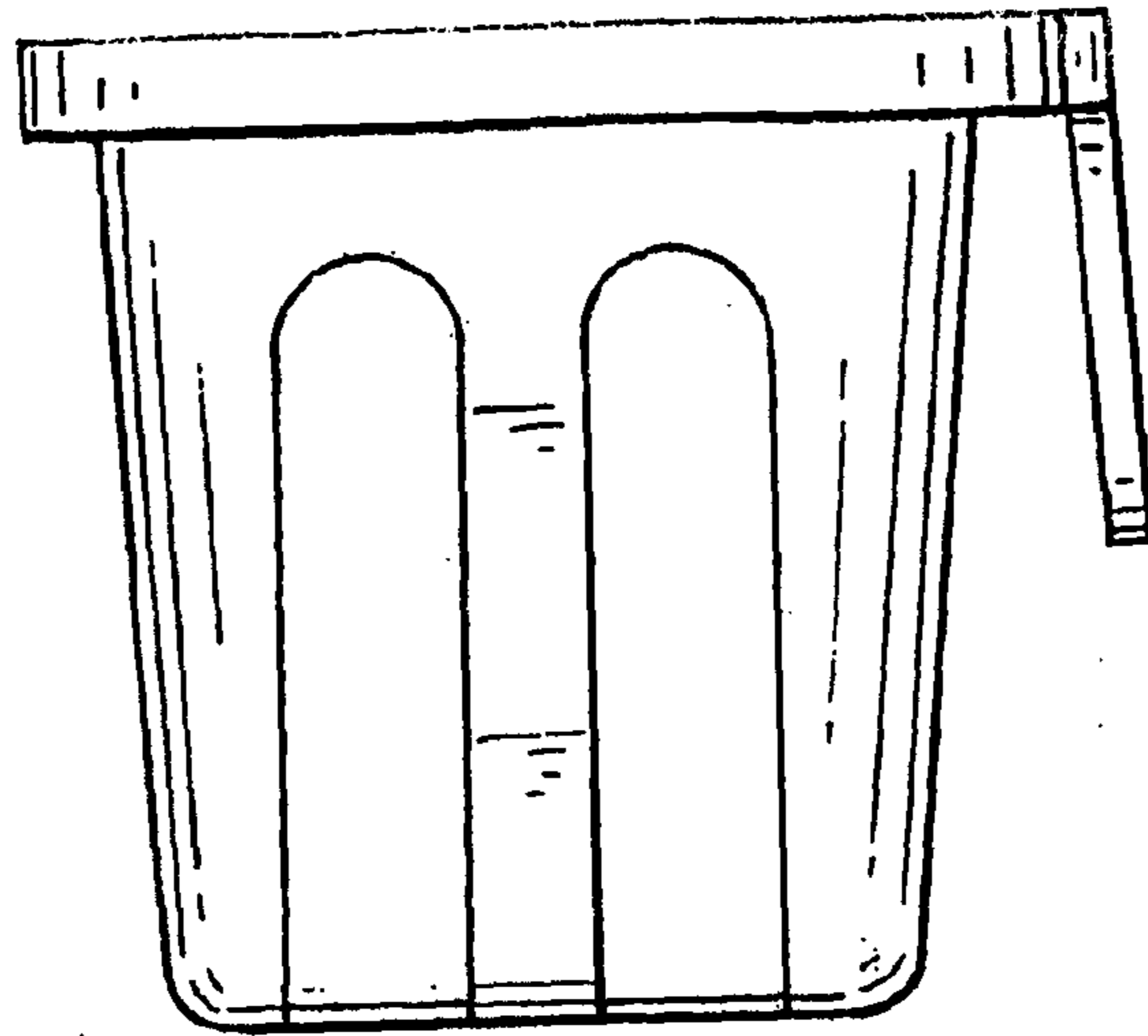


FIG. 5