



US00D515811S

(12) **United States Design Patent**
Liu

(10) **Patent No.: US D515,811 S**

(45) **Date of Patent: ** Feb. 28, 2006**

(54) **TOOLBOX**

(76) **Inventor: Yung-Yuan Liu**, No. 9, Lane 1397,
Guangsing Road, Taiping City, Taichung
County (TW)

(**) **Term: 14 Years**

(21) **Appl. No.: 29/210,730**

(22) **Filed: Aug. 6, 2004**

(51) **LOC (8) Cl. 03-01**

(52) **U.S. Cl. D3/295; D3/905; D9/415**

(58) **Field of Classification Search** D3/273,
D3/281-282, 284, 294-295, 905; D9/415;
206/349, 372-373, 378, 806

See application file for complete search history.

(56) **References Cited**

U.S. PATENT DOCUMENTS

4,570,818	A	*	2/1986	Borst et al.	220/835
D287,467	S	*	12/1986	Mallon	D9/415
5,133,455	A	*	7/1992	Chow	206/374
D393,799	S	*	4/1998	Pope et al.	D9/415
D398,842	S	*	9/1998	Rohrig	D9/415
D413,260	S	*	8/1999	Vasudeva	D9/415
D433,627	S	*	11/2000	Vasudeva	D9/415

D446,651	S	*	8/2001	Liao	D3/284
D446,713	S	*	8/2001	Adam	D9/415
D470,046	S	*	2/2003	Chao	D9/415
D472,389	S	*	4/2003	Vasudeva	D3/315
2005/0023167	A1	*	2/2005	Yang	206/373

* cited by examiner

Primary Examiner—Philip S. Hyder

Assistant Examiner—RoseLynne Ulm

(74) *Attorney, Agent, or Firm*—Troxell Law Office, PLLC

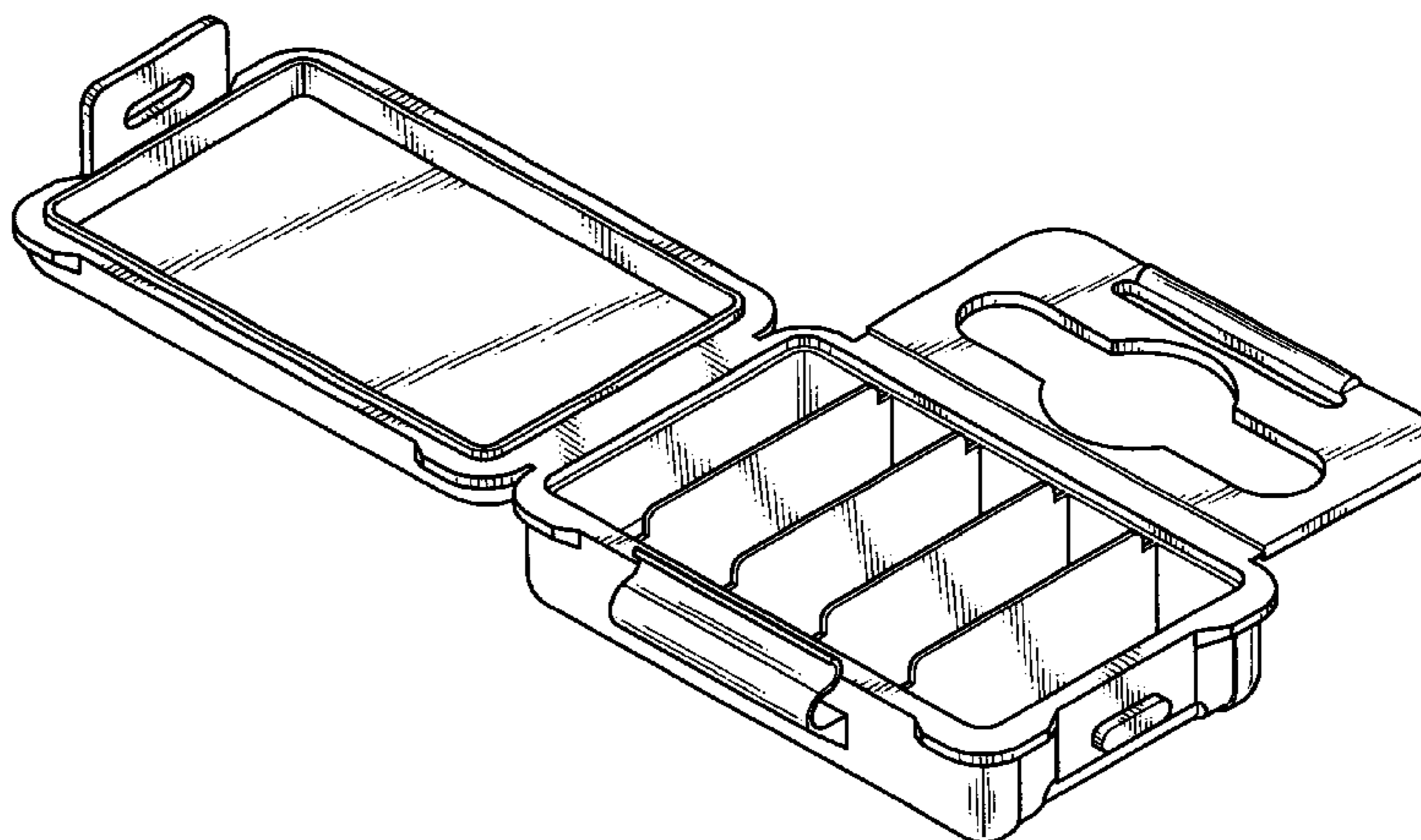
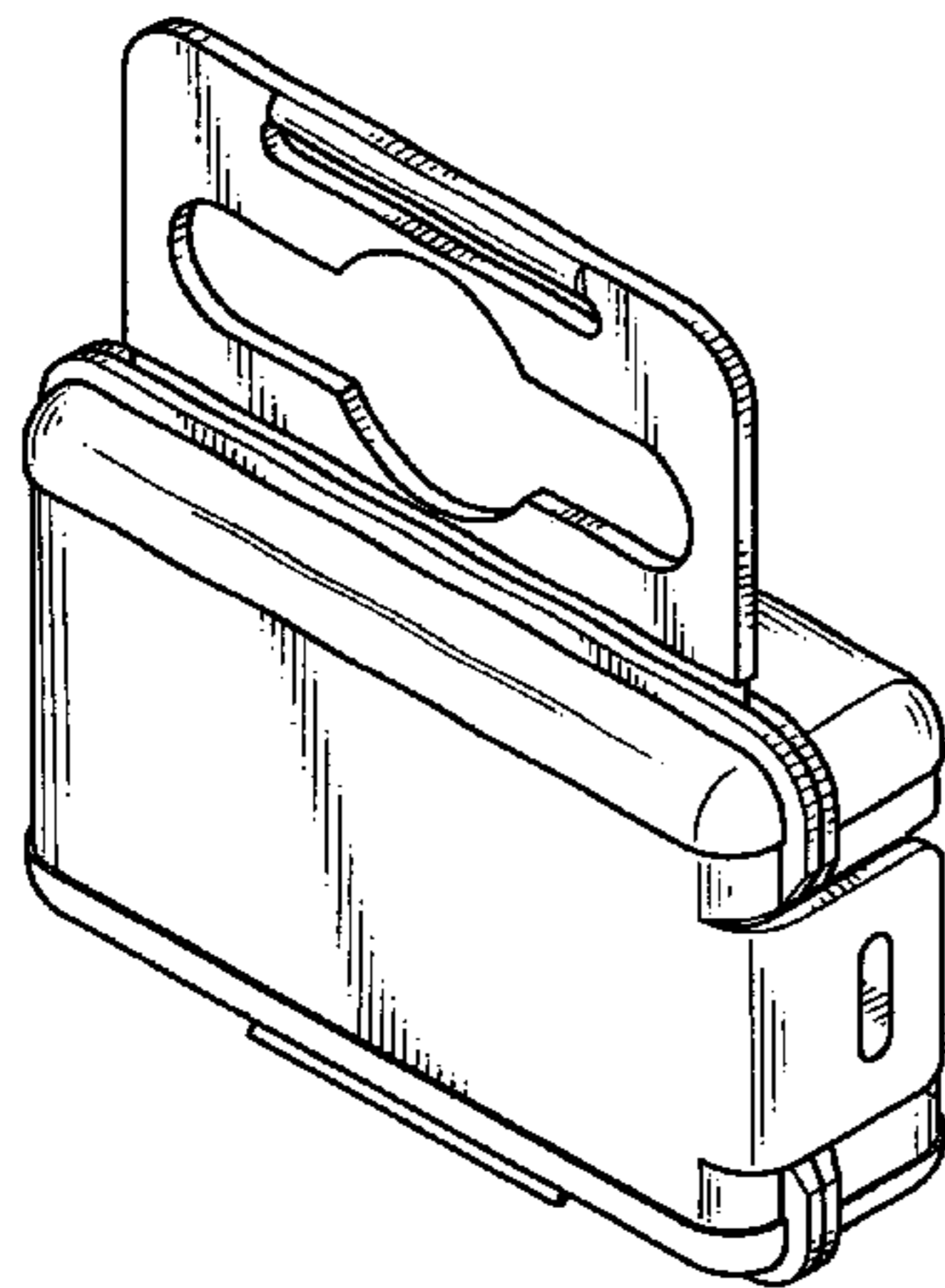
(57) **CLAIM**

The ornamental design for a toolbox, as shown and described.

DESCRIPTION

FIG. 1 is a perspective view of toolbox showing my design;
FIG. 2 is a front elevation view thereof;
FIG. 3 is a rear elevation view thereof;
FIG. 4 is a left side elevation view thereof;
FIG. 5 is a right side elevation view thereof;
FIG. 6 is a top plan view thereof;
FIG. 7 is a bottom plan view thereof; and,
FIG. 8 is a perspective view of my design in an open position.

1 Claim, 4 Drawing Sheets



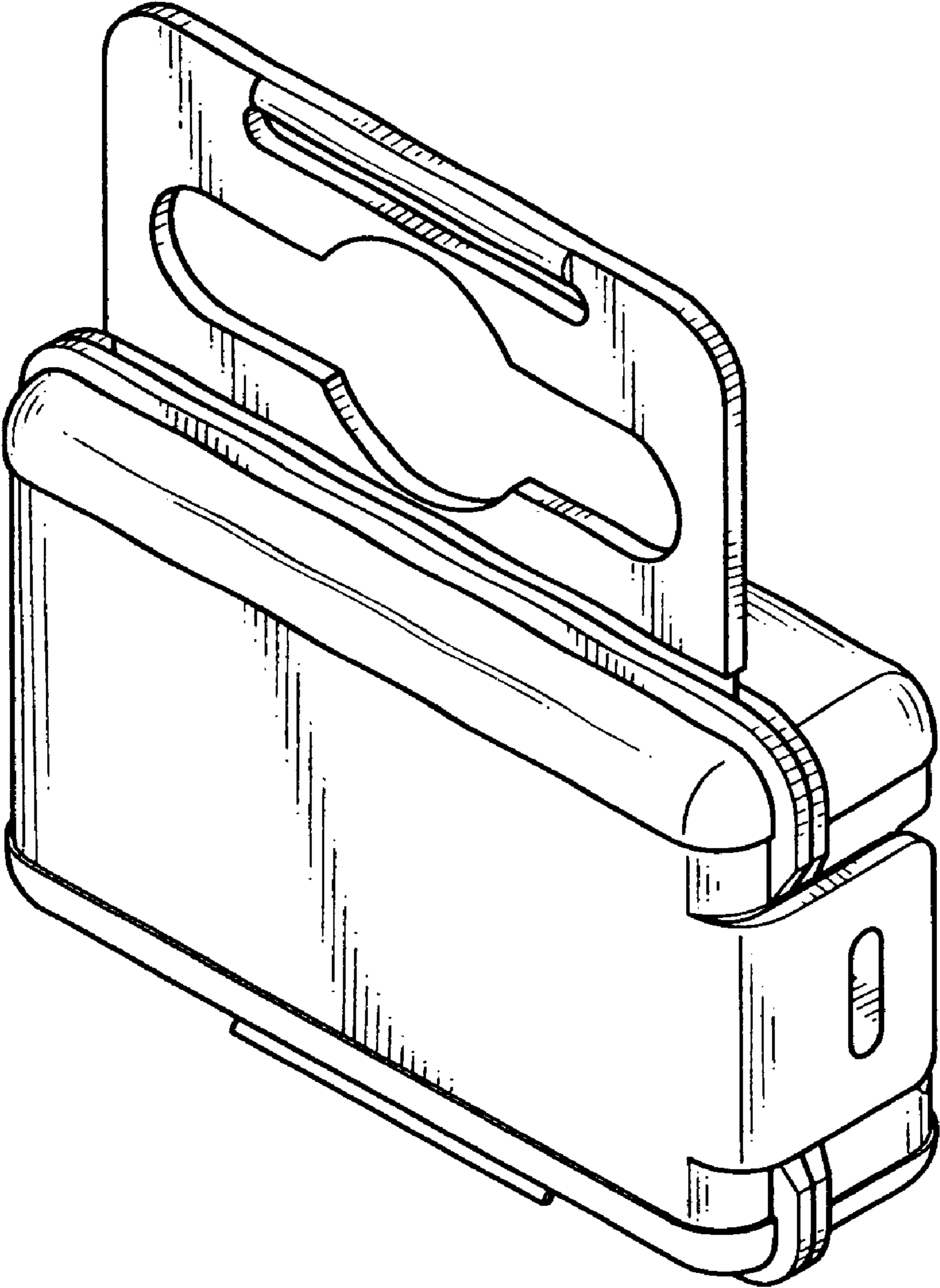


FIG. 1

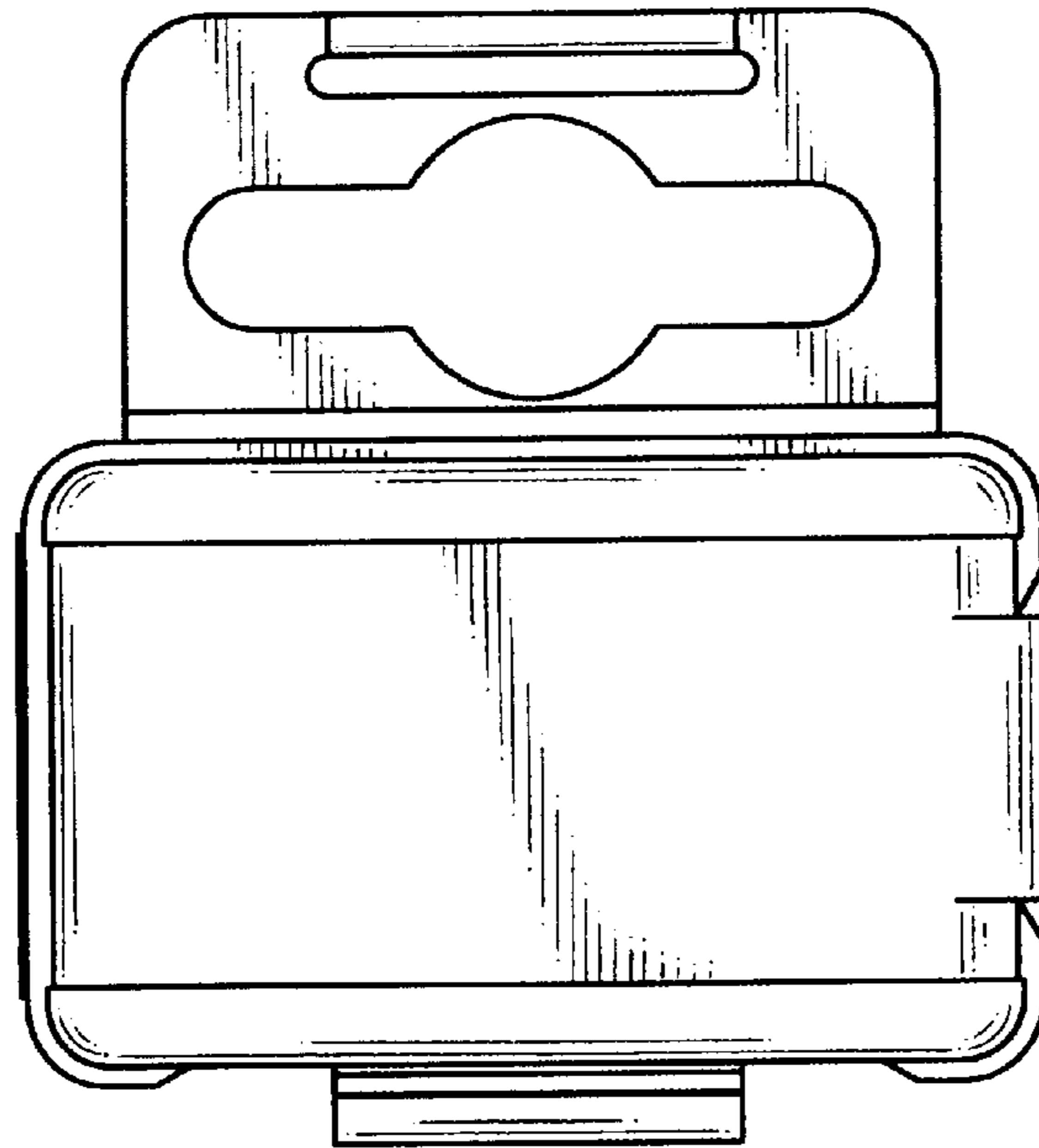


FIG. 2

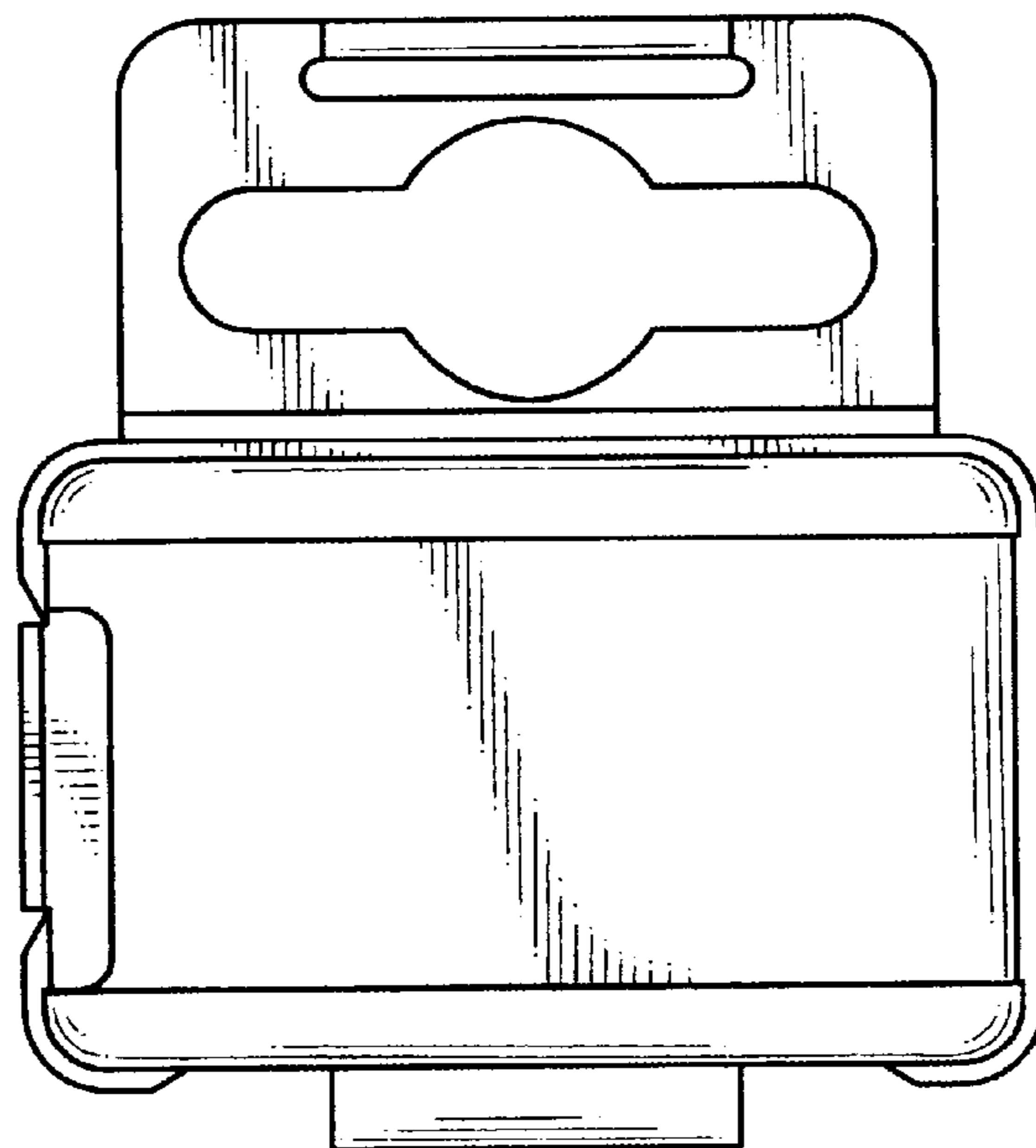


FIG. 3

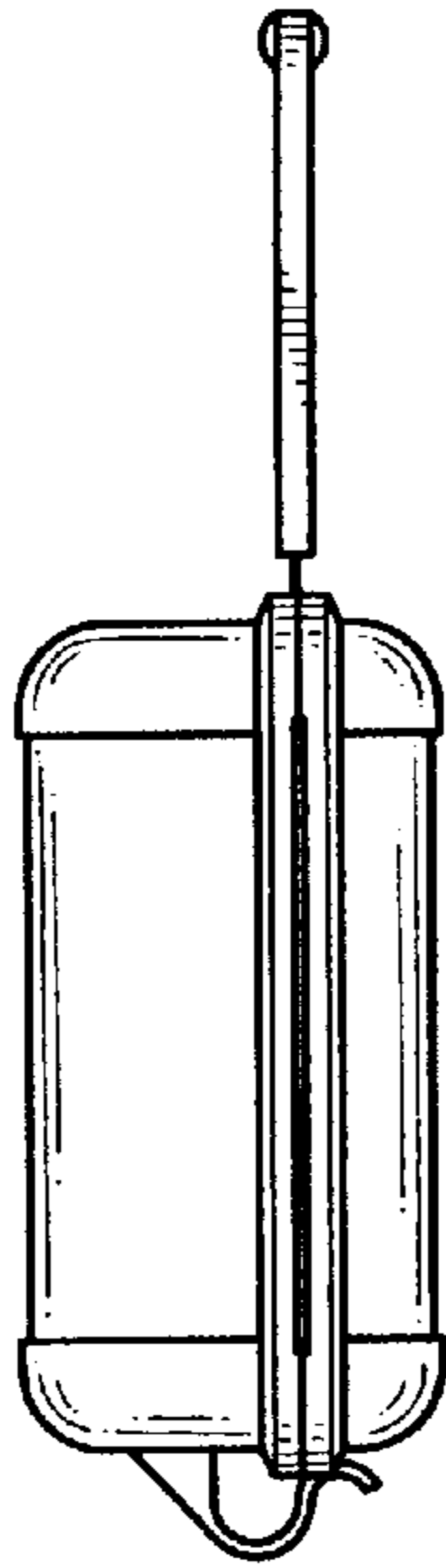


FIG. 4

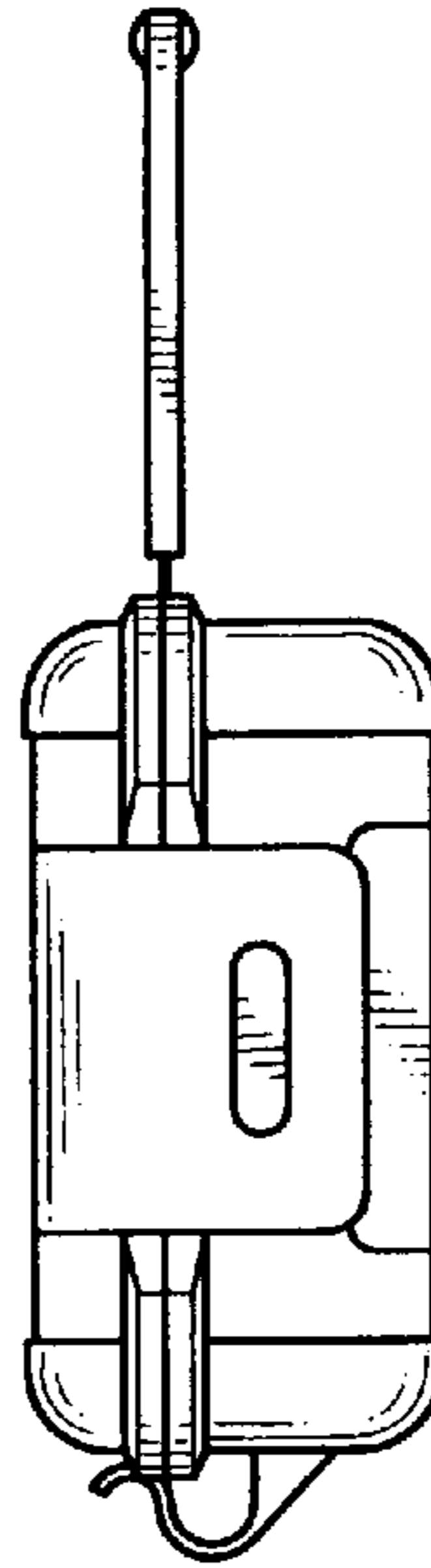


FIG. 5

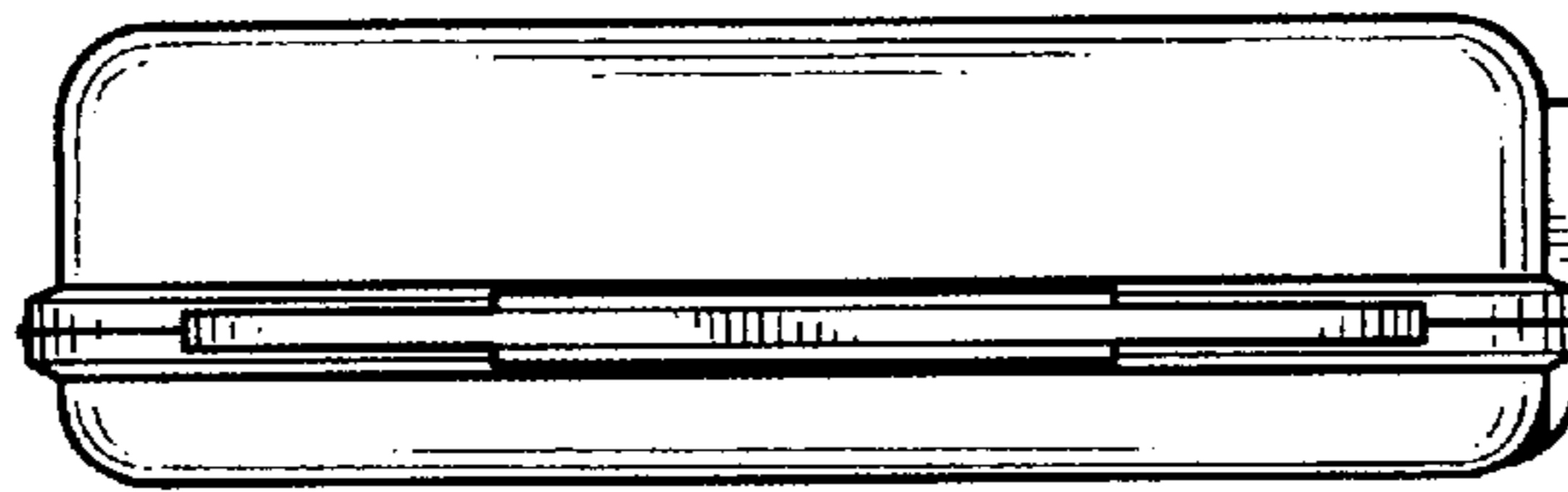


FIG. 6

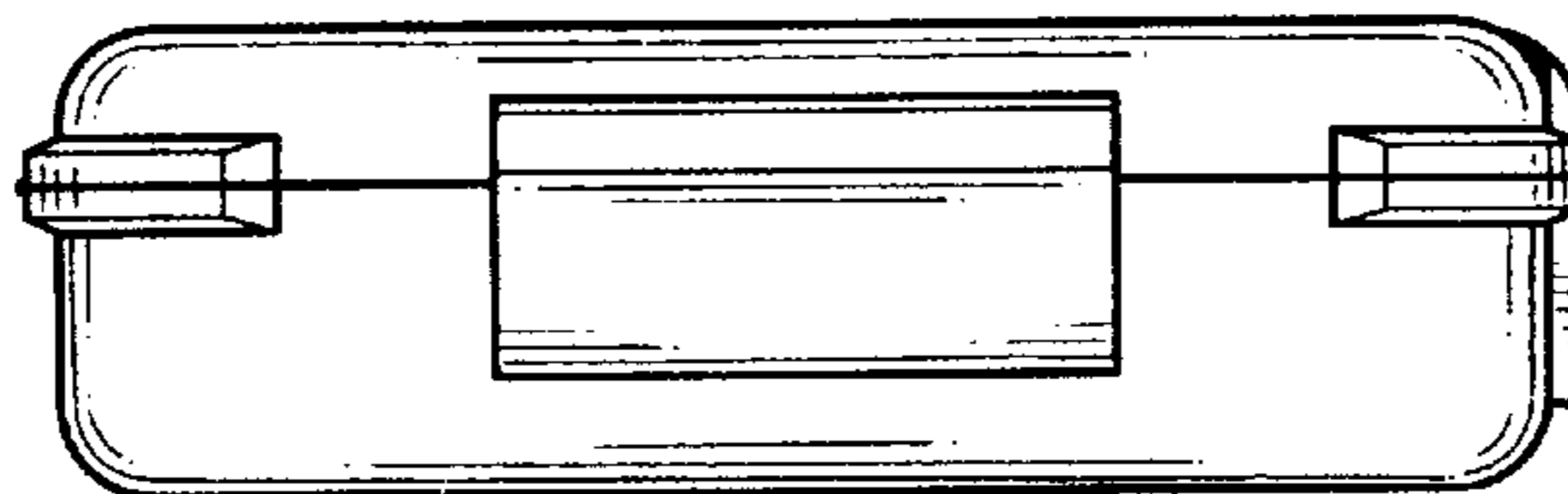


FIG. 7

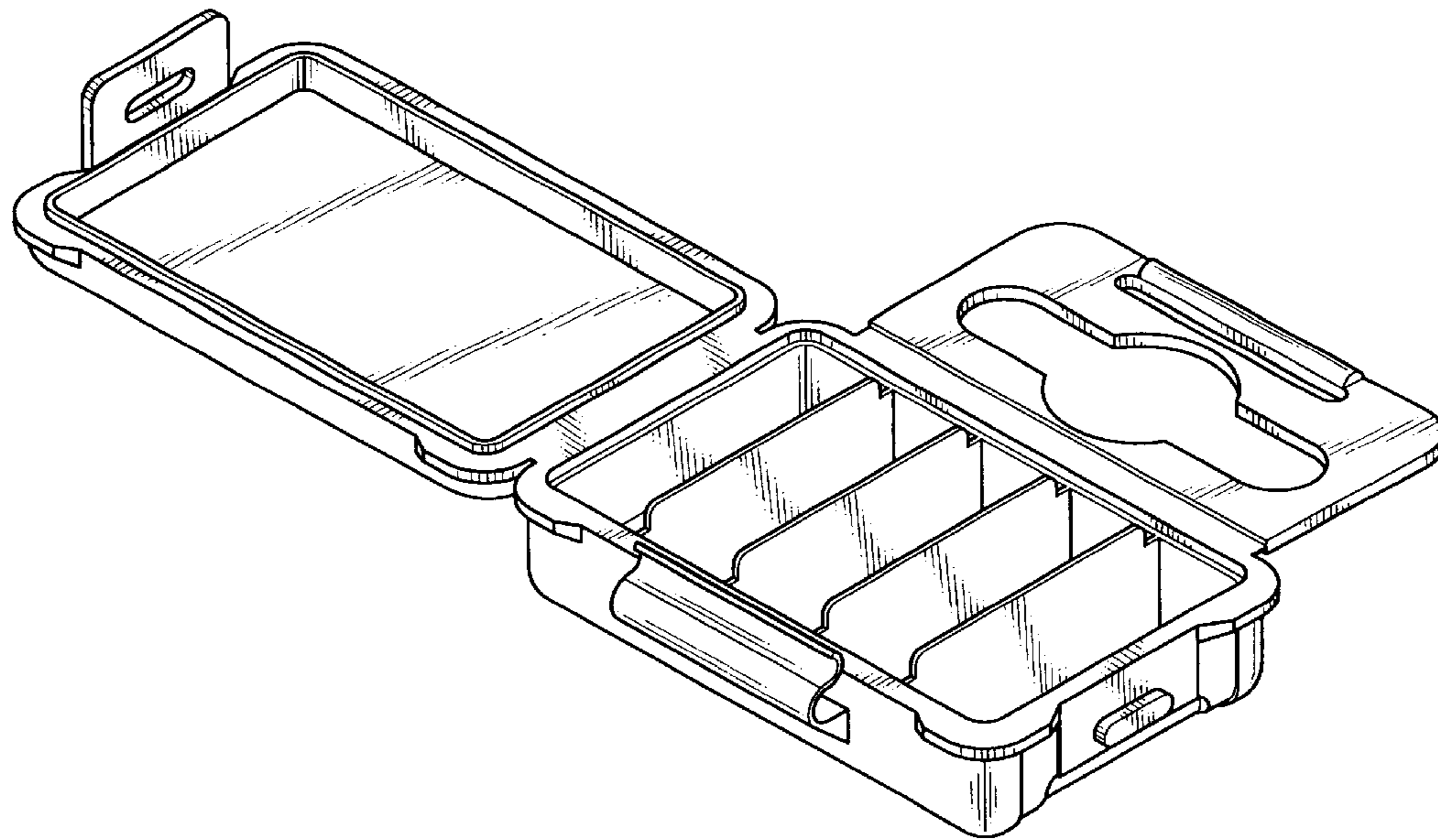


FIG. 8