



US00D515810S

(12) **United States Design Patent**
Terwelp

(10) **Patent No.:** **US D515,810 S**

(45) **Date of Patent:** **** Feb. 28, 2006**

(54) **SHOE BOX**

(75) **Inventor:** **Al Terwelp**, Overbrook, KS (US)

(73) **Assignee:** **Payless ShoeSource Worldwide, Inc.**,
Topeka, KS (US)

(**) **Term:** **14 Years**

(21) **Appl. No.:** **29/209,796**

(22) **Filed:** **Jul. 21, 2004**

(51) **LOC (8) Cl.** **03-01**

(52) **U.S. Cl.** **D3/276**

(58) **Field of Classification Search** D3/201,
D3/273, 276, 287, 302, 317, 242, 200; D9/418,
D9/432; 190/13 F; 229/117.09, 117.23, 117.24,
229/117.25, 117.26; 206/278

See application file for complete search history.

(56) **References Cited**

U.S. PATENT DOCUMENTS

D81,809 S * 8/1930 Ringel D11/148
2,290,971 A * 7/1942 King 229/120.011
2,401,664 A * 6/1946 Robins 229/117.19

2,967,656 A * 1/1961 Vergobbi 229/117.22
5,137,209 A * 8/1992 Roberts et al. 229/117.25
5,299,732 A * 4/1994 Armor et al. 229/117.25
D503,884 S * 4/2005 Camilleri-Oller et al. D9/432

* cited by examiner

Primary Examiner—Philip S. Hyder

Assistant Examiner—RoseLynne Ulm

(74) *Attorney, Agent, or Firm*—Lathrop & Gage, L.C.

(57) **CLAIM**

The ornamental design for a shoe box, as shown and described.

DESCRIPTION

FIG. 1 is a perspective view of a shoe box, showing the new design;

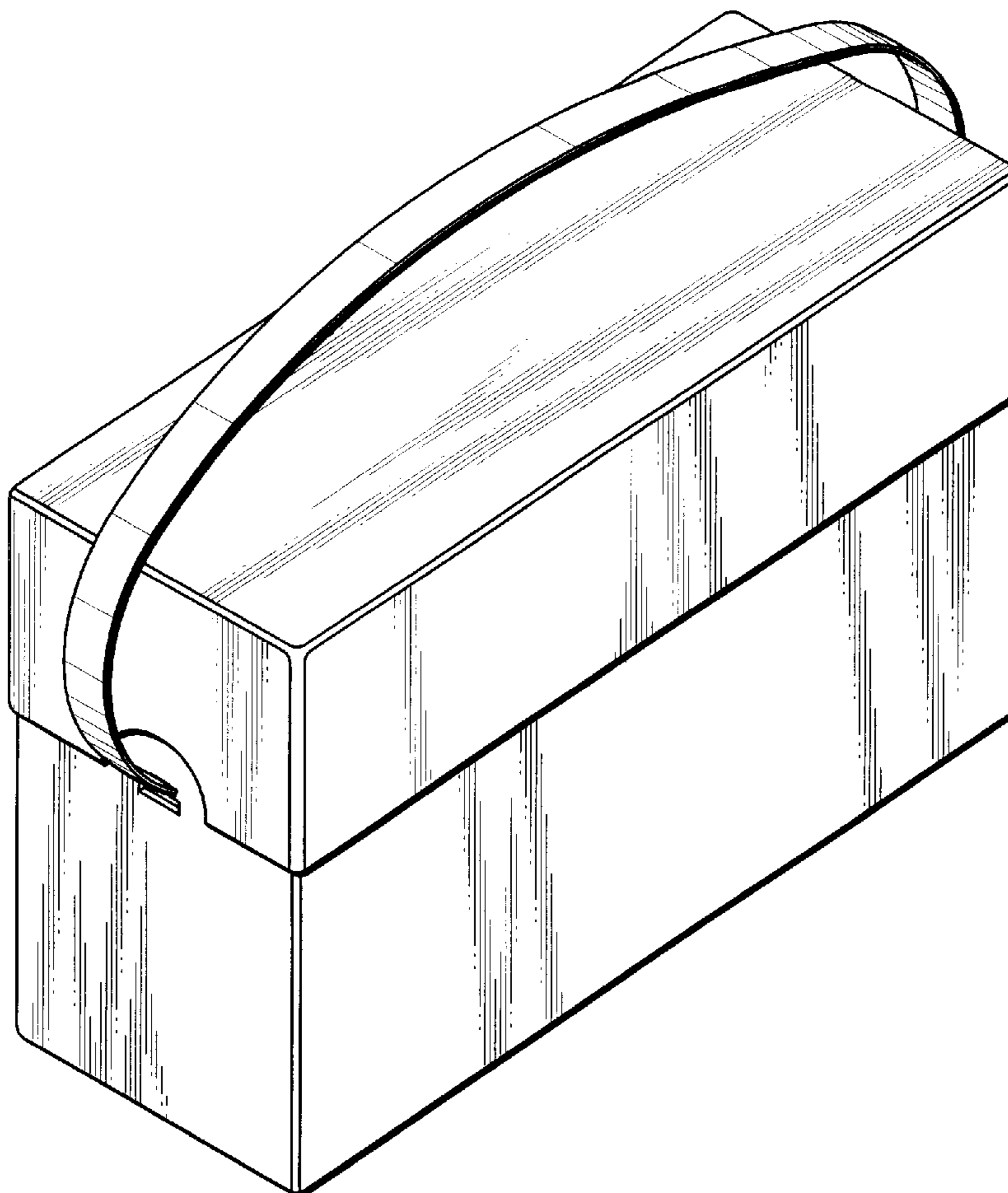
FIG. 2 is a front view of the shoe box of FIG. 1; the back side view being a mirror image thereof;

FIG. 3 is a top plan view of the shoe box of FIG. 1;

FIG. 4 is a right side view of the shoe box of FIG. 1, the left side view being a mirror image thereof; and,

FIG. 5 is a bottom plan view of the shoe box of FIG. 1.

1 Claim, 2 Drawing Sheets



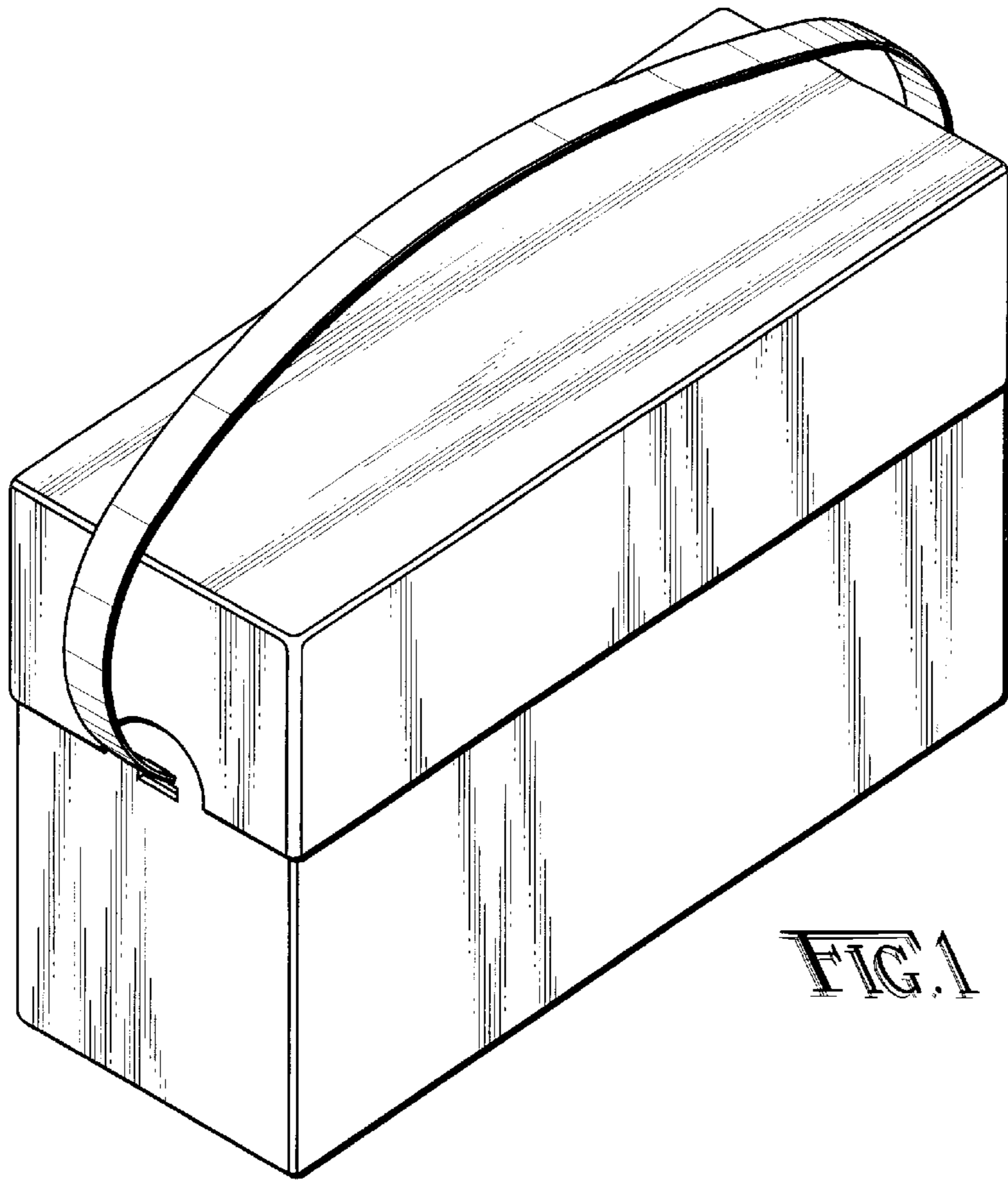


FIG. 1

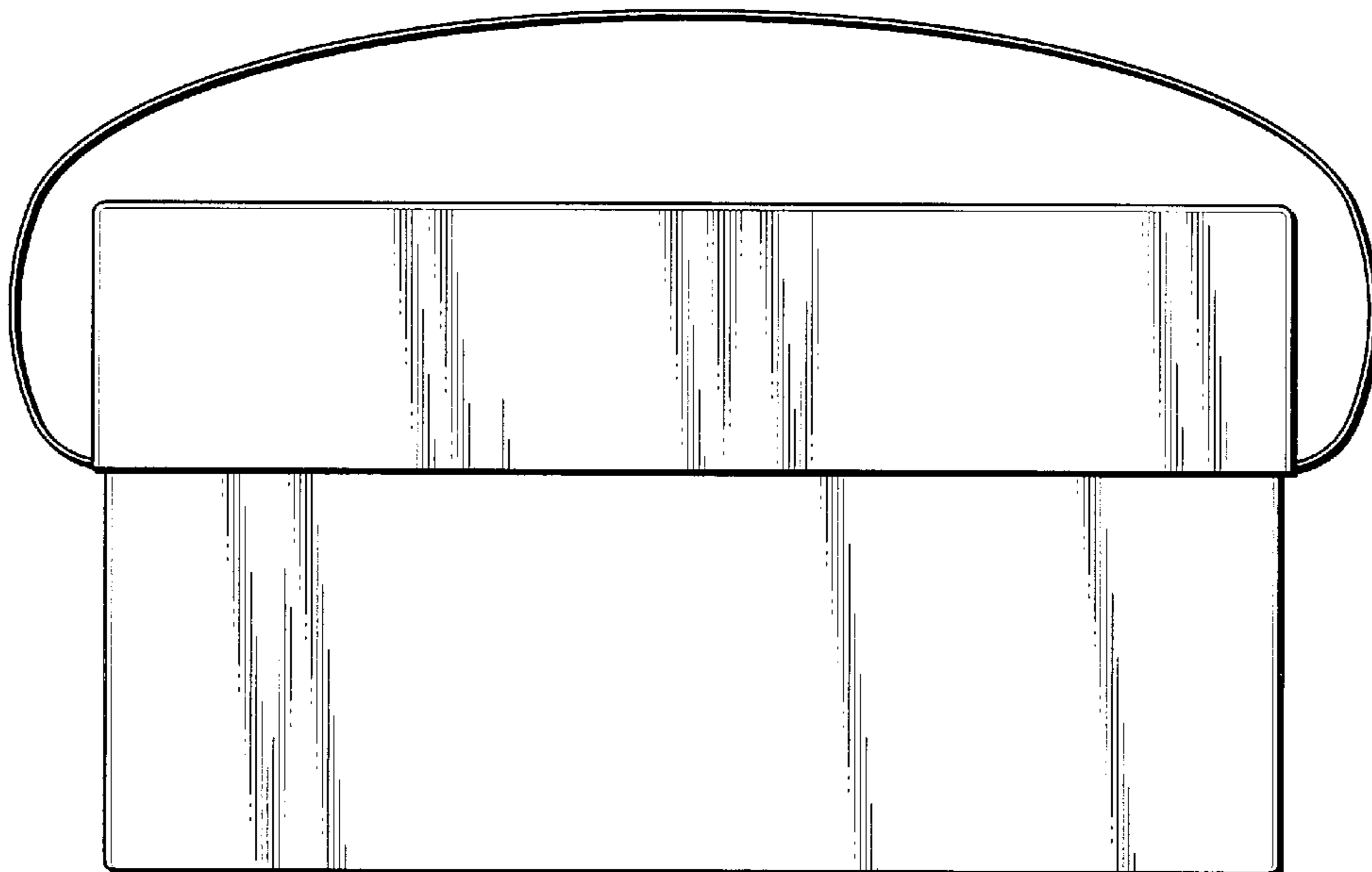


FIG. 2

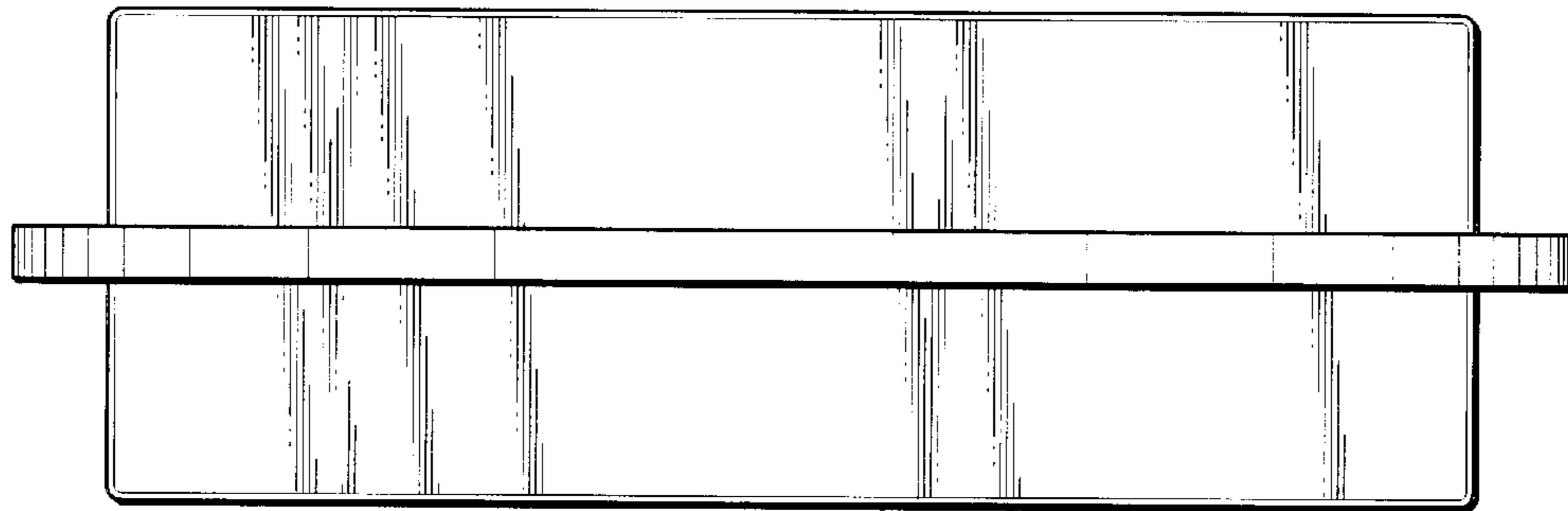


FIG. 3

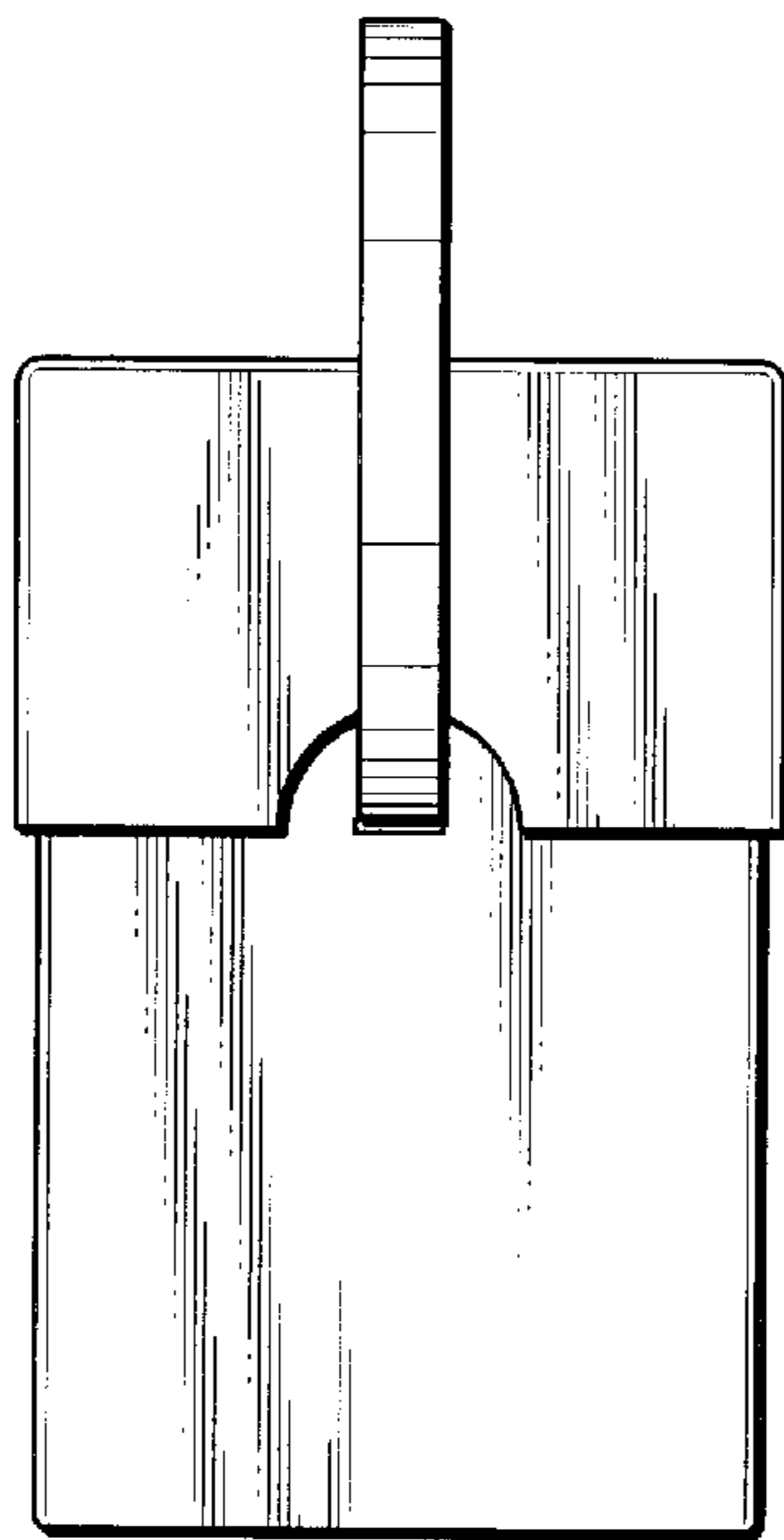


FIG. 4

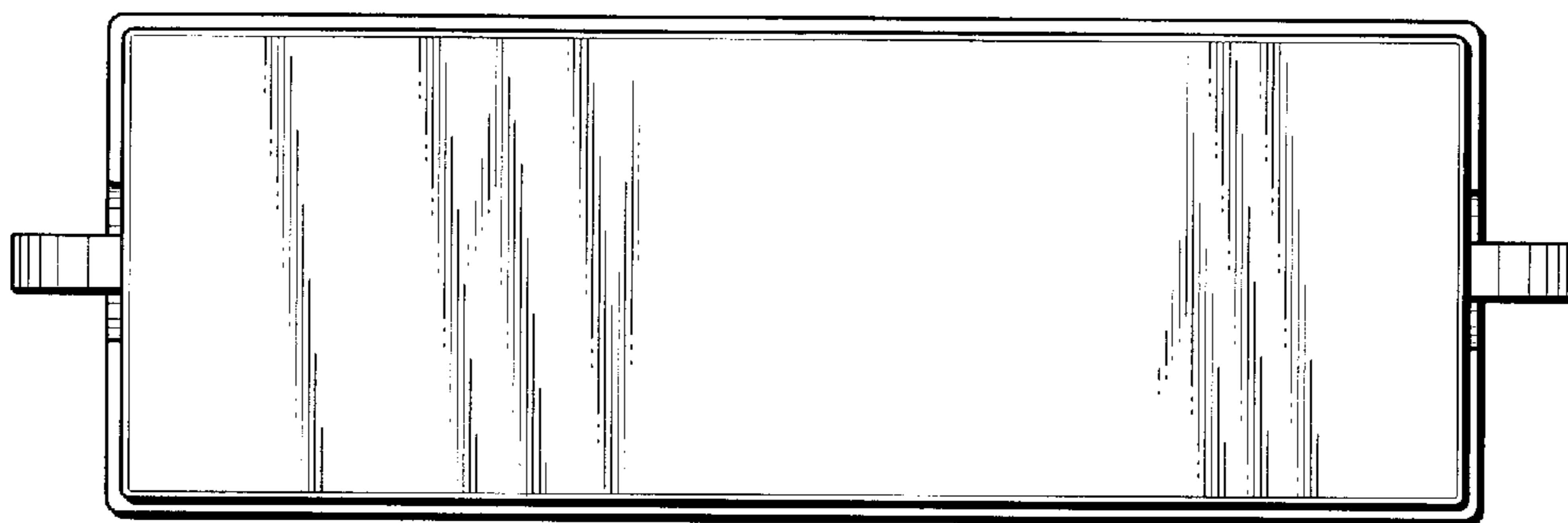


FIG. 5