



US00D515807S

(12) **United States Design Patent**
Faillace

(10) **Patent No.:** **US D515,807 S**

(45) **Date of Patent:** **** Feb. 28, 2006**

(54) **CELLULAR CASE**

D411,347 S * 6/1999 Newcomer D3/265

(76) **Inventor:** **Gabriel Faillace**, 8240 NW. 30th Ter.,
Miami, FL (US) 33122

* cited by examiner

Primary Examiner—Catherine R. Oliver

(74) *Attorney, Agent, or Firm*—Malloy & Malloy, P.A.

(**) **Term:** **14 Years**

(57) **CLAIM**

(21) **Appl. No.:** **29/221,879**

The ornamental design for cellular case, as shown and described.

(22) **Filed:** **Jan. 21, 2005**

(51) **LOC (8) Cl.** **03-01**

DESCRIPTION

(52) **U.S. Cl.** **D3/218**

(58) **Field of Classification Search** D3/218,
D3/219, 215, 224, 226, 263–266, 230, 233;
206/5, 5.1, 6; 248/902; 224/908, 3.12
See application file for complete search history.

FIG. 1 is a front perspective view illustrating my design for a cellular case;

FIG. 2 is a front view thereof;

FIG. 3 is a left side view thereof;

FIG. 4 is a top view thereof;

FIG. 5 is a right side view thereof;

FIG. 6 is a bottom view thereof; and,

FIG. 7 is a rear view thereof.

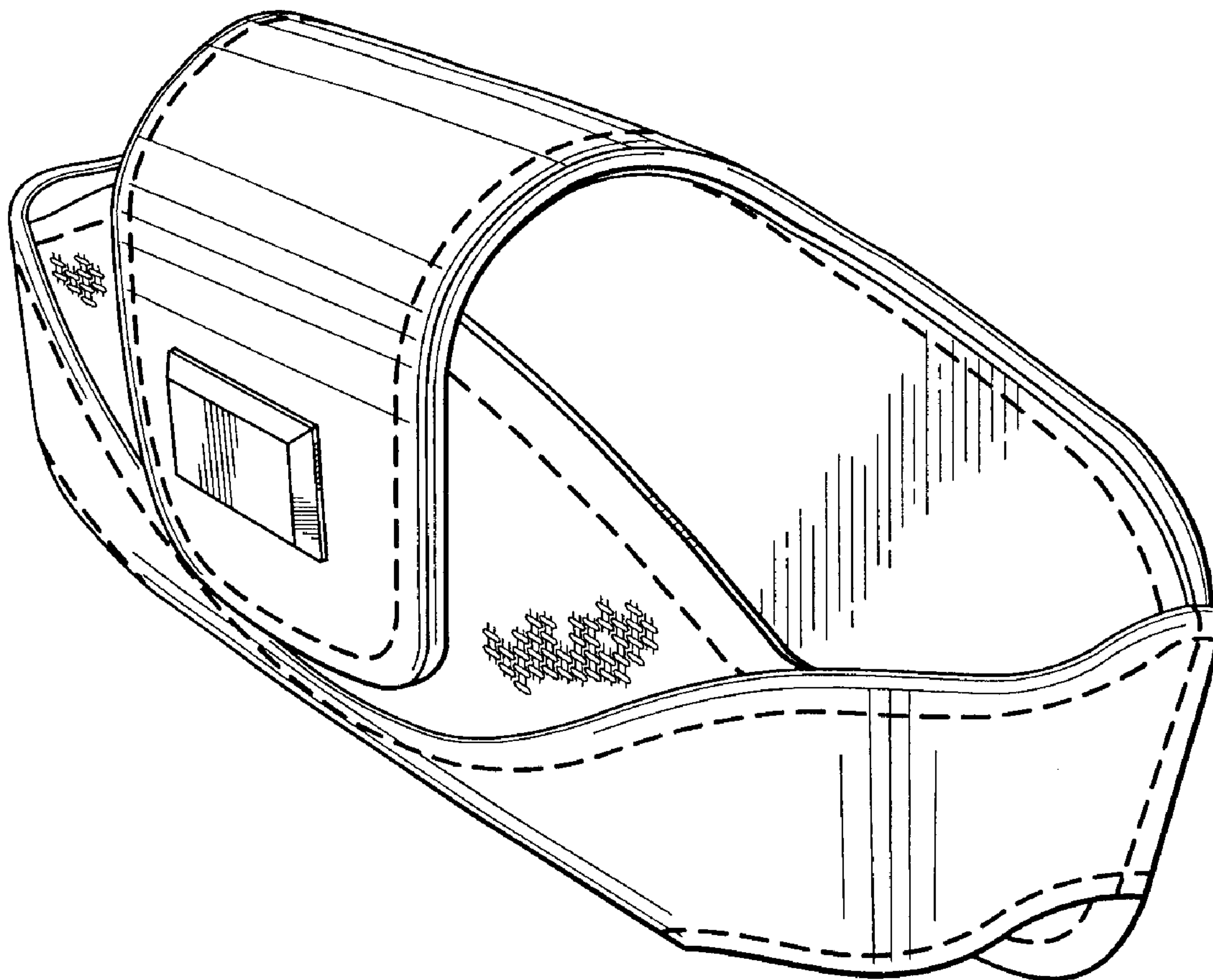
The broken lines disclosed in the drawing figures represent top-stitching.

(56) **References Cited**

U.S. PATENT DOCUMENTS

2,351,447	A	*	6/1944	Nathan	206/5
2,423,338	A	*	7/1947	Nathan	206/5
D189,994	S	*	3/1961	Spielberg	D3/265
D349,403	S	*	8/1994	Cereda	D3/266

1 Claim, 3 Drawing Sheets



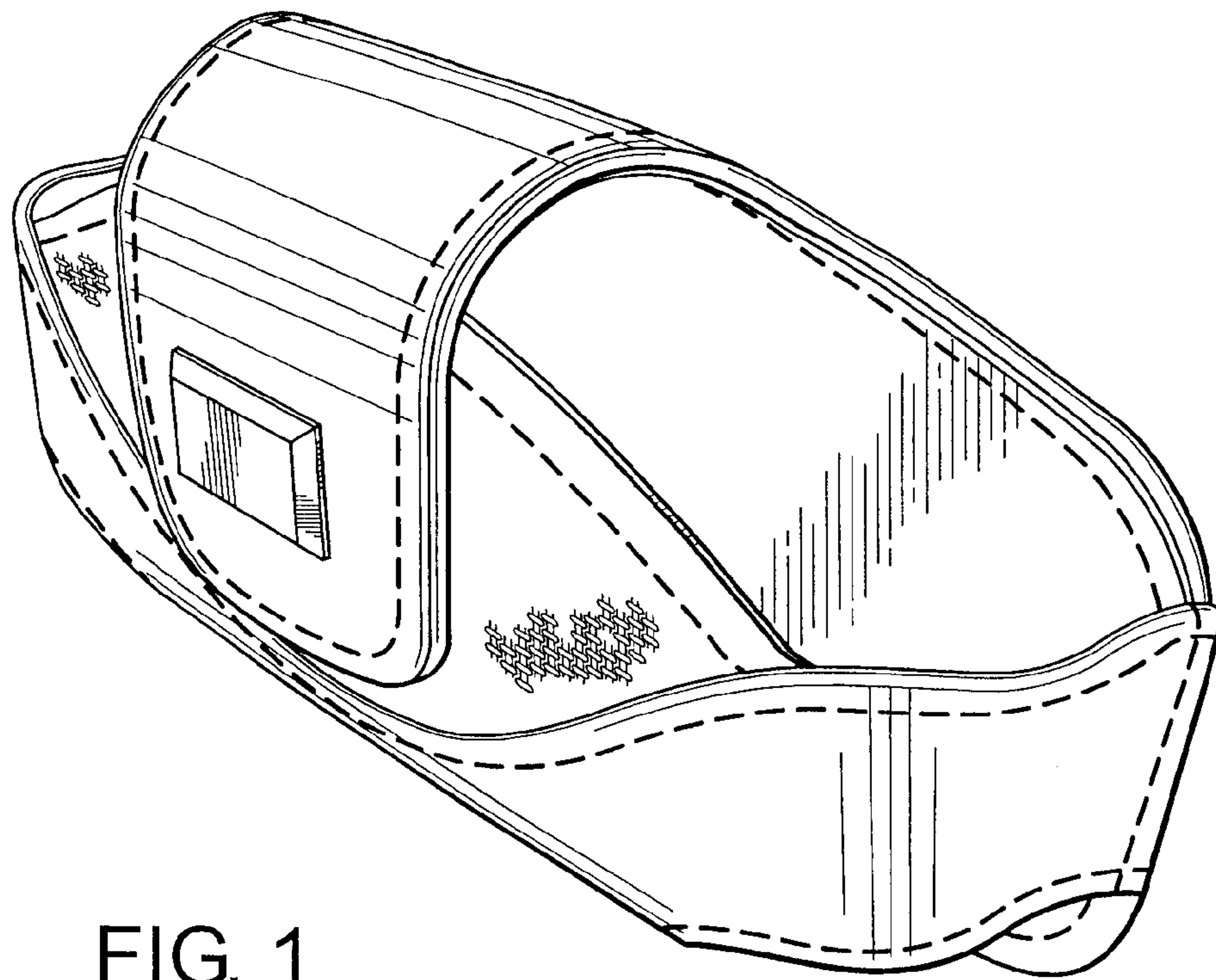


FIG. 1

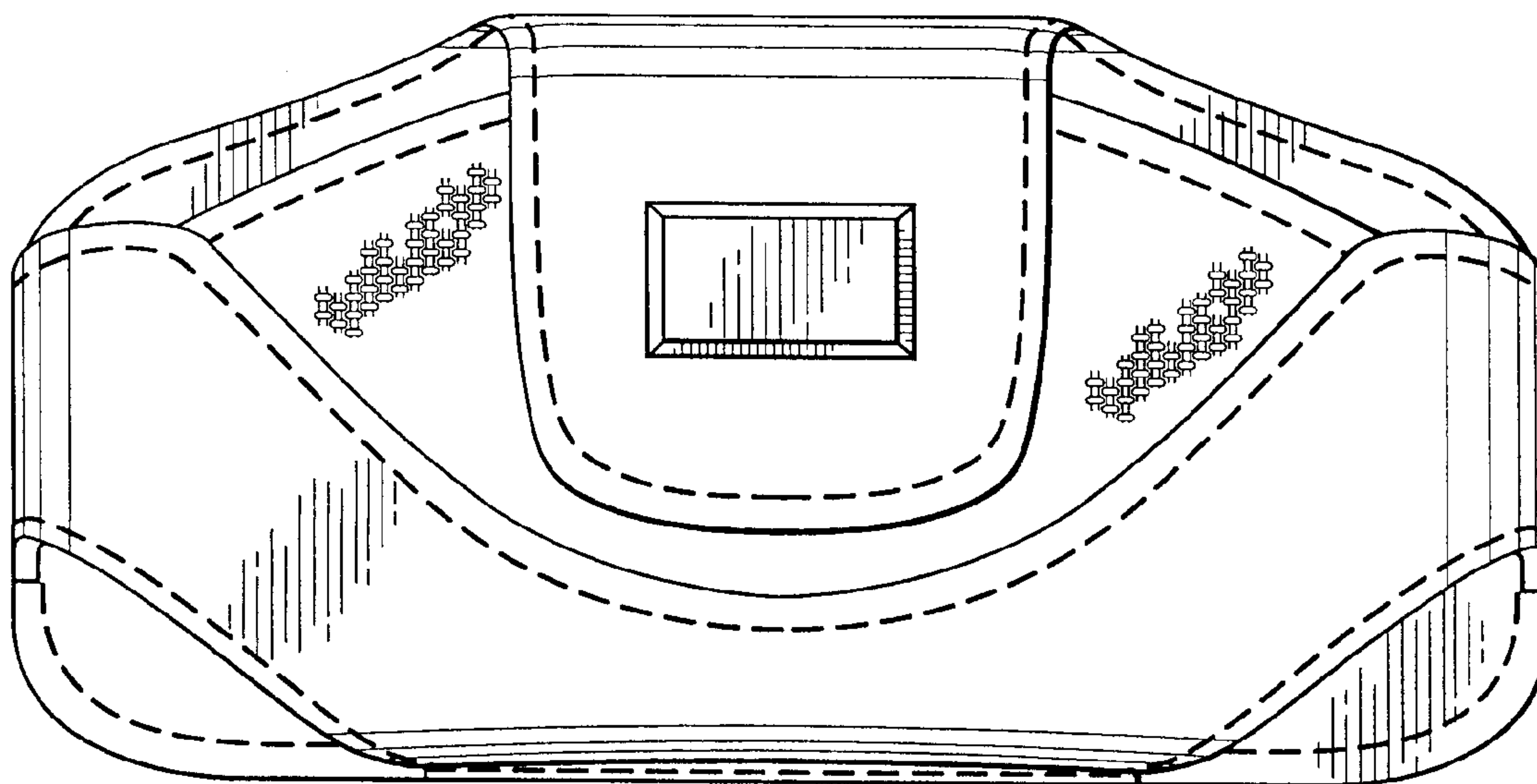


FIG. 2

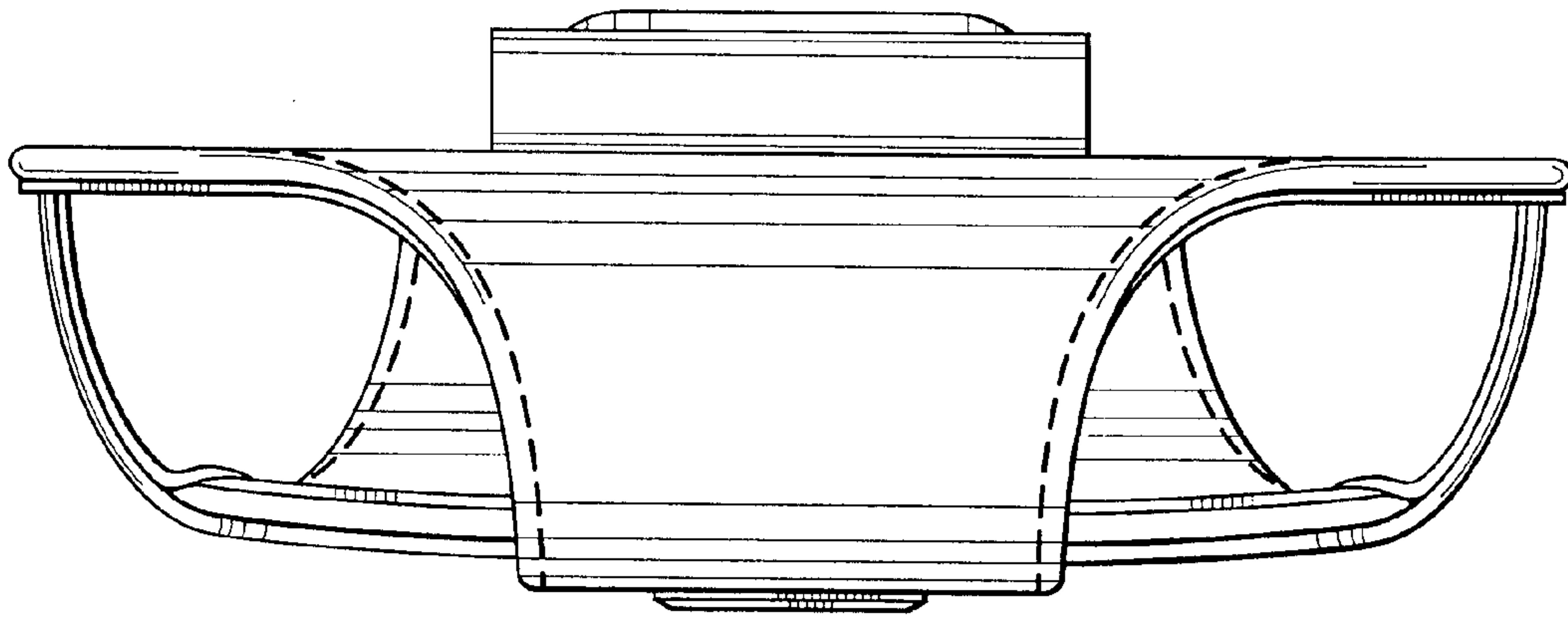


FIG. 4

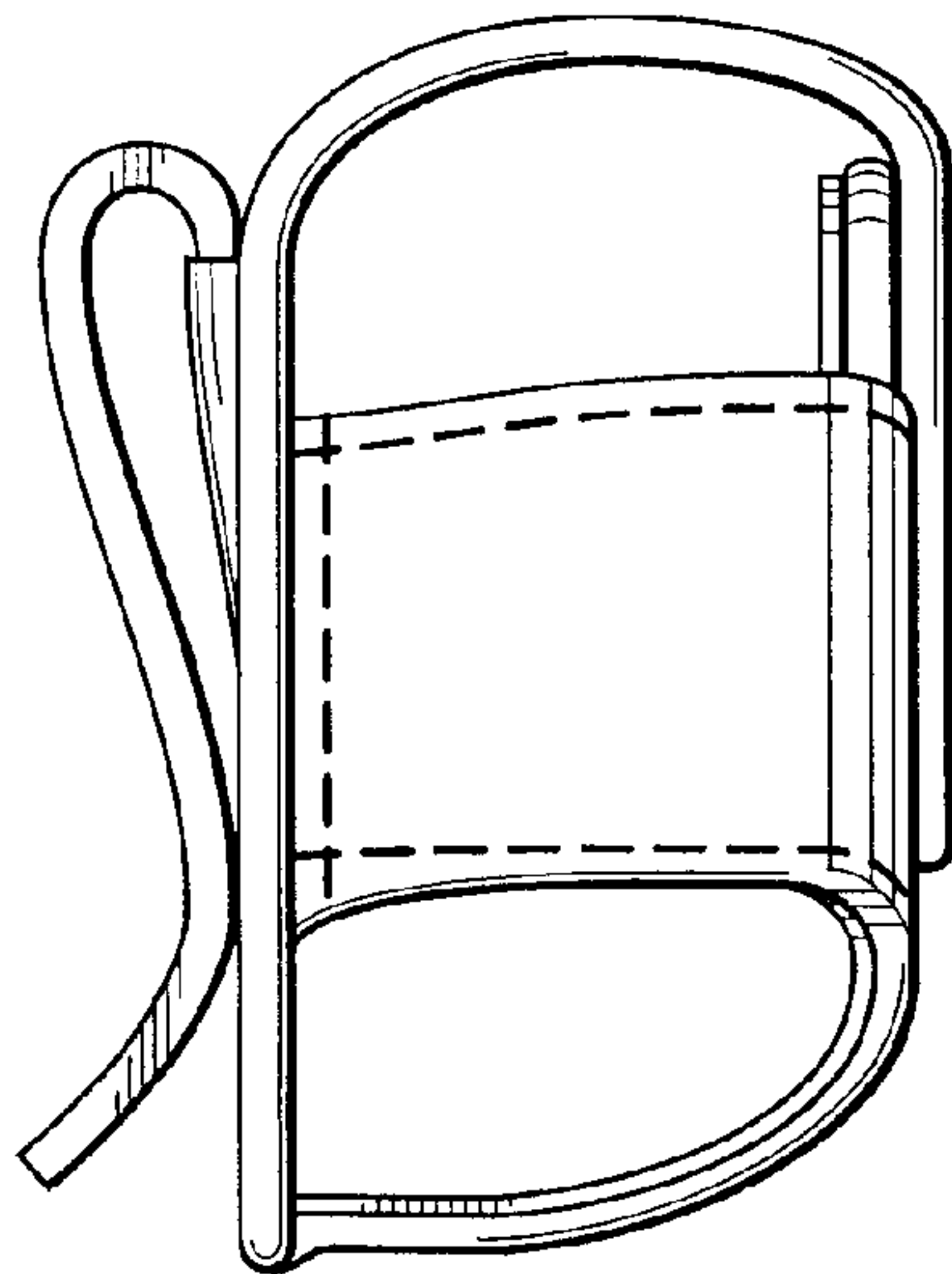


FIG. 3

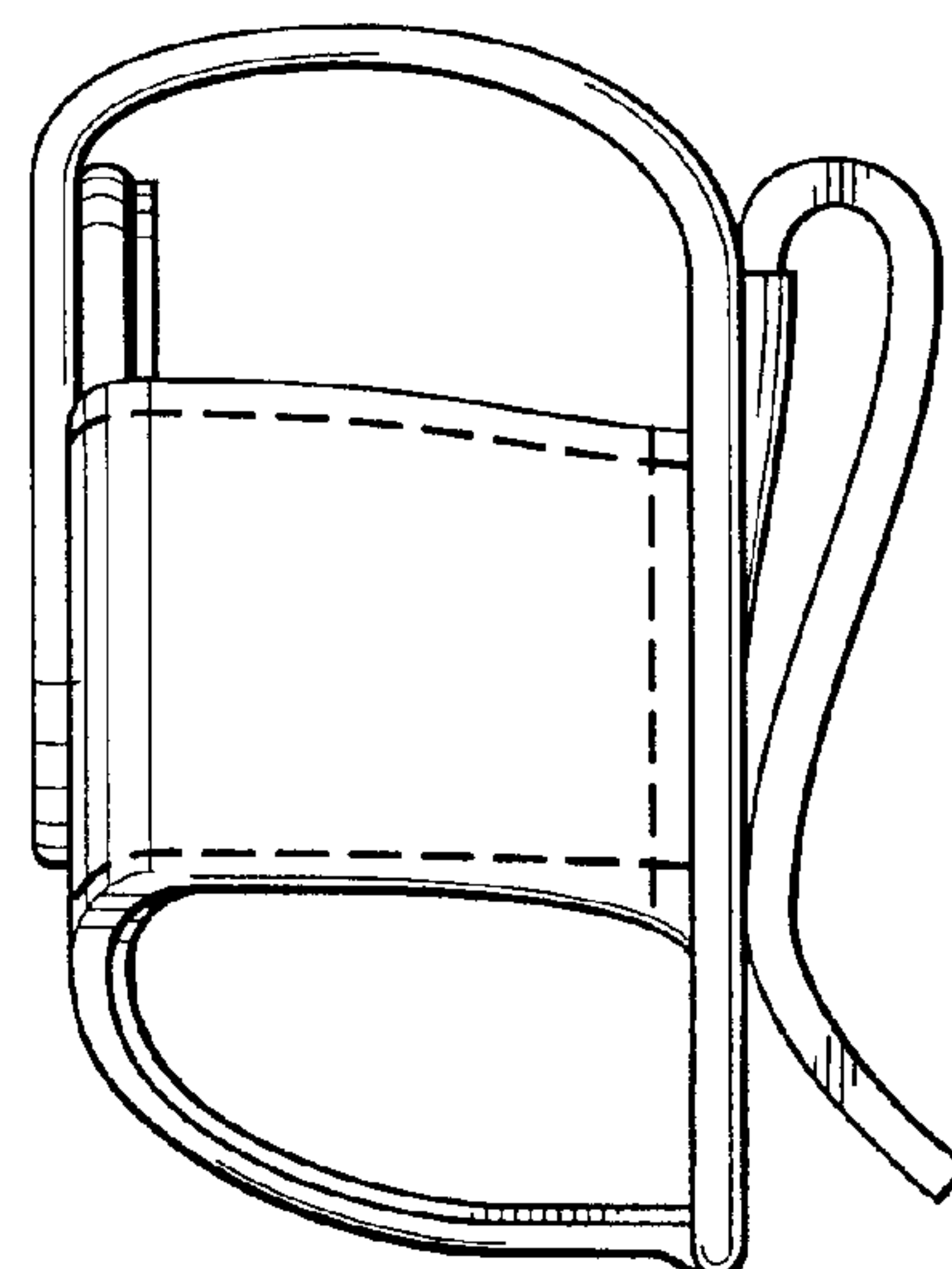


FIG. 5

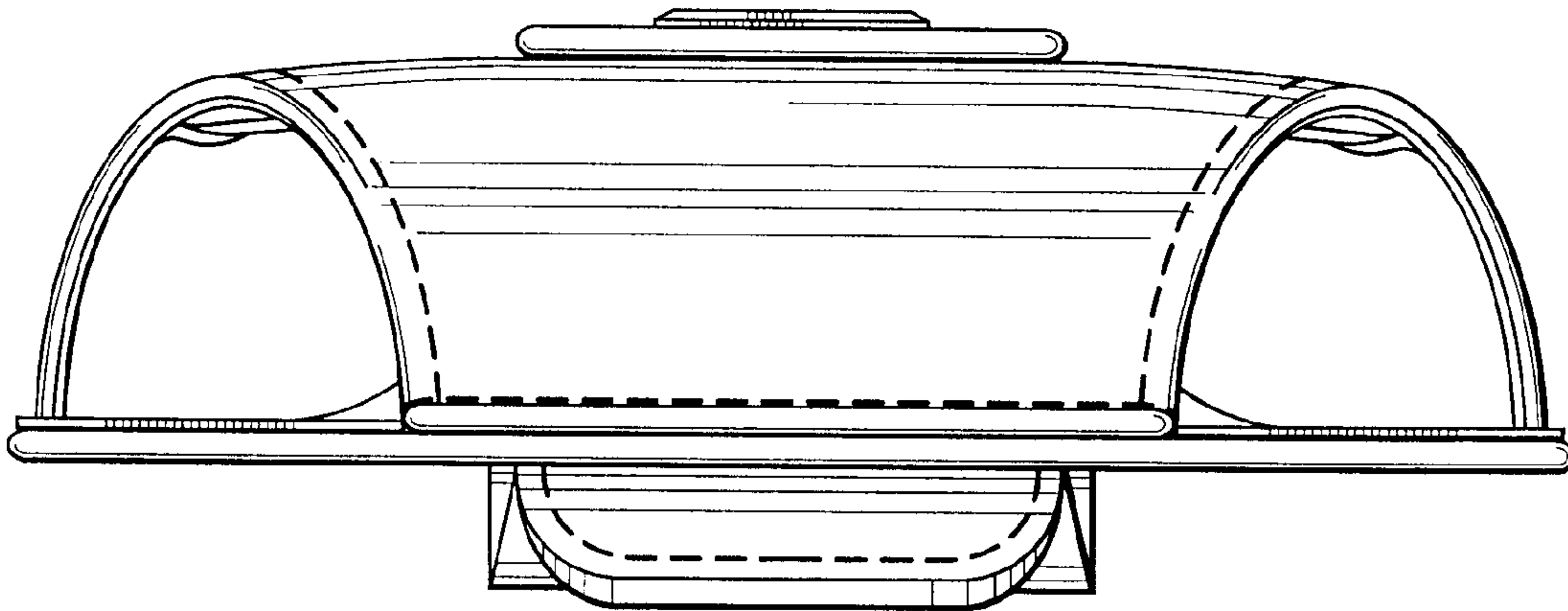


FIG. 6

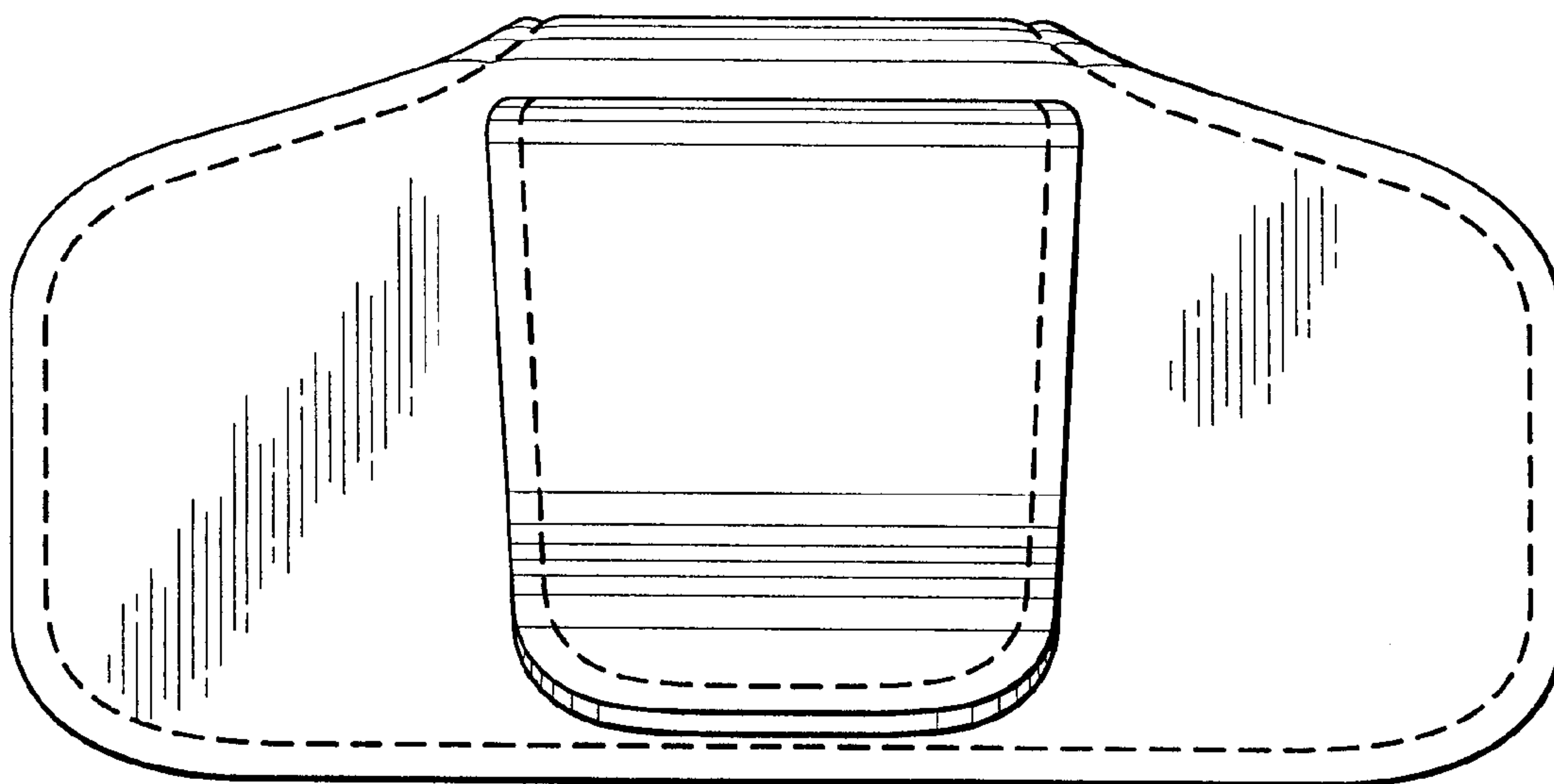


FIG. 7