

US00D515805S

(12) **United States Design Patent**
Jones

(10) **Patent No.:** **US D515,805 S**
(45) **Date of Patent:** **** Feb. 28, 2006**

(54) **WRIST OR ANKLE WALLET**

D507,103 S * 7/2005 Charles, Jr. D3/215

(76) **Inventor:** **Kathleen W. Jones**, 3910 Indian Way,
Santa Ynez, CA (US) 93460

* cited by examiner

(**) **Term:** **14 Years**

Primary Examiner—Catherine R. Oliver

(74) *Attorney, Agent, or Firm*—Robert E. Howard

(21) **Appl. No.:** **29/223,124**

(57) **CLAIM**

(22) **Filed:** **Feb. 8, 2005**

The ornamental design for a wrist or ankle wallet, as shown and described.

(51) **LOC (8) Cl.** **03-01**

DESCRIPTION

(52) **U.S. Cl.** **D3/215**

(58) **Field of Classification Search** D3/215,
D3/224, 226, 230; 224/219, 222, 269, 267;
2/170; D28/64.1, 64.2, 64.3, 64.4
See application file for complete search history.

FIG. 1 is a front perspective view of the wrist or ankle wallet of the present invention, attached to user's left wrist shown in phantom;

FIG. 2 is a front perspective view thereof;

FIG. 3 is a rear perspective view thereof;

FIG. 4 is a front perspective view thereof with the top flap shown in its raised position; and,

FIG. 5 is a front perspective view thereof with the middle flap shown in its raised position.

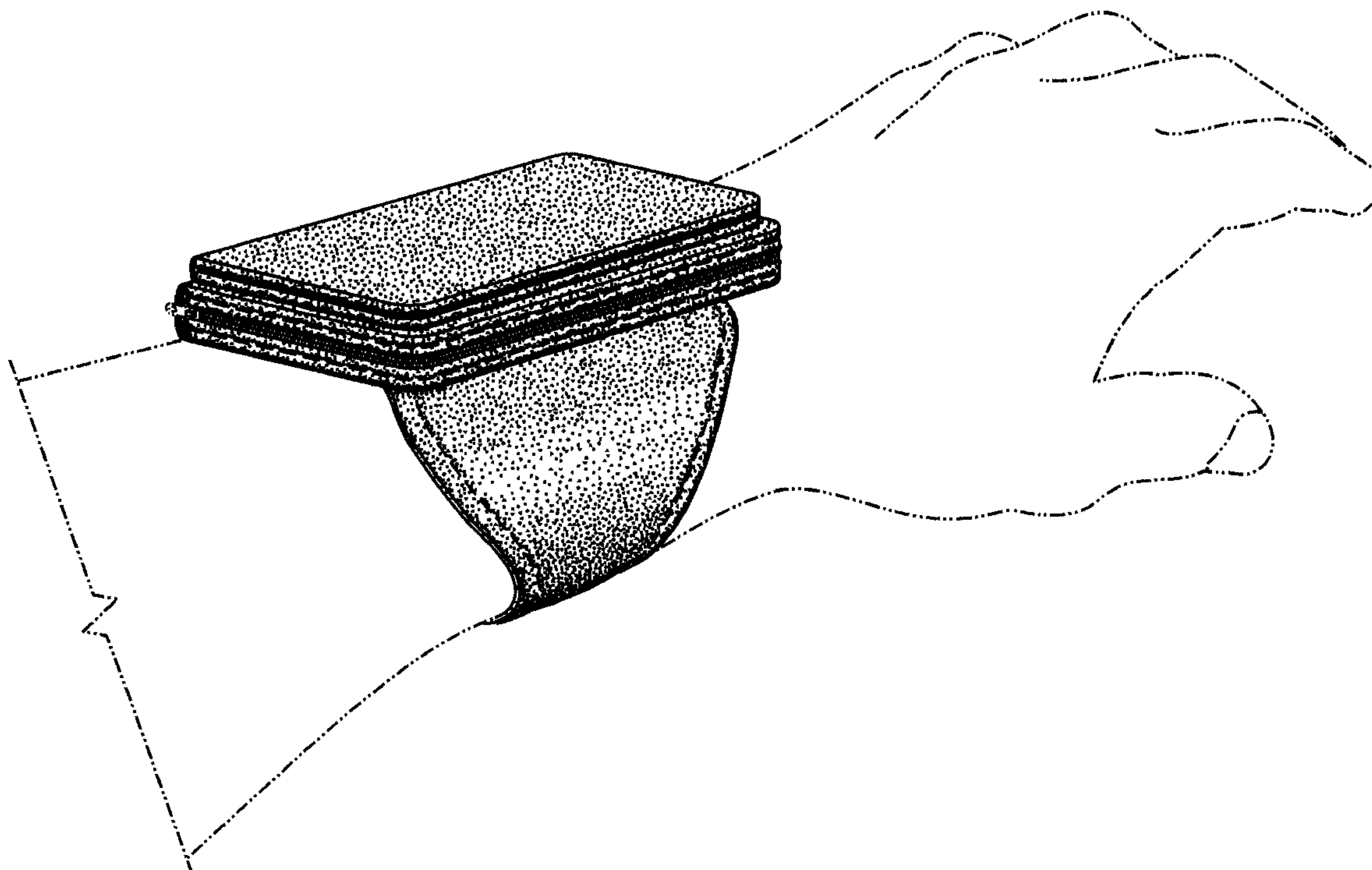
The broken line showing of environment in the drawings is for illustrative purposes only and forms no part of the claimed design.

(56) **References Cited**

U.S. PATENT DOCUMENTS

5,511,702 A	*	4/1996	Yang	224/219
D371,675 S	*	7/1996	Carter	D3/215
D391,075 S	*	2/1998	Jackson et al.	D3/215
D438,374 S	*	3/2001	Hayman	D3/215
6,568,574 B1		5/2003	Jones et al.	224/222
D501,990 S	*	2/2005	Carr	D3/215

1 Claim, 3 Drawing Sheets



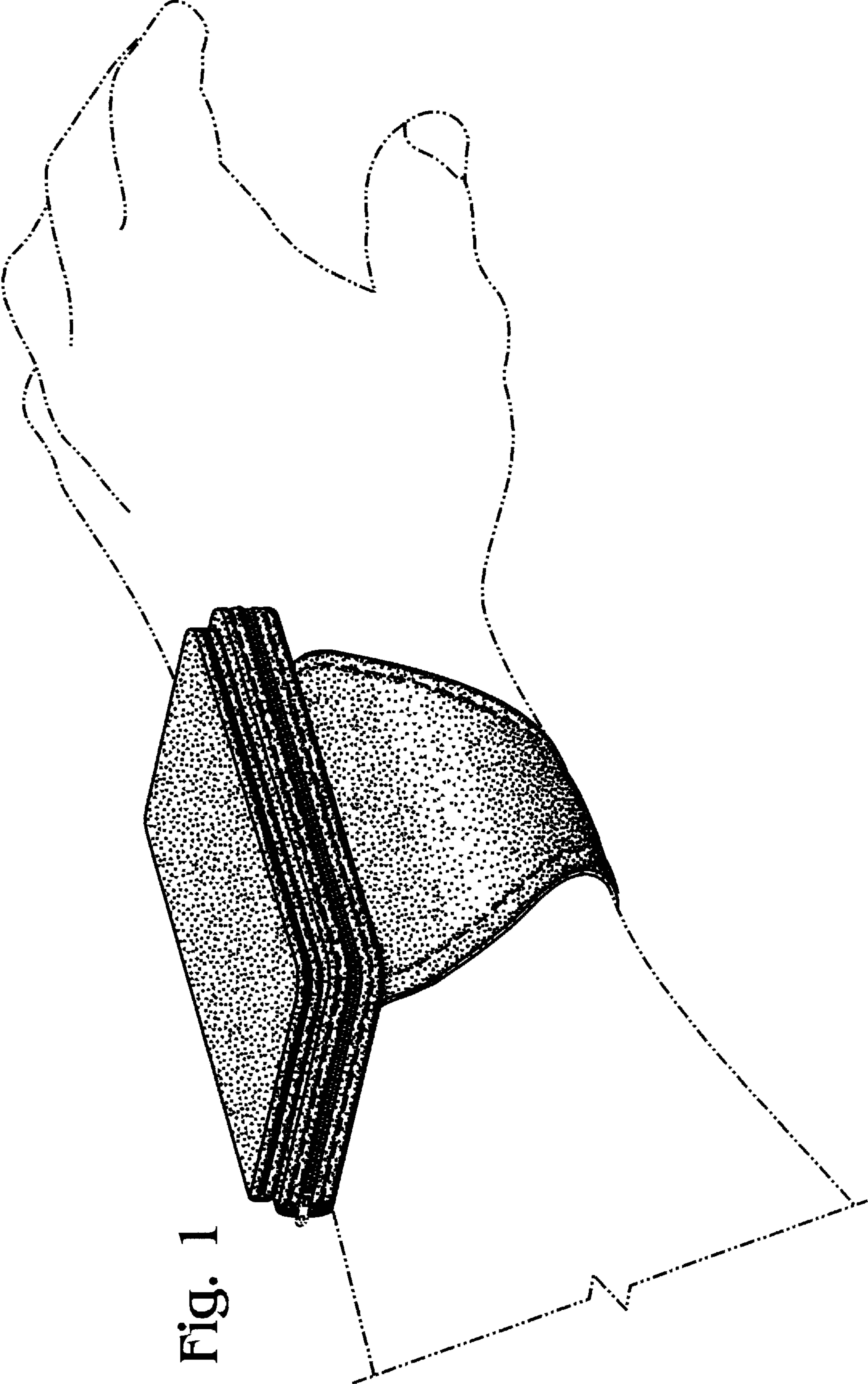


Fig. 1

Fig. 2

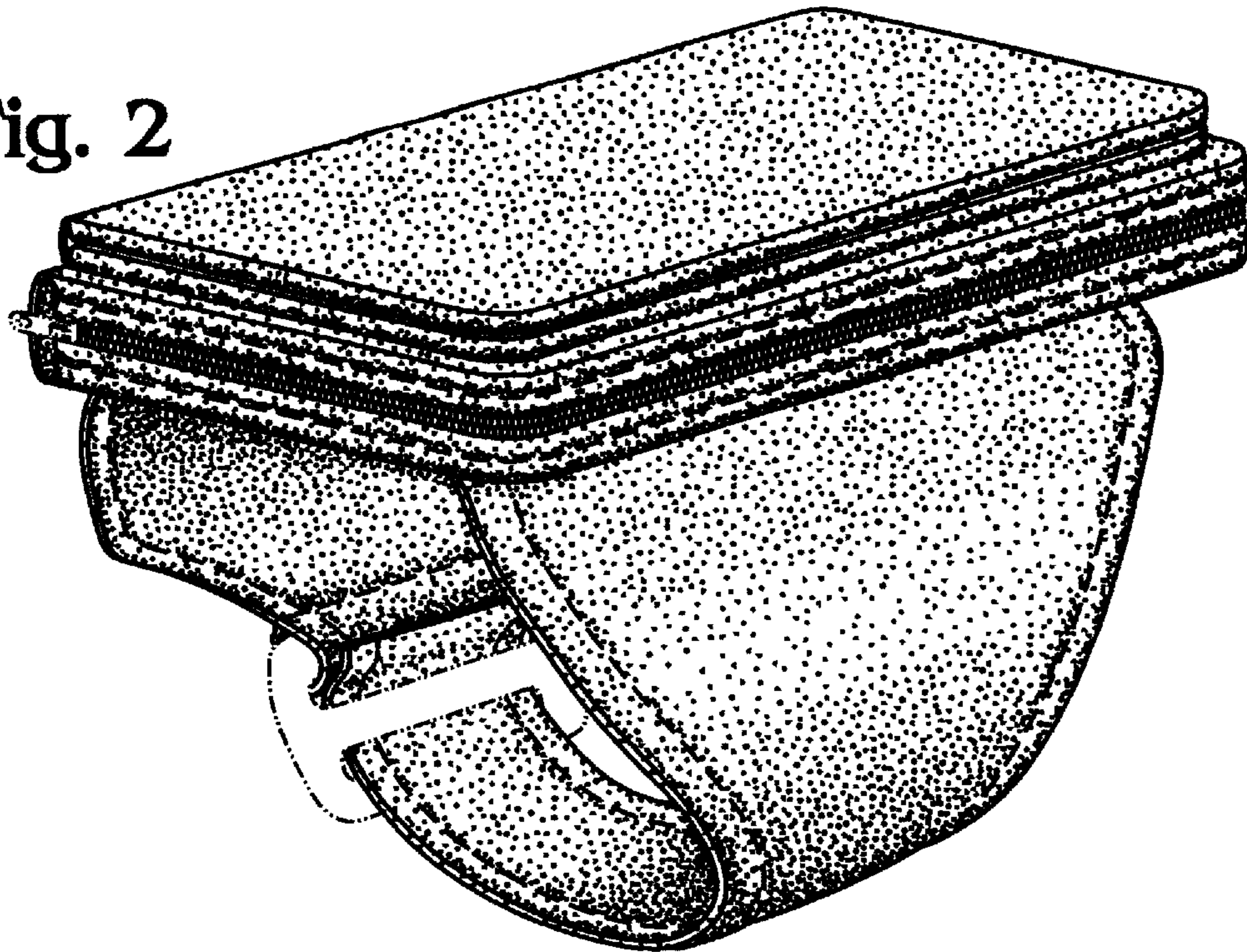


Fig. 3

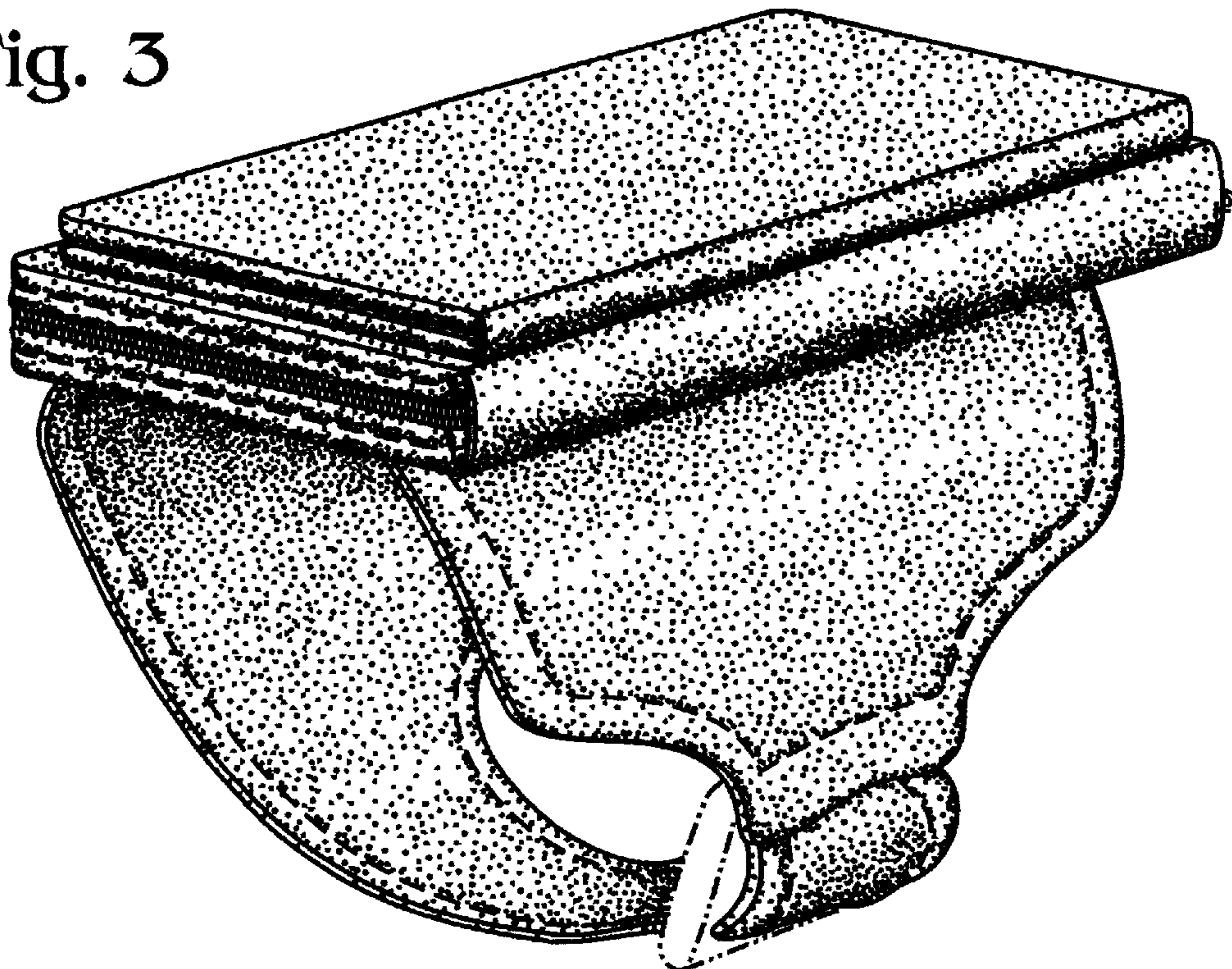


Fig. 4

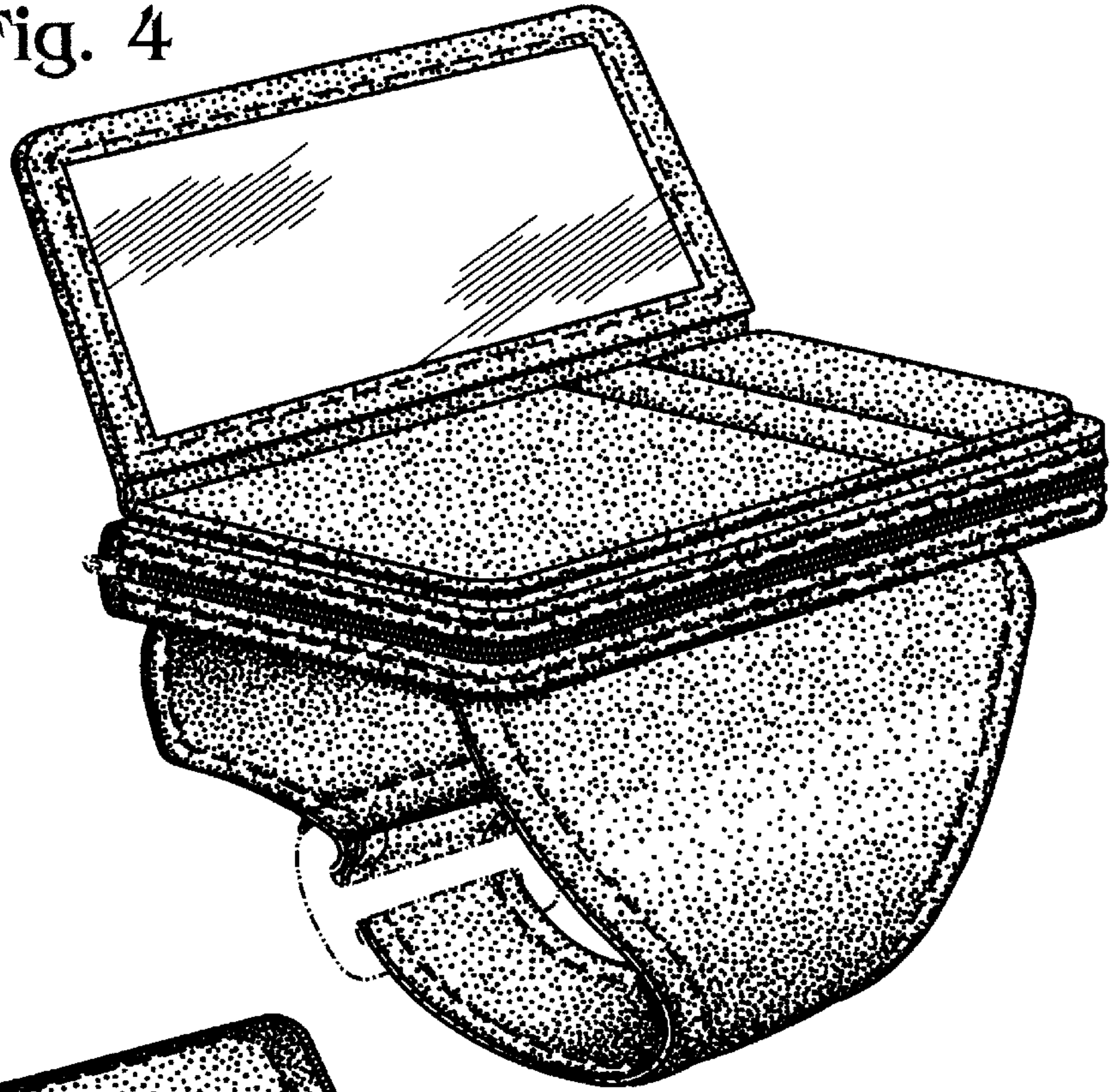


Fig. 5

