



US00D515794S

(12) **United States Design Patent**  
**Spencer**

(10) **Patent No.:** **US D515,794 S**

(45) **Date of Patent:** **\*\* Feb. 28, 2006**

(54) **FOOTWEAR CLEAT**

(75) **Inventor:** **Nathan R. Spencer**, Nampa, ID (US)

(73) **Assignee:** **Softspikes, LLC**, Gaithersburg, MD (US)

(\*\*) **Term:** **14 Years**

(21) **Appl. No.:** **29/215,340**

(22) **Filed:** **Oct. 19, 2004**

(51) **LOC (8) Cl.** ..... **02-99**

(52) **U.S. Cl.** ..... **D2/962**

(58) **Field of Classification Search** ..... D2/906,  
D2/946, 962; 36/7.6, 7.7, 67 A, 59 R, 126-129,  
36/134

See application file for complete search history.

(56) **References Cited**

**U.S. PATENT DOCUMENTS**

D449,431 S \* 10/2001 Savoie ..... D2/962  
6,904,707 B2 \* 6/2005 McMullin ..... 36/134

\* cited by examiner

*Primary Examiner*—Dominic Simone

(74) *Attorney, Agent, or Firm*—Edell, Shapiro, & Finnan LLC

(57) **CLAIM**

The ornamental design for a footwear cleat, as shown and described.

**DESCRIPTION**

FIG. 1 is a bottom perspective view showing my new design;

FIG. 2 is a bottom view in plan thereof;

FIG. 3 is a top view in plan thereof;

FIG. 4 is a front view in elevation thereof;

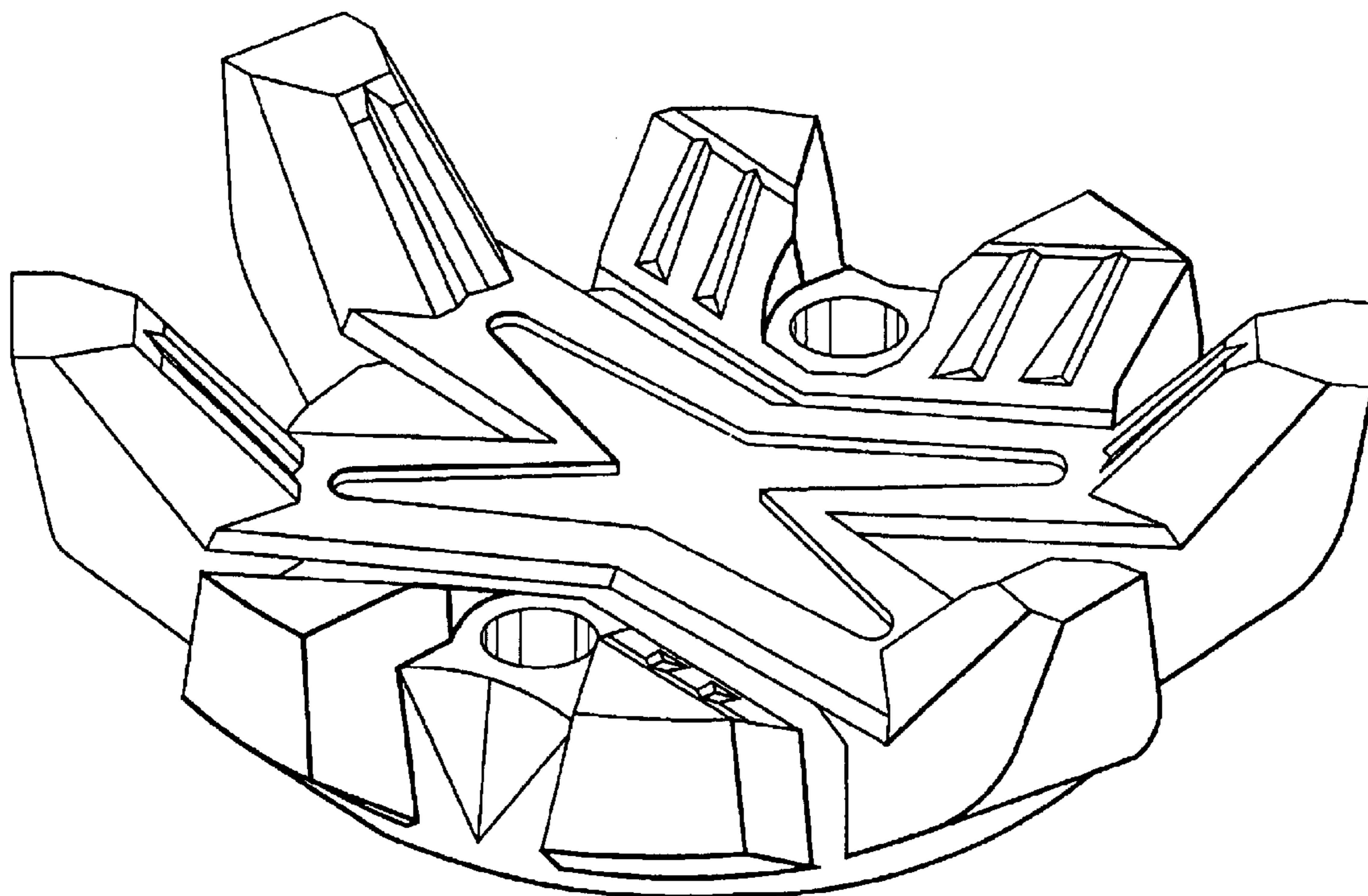
FIG. 5 is a rear view in elevation thereof;

FIG. 6 is a left side view in elevation thereof; and,

FIG. 7 is a right side view in elevation thereof.

The broken lines shown throughout are for contextual illustrative purposes and form no part of the claimed design.

**1 Claim, 3 Drawing Sheets**



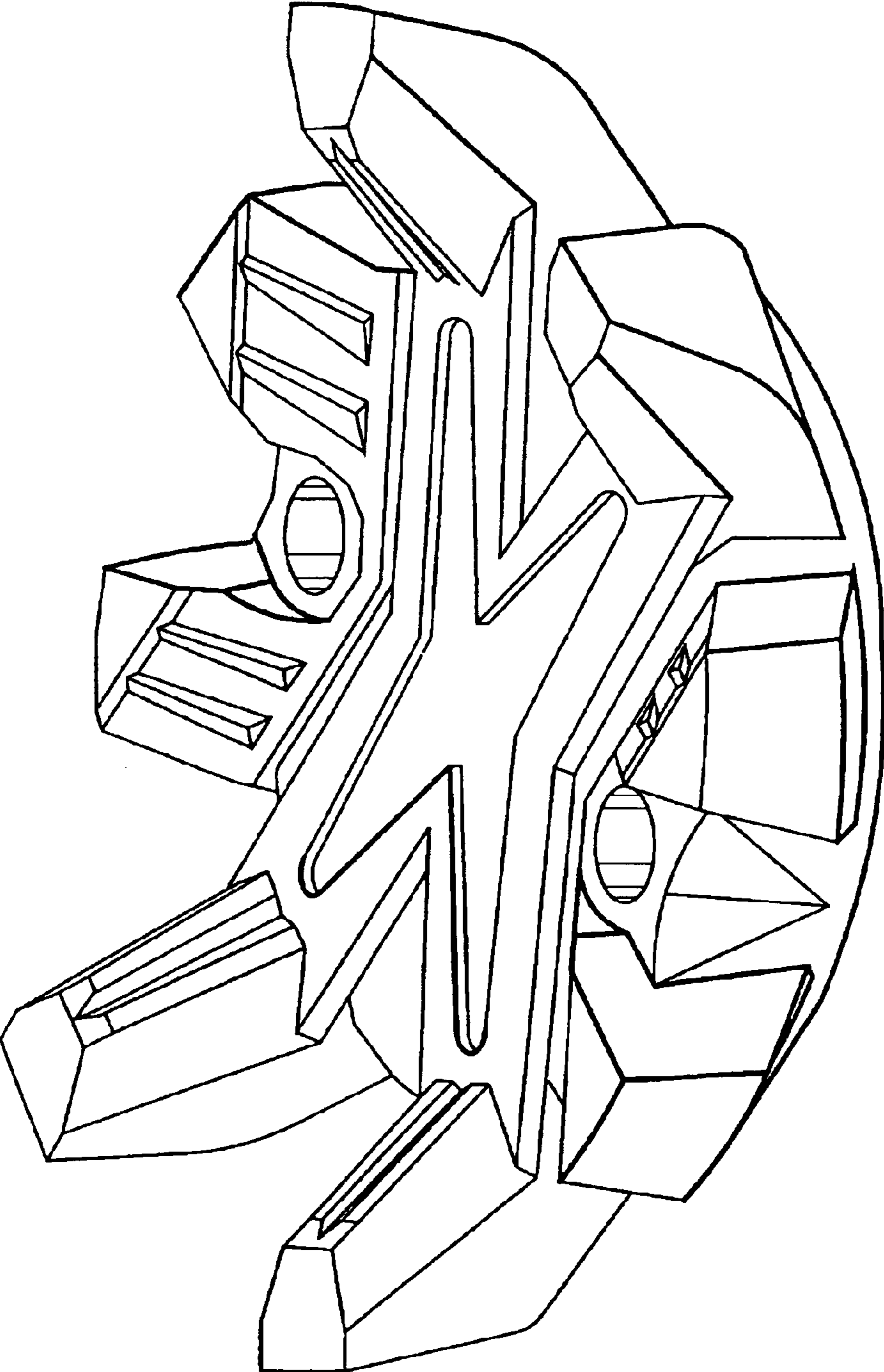


FIG. 1

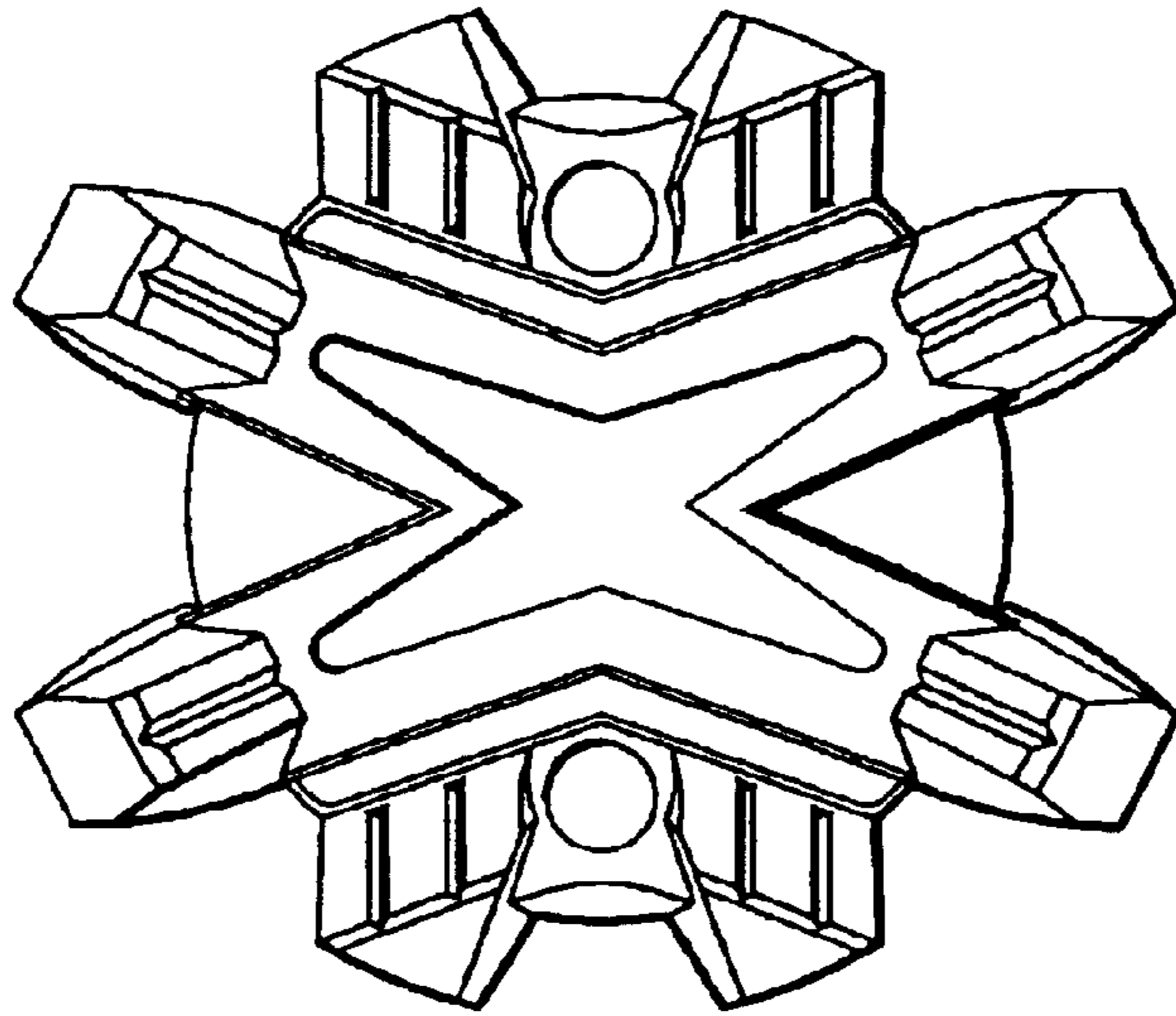


FIG. 2

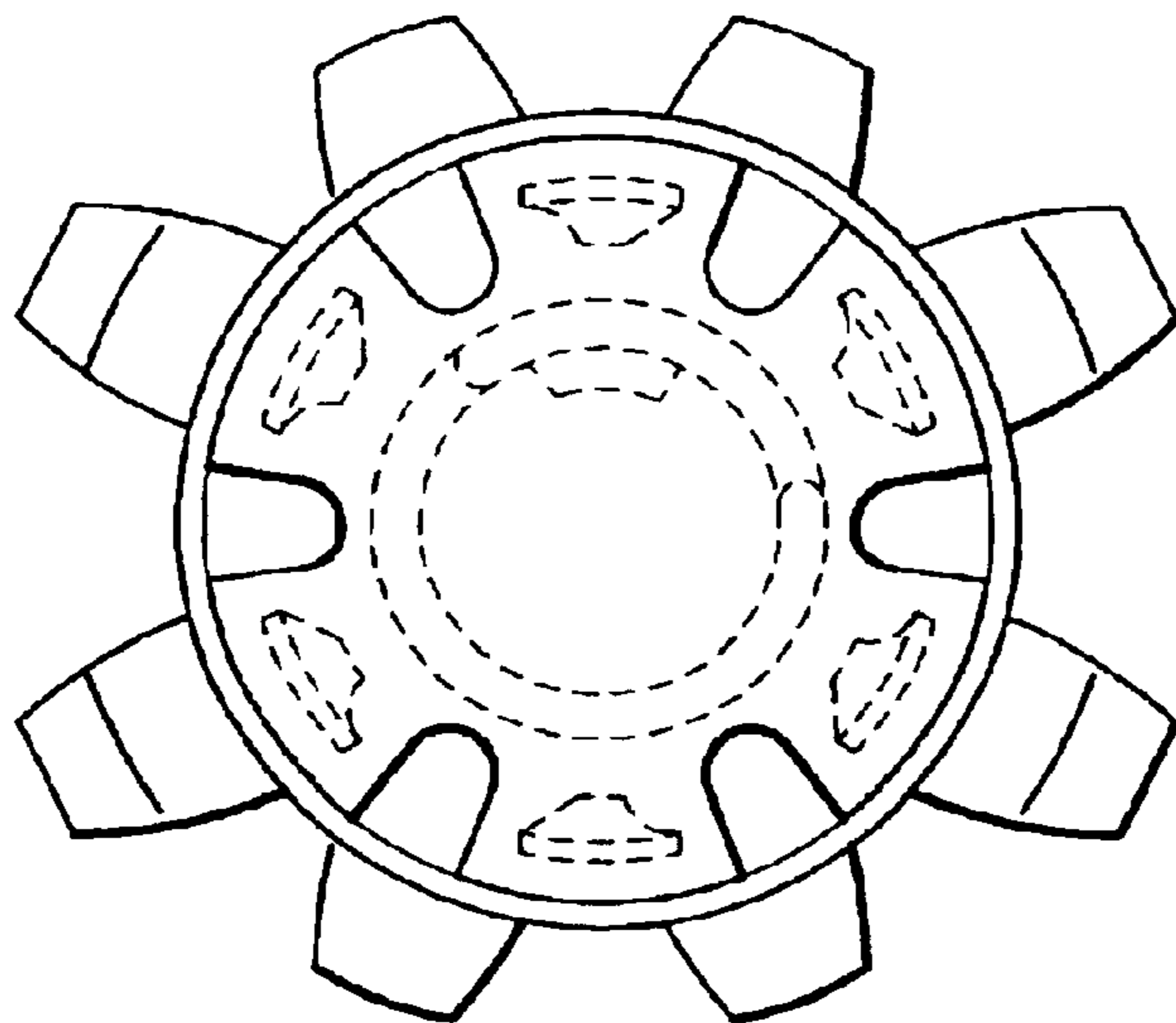


FIG. 3

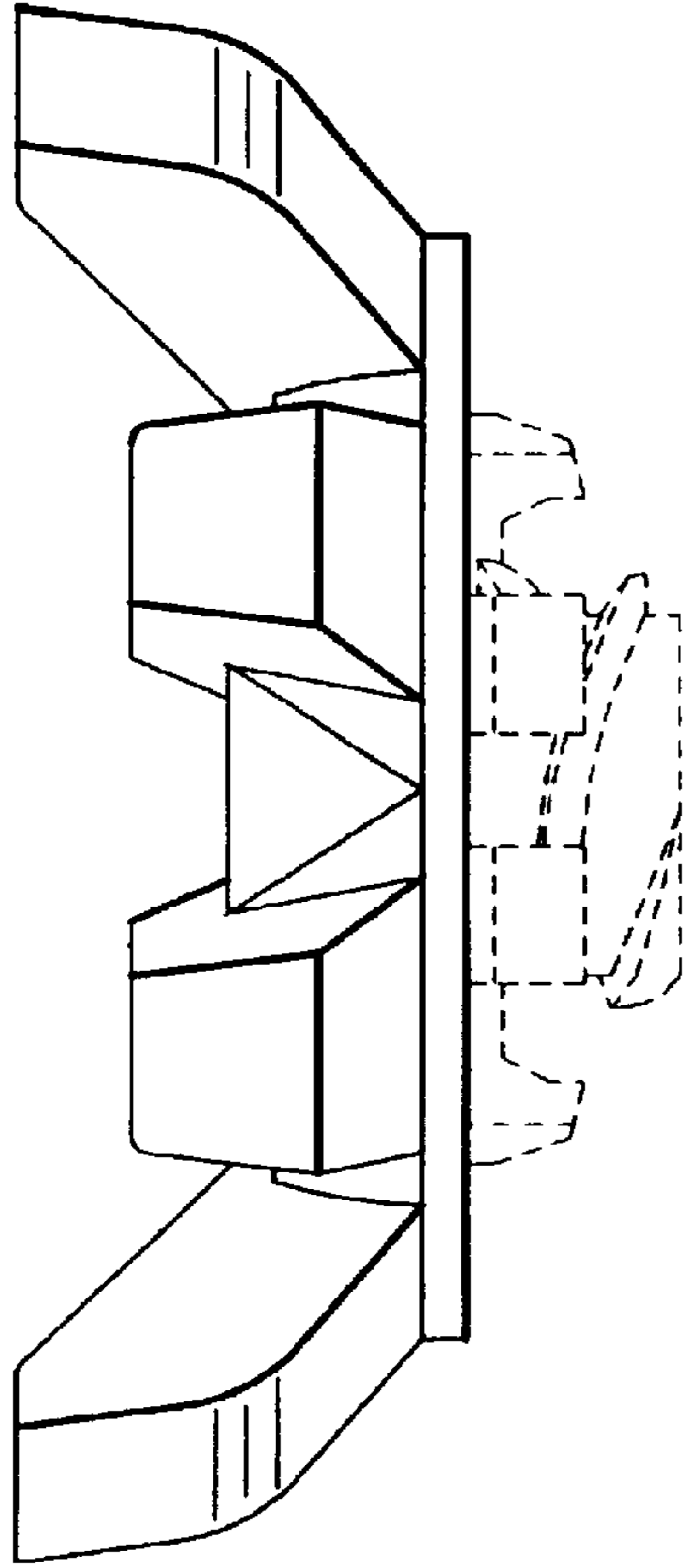


FIG. 5

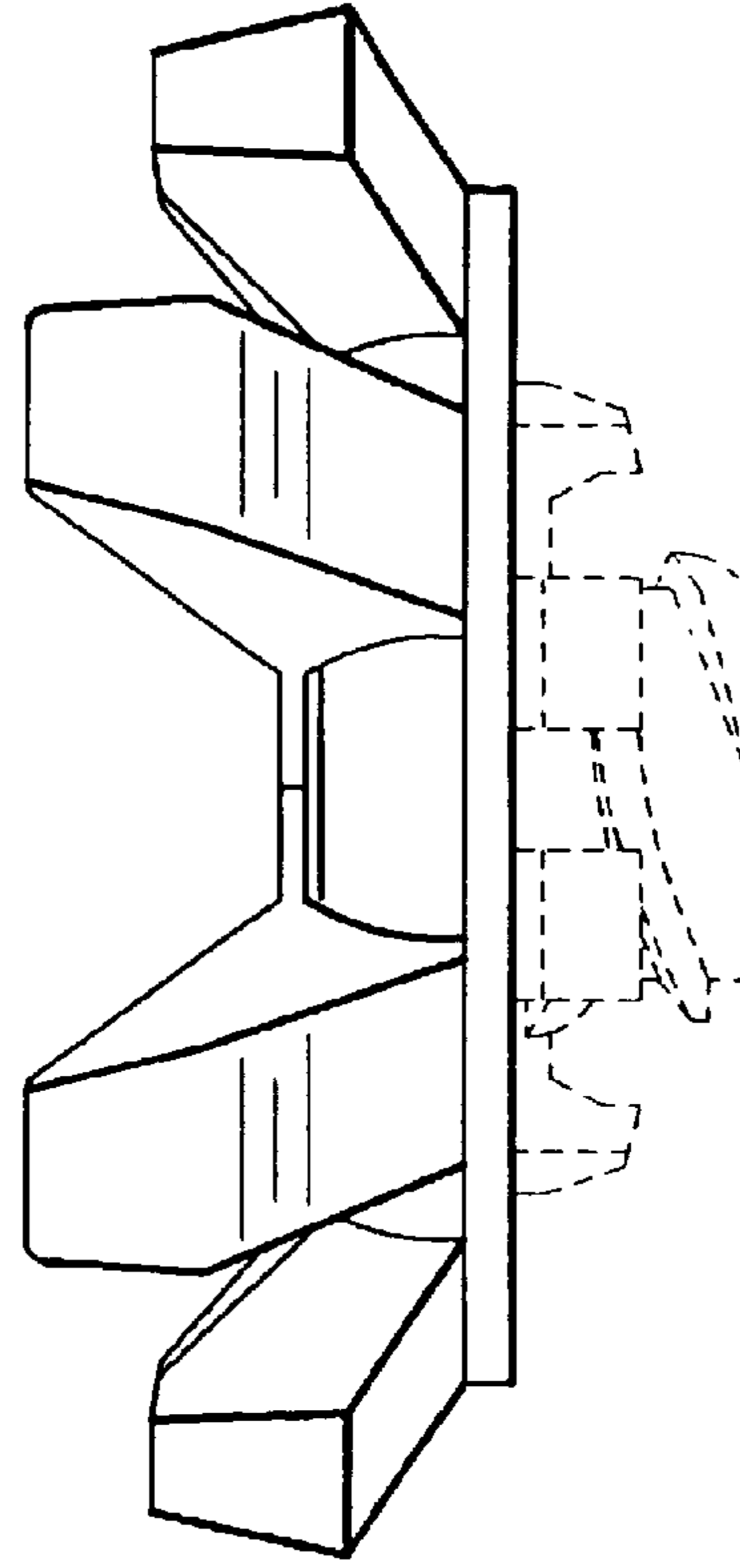


FIG. 7

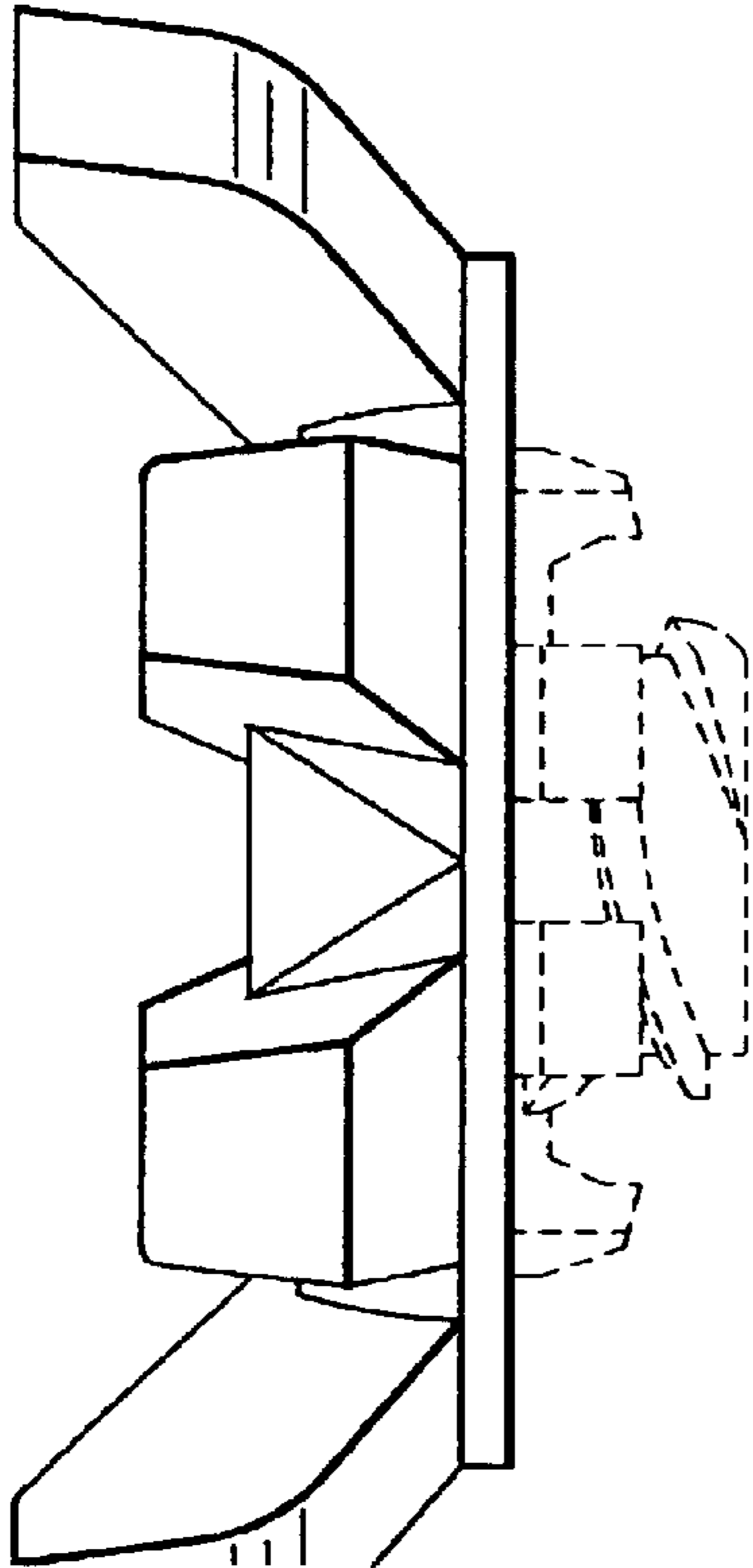


FIG. 4

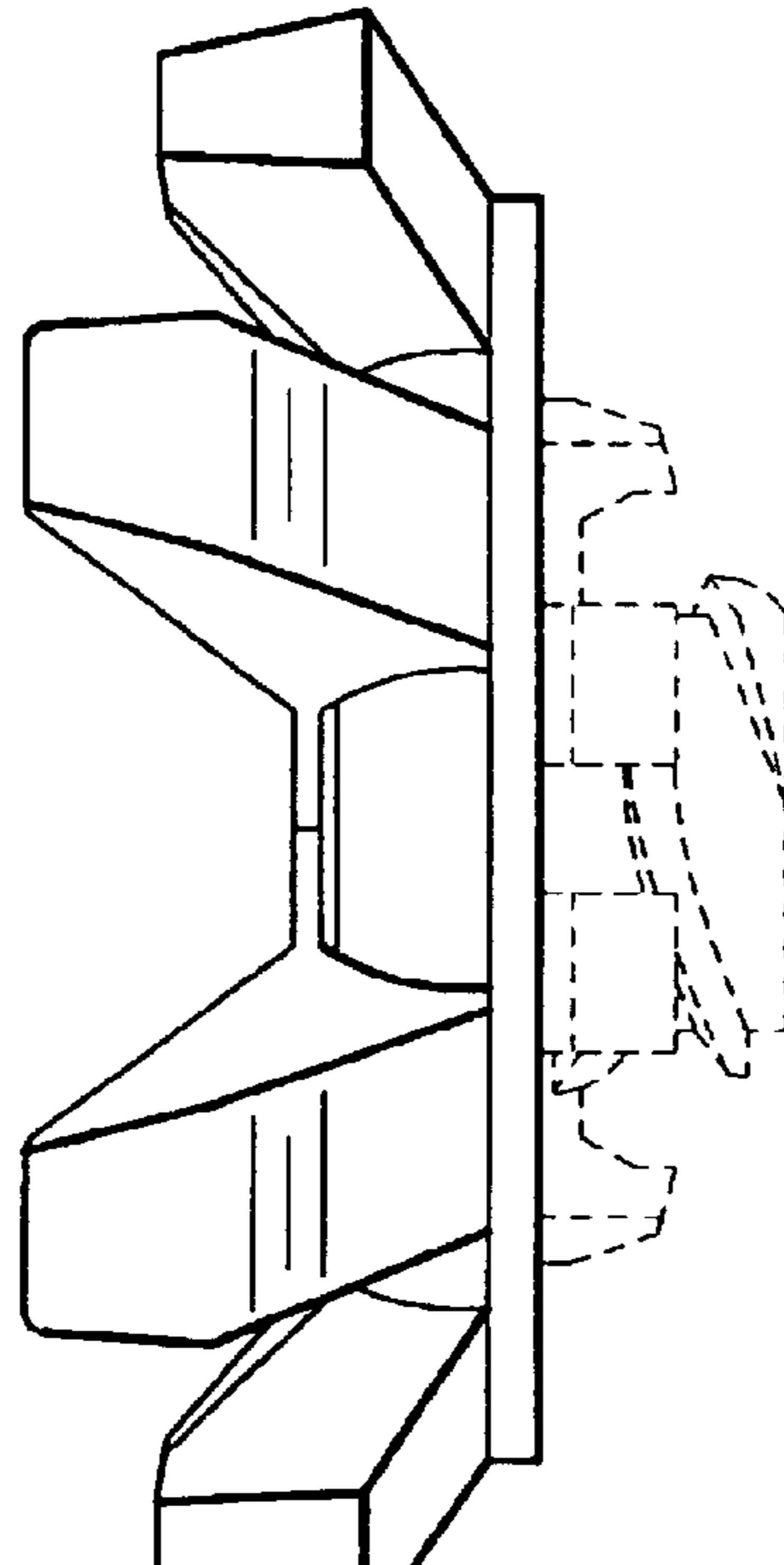


FIG. 6