



US00D515769S

(12) **United States Design Patent**
Ryan et al.

(10) **Patent No.:** **US D515,769 S**
(45) **Date of Patent:** **** Feb. 21, 2006**

(54) **TOP COVER FOR A MATERIAL HANDLING VEHICLE**

D506,859 S * 6/2005 Ryan et al. D34/35

* cited by examiner

(75) Inventors: **H. Scott Ryan**, Skaneateles, NY (US);
Douglas M. Russell, Syracuse, NY (US);
David L. Fergot, Syracuse, NY (US);
Kurt R. Werner, Auburn, NY (US);
Gregory W. Smiley, Greene, NY (US)

Primary Examiner—Cynthia E. Ramirez
(74) *Attorney, Agent, or Firm*—Quarles & Brady LLP

(73) Assignee: **The Raymond Corporation**, Greene, NY (US)

(57) **CLAIM**

The ornamental design for a top cover for a material handling vehicle, as shown and described.

(**) Term: **14 Years**

DESCRIPTION

(21) Appl. No.: **29/199,247**

In a preferred embodiment, the nature of this product is as a top cover useful in connection with a material handling vehicle.

(22) Filed: **Feb. 12, 2004**

FIG. 1 is a top, left, front perspective view of a top cover for a material handling vehicle embodying our new design;

(51) **LOC (8) Cl.** **15-05**

(52) **U.S. Cl.** **D34/35; D34/37**

FIG. 2 is a front elevational view thereof;

(58) **Field of Classification Search** D34/28,

D34/35, 34, 37; 180/89.12, 299, 315; 187/222,

187/224; 280/43.12; 414/685, 679, 294

FIG. 3 is a top plan view thereof;

FIG. 4 is a left side elevational view thereof; and,

FIG. 5 is a right side elevational view thereof.

See application file for complete search history.

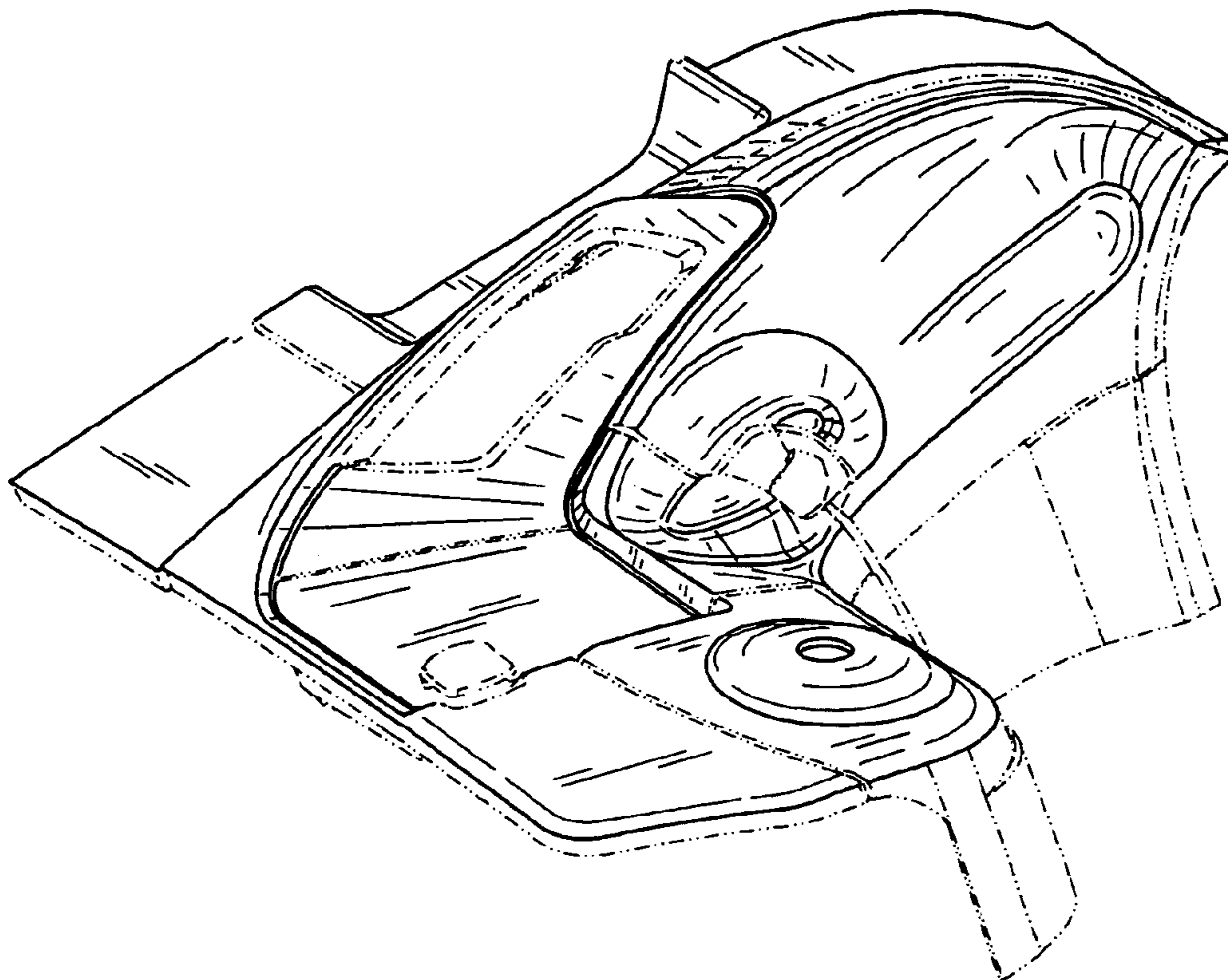
The broken line representations of various elements in FIGS. 1–5 are for the purpose of illustration only, and form no part of the claimed design.

(56) **References Cited**

U.S. PATENT DOCUMENTS

6,568,746 B2 * 5/2003 Sakyo et al. 296/190.08

1 Claim, 3 Drawing Sheets



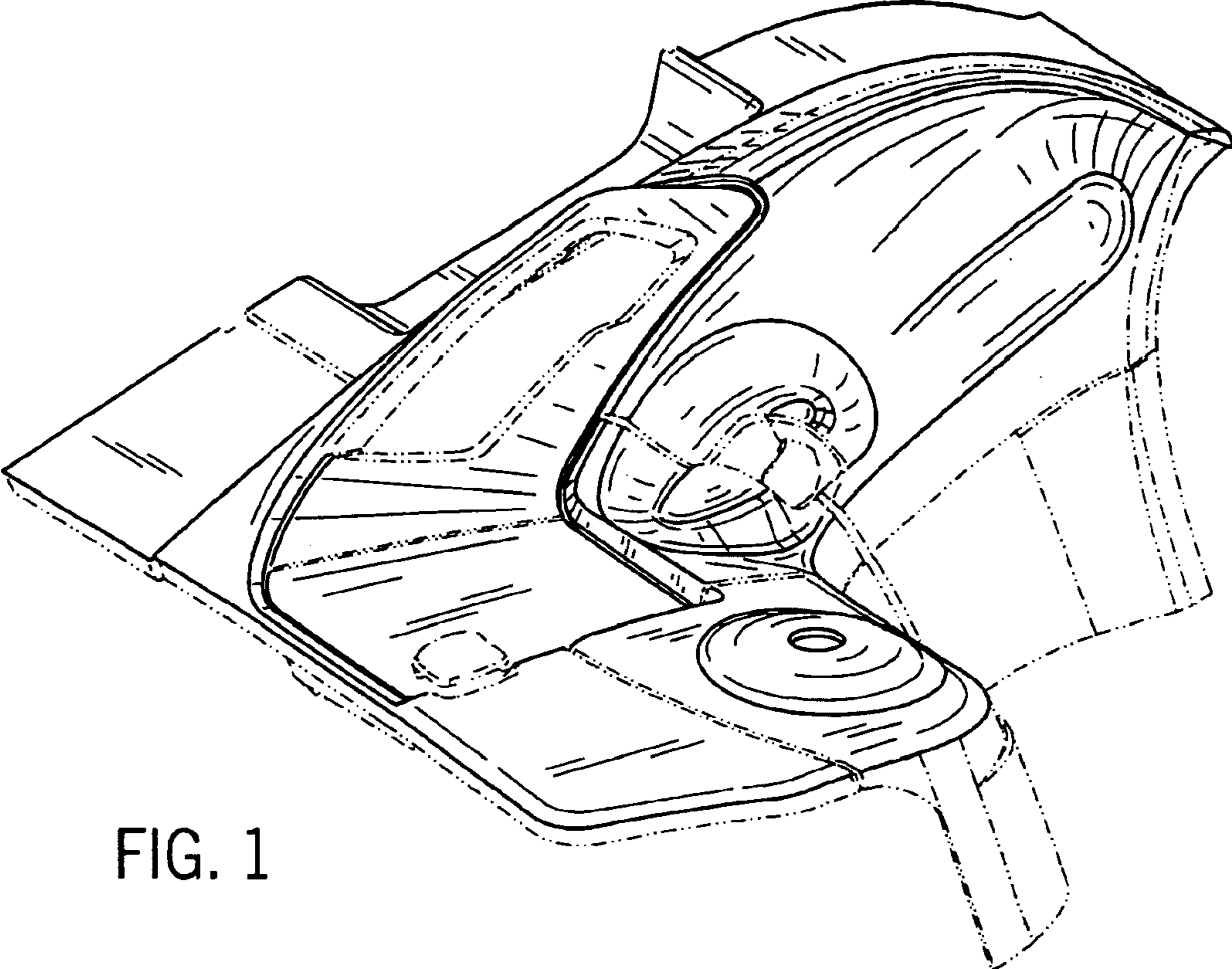


FIG. 1

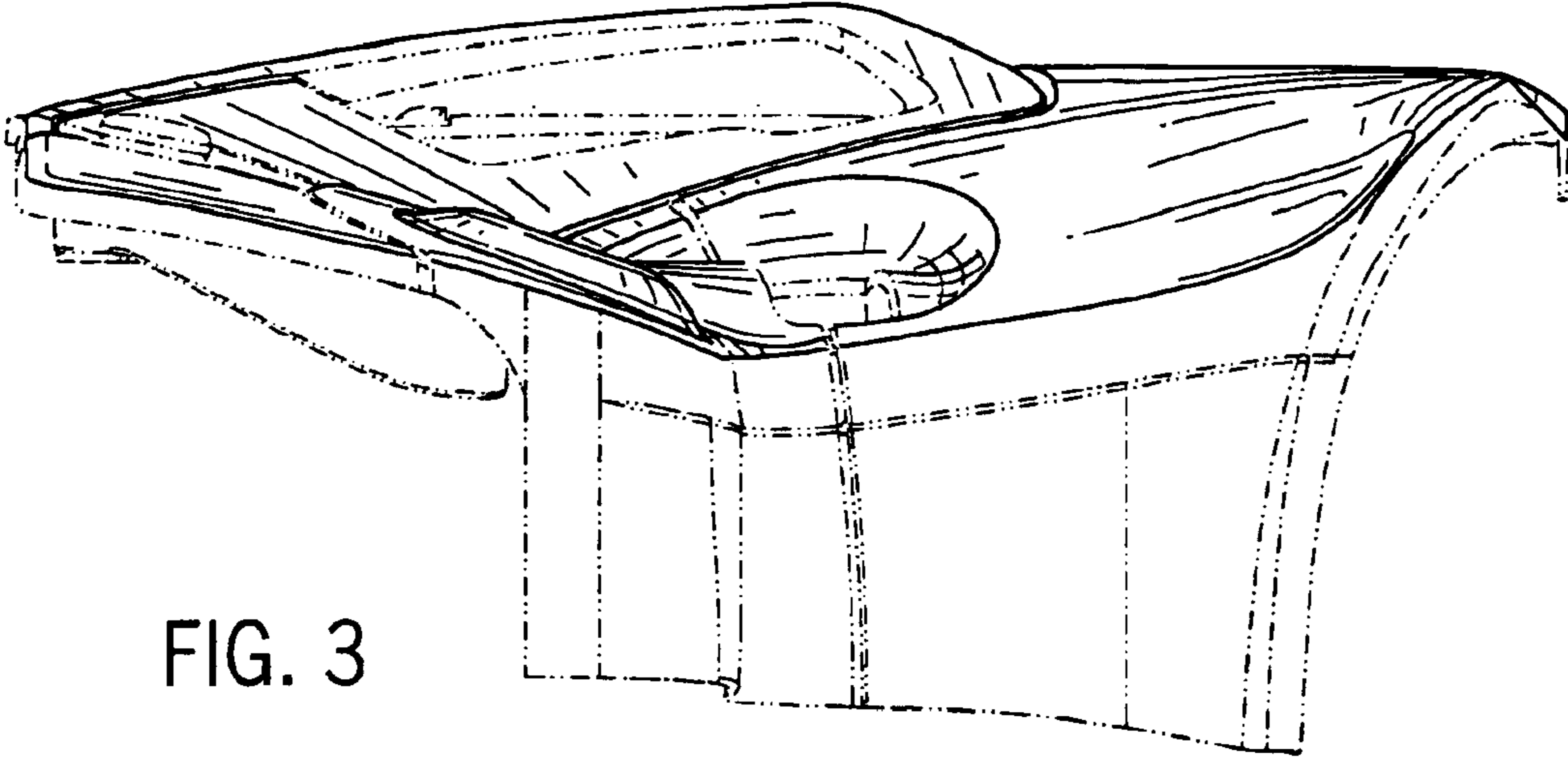


FIG. 3

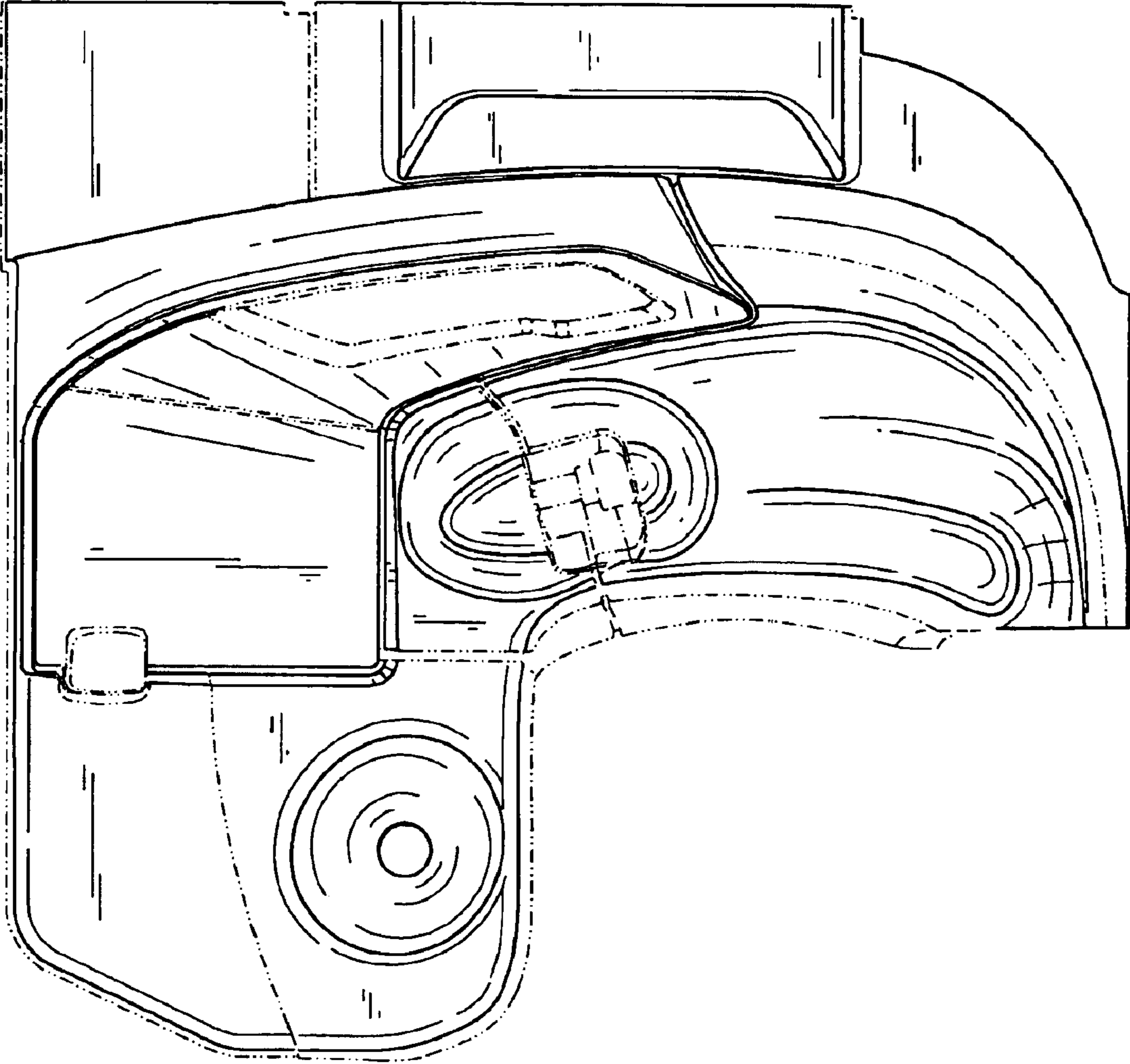


FIG. 2

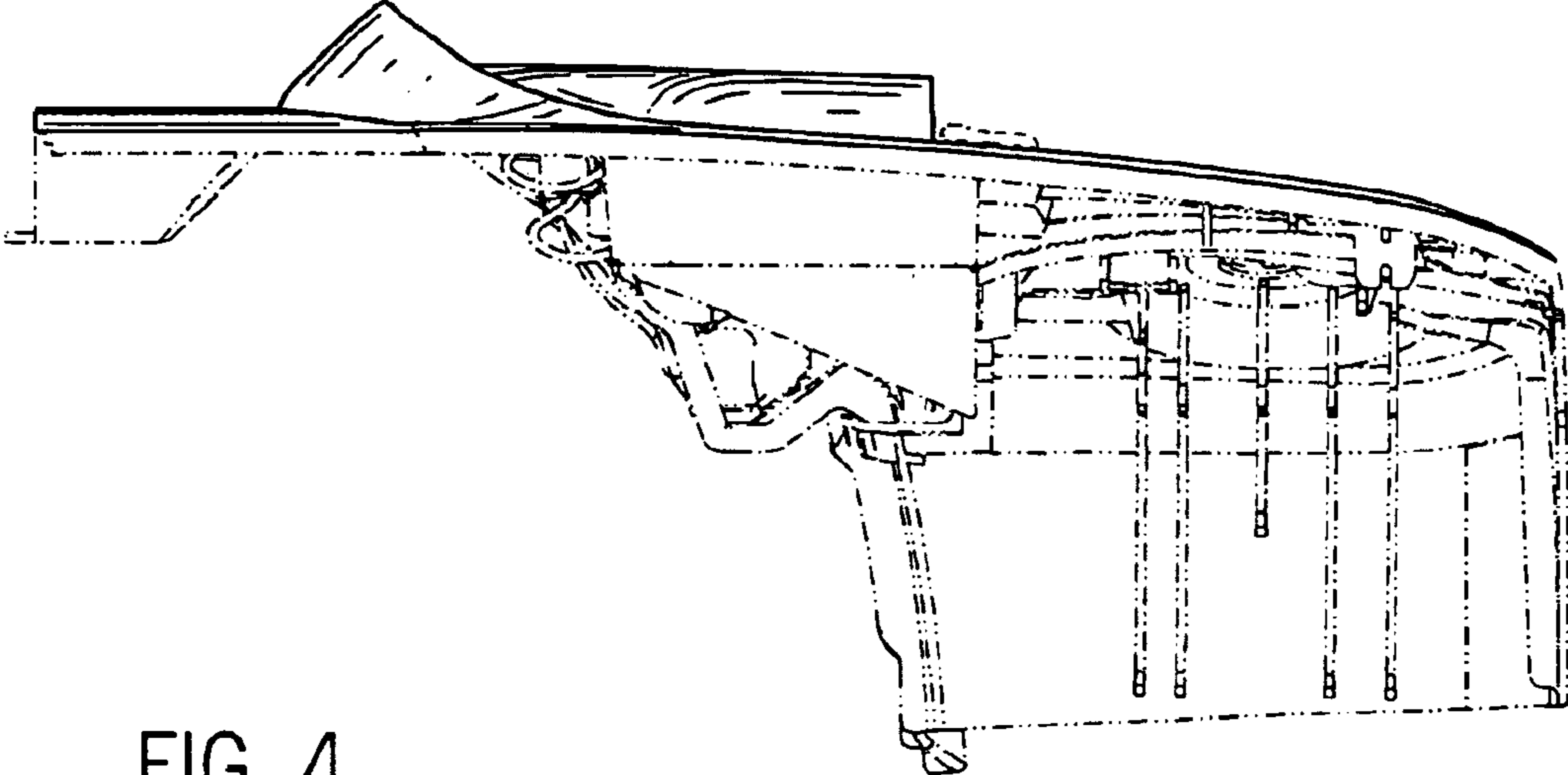


FIG. 4

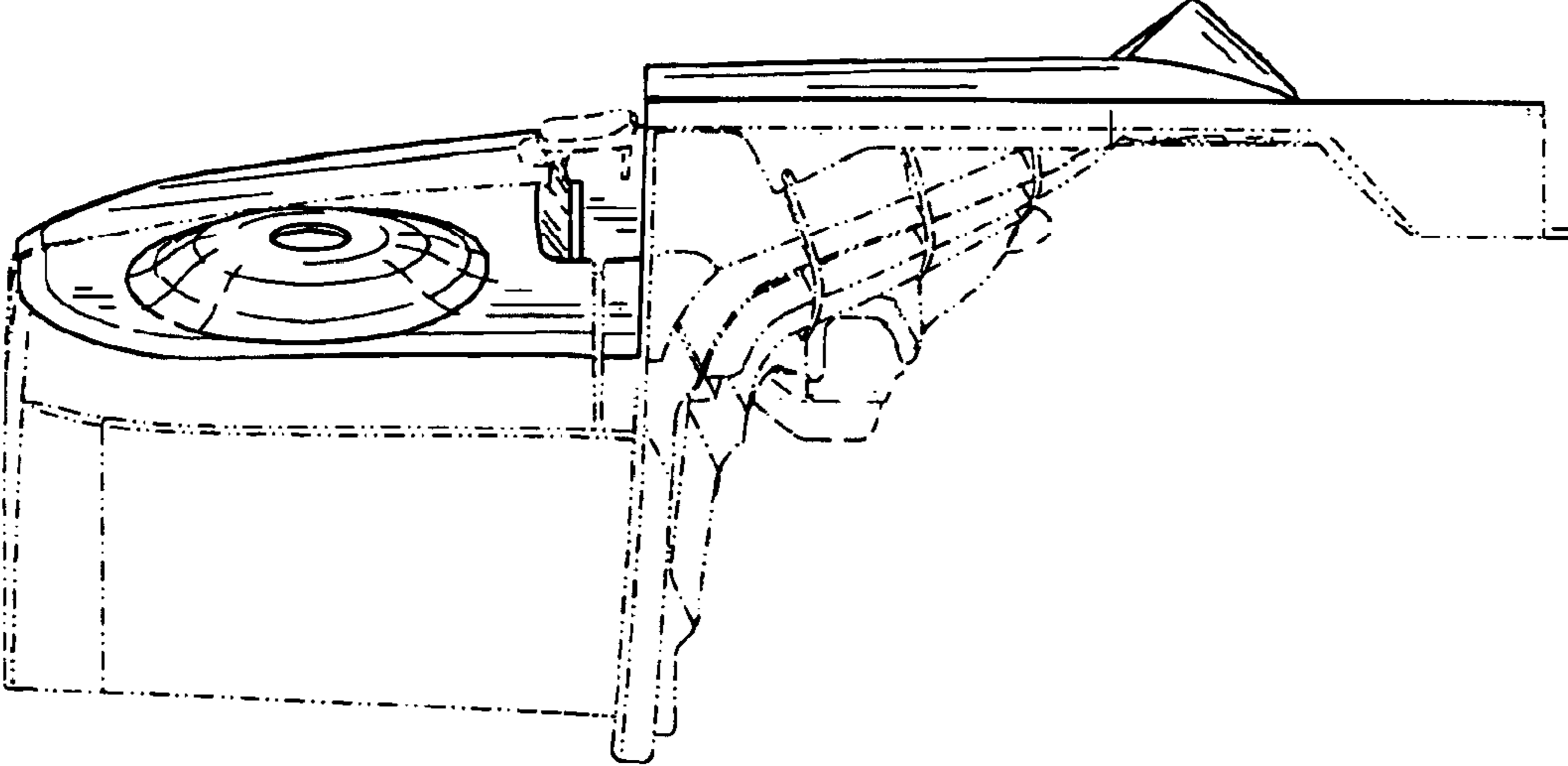


FIG. 5