

US00D515767S

(12) **United States Design Patent** (10) **Patent No.:** **US D515,767 S**
Arceta (45) **Date of Patent:** **** Feb. 21, 2006**

(54) **CART**
(75) **Inventor:** **Radmond Vincent Arceta**, Manassas, VA (US)
(73) **Assignee:** **Rubbermaid Commercial Products LLC**, Winchester, VA (US)
(**) **Term:** **14 Years**

D482,173 S 11/2003 Van LANDINGHAM, Jr.
D486,915 S * 2/2004 Warschewske et al. D24/185
D487,178 S * 2/2004 Cuzzocrea D34/17
D497,462 S * 10/2004 Ryan D34/19
D500,575 S * 1/2005 Lucas D34/12

(21) **Appl. No.:** **29/196,712**
(22) **Filed:** **Jan. 2, 2004**

FOREIGN PATENT DOCUMENTS

DE 195 40 058 C 6/1996
DE 297 01 427 U 3/1997
DE 196 42 523 A 5/1997
DE 196 49 982 6/1998
WO WO 01/97745 A 12/2001
WO WO 03/013307 A 2/2003

(51) **LOC (8) Cl.** **12-02**
(52) **U.S. Cl.** **D34/14; D34/12; D24/185**
(58) **Field of Classification Search** D34/12, D34/13, 14, 15, 19-21, 24-27; D24/185, D24/186, 107, 177; 312/249.12, 249.1; 280/47.19, 280/47.26, 79.3, 47.35, 47.34
See application file for complete search history.

OTHER PUBLICATIONS

QuickMedical, Midmark, Ritter Special Procedures Cart, <http://quickmedical.com/Midmark/casework/ritter/345.html>.

(Continued)

Primary Examiner—Cynthia E. Ramirez
(74) *Attorney, Agent, or Firm*—Foley & Lardner LLP

(56) **References Cited**

U.S. PATENT DOCUMENTS

D146,375 S 2/1947 Obrig
3,715,148 A 2/1973 Beals
3,910,659 A 10/1975 Peterson
D240,629 S * 7/1976 Cope D24/177
D349,594 S * 8/1994 Bonazza D34/20
D367,381 S 2/1996 Licari
D387,168 S * 12/1997 Edelman et al. D24/186
D389,917 S * 1/1998 Hornback et al. D24/186
D390,733 S 2/1998 Brunner et al.
5,841,361 A 11/1998 Hoffman
D402,529 S 12/1998 Husted
D410,230 S 5/1999 Witte
6,050,660 A * 4/2000 Gurley 312/249.1
6,073,942 A 6/2000 Heneveld
D438,952 S * 3/2001 Cimino et al. D24/107
D441,513 S * 5/2001 Mullen et al. D34/19
D458,780 S 6/2002 Siepmann et al.
D459,477 S * 6/2002 Stocks et al. D24/164
D462,674 S 9/2002 Siepmann et al.
D465,895 S * 11/2002 Pfefferle et al. D34/19
D468,420 S * 1/2003 Bolmsjo D24/107
D481,847 S 11/2003 Van LANDINGHAM, Jr.

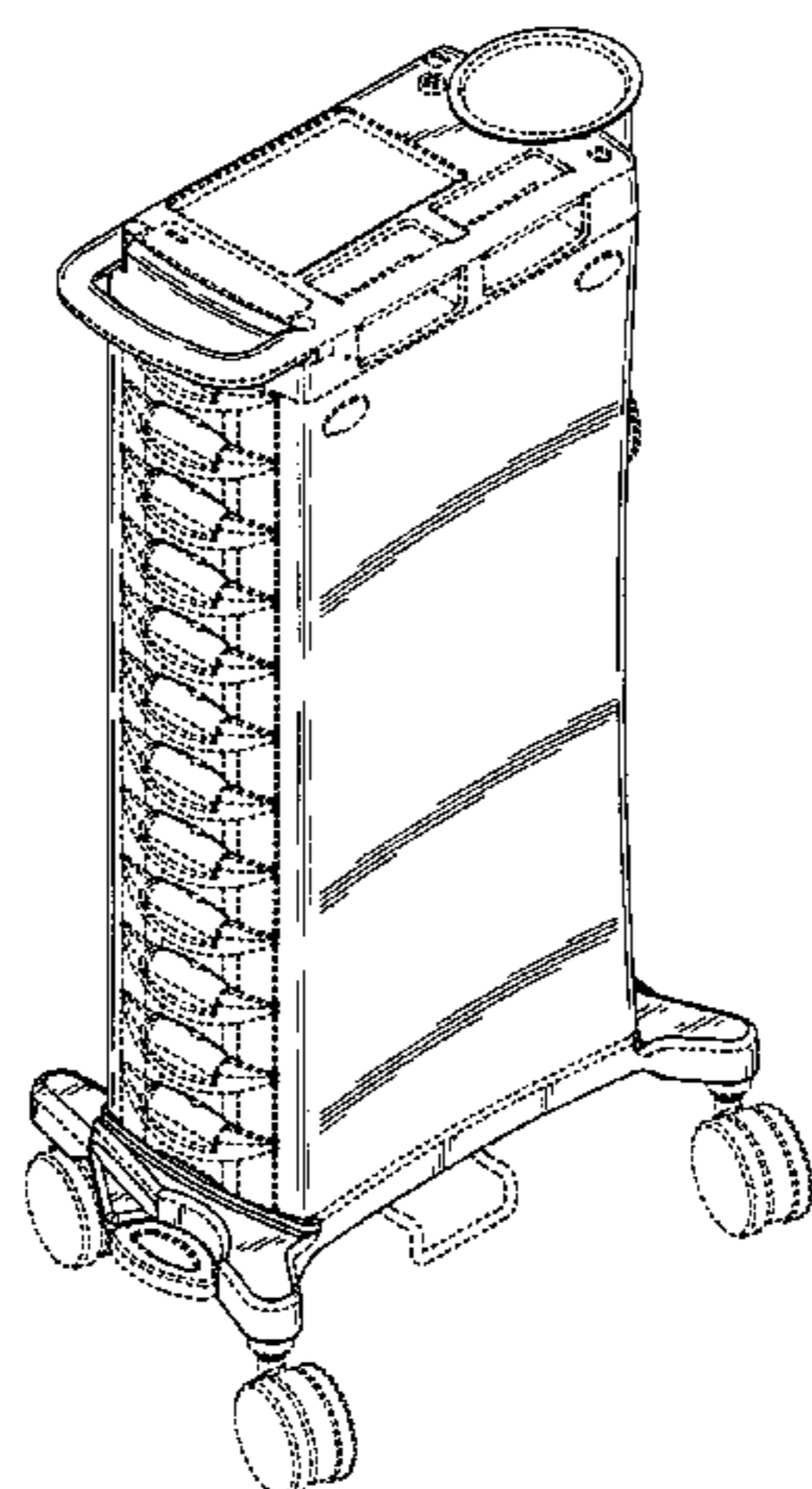
(57) **CLAIM**

The ornamental design for a cart, as shown and described.

DESCRIPTION

FIG. 1 is a perspective view of an embodiment of a cart according to my new design;
FIG. 2 is a left side elevational view of the cart shown in FIG. 1;
FIG. 3 is a right side elevational view of the cart shown in FIG. 1;
FIG. 4 is a front elevational view of the cart shown in FIG. 1;
FIG. 5 is a rear elevational view of the cart shown in FIG. 1;
FIG. 6 is a top plan view of the cart shown in FIG. 1; and, FIG. 7 is a bottom plan view of the cart shown in FIG. 1. The broken line showing of some elements in the figures is for illustrative purposes only and forms no part of the claimed design.

1 Claim, 6 Drawing Sheets



OTHER PUBLICATIONS

Lionville Systems, Inc., Carts::Healthcare, http://www.lionville.com/carts_healthcare.html.

Lionville Systems, Inc., Carts::Mobile Computing, http://www.lionville.com/carts_mobile.html.

Lionville Systems, Inc., Carts::Anesthesia, http://www.lionville.com/carts_anesthesia.html.

Lionville Systems, Inc., Carts::Pharmacy Transfer, http://www.lionville.com/carts_pharmatransfer.html.

Lionville Systems, Inc., Carts::Extended Care, http://www.lionville.com/carts_extendedcare.html.

Lionville Systems, Inc., Carts, <http://www.lionville.com>.

Lionville Systems, Inc., Carts::Acute Care, http://www.lionville.com/carts_acute.html.

Lionville Systems, Inc., Carts, <http://www.lionville.com/carts.html>.

Lionville Systems, Inc., iCart™ Brochure.

Lionville Systems, Inc., Medication Carts Brochure (400 Series, 600 Series, 800 Series).

Lionville Systems, Inc., Anesthesia Cart Brochure.

Lionville Systems, Inc., Medication Carts Brochure.

Lionville Systems, Inc., Healthcare Carts Brochure.

* cited by examiner

Fig. 1

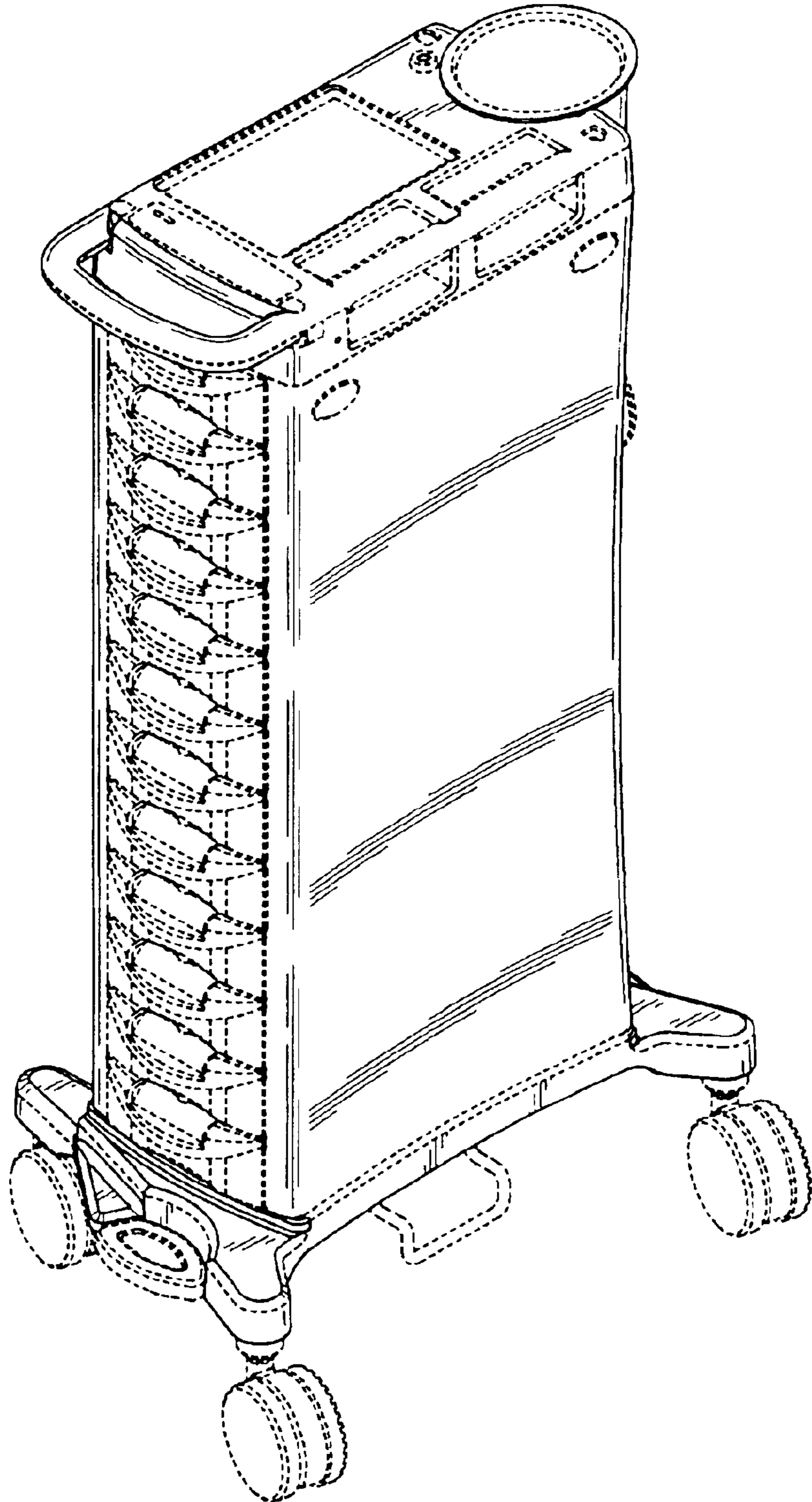


Fig. 2

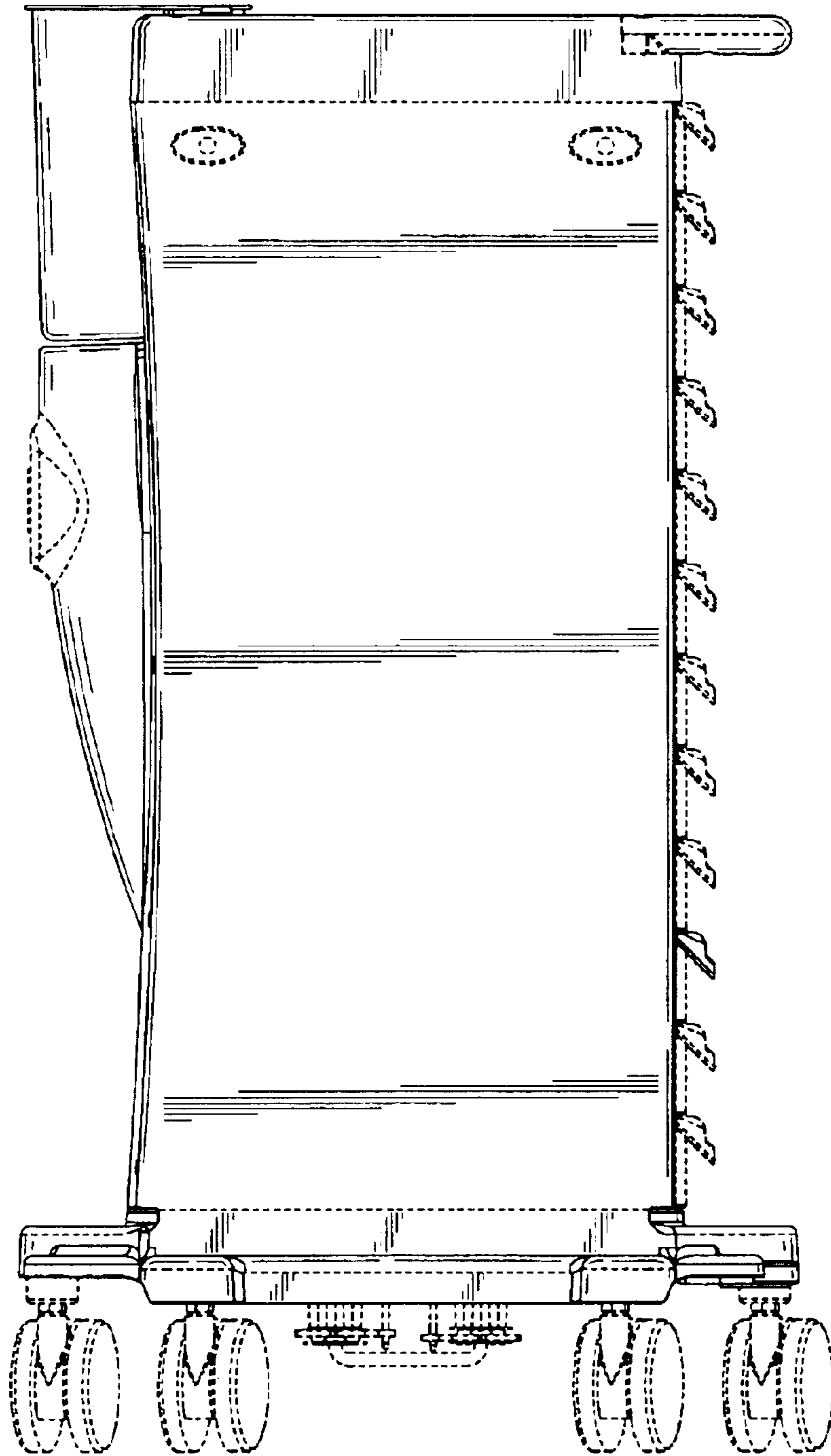


Fig. 3

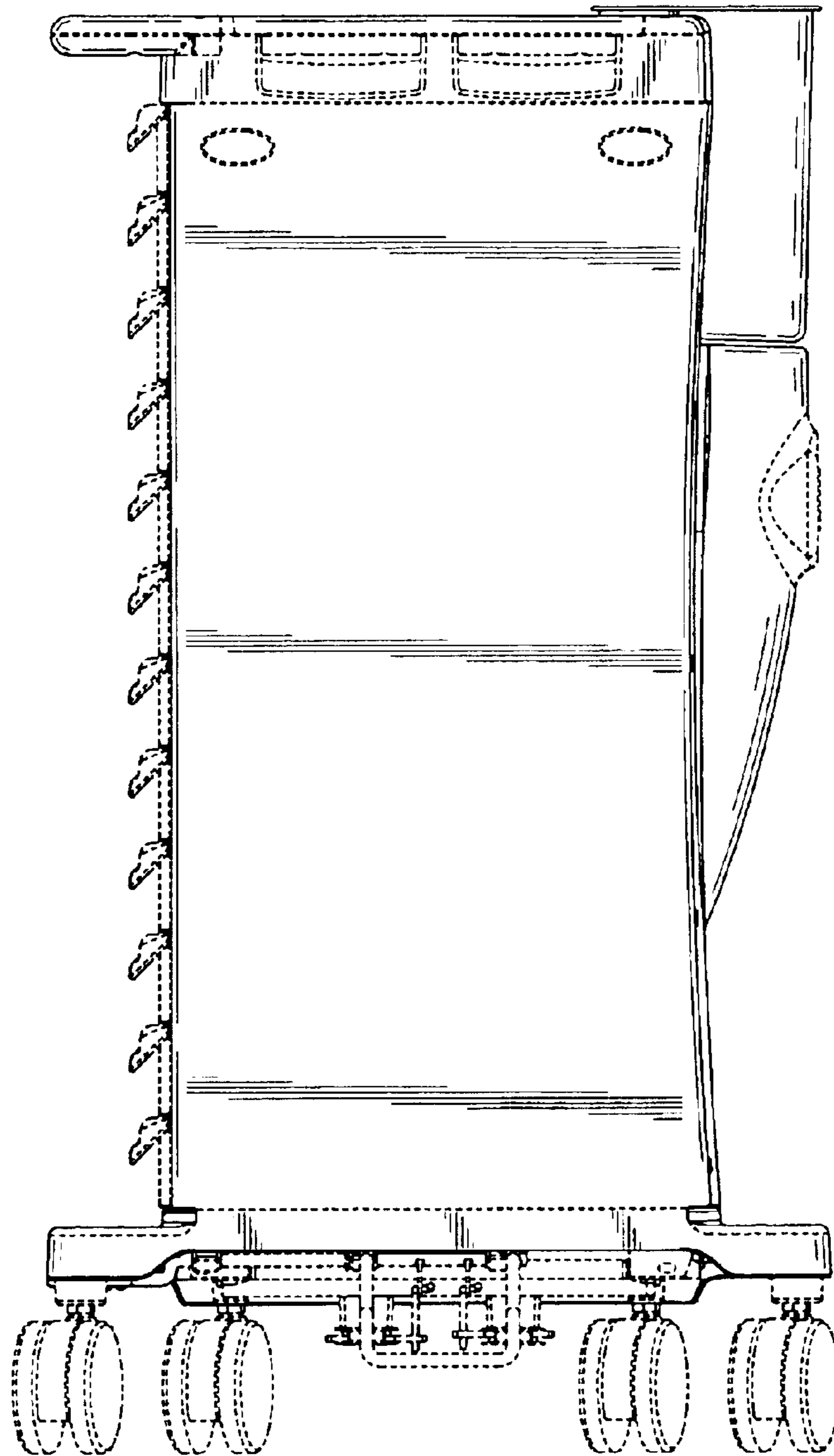


Fig. 4

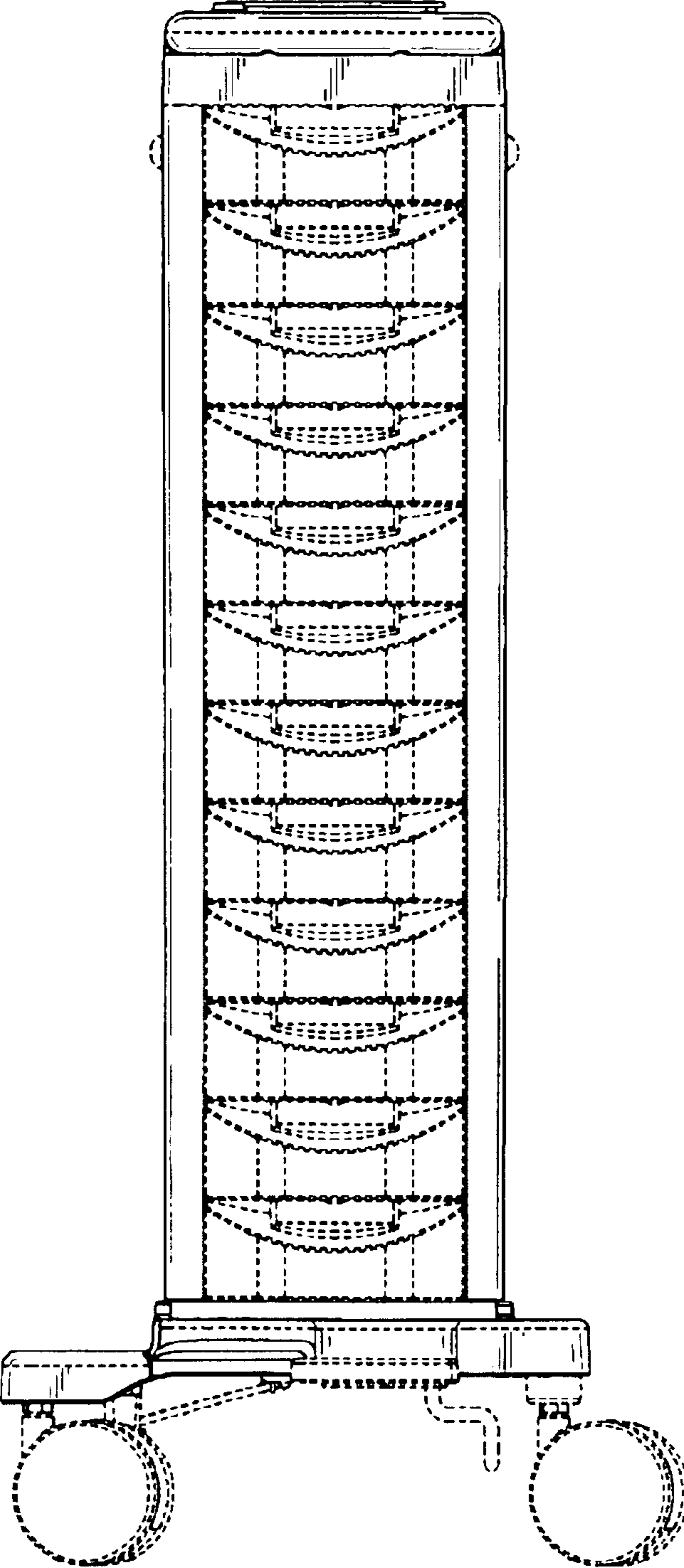


Fig. 5

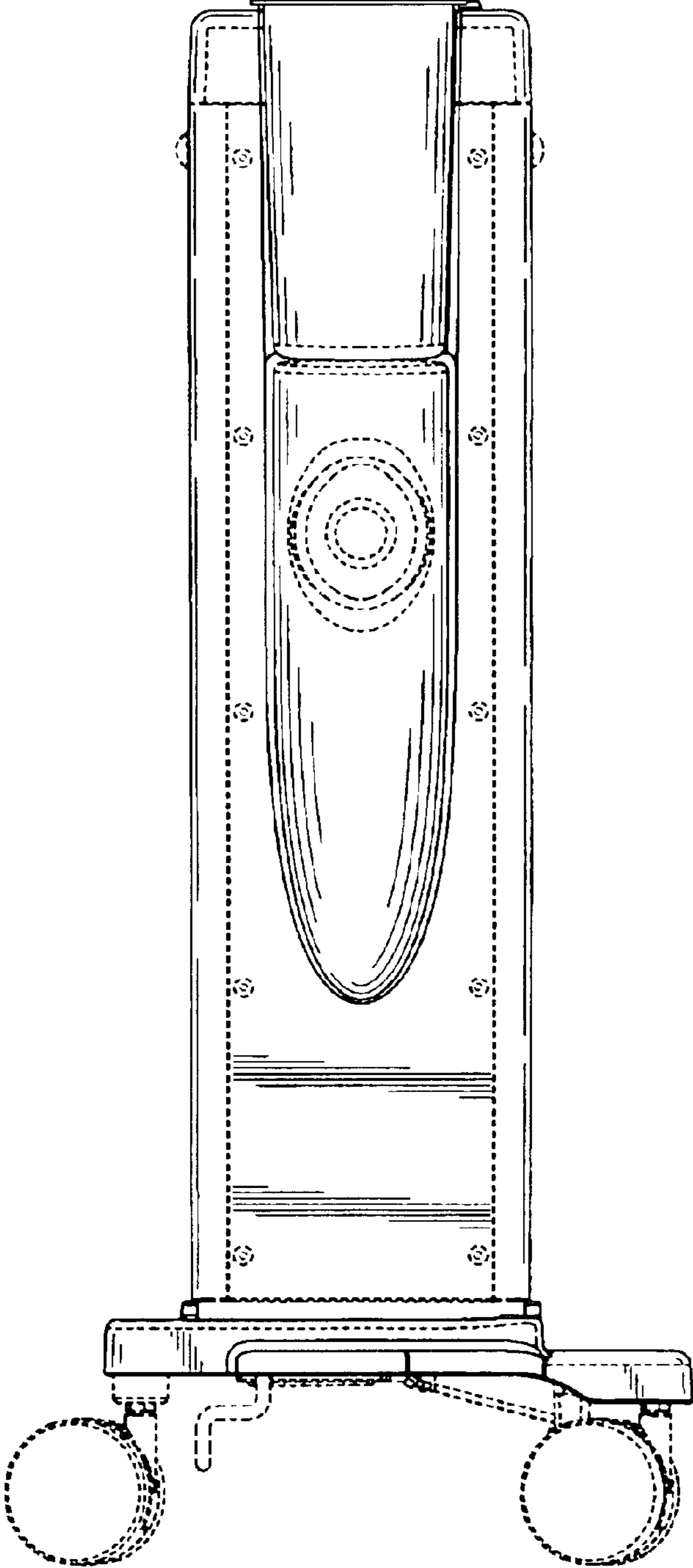


Fig. 6

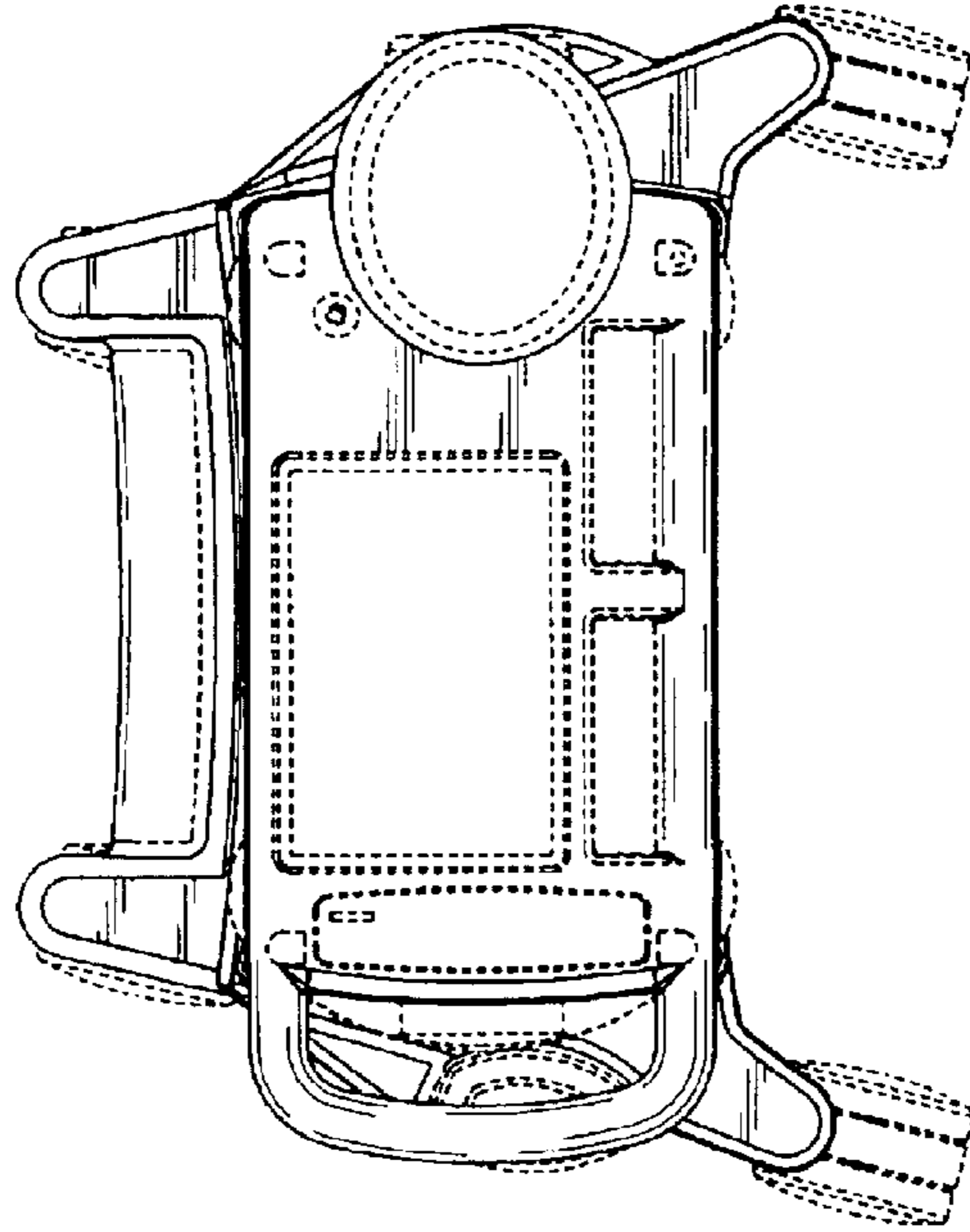


Fig. 7

