



US00D515766S

(12) **United States Design Patent**
Dunbar

(10) **Patent No.:** **US D515,766 S**
(45) **Date of Patent:** **** Feb. 21, 2006**

(54) **WHEELBARROW BRACKET**

6,286,631 B1 * 9/2001 Kimble 188/19

(76) **Inventor:** **Kenneth Barrie Dunbar**, P.O. Box 69,
Sandringham, Victoria (AU), 3191

* cited by examiner

(**) **Term:** **14 Years**

Primary Examiner—Holly H. Baynham
(74) *Attorney, Agent, or Firm*—Dickstein, Shapiro, Morin
& Oshinsky, LLP.

(21) **Appl. No.:** **29/168,635**

(22) **Filed:** **Oct. 4, 2002**

(57) **CLAIM**

(30) **Foreign Application Priority Data**

The ornamental design for a wheelbarrow bracket, as shown
and described.

Apr. 4, 2002 (GB) 3002676
Apr. 4, 2002 (GB) 3002677

DESCRIPTION

(51) **LOC (8) Cl.** **12-02**

(52) **U.S. Cl.** **D34/12**

(58) **Field of Classification Search** D34/12-27;
280/47.31, 653; 188/19

FIG. 1 is a front perspective view of a first embodiment;
FIG. 2 is a rear perspective view of the first embodiment;
and,
FIG. 3 is a detailed, enlarged view of the sleeves and flexible
member of FIGS. 1 and 2.

See application file for complete search history.

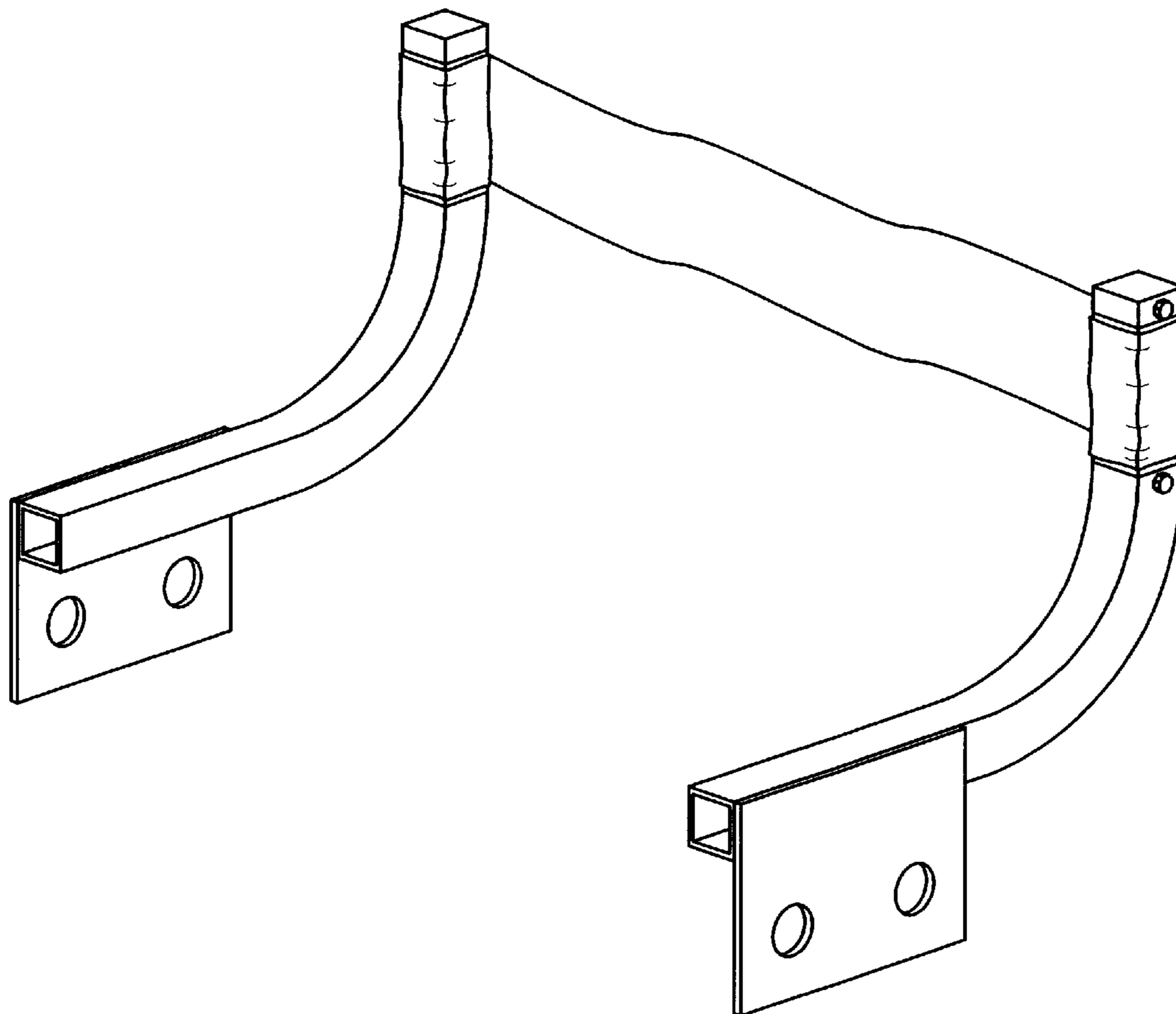
The sleeve is shown separate from the views of FIGS. 1 and
2 for clarity of illustration.

(56) **References Cited**

U.S. PATENT DOCUMENTS

5,242,177 A * 9/1993 Morris 280/47.31

1 Claim, 3 Drawing Sheets



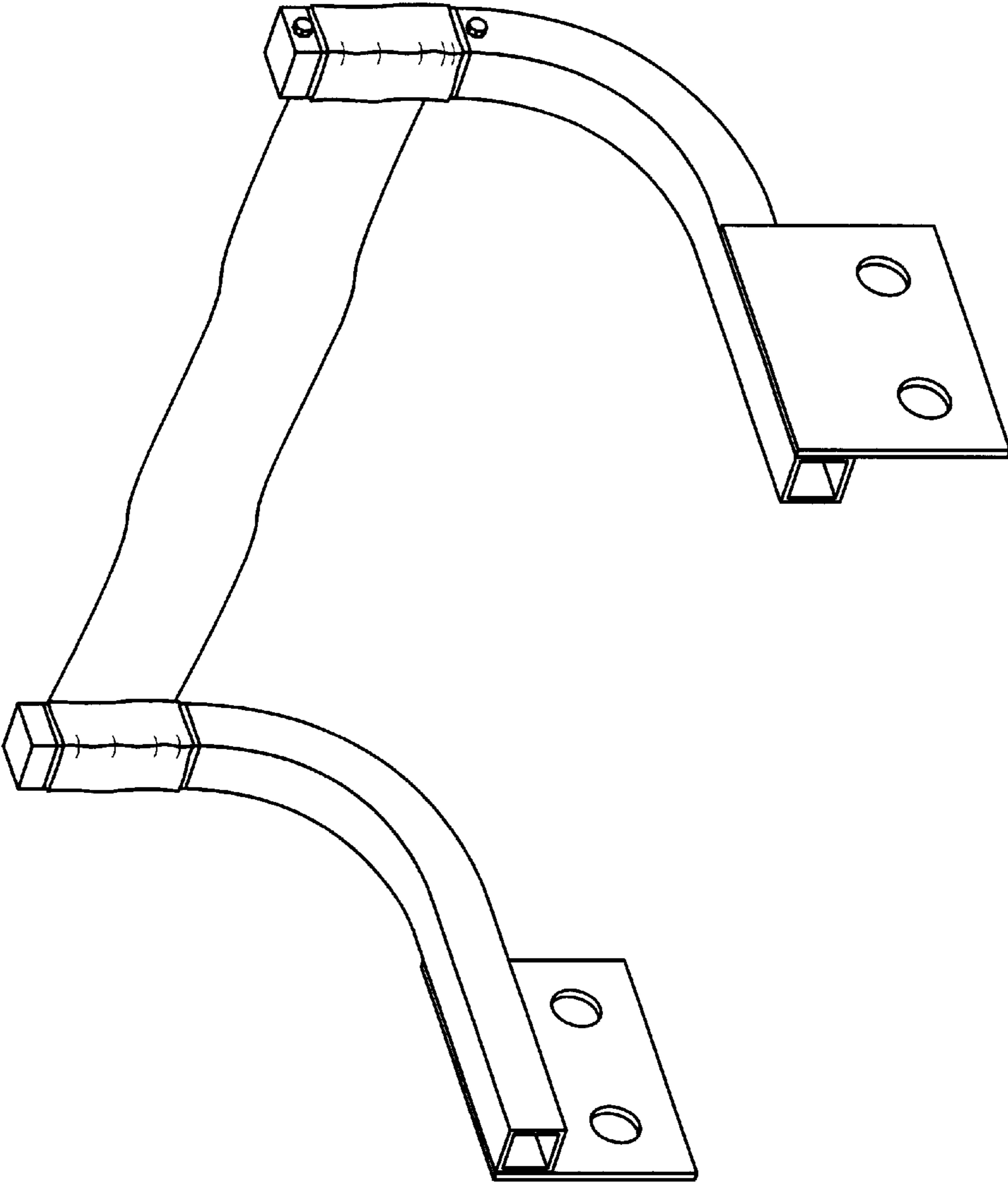


FIG. 1

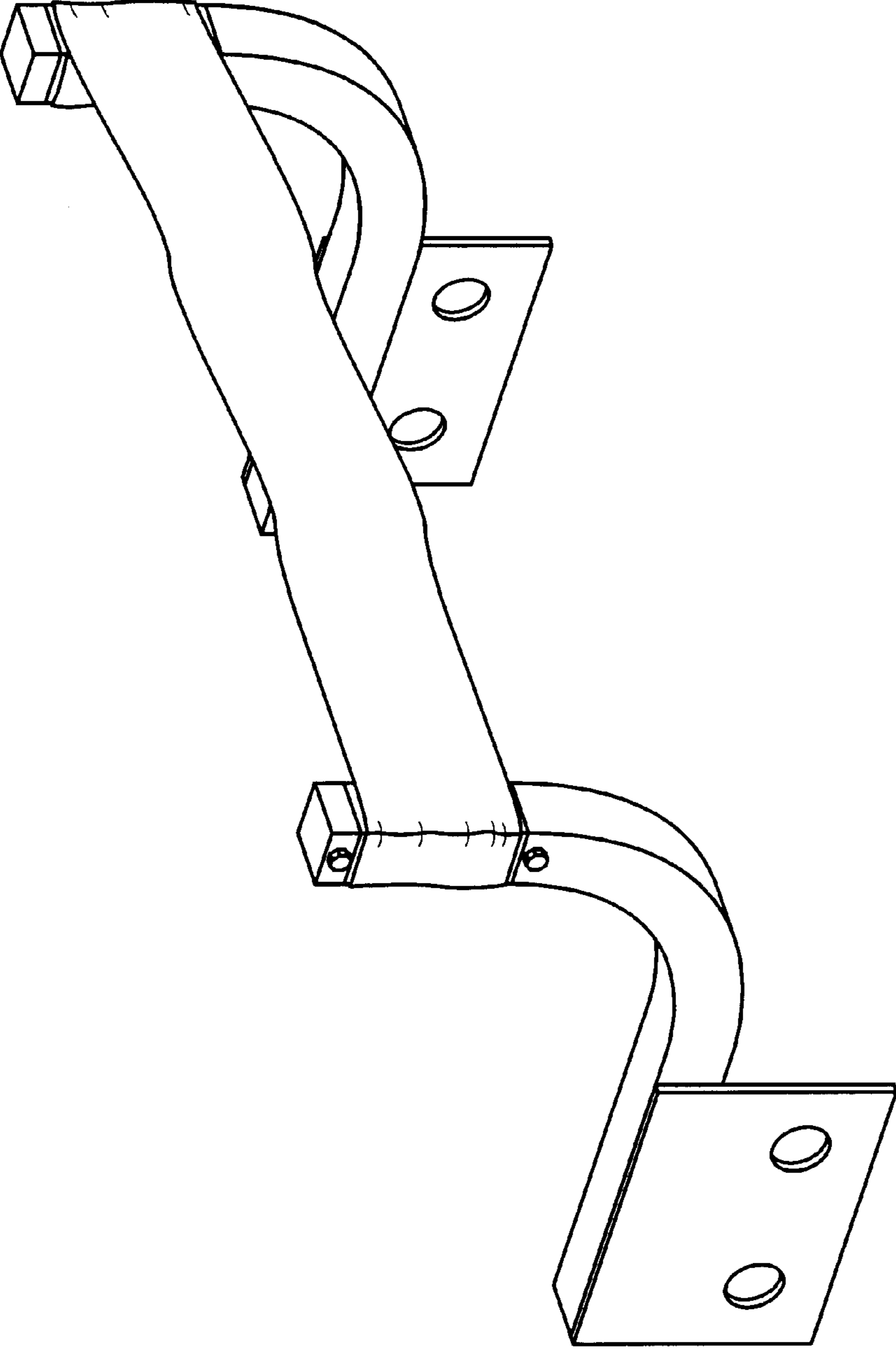


FIG. 2

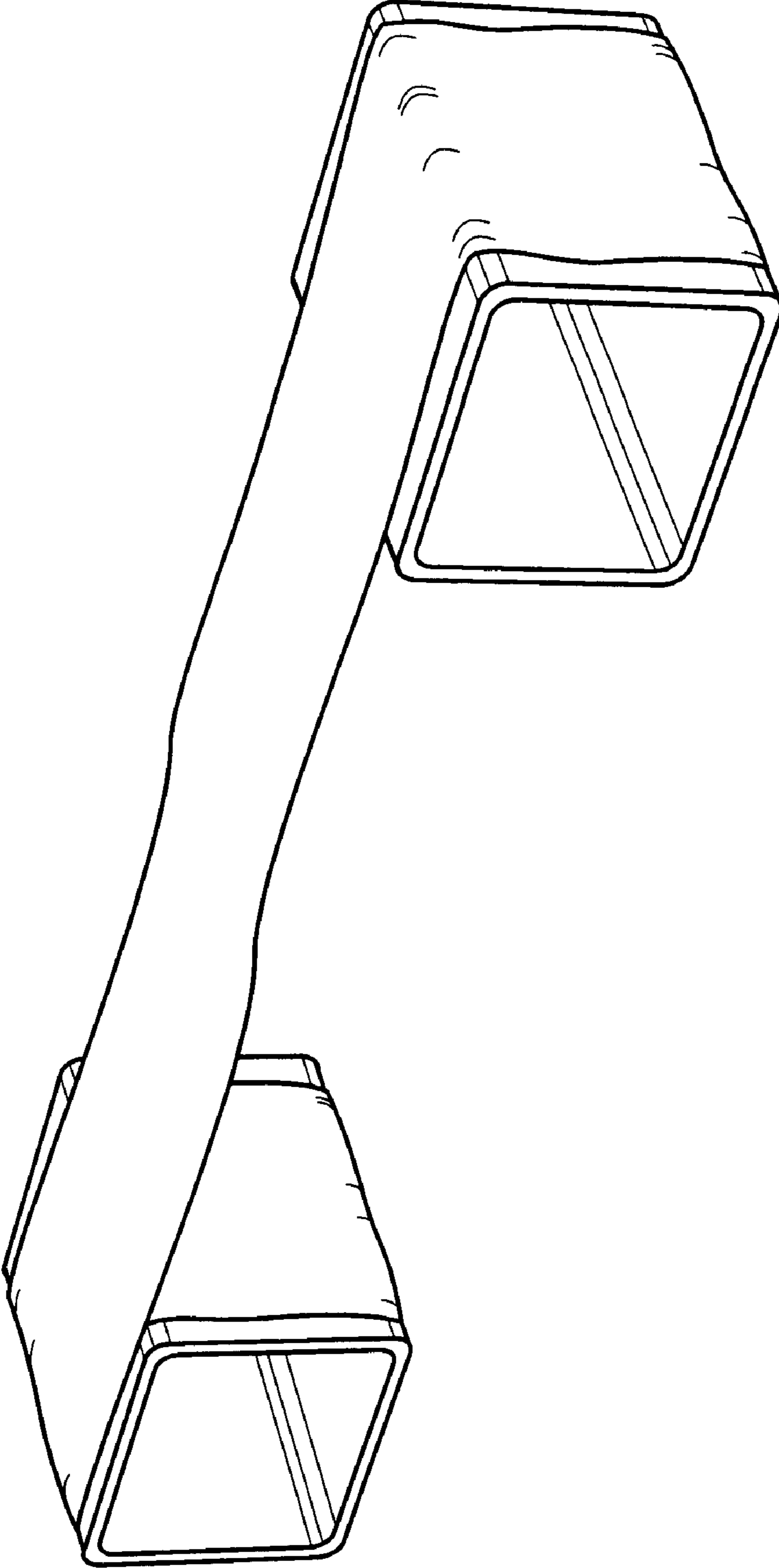


FIG. 3