



US00D515761S

(12) **United States Design Patent**  
**Slight et al.**

(10) **Patent No.: US D515,761 S**  
(45) **Date of Patent: \*\* Feb. 21, 2006**

(54) **PAINT DEVICE**

(75) Inventors: **Phillip A. Slight**, Petaluma, CA (US);  
**Allan W. Hermansen**, Petaluma, CA (US)

(73) Assignee: **Hans Plads, Inc.**, Petaluma, CA (US)

(\*\*) Term: **14 Years**

(21) Appl. No.: **29/177,180**

(22) Filed: **Mar. 6, 2003**

(51) **LOC (8) Cl.** ..... **07-07**

(52) **U.S. Cl.** ..... **D32/53.1; D4/116; D9/504; D9/557**

(58) **Field of Classification Search** ..... **D9/557, D9/723, 725, 726, 500, 503, 504, 529, 549; 220/200, 213, 288, 600, 604, 669, 736, 796; D4/116, 121, 122, 135; D32/53, 53.1; 15/167.3, 15/257.05, 257.06; 132/73, 74.5, 317, 320; 401/121, 122, 126, 127, 129, 130**  
See application file for complete search history.

(56) **References Cited**

**U.S. PATENT DOCUMENTS**

891,262	A	*	6/1908	Jenkins	.....	401/121
1,553,705	A	*	9/1925	Maxedon	.....	401/121
3,895,877	A		7/1975	Fomby		
4,200,949	A	*	5/1980	Heniff, Jr.	.....	15/257.06
4,780,017	A	*	10/1988	Bradford	.....	401/126 X
D313,353	S	*	1/1991	Hart et al.	.....	D32/53.1 X
5,188,131	A	*	2/1993	Toll	.....	132/320 X
5,197,496	A	*	3/1993	Nakamura	.....	132/320 X

5,873,669	A	*	2/1999	Poore et al.	.....	401/122
6,190,075	B1		2/2001	Lewis		
6,238,116	B1	*	5/2001	Smith et al.	.....	401/122

**FOREIGN PATENT DOCUMENTS**

EP	0 900 534	A1	3/1999
GB	2 328 683	A	3/1999
JP	09206662	A	* 8/1997
JP	2002335873	A	* 11/2002

\* cited by examiner

*Primary Examiner*—Alan P. Douglas  
*Assistant Examiner*—Lavone D. Tabor

(74) *Attorney, Agent, or Firm*—Squire, Sanders & Dempsey L.L.P.

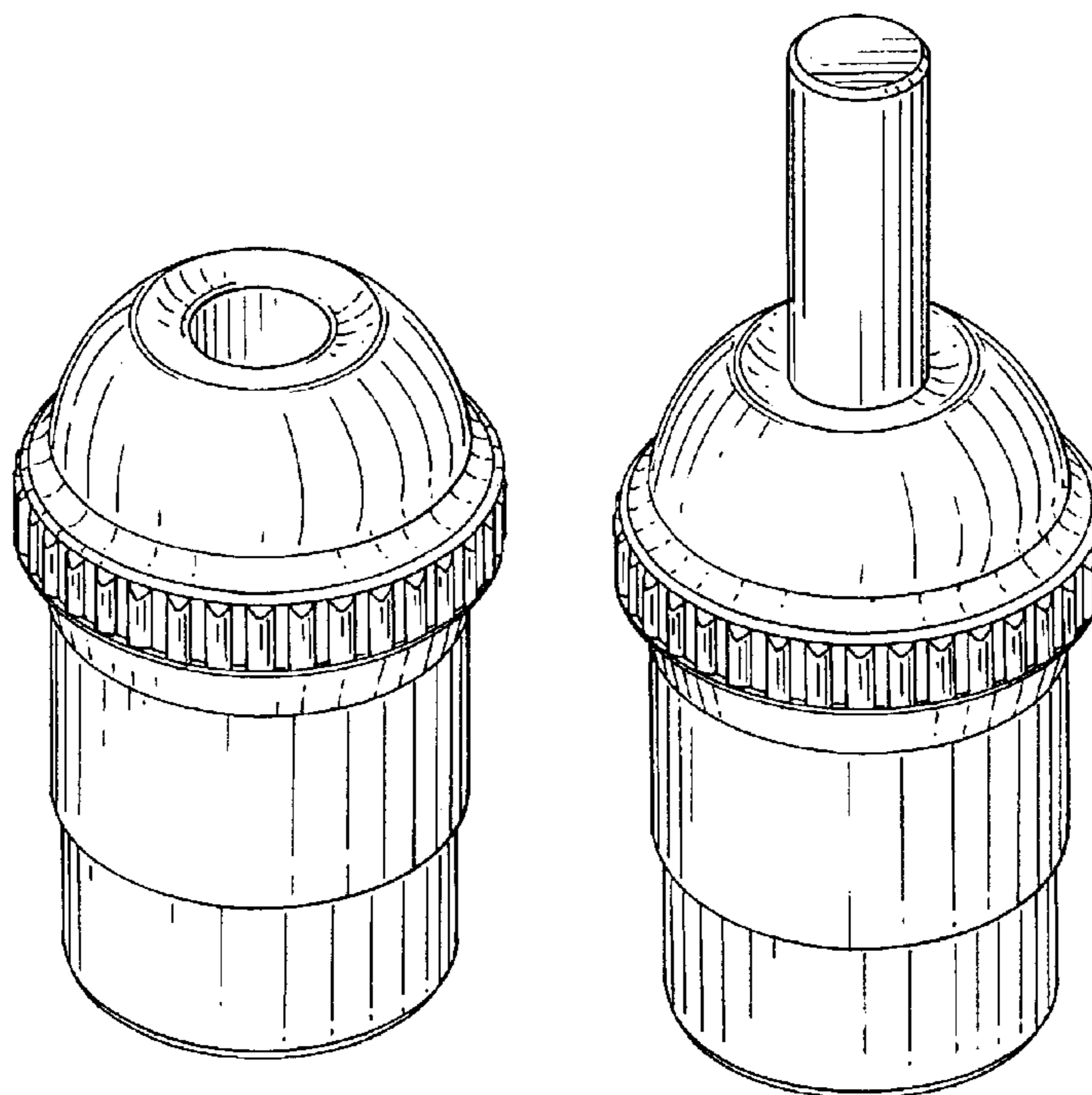
(57) **CLAIM**

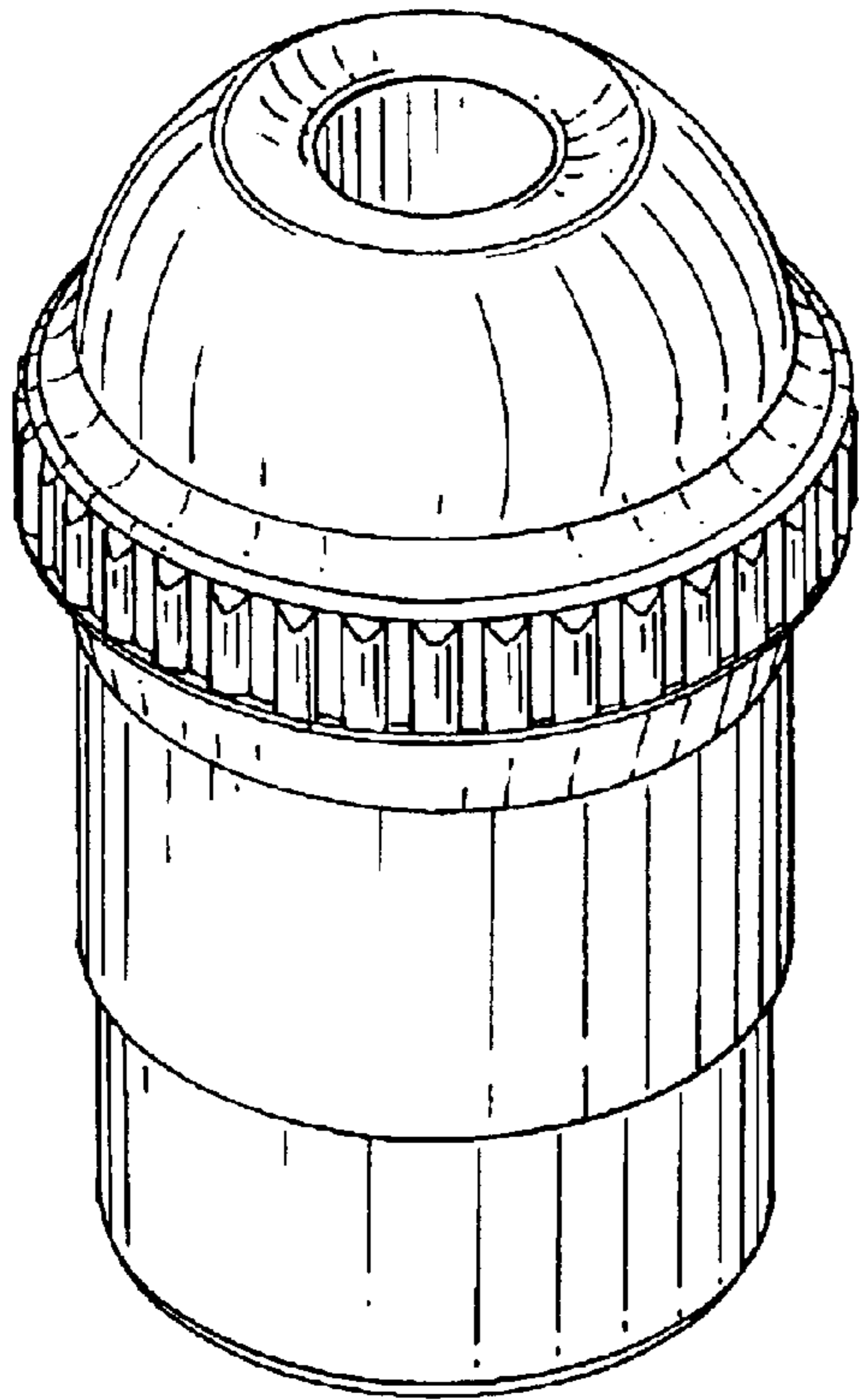
The ornamental design for a paint device, as shown and described.

**DESCRIPTION**

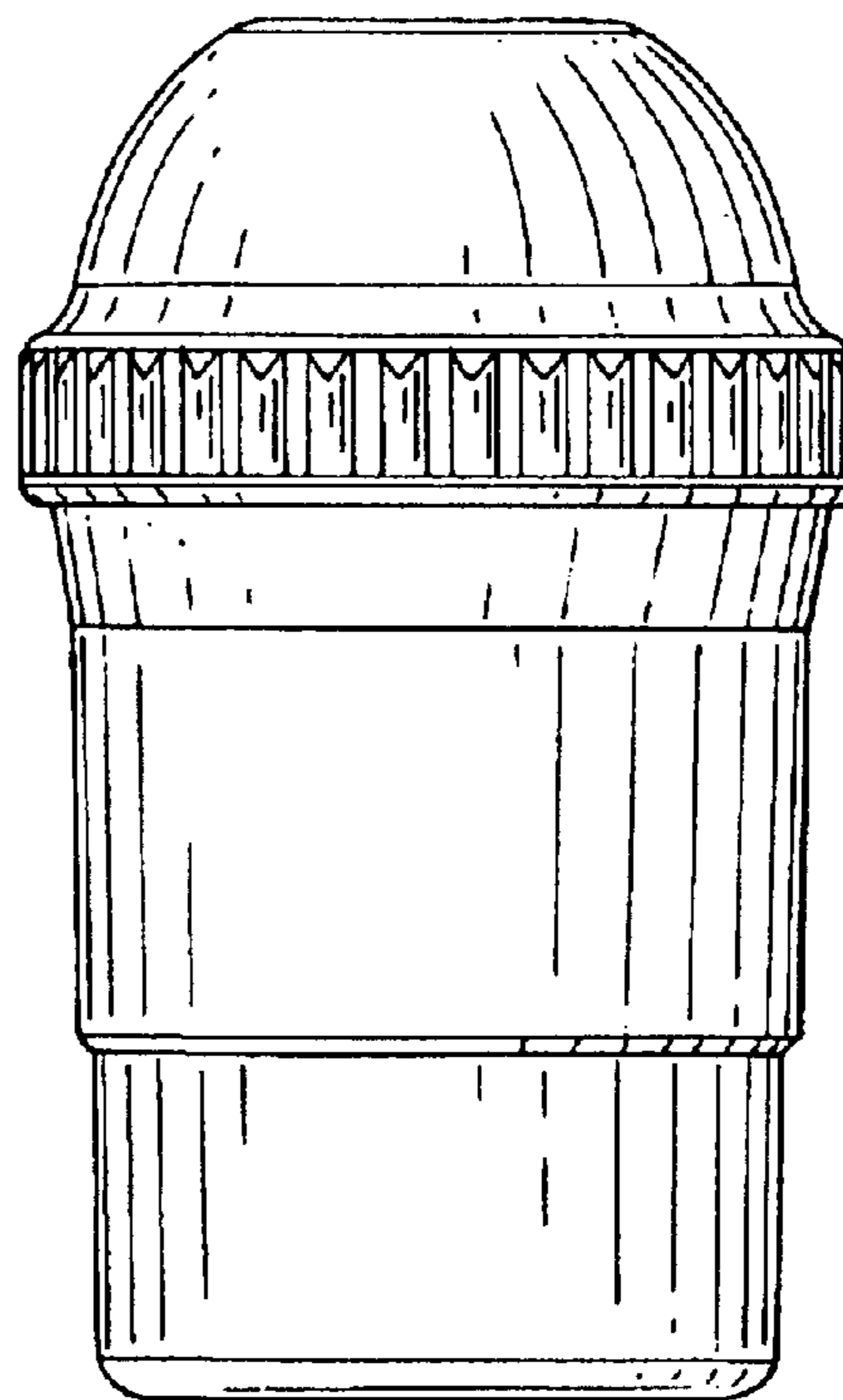
FIG. 1 is a front-top perspective view of the paint device in accordance with one embodiment of the present invention; FIG. 2 is a front view of the paint device of FIG. 1; FIG. 3 is a top view of the paint device of FIG. 1; FIG. 4 is a bottom view of the paint device of FIG. 1; FIG. 5 is a front-top perspective view of the paint device in accordance with another embodiment of the present invention; FIG. 6 is a front view of the paint device of FIG. 5; FIG. 7 is a top view of the paint device of FIG. 5; and, FIG. 8 is a bottom view of the paint device of FIG. 5.

**1 Claim, 4 Drawing Sheets**

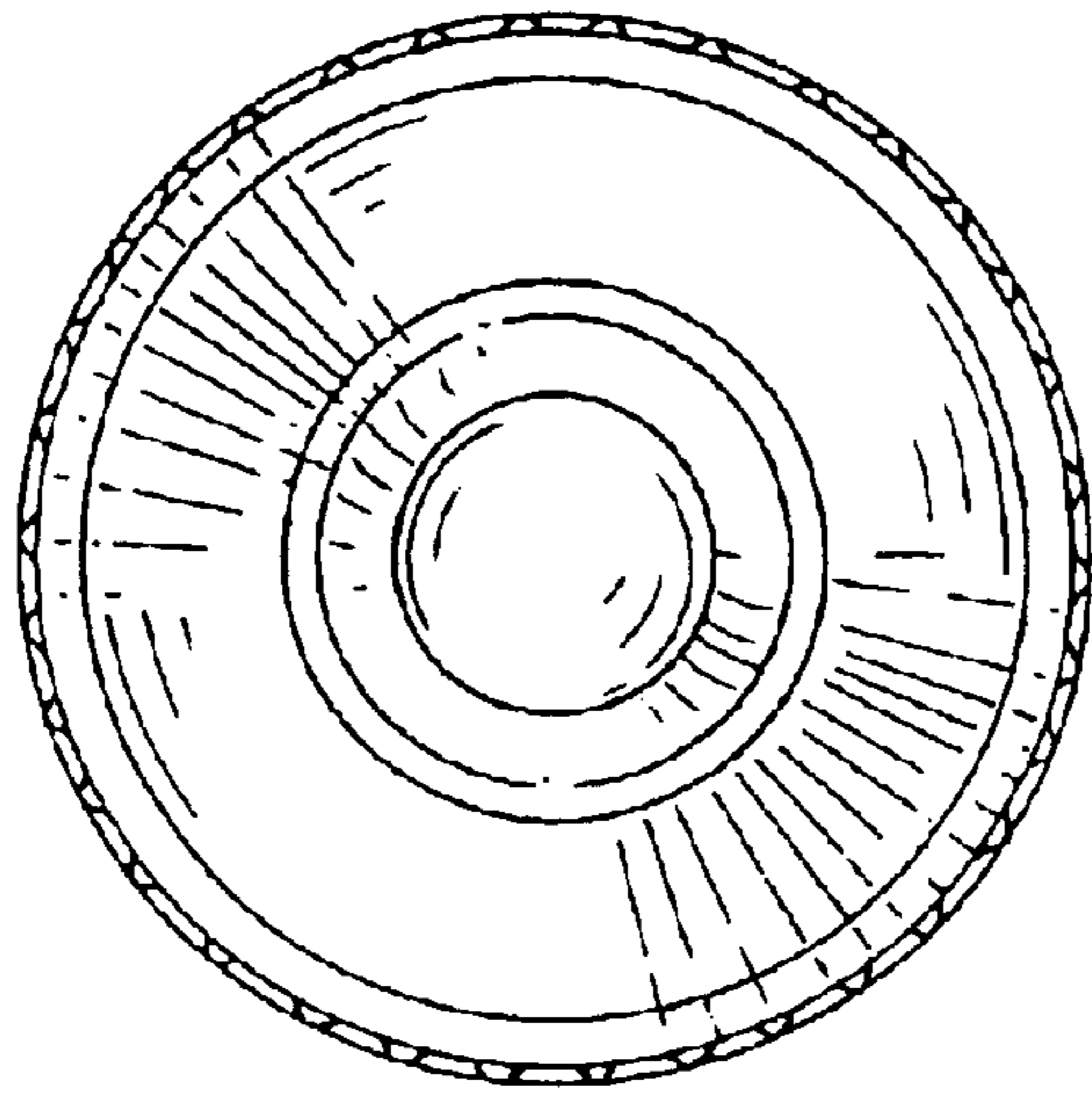




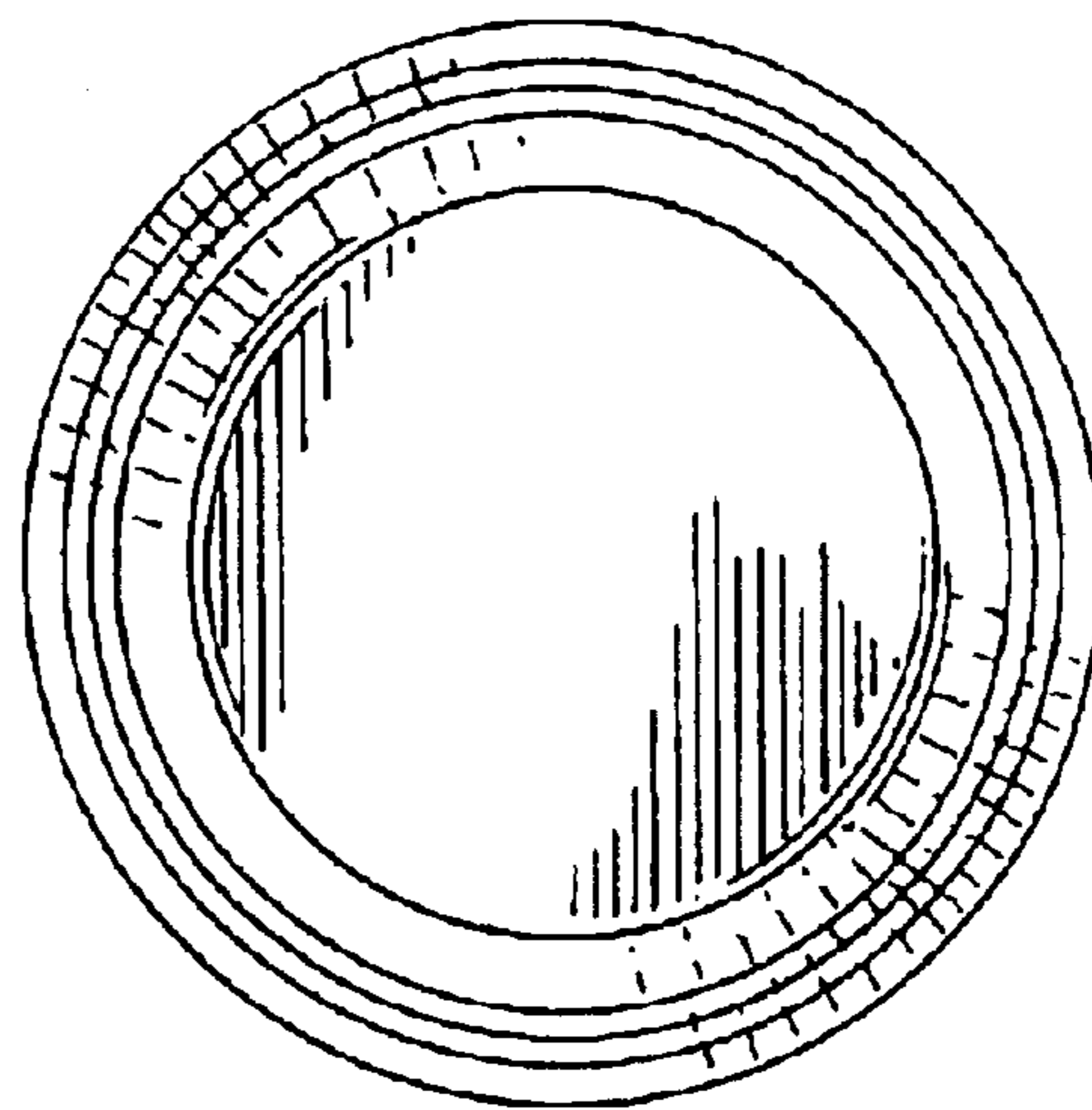
*Fig. 1*



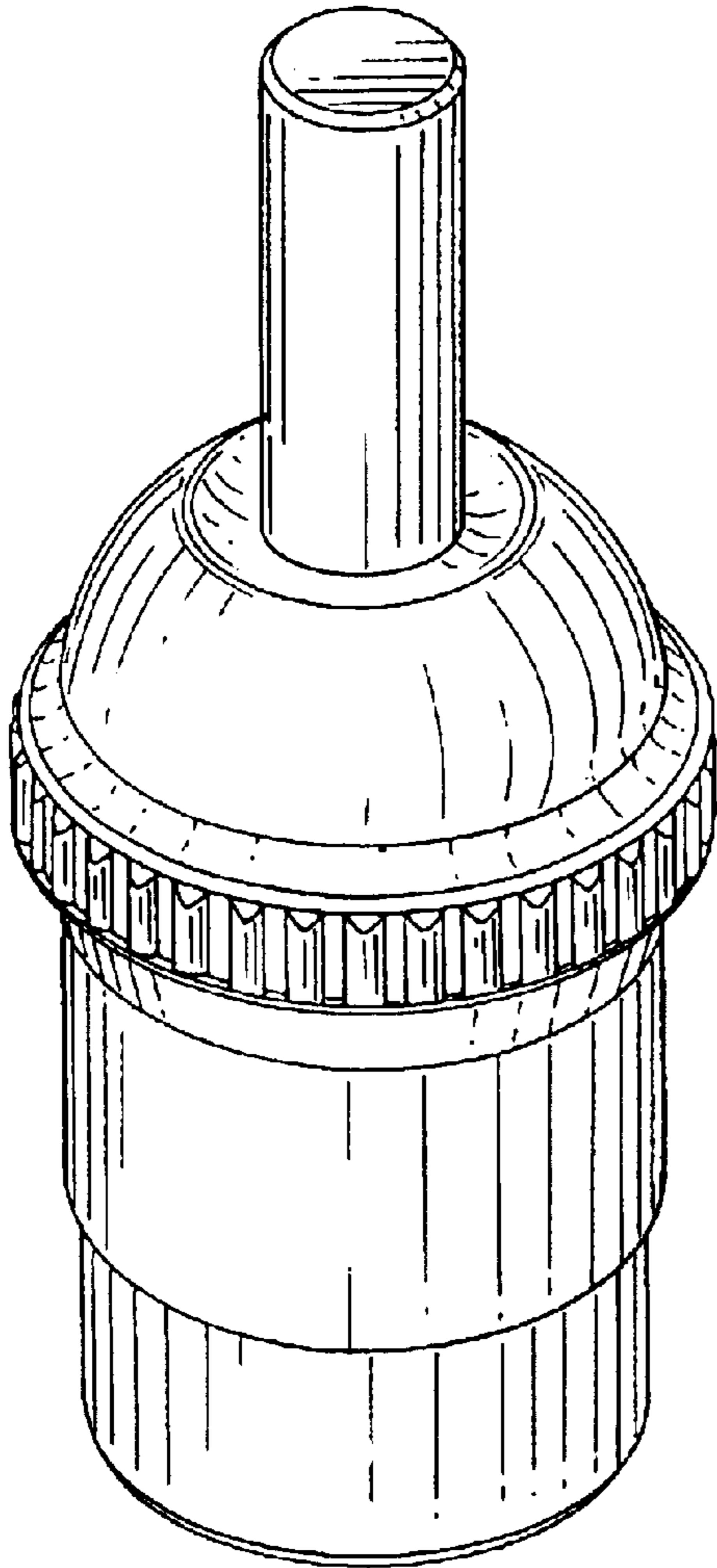
*Fig. 2*



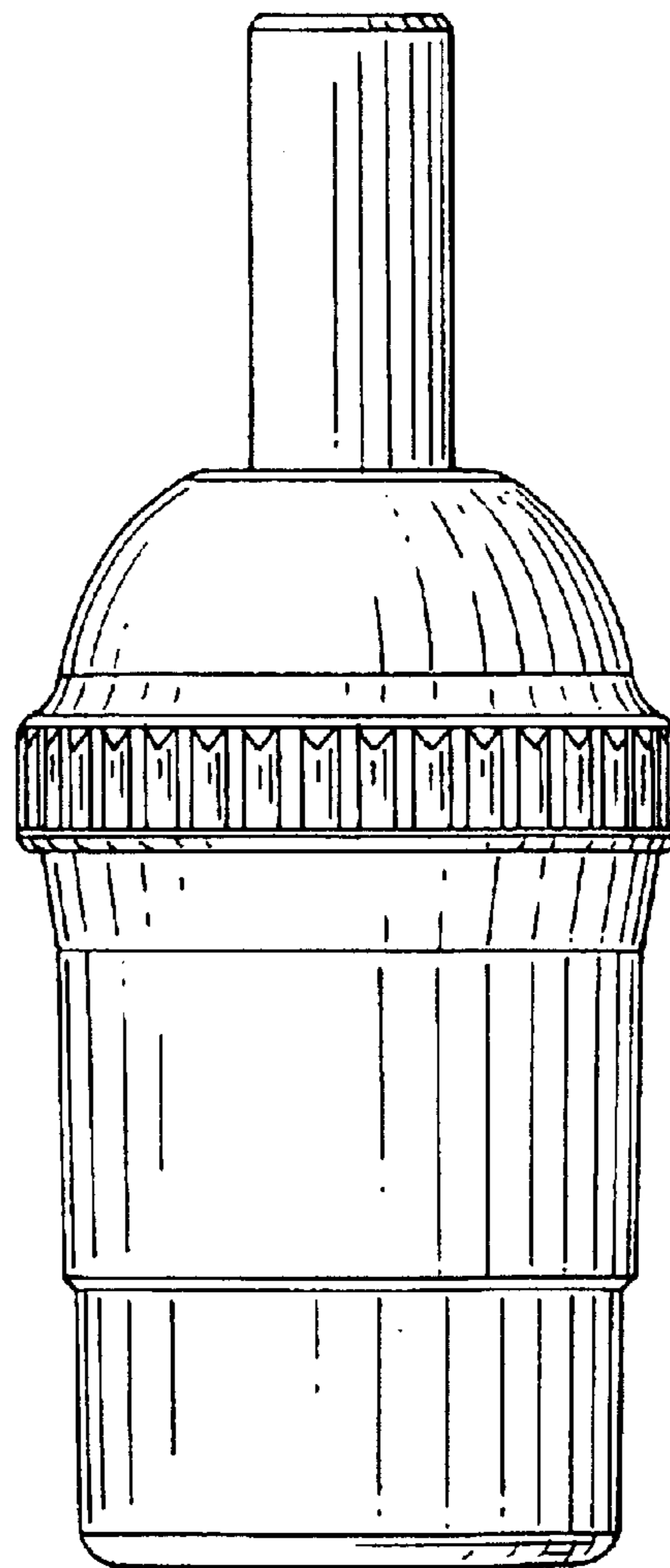
*Fig. 3*



*Fig. 4*

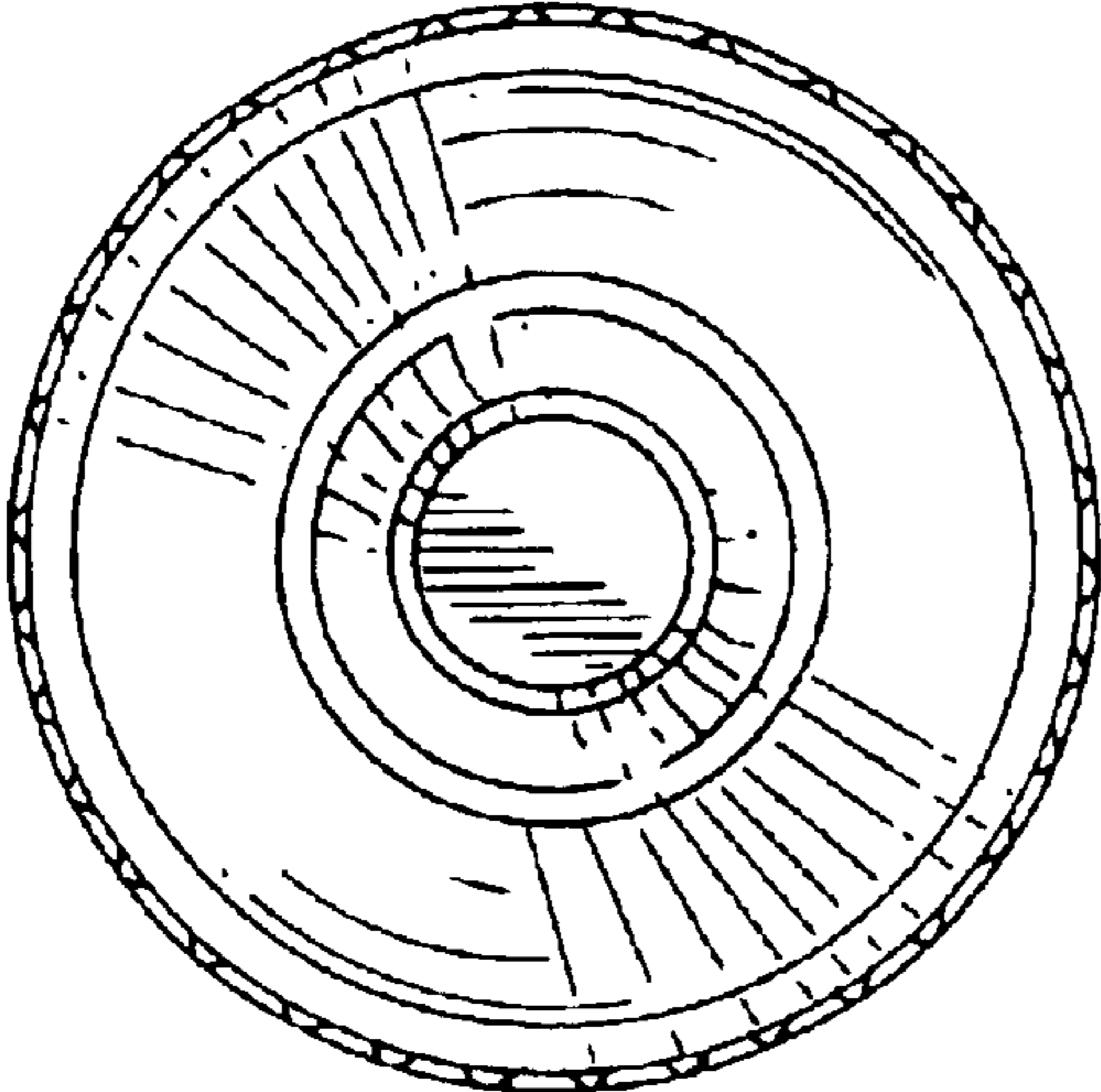


*Fig. 5*

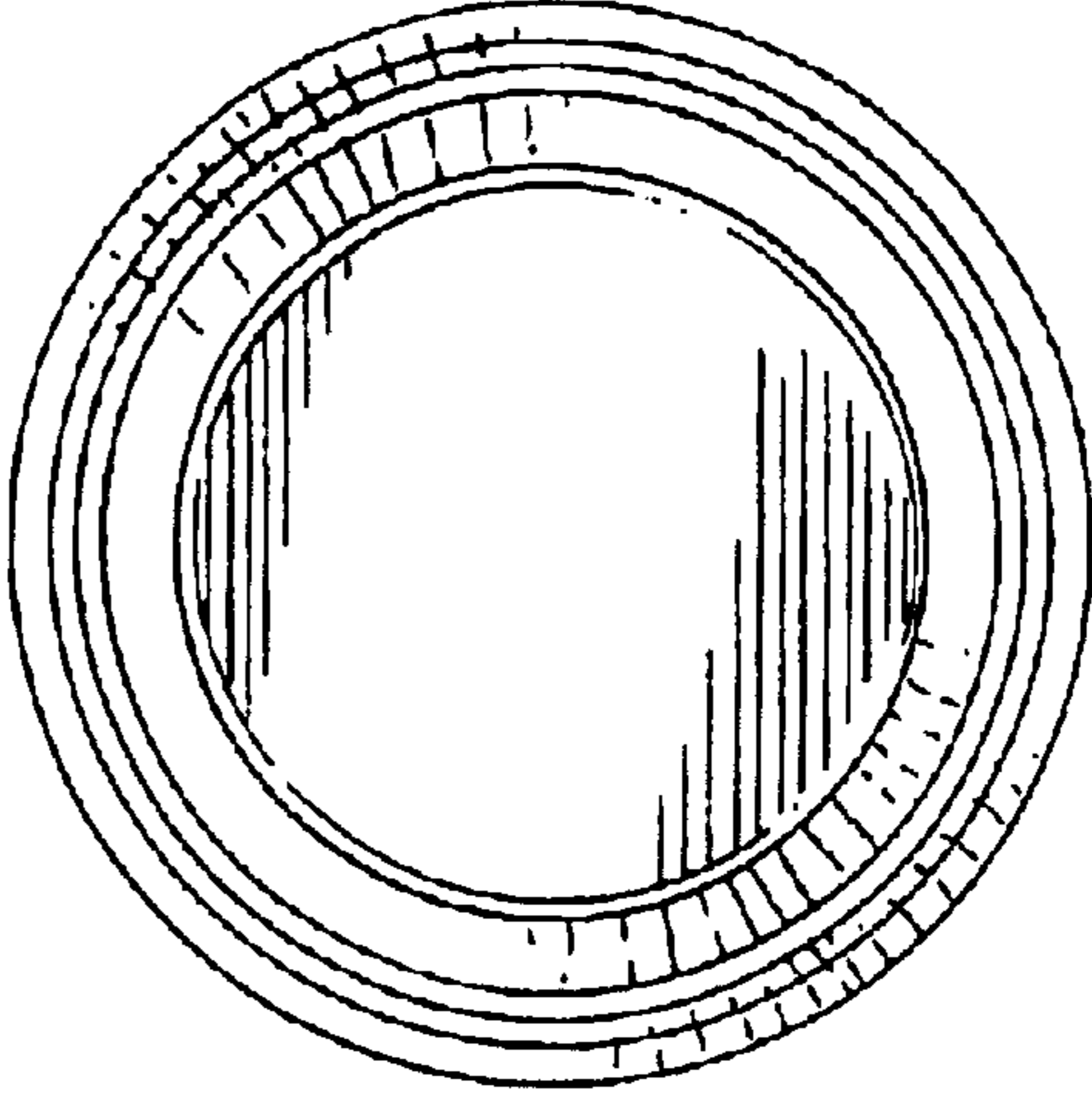


*Fig. 6*





*Fig. 7*



*Fig. 8*