

US00D515760S

(12) **United States Design Patent**  
**Hardy et al.**

(10) **Patent No.:** **US D515,760 S**  
(45) **Date of Patent:** **\*\* Feb. 21, 2006**

(54) **SCRAPER BLADE**

(75) Inventors: **Benjamin G. Hardy**, Elkhorn, WI (US); **Drew J. Van Norman**, Whitewater, WI (US); **Curtis L. Hagen**, Delavan, WI (US)

(73) Assignee: **SPX Corporation**, Charlotte, NC (US)

(\*\*) Term: **14 Years**

(21) Appl. No.: **29/195,409**

(22) Filed: **Dec. 12, 2003**

(51) **LOC (8) Cl.** ..... **08-05**

(52) **U.S. Cl.** ..... **D32/48**

(58) **Field of Classification Search** ..... D32/46, D32/47, 48, 40; 15/236.01, 237, 236.06, 15/236.07, 236.09; 30/169, 346, 346.55, 30/346.58, 346.59; D8/14, 16, 19, 20  
See application file for complete search history.

(56) **References Cited**

**U.S. PATENT DOCUMENTS**

2,242,992 A \* 5/1941 Devor ..... 30/155  
3,047,946 A \* 8/1962 Lins ..... 30/162

3,516,106 A \* 6/1970 Roefaro ..... 15/236.05  
D223,401 S \* 4/1972 Meisner ..... D32/48  
4,970,749 A \* 11/1990 Priore ..... 15/236.02  
D388,572 S \* 12/1997 Gold ..... D32/46  
D398,111 S \* 9/1998 Avrans ..... D32/46  
6,470,574 B1 \* 10/2002 Strumke, Jr. .... 30/169

\* cited by examiner

*Primary Examiner*—Cynthia E. Ramirez

(74) *Attorney, Agent, or Firm*—Baker & Hostetler LLP

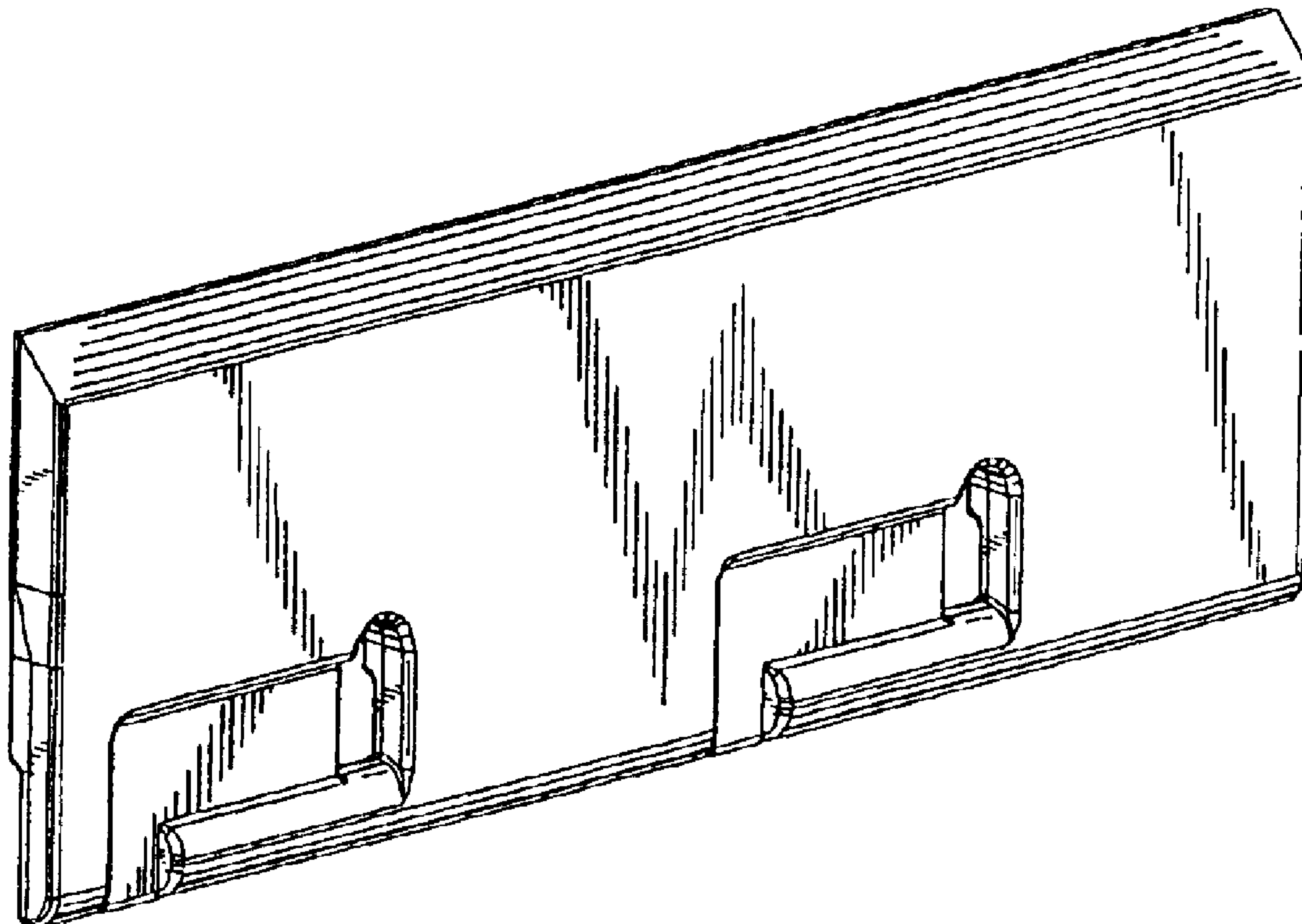
(57) **CLAIM**

The ornamental design for a scraper blade, as shown and described.

**DESCRIPTION**

FIG. 1 is a perspective view of the scraper blade, particularly showing the inventive design thereof;  
FIG. 2 is a front view thereof;  
FIG. 3 is a rear view thereof;  
FIG. 4 is a right view thereof;  
FIG. 5 is a left side view thereof;  
FIG. 6 is a top view thereof; and,  
FIG. 7 is a bottom view thereof.

**1 Claim, 3 Drawing Sheets**



**FIG. 1**

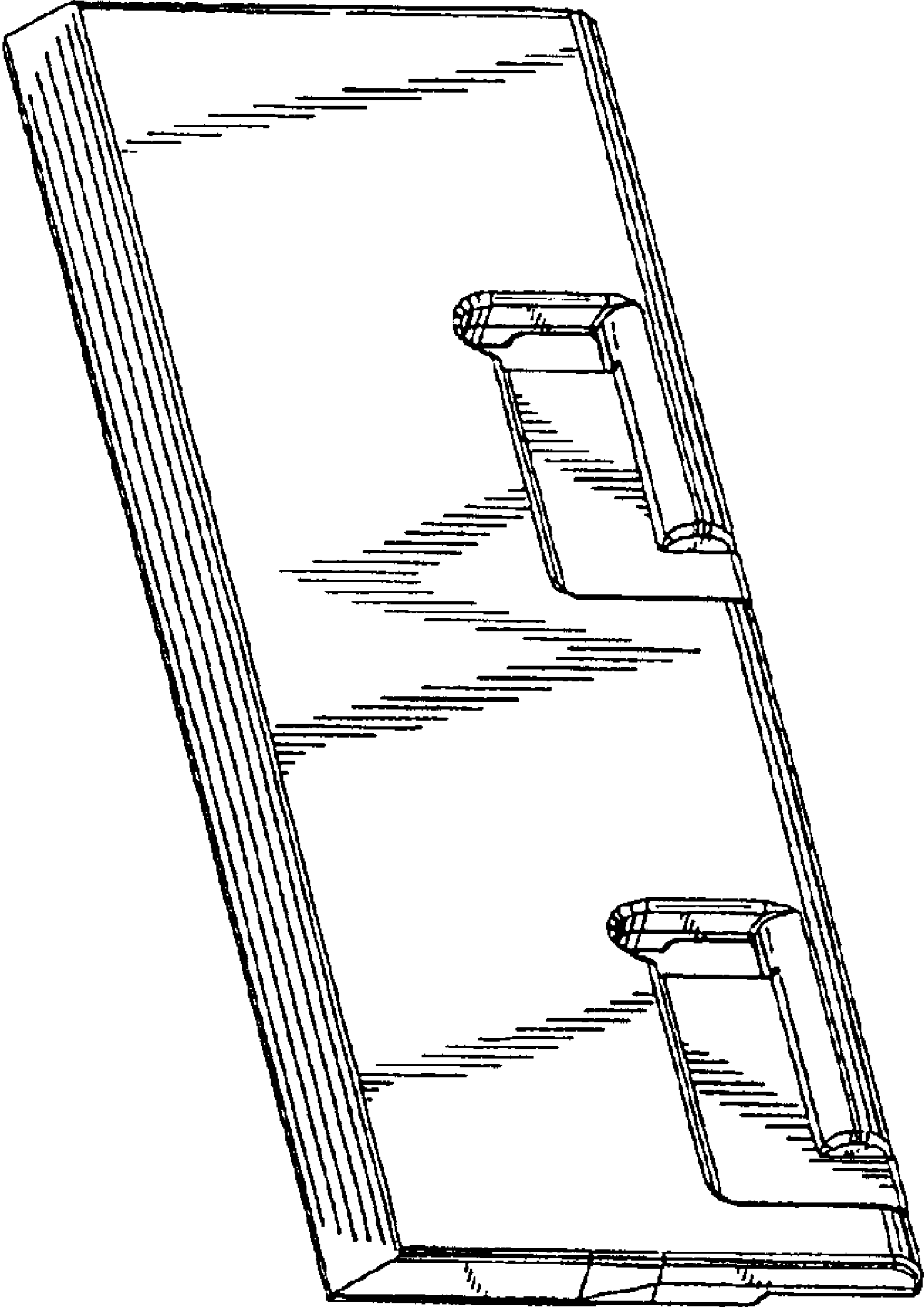


FIG. 2

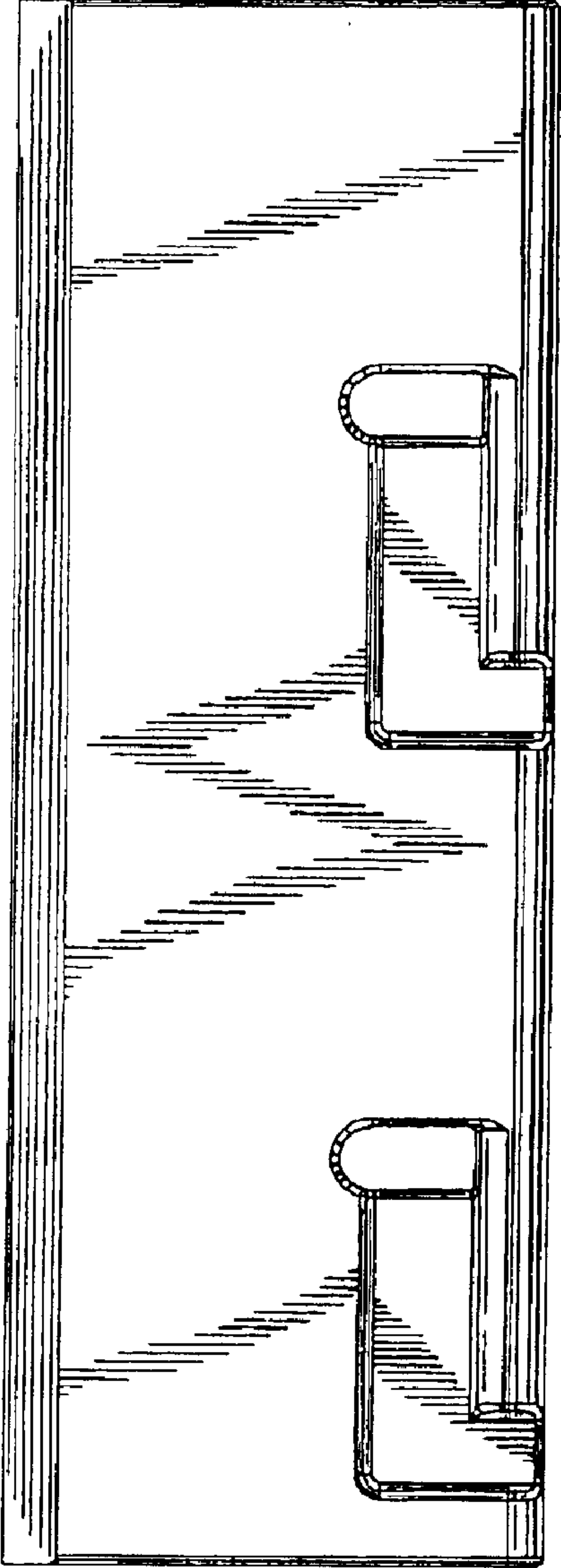


FIG. 3

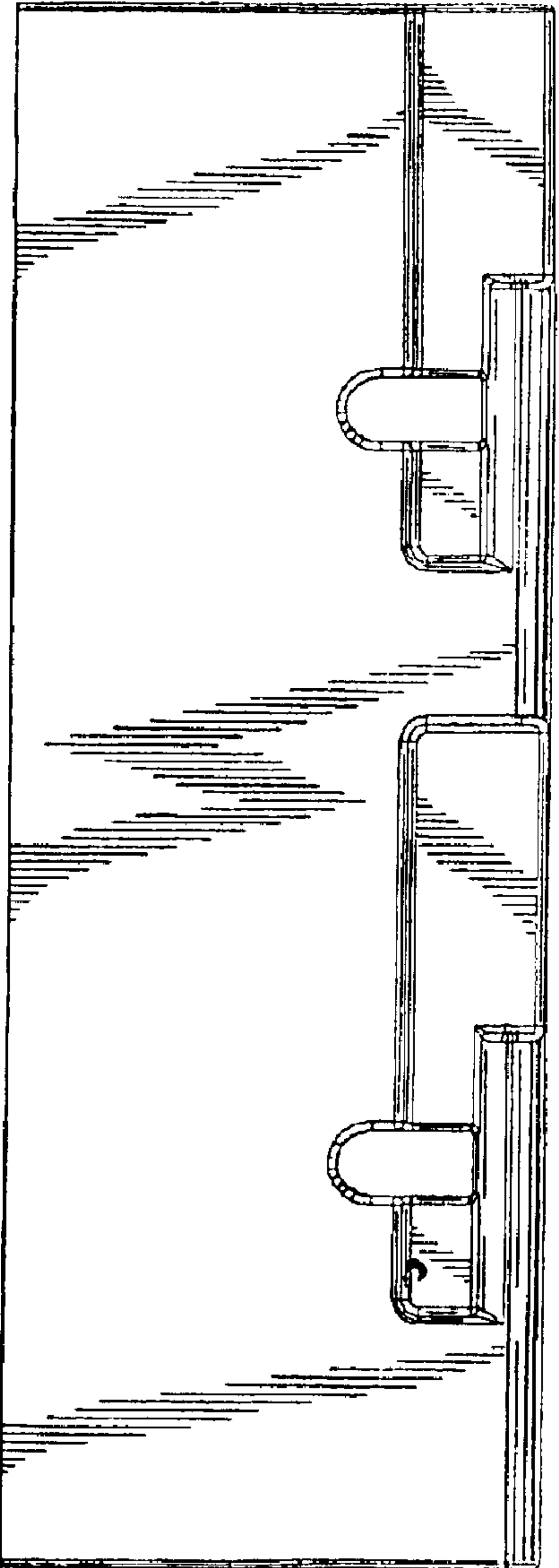




FIG. 4

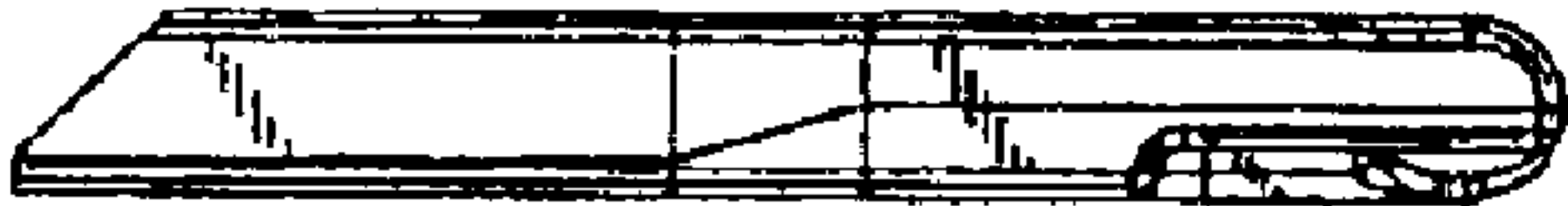


FIG. 5



FIG. 6



FIG. 7