



US00D515756S

(12) **United States Design Patent**  
**Allard et al.**

(10) **Patent No.: US D515,756 S**

(45) **Date of Patent: \*\* Feb. 21, 2006**

(54) **FLOOR TOOL FOR A CLEANING APPLIANCE**

(75) Inventors: **Matthew James Roger Allard**, Bath (GB); **David Benjamin Smith**, Reston (GB); **Simon Nicholas Langham**, Corsham (GB); **Wen Tong Chong**, Senai (MY)

(73) Assignee: **Dyson Limited**, Wiltshire (GB)

(\*\*) Term: **14 Years**

(21) Appl. No.: **29/208,848**

(22) Filed: **Jul. 7, 2004**

(30) **Foreign Application Priority Data**

Jan. 8, 2004 (GB) ..... 3015739

(51) **LOC (8) Cl. .... 15-05**

(52) **U.S. Cl. .... D32/32**

(58) **Field of Classification Search** ..... D32/22, D32/25, 31-33; 15/320-322, 415.1, 410, 15/414, 354, 363, 366, 383, 338, 334, 340.2, 15/412, 327.5; 55/318, 337, 400, DIG. 3, 55/429, 459.1, 345, 447; 95/271, 268; 210/512.1, 210/512.2

See application file for complete search history.

(56) **References Cited**

**U.S. PATENT DOCUMENTS**

D290,418 S \* 6/1987 Strohmeyer ..... D32/32

D290,419 S \* 6/1987 Strohmeyer ..... D32/32  
5,564,161 A \* 10/1996 Glatz ..... 15/415.1  
D419,733 S \* 1/2000 Medema ..... D32/32  
D427,737 S \* 7/2000 Dyson et al. .... D32/32  
D443,741 S \* 6/2001 Parr et al. .... D32/32  
D449,724 S \* 10/2001 Nighy et al. .... D32/32  
D456,967 S \* 5/2002 Santiago ..... D32/32  
D460,231 S \* 7/2002 Bagwell et al. .... D32/32  
D508,154 S \* 8/2005 Carr ..... D32/32

\* cited by examiner

*Primary Examiner*—Ruth McInroy

(74) *Attorney, Agent, or Firm*—Morrison & Foerster LLP

(57) **CLAIM**

We claim the ornamental design for a floor tool for a cleaning appliance, as shown and described.

**DESCRIPTION**

FIG. 1 is a top-side perspective view of a floor tool for a cleaning appliance showing our new design;

FIG. 2 is a front view thereof;

FIG. 3 is a rear view thereof;

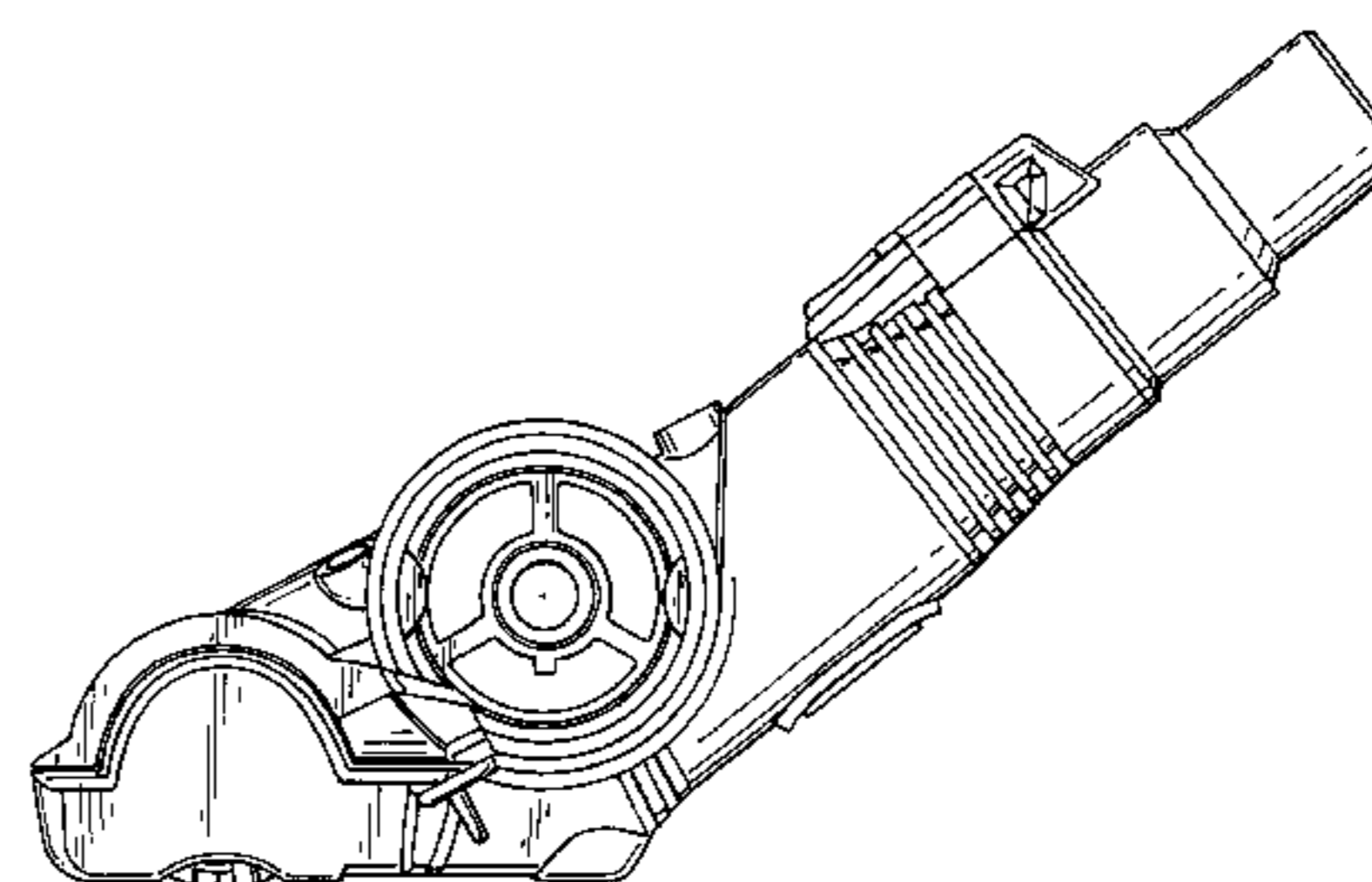
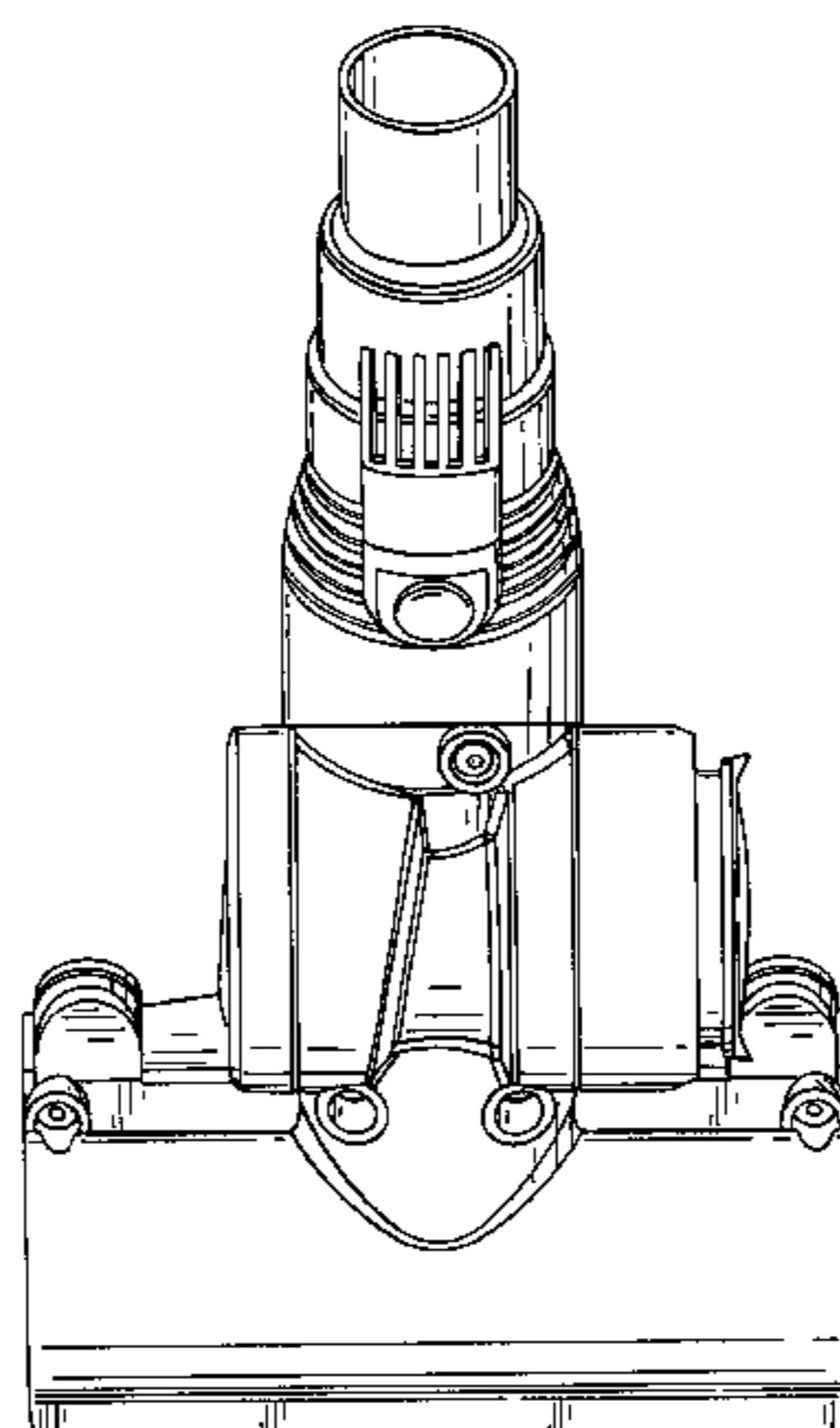
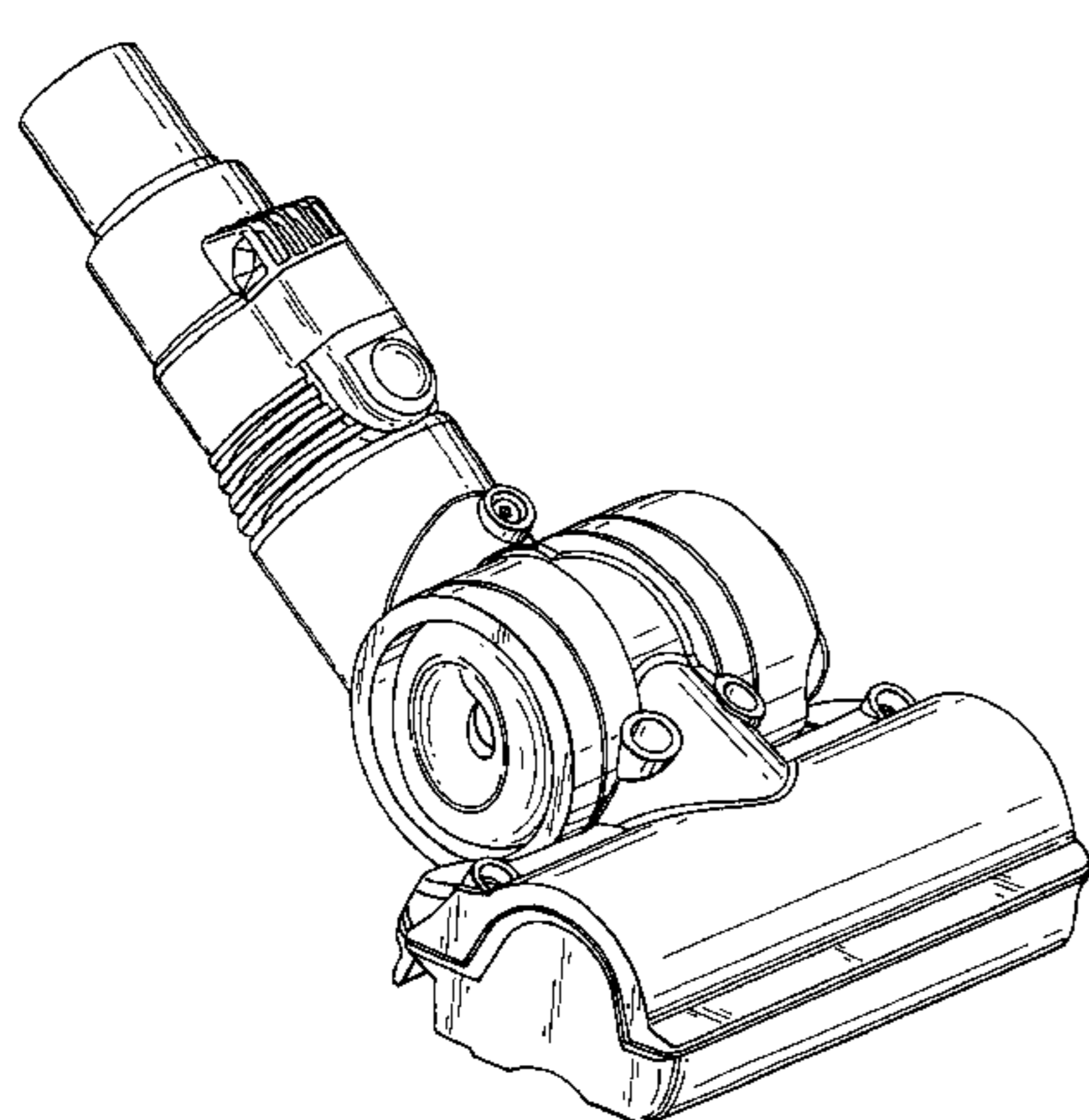
FIG. 4 is a top view thereof;

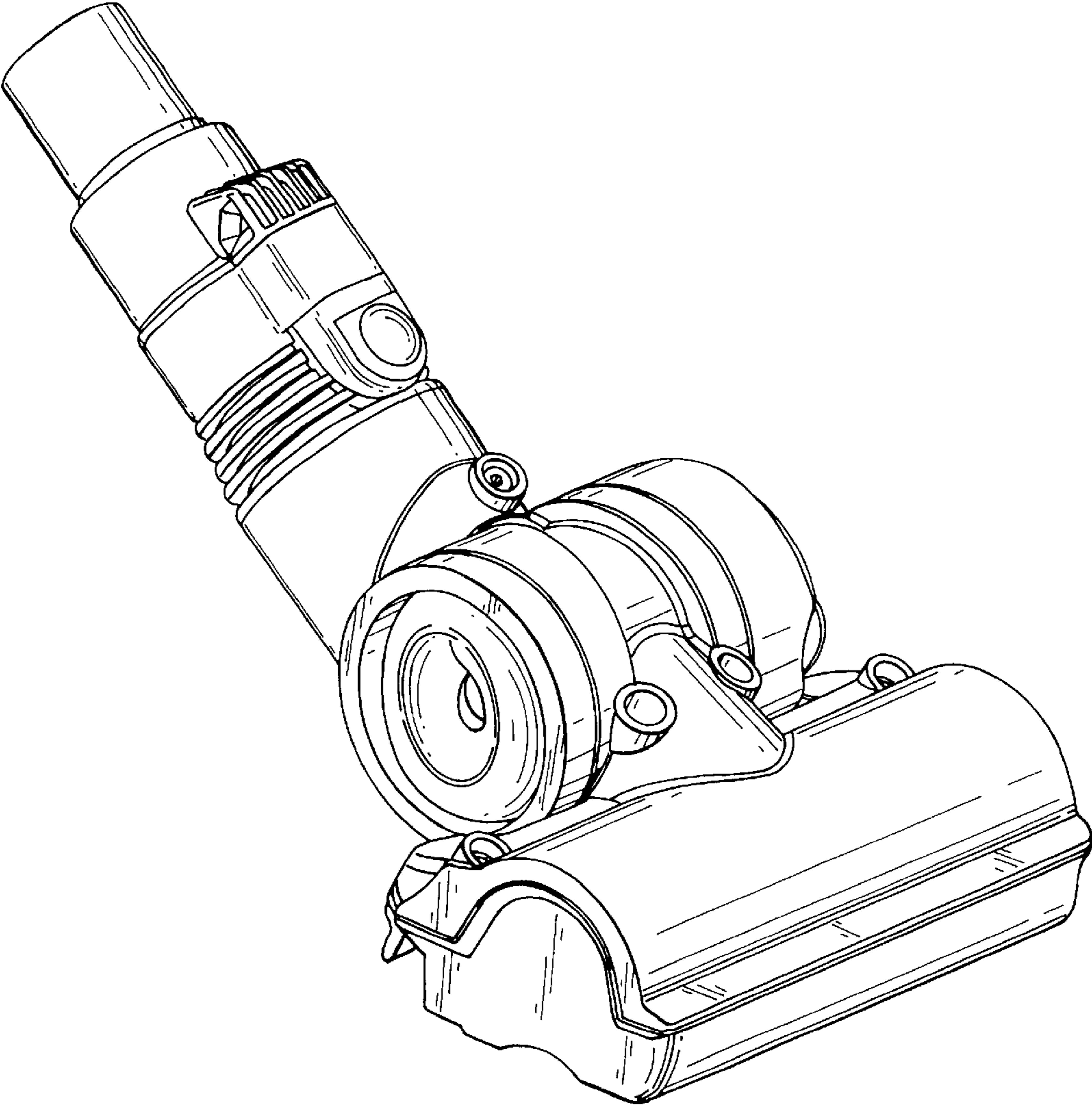
FIG. 5 is a bottom view thereof;

FIG. 6 is a side view thereof; and,

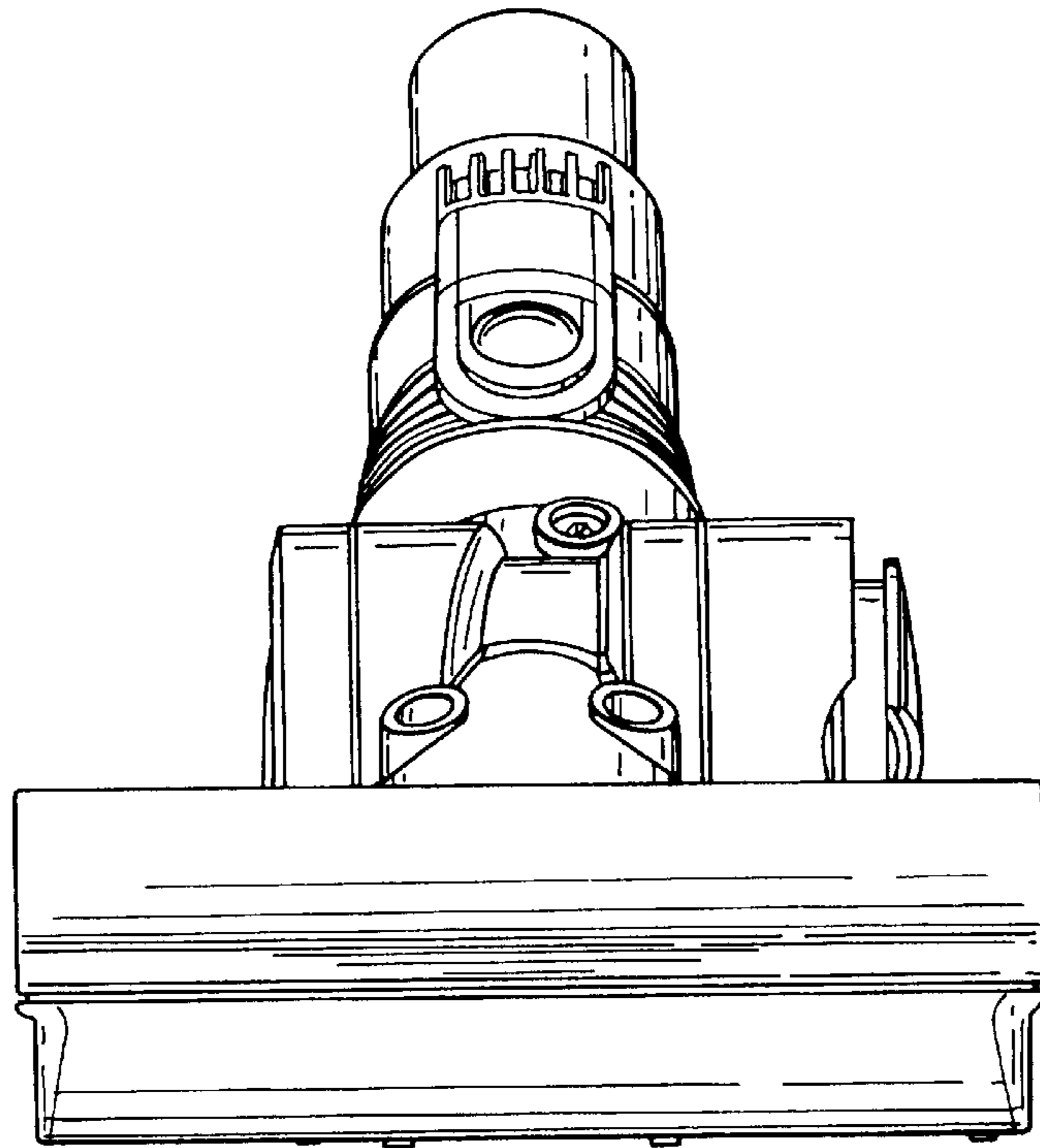
FIG. 7 is a side view of the opposite side of FIG. 6.

**1 Claim, 5 Drawing Sheets**

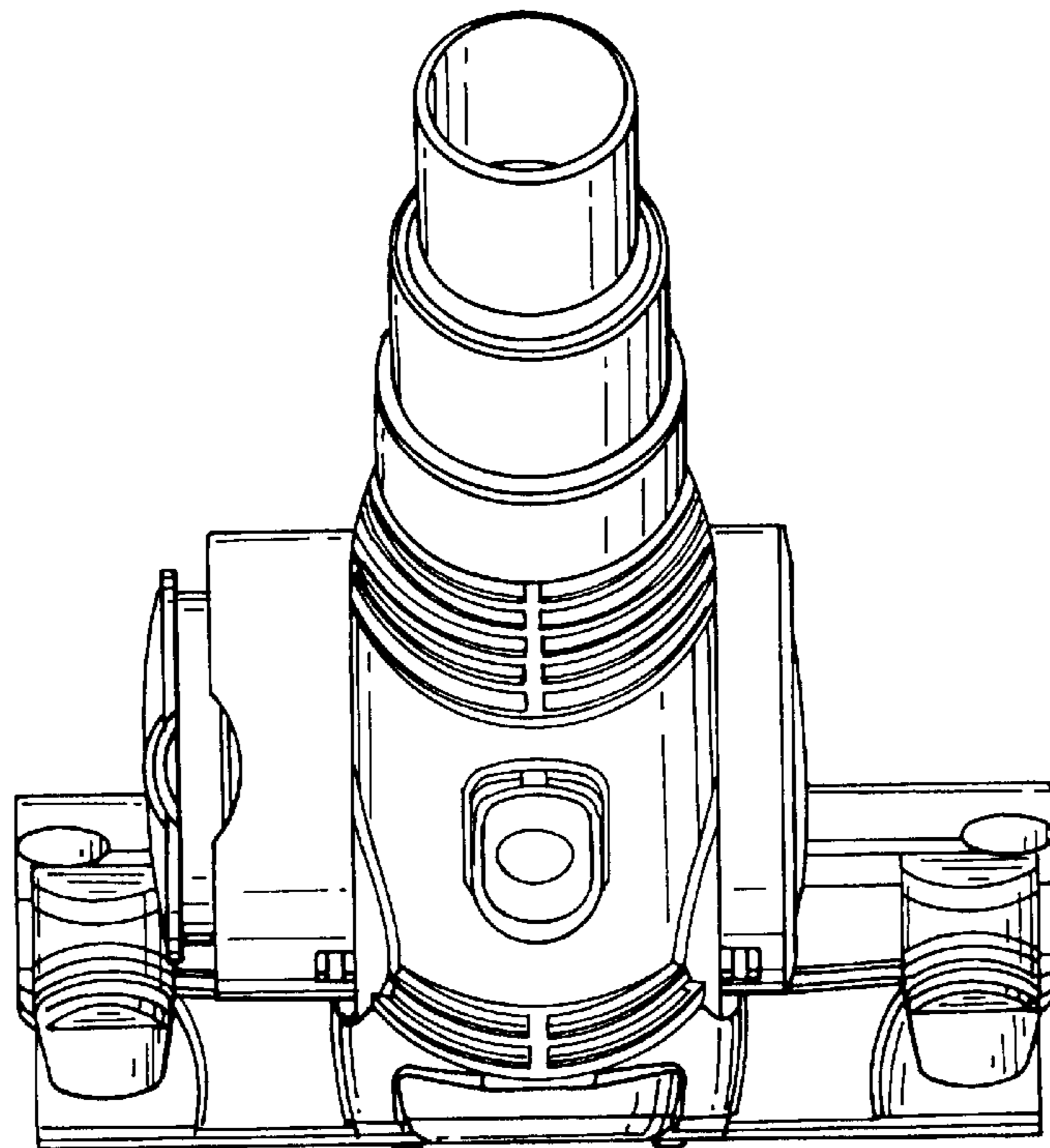




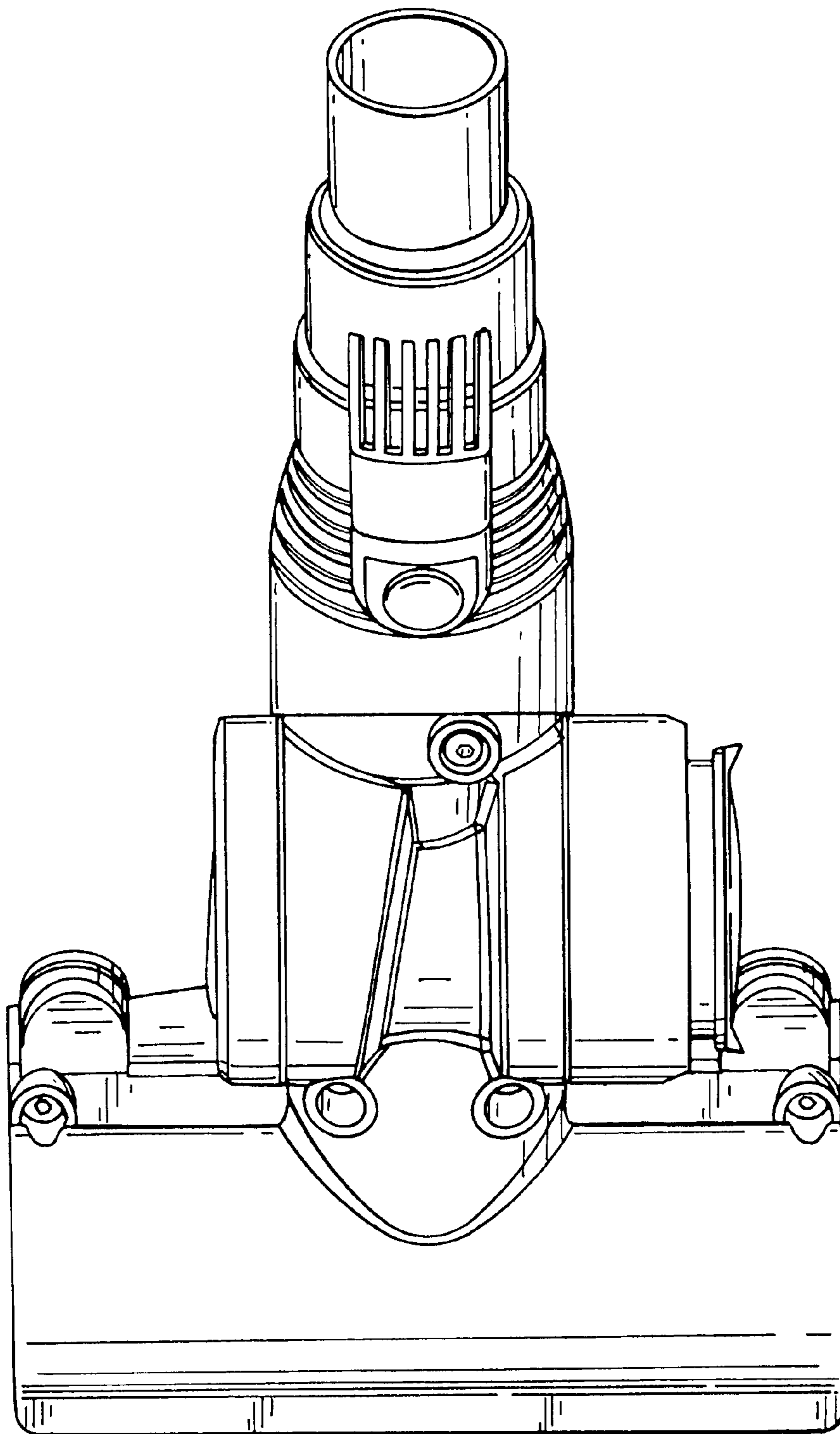
*Fig. 1*



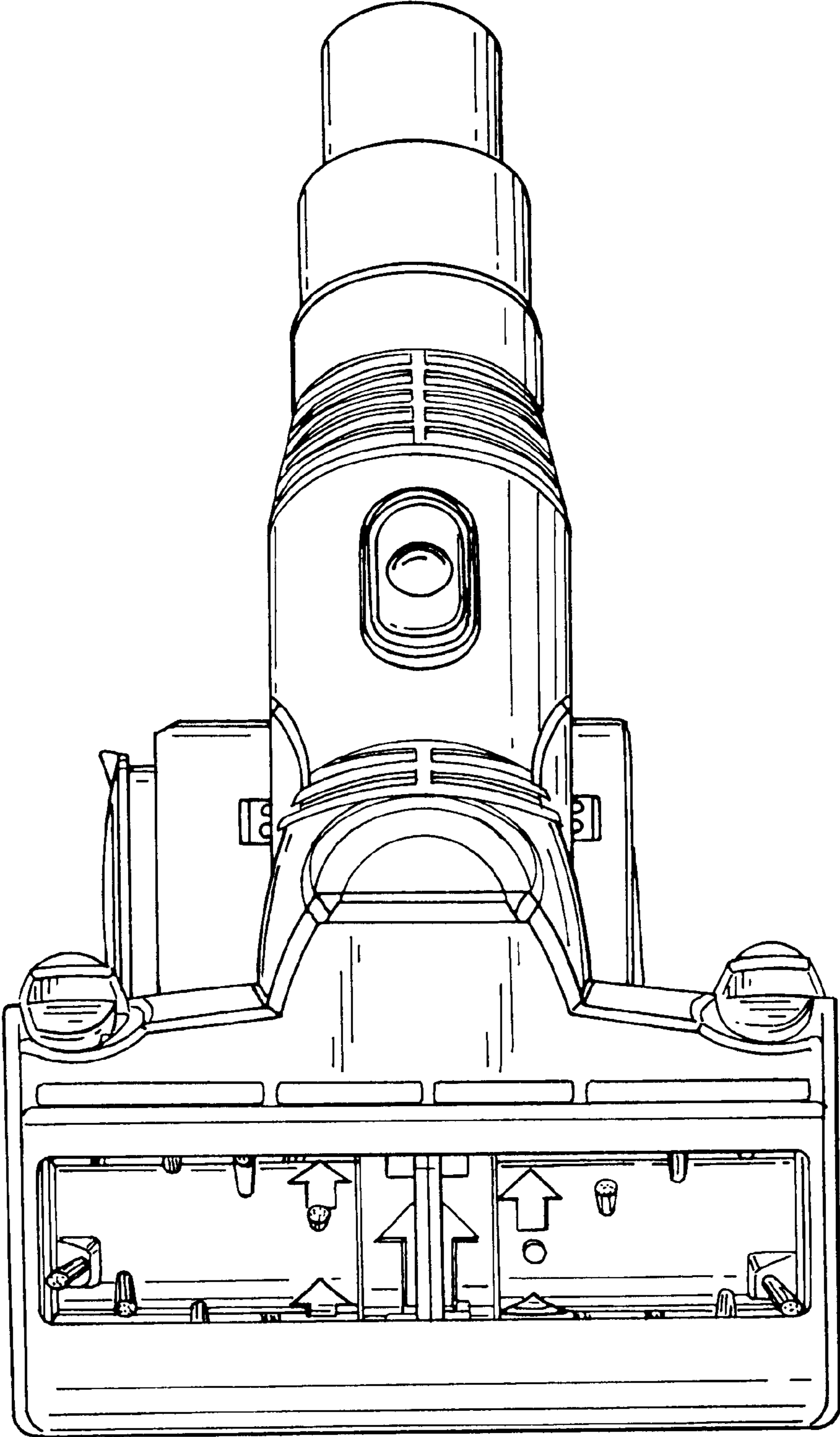
*Fig. 2*



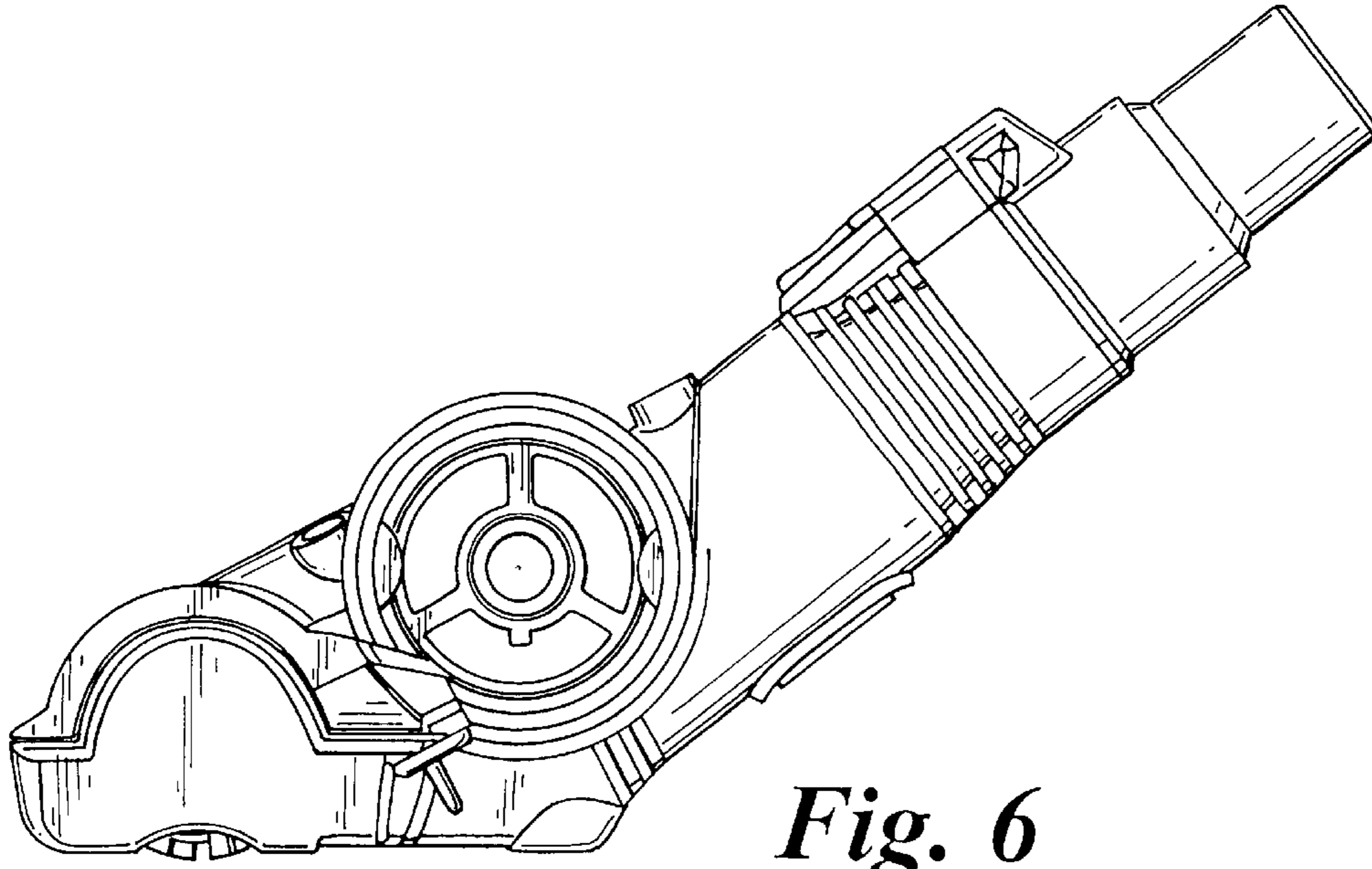
*Fig. 3*



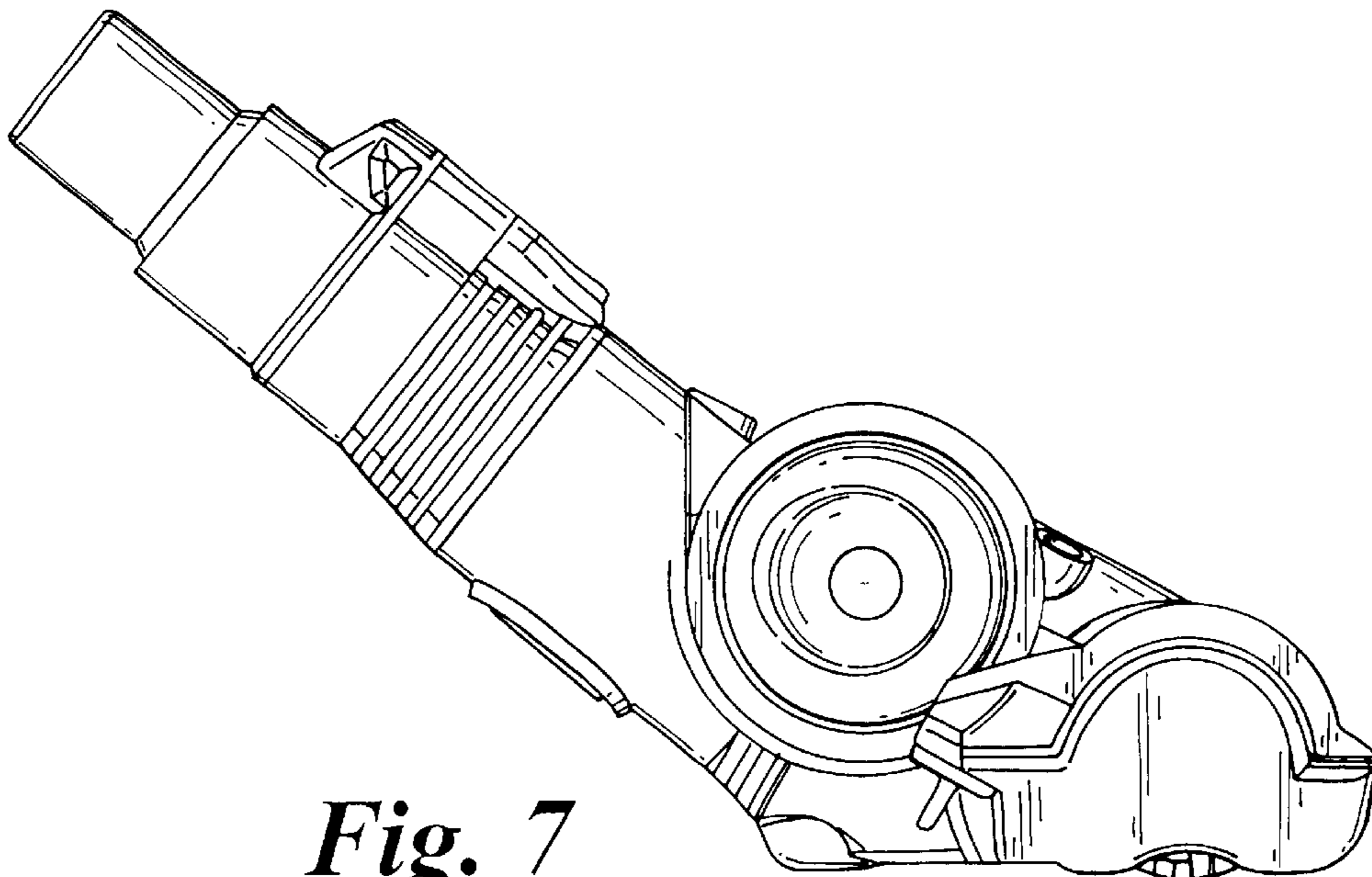
*Fig. 4*



*Fig. 5*



*Fig. 6*



*Fig. 7*