

US00D515753S

(12) **United States Design Patent** (10) **Patent No.:** **US D515,753 S**
Kim (45) **Date of Patent:** **** Feb. 21, 2006**

(54) **VACUUM CLEANER**
(75) **Inventor:** **Hyung Ki Kim, Seoul (KR)**
(73) **Assignee:** **LG Electronics, Inc., Seoul (KR)**
(**) **Term:** **14 Years**

D469,226 S * 1/2003 Stephens D32/31
D476,784 S * 7/2003 Archer et al. D32/31
D478,196 S * 8/2003 Kim et al. D32/22
6,615,444 B2 * 9/2003 McGill et al. 15/352
D485,027 S * 1/2004 Brown D32/22
D488,893 S * 4/2004 Moine et al. D32/22
6,818,032 B2 * 11/2004 Bilek et al. 55/337

* cited by examiner

(21) **Appl. No.:** **29/204,872**
(22) **Filed:** **May 6, 2004**
(30) **Foreign Application Priority Data**

Nov. 7, 2003 (KR) 30-2003-0031548

(51) **LOC (8) Cl.** **15-05**
(52) **U.S. Cl.** **D32/22**
(58) **Field of Classification Search** D32/17-18,
D32/21-22, 25, 30-34; 15/320-321, 323,
15/327.1, 335, 347, 350-353, 361, 329, 410,
15/412; 55/459.1-459.2, 449, DIG. 3, 426,
55/337, 345, 429, 467, 472; 95/271; 210/787,
210/806, 512.1, 512.2

See application file for complete search history.

(56) **References Cited**

U.S. PATENT DOCUMENTS

D455,530 S * 4/2002 Fujii D32/22
D462,813 S * 9/2002 Nakano et al. D32/22

Primary Examiner—Ruth McInroy
(74) *Attorney, Agent, or Firm*—Birch, Stewart, Kolasch & Birch, LLP

(57) **CLAIM**

I claim the ornamental design for a vacuum cleaner, as shown and described.

DESCRIPTION

FIG. 1 is a perspective view of a vacuum cleaner showing my new design;
FIG. 2 is a front view thereof;
FIG. 3 is a rear view thereof;
FIG. 4 is a left side view thereof;
FIG. 5 is a right side view thereof;
FIG. 6 is a top plan view thereof; and,
FIG. 7 is a bottom plan view thereof.

1 Claim, 6 Drawing Sheets

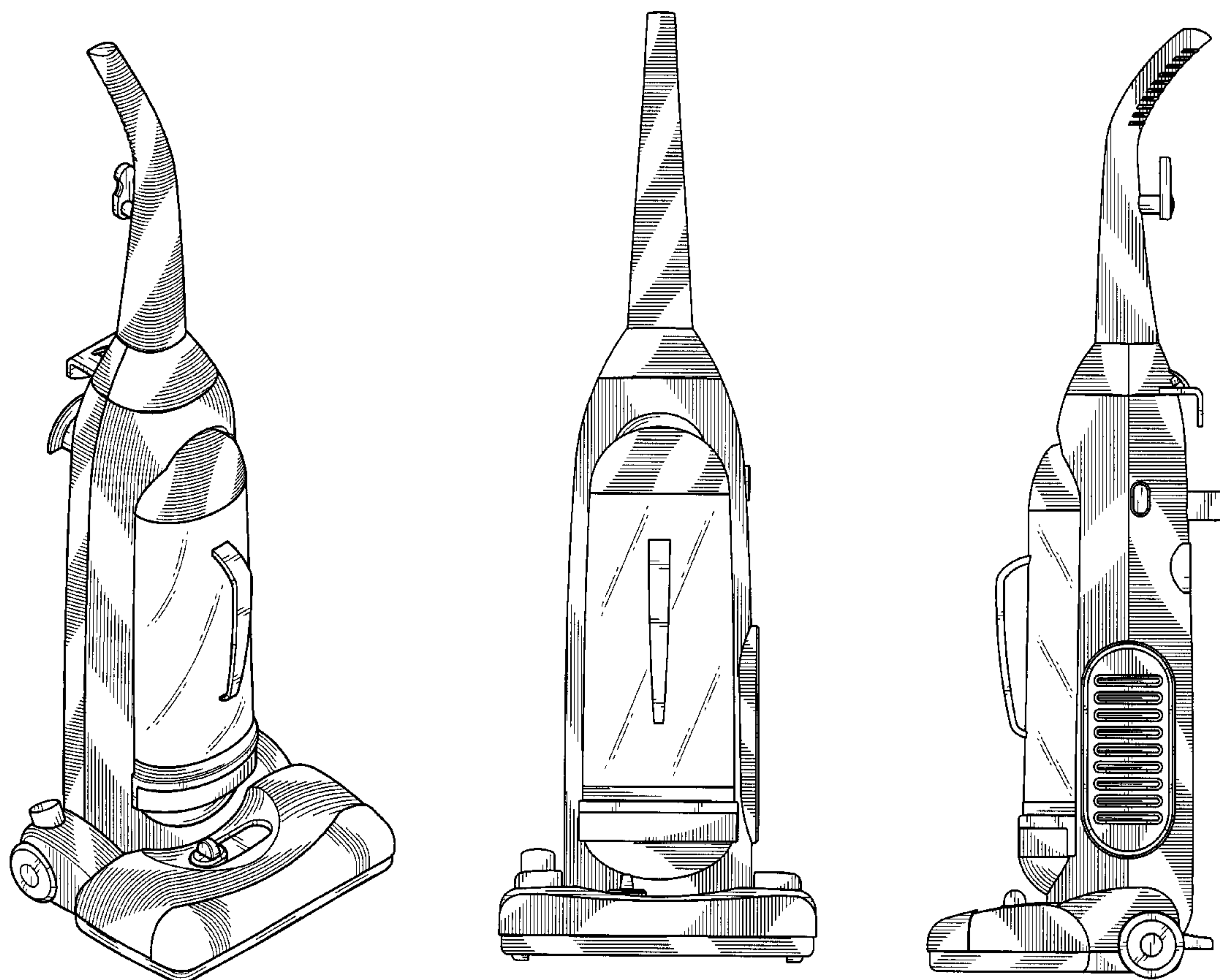


FIG. 1

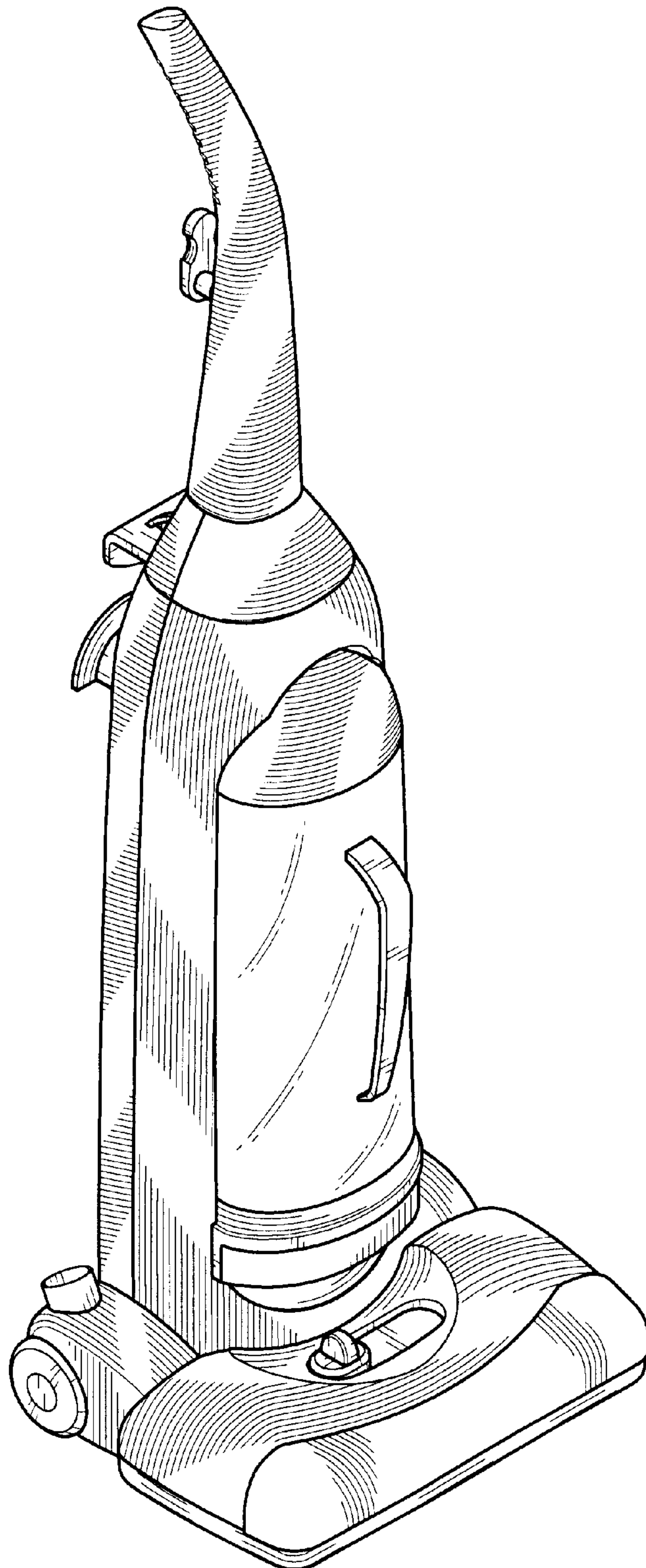


FIG. 2

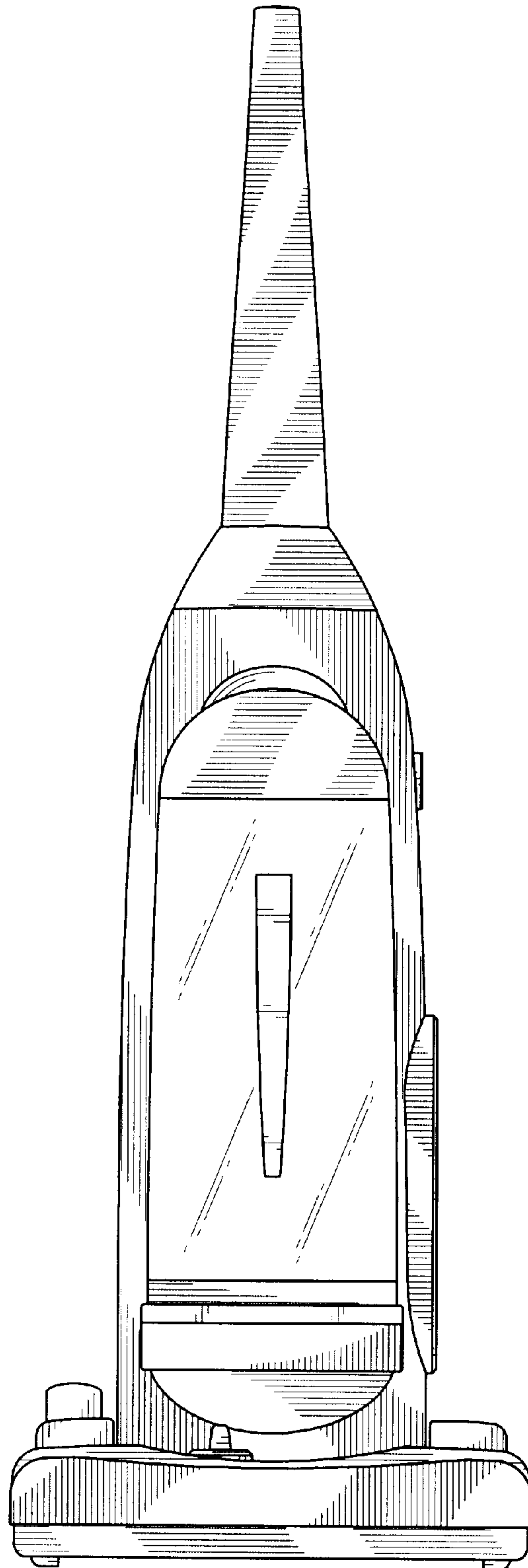


FIG. 3

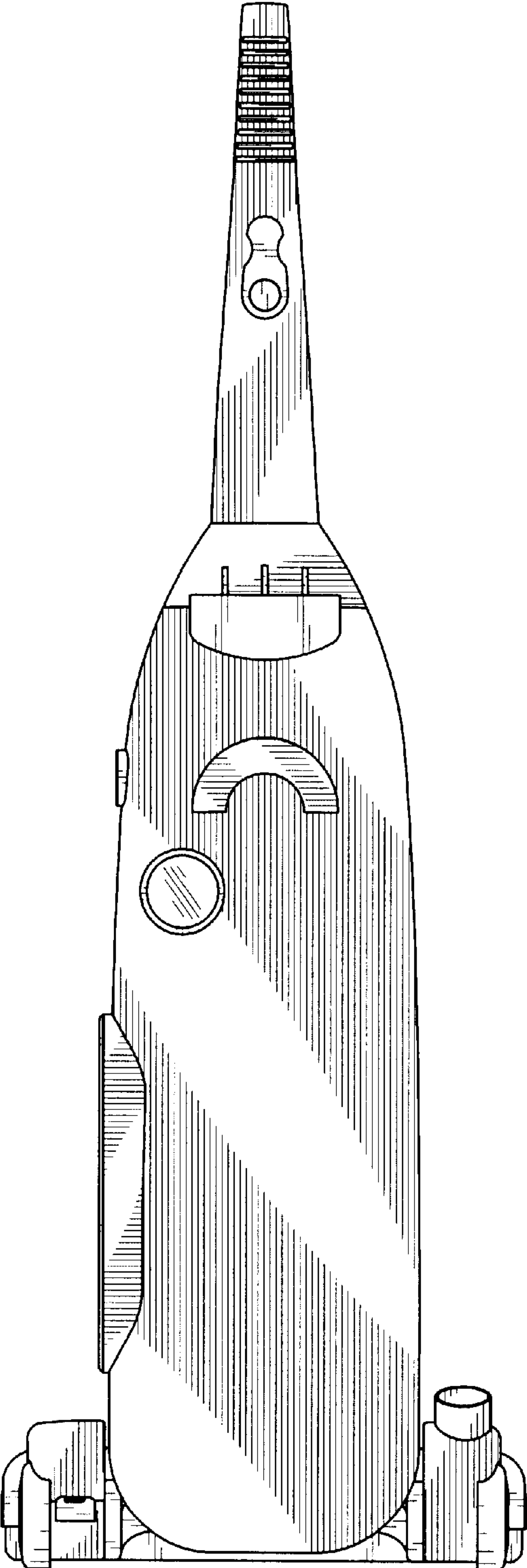


FIG. 4

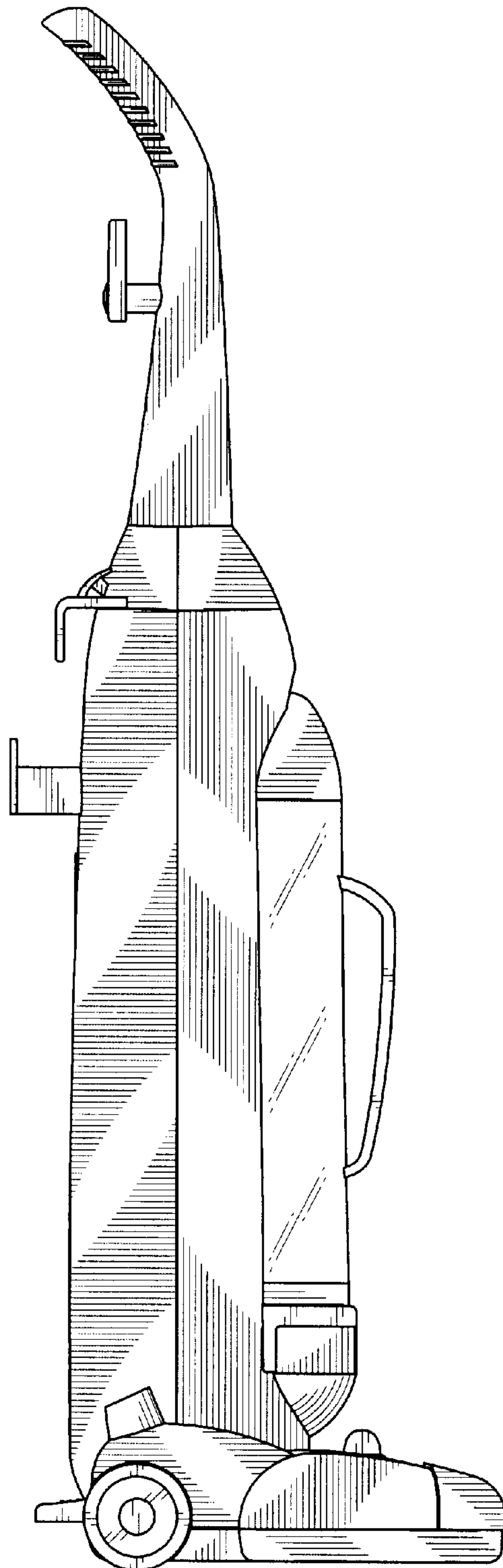


FIG. 5

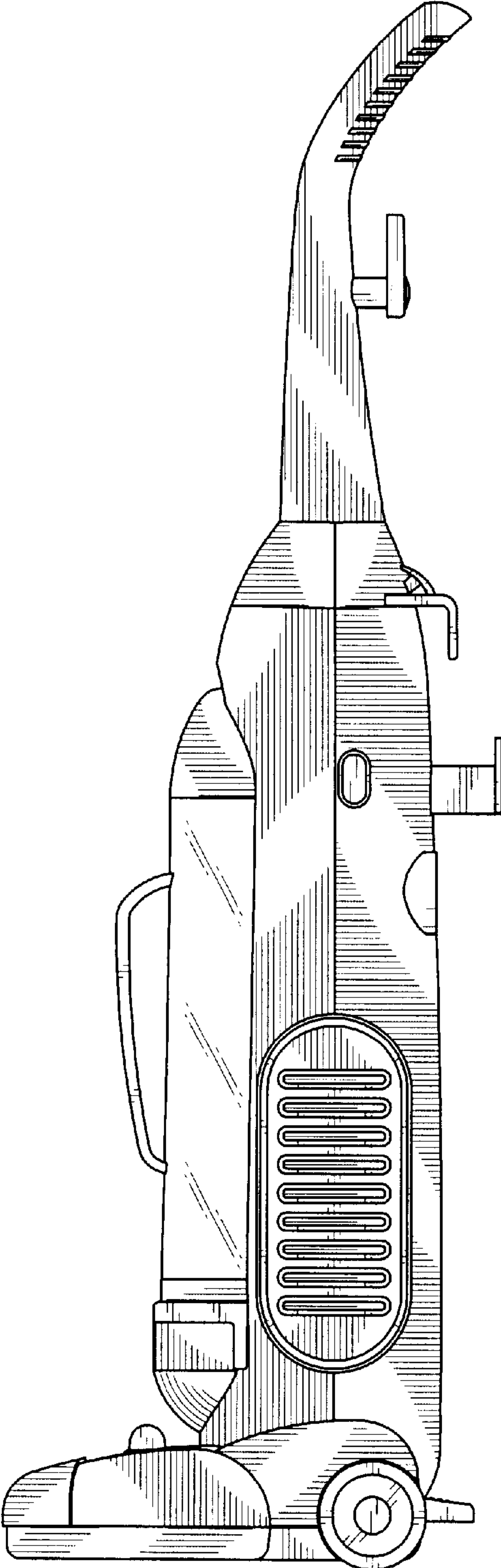


FIG. 6

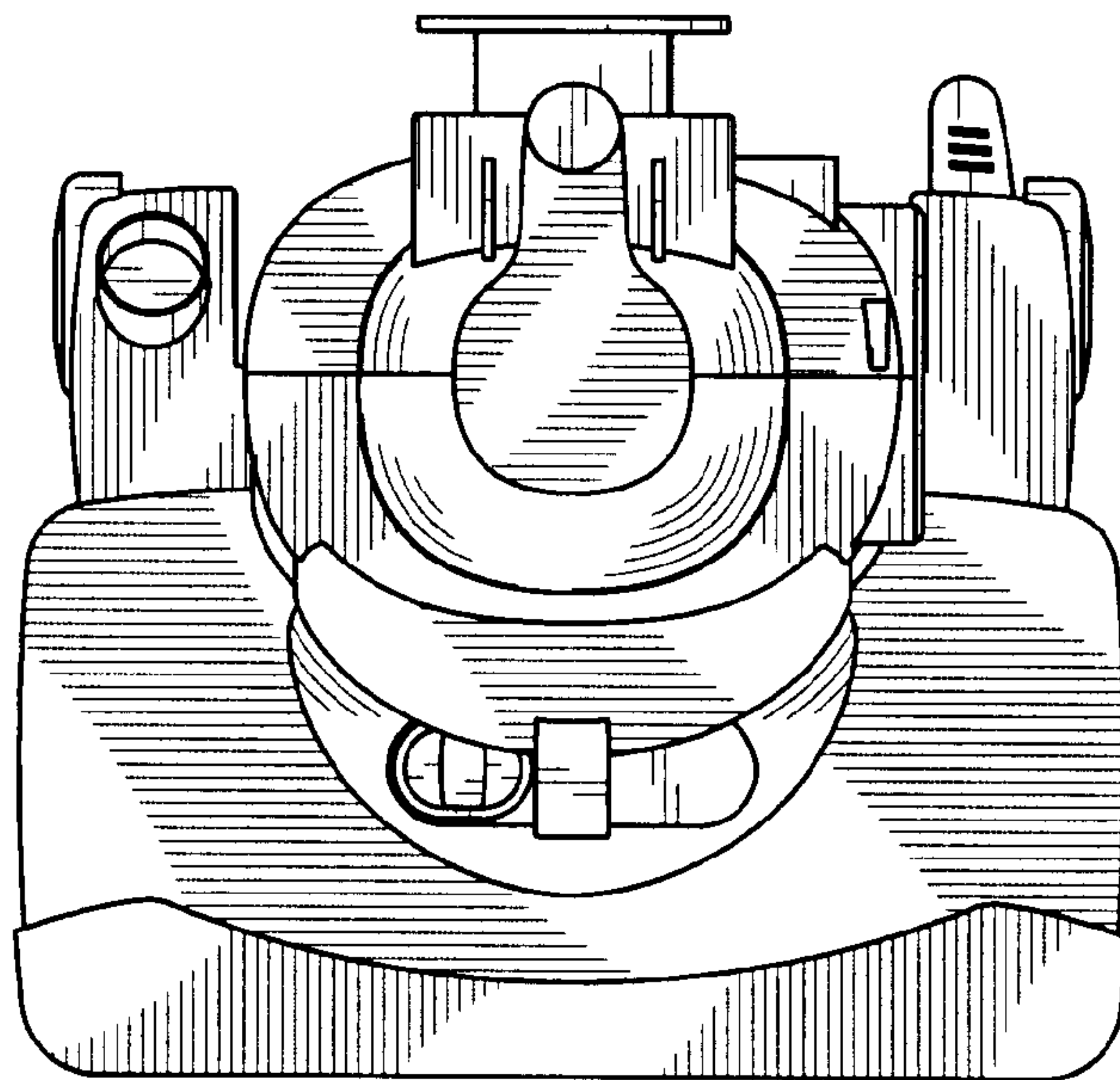


FIG. 7

