



US00D515748S

(12) **United States Design Patent**  
**Jung et al.**

(10) **Patent No.:** **US D515,748 S**

(45) **Date of Patent:** **\*\* Feb. 21, 2006**

(54) **BIRDFEEDER**

*Primary Examiner*—Alan P. Douglas

(75) Inventors: **Richard K. Jung**, Laguna Niguel, CA (US); **Joie L. Puckett**, Long Beach, CA (US)

*Assistant Examiner*—Susan Moon Lee

(73) Assignee: **Perky-Pet Products Company, Inc.**, Denver, CO (US)

(74) *Attorney, Agent, or Firm*—Timothy J. Martin; Michael R. Henson

(\*\*) Term: **14 Years**

(57) **CLAIM**

The ornamental design for a birdfeeder, as shown.

(21) Appl. No.: **29/210,627**

(22) Filed: **Aug. 2, 2004**

**DESCRIPTION**

(51) **LOC (8) Cl.** ..... **30-03**

(52) **U.S. Cl.** ..... **D30/127**

(58) **Field of Classification Search** ..... D30/121,  
D30/124–128, 133; 119/51.01, 52.2–52.4,  
119/57.8–57.9

FIG. 1 is a perspective view of a birdfeeder showing our new design;

FIG. 2 is a front elevational view thereof;

FIG. 3 is a top plan view thereof;

FIG. 4 is a bottom plan view thereof;

FIG. 5 is a left side elevational view thereof;

FIG. 6 is a right side elevational view thereof; and,

FIG. 7 is a rear elevational view thereof.

The broken lines in FIGS. 1–7 are for purposes of illustration only and form no part of the claimed design.

See application file for complete search history.

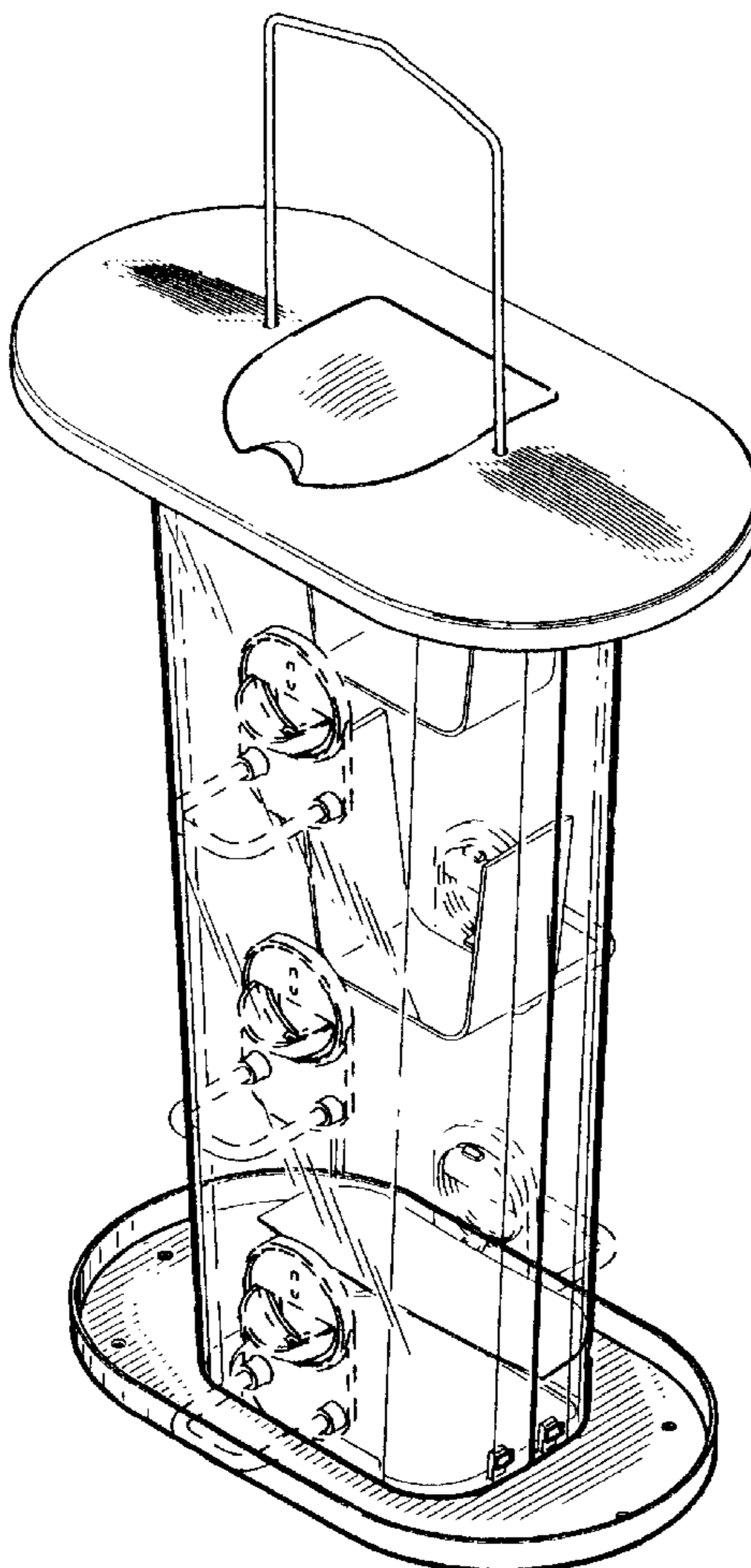
(56) **References Cited**

**U.S. PATENT DOCUMENTS**

D451,251 S \* 11/2001 Chrisco et al. .... D30/124

\* cited by examiner

**1 Claim, 2 Drawing Sheets**



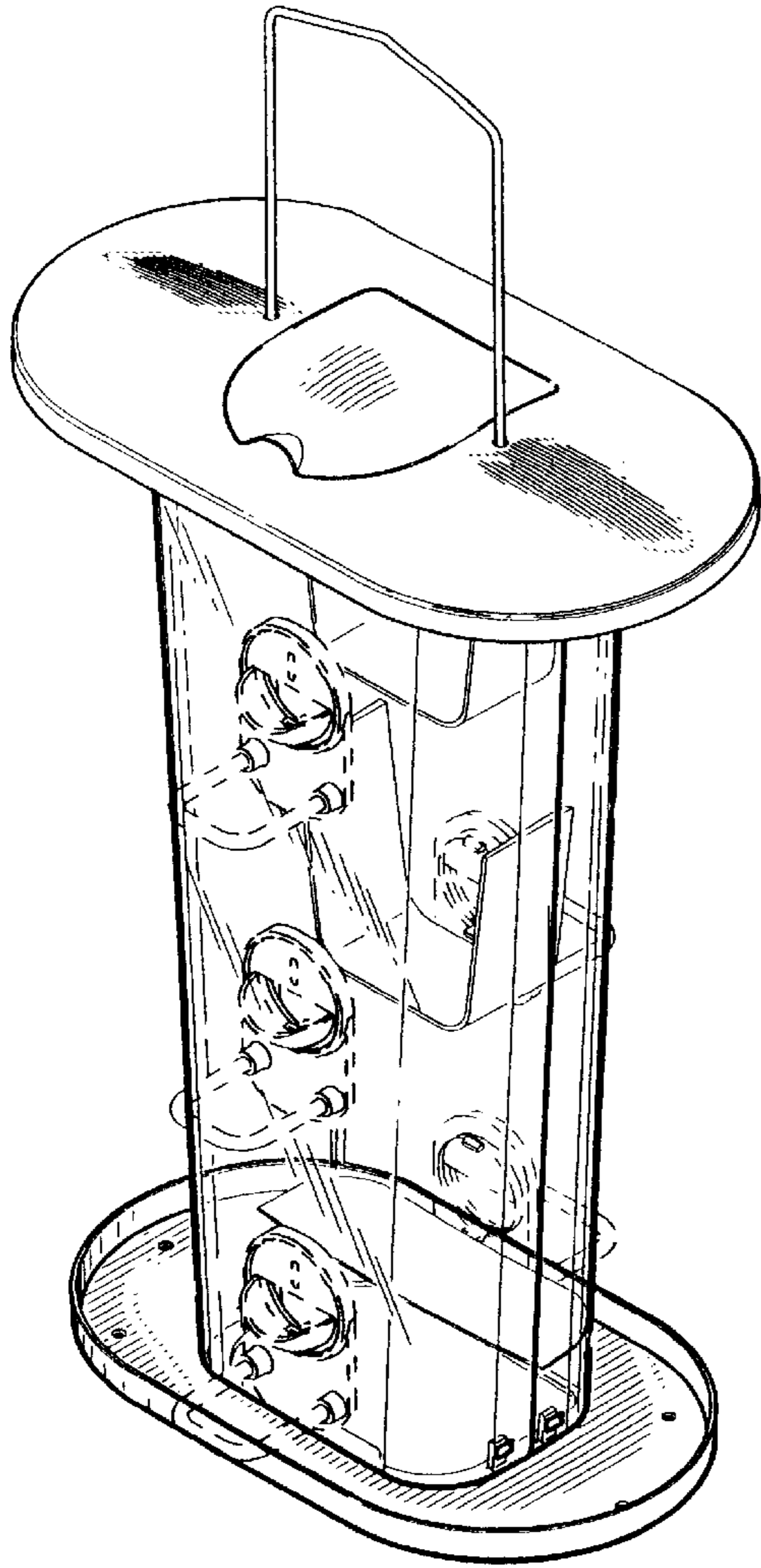


Fig. 1

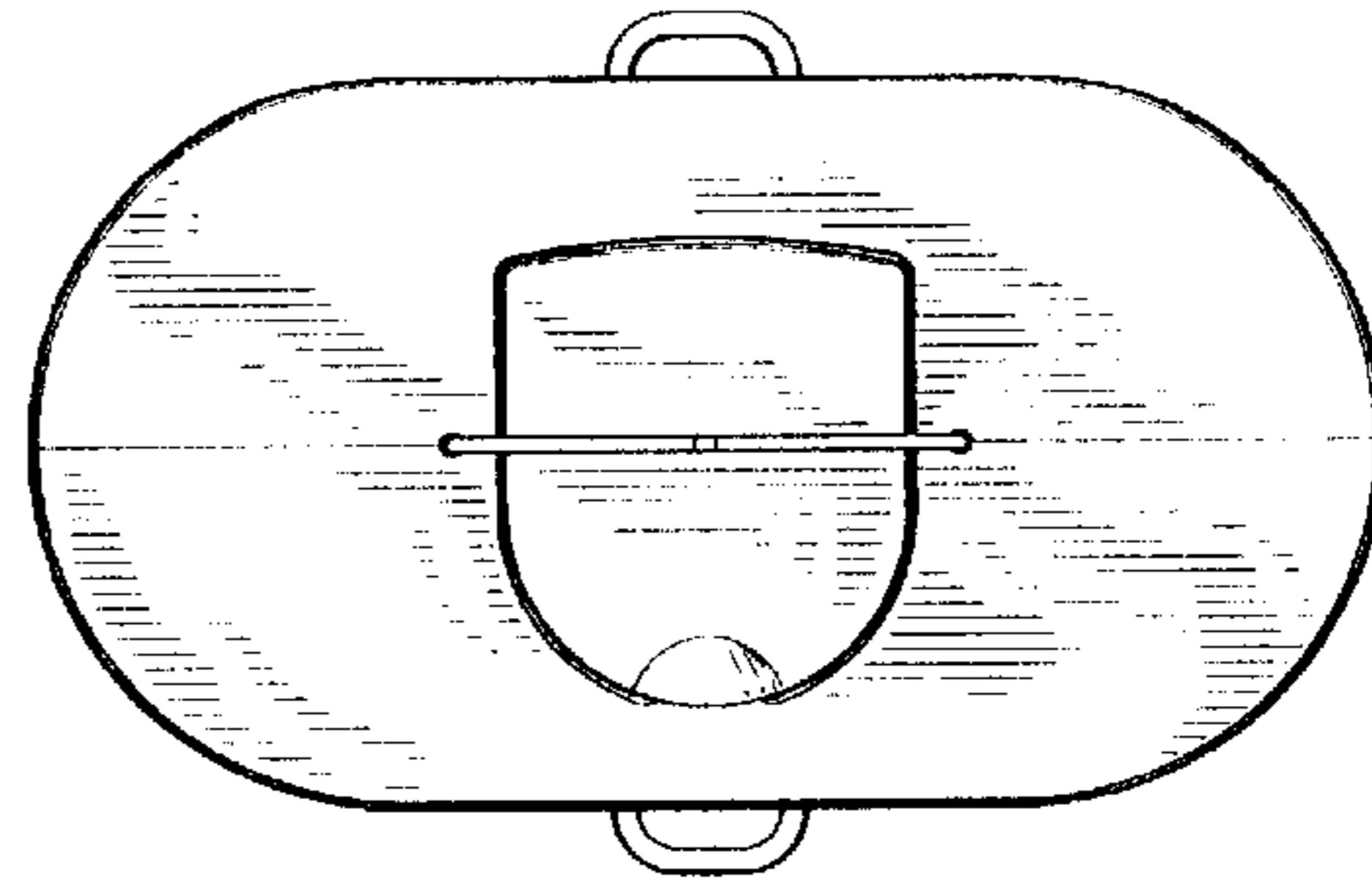


Fig. 3

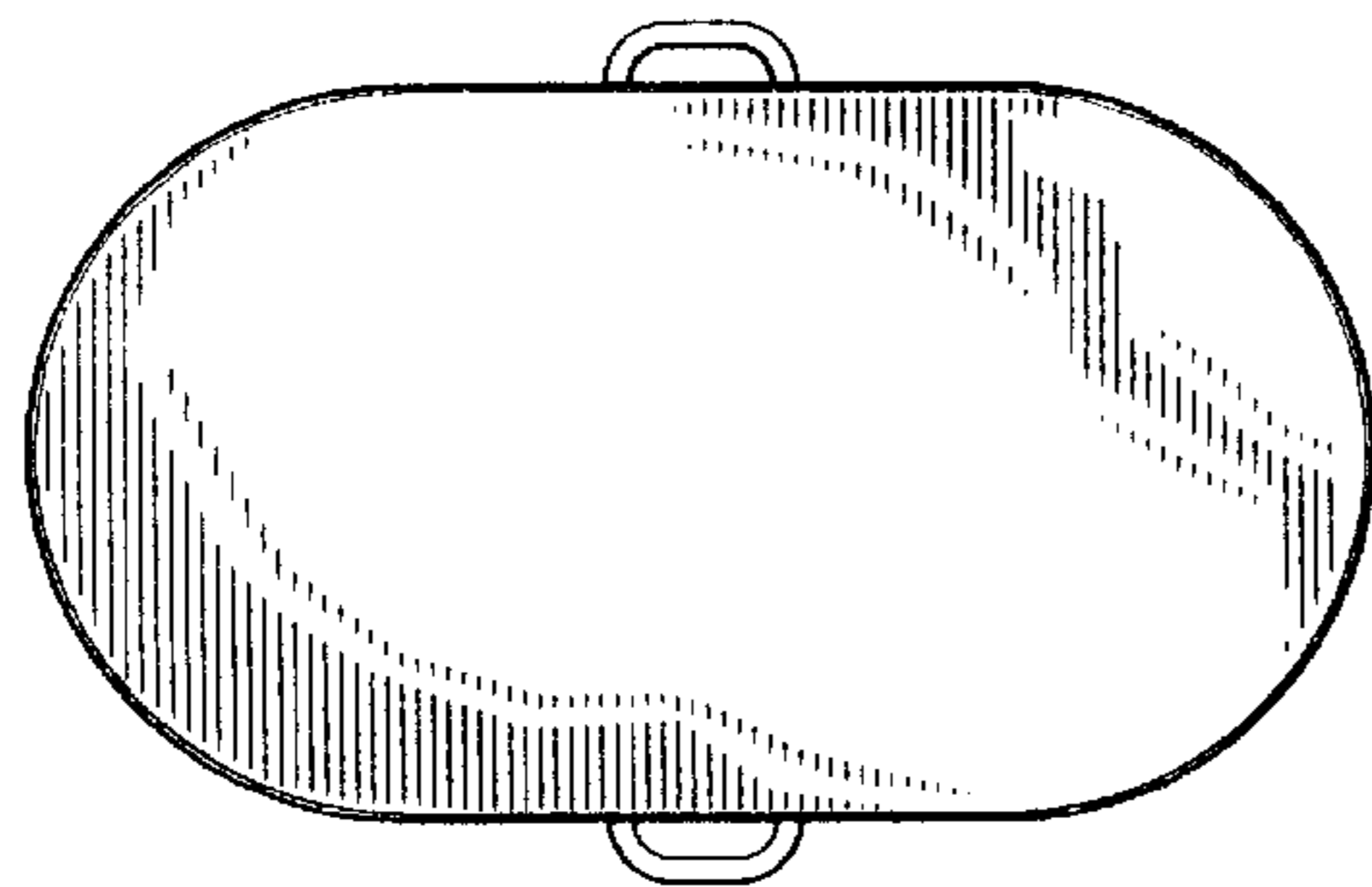


Fig. 4

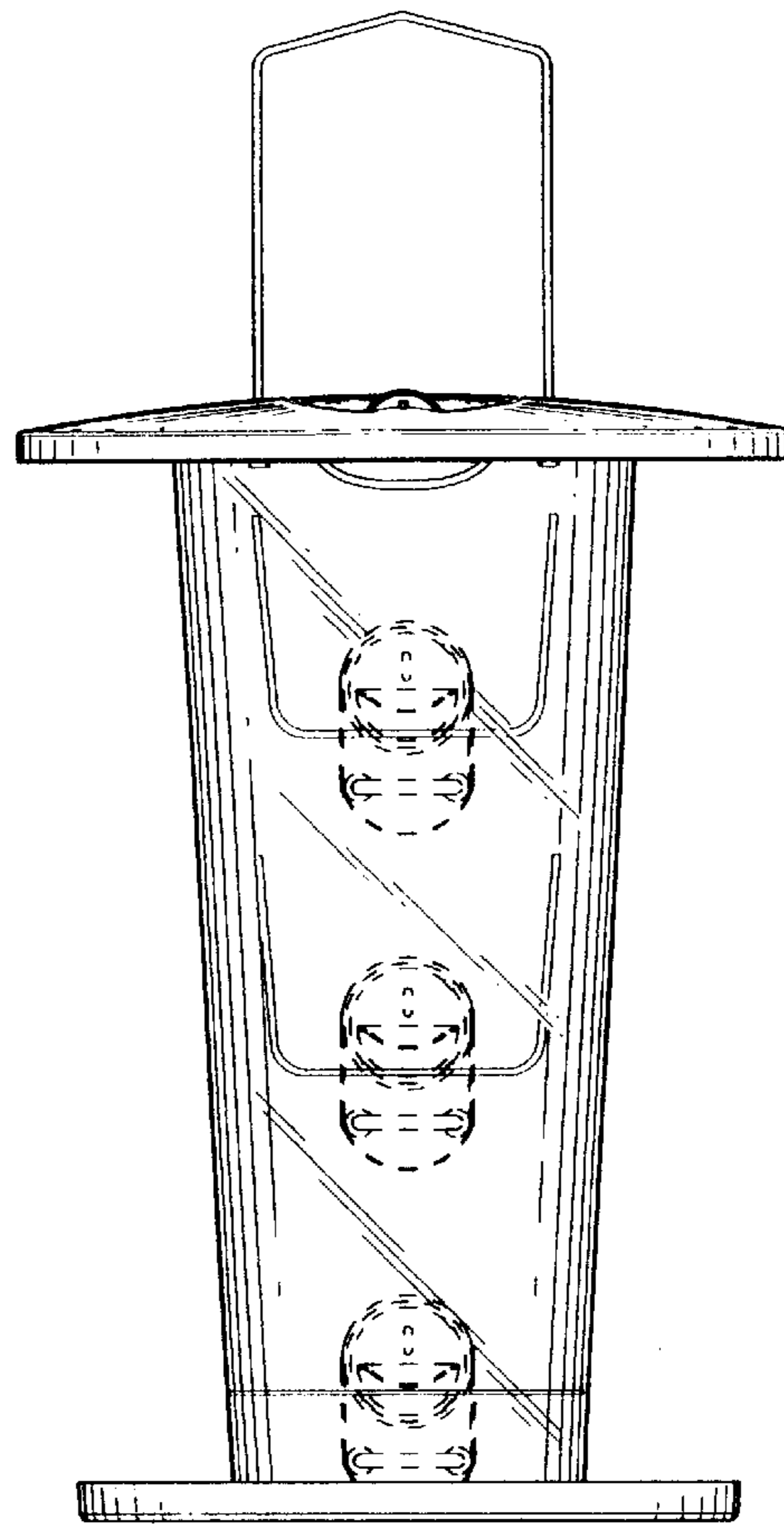


Fig. 2

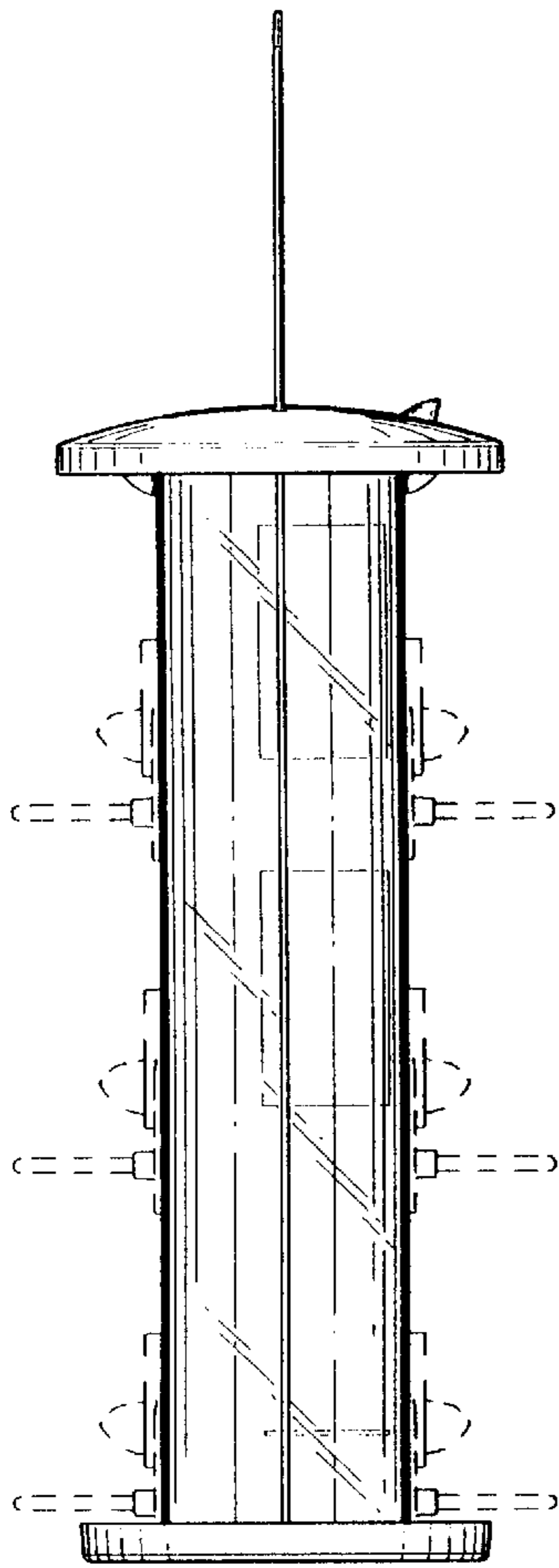


Fig.5

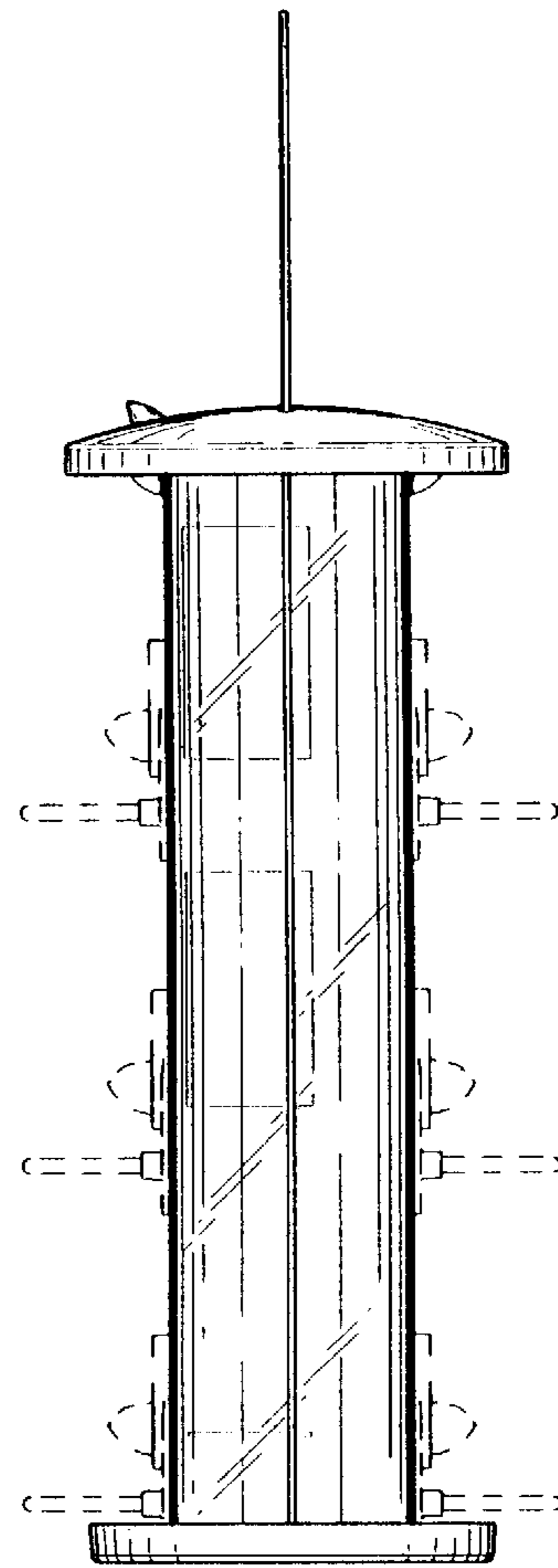


Fig.6

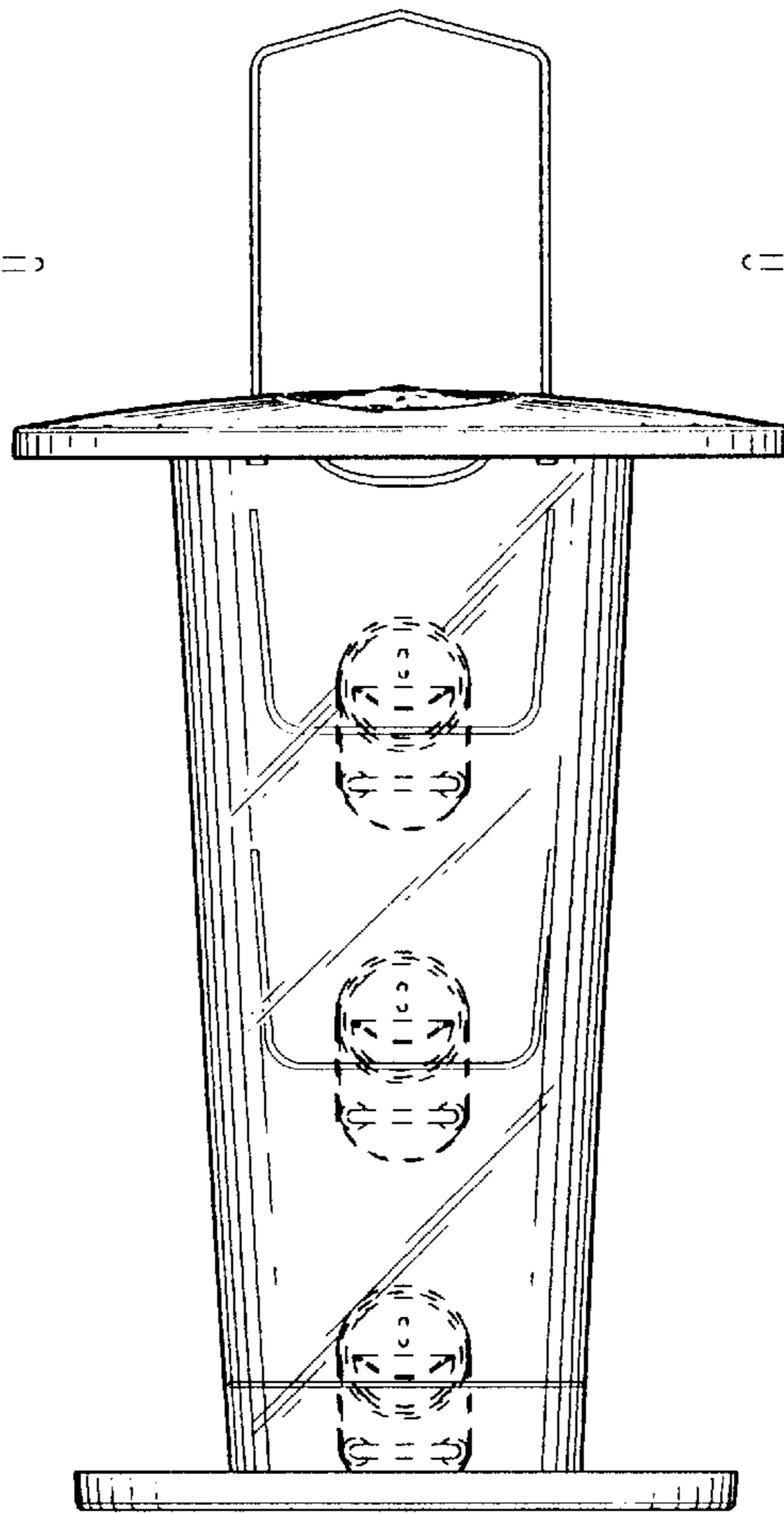


Fig.7