



US00D515747S

(12) **United States Design Patent**
Jung et al.

(10) **Patent No.:** **US D515,747 S**

(45) **Date of Patent:** **** Feb. 21, 2006**

(54) **BIRDFEEDER**

5,123,380 A * 6/1992 Edwards 119/57.8
D367,134 S * 2/1996 Bescherer D30/127

(75) Inventors: **Richard K. Jung**, Laguna Niguel, CA (US); **Joie L. Puckett**, Long Beach, CA (US)

* cited by examiner

(73) Assignee: **Perky-Pet Products Company, Inc.**, Denver, CO (US)

Primary Examiner—Alan P. Douglas
Assistant Examiner—Susan Moon Lee

(**) Term: **14 Years**

(74) *Attorney, Agent, or Firm*—Timothy J. Martin; Michael R. Henson

(21) Appl. No.: **29/210,626**

(57) **CLAIM**

The ornamental design for a birdfeeder, as shown.

(22) Filed: **Aug. 2, 2004**

DESCRIPTION

(51) **LOC (8) Cl.** **30-03**

(52) **U.S. Cl.** **D30/127**

(58) **Field of Classification Search** D30/121,
D30/124–128, 133; 119/51.01, 52.2–52.4,
119/57.8–57.9

FIG. 1 is a perspective view of a birdfeeder showing our new design;

FIG. 2 is a front elevational view of the birdfeeder shown in FIG. 1 with the rear view being a mirror image thereof;

FIG. 3 is a side elevational view thereof;

FIG. 4 is a top plan view thereof; and,

FIG. 5 is a bottom plan view thereof.

See application file for complete search history.

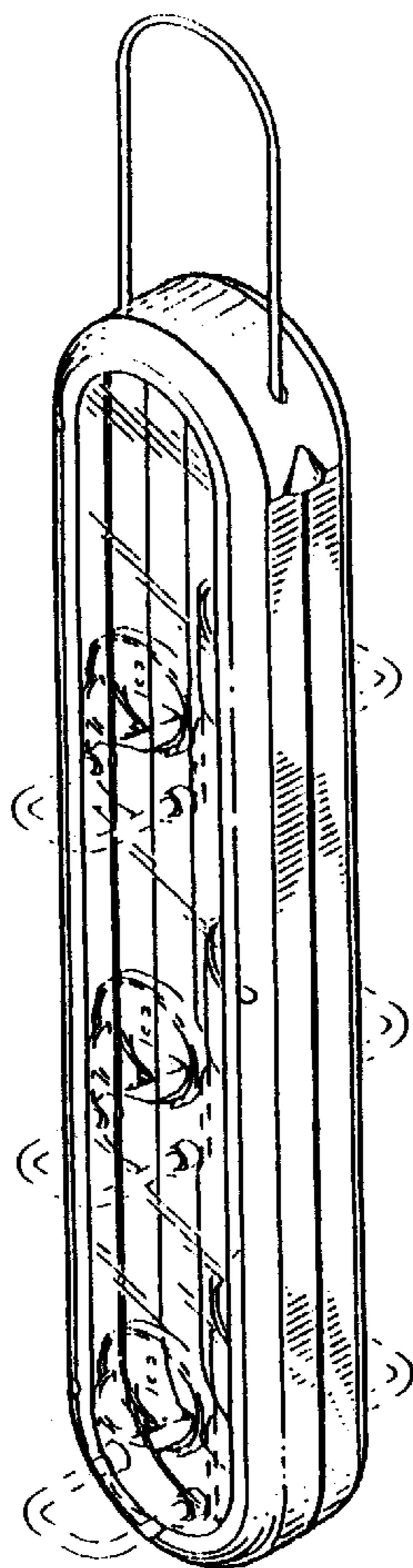
The broken lines in FIGS. 1–5 are for purposes of illustration only and form no part of the claimed design.

(56) **References Cited**

U.S. PATENT DOCUMENTS

4,201,155 A * 5/1980 Hyde, Jr. 119/57.8

1 Claim, 1 Drawing Sheet



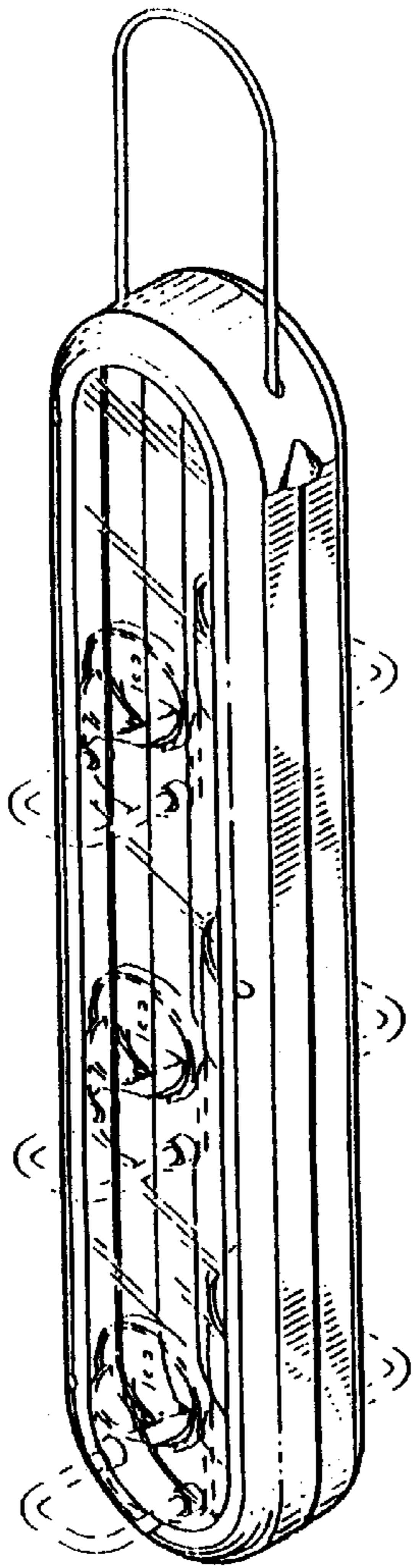


Fig. 1

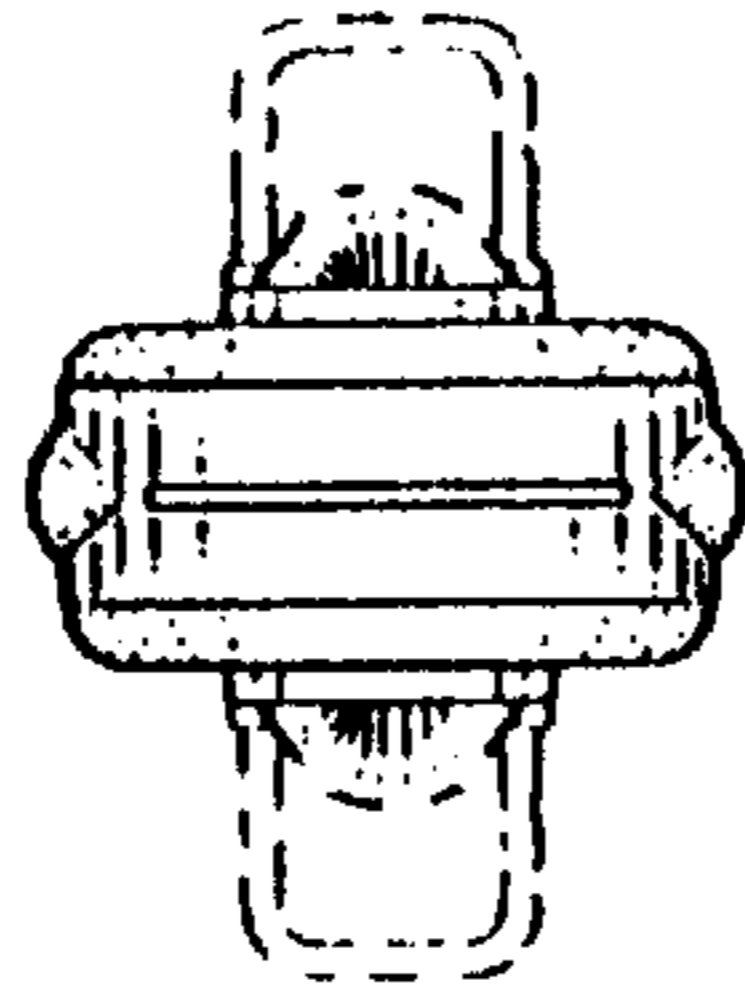


Fig. 4

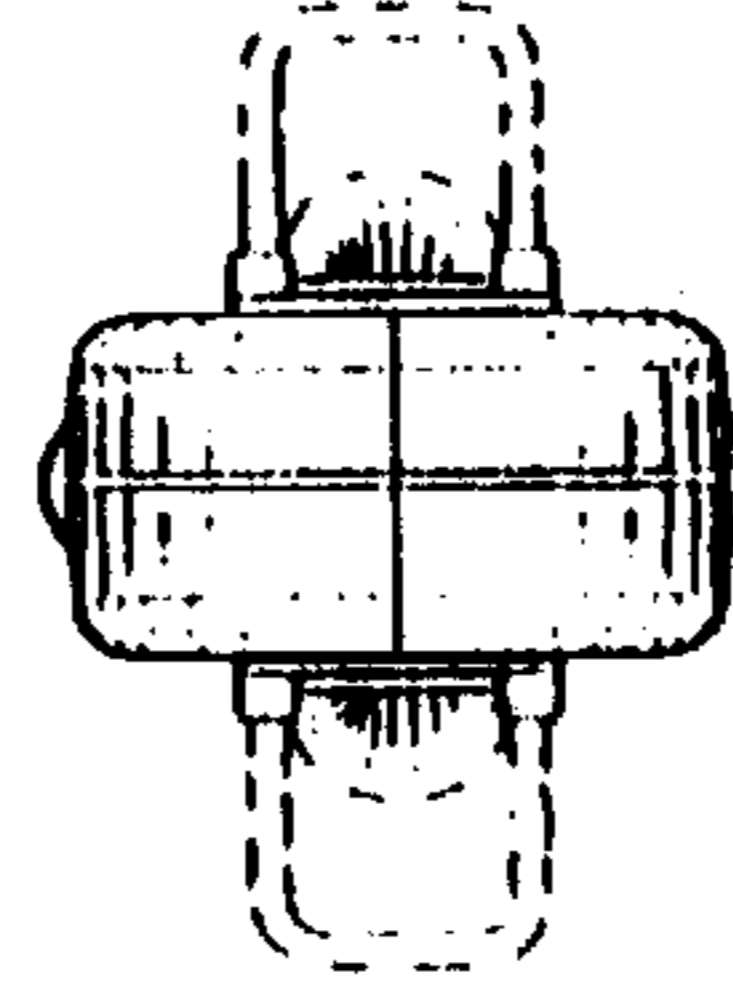


Fig. 5

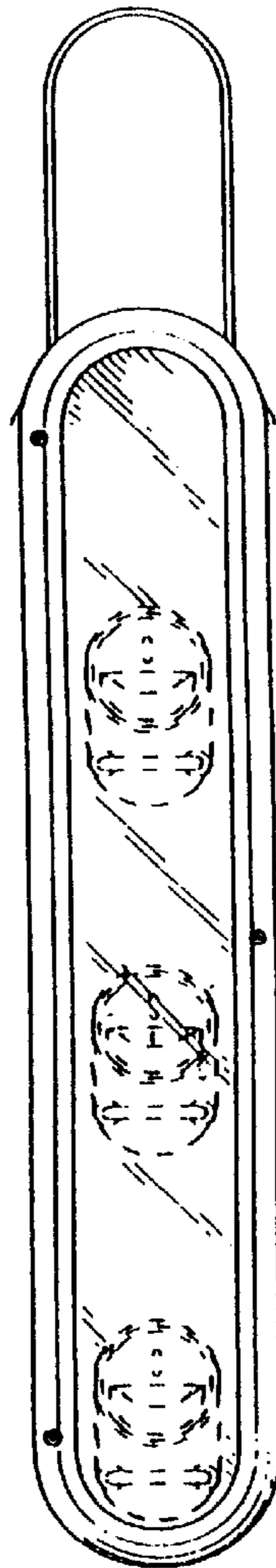


Fig. 2

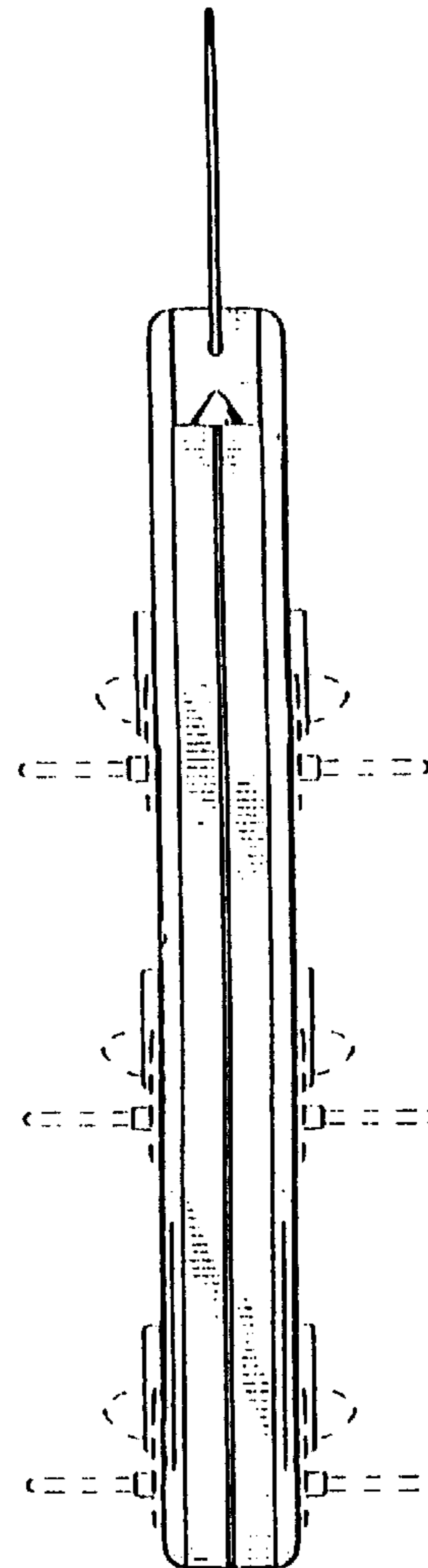


Fig. 3