

US00D515742S

(12) **United States Design Patent** (10) **Patent No.:** **US D515,742 S**  
**Anderson et al.** (45) **Date of Patent:** **\*\* Feb. 21, 2006**

(54) **TWEEZER**

(75) Inventors: **Paul M. Anderson**, Lincroft, NJ (US);  
**Lisa F. Baumgarten**, New York, NY (US);  
**Antonette Bivona**, Bayside, NY (US);  
**John D. Butcher**, Scotch Plains, NJ (US);  
**Ingrid Yung-I Chen**, New York, NY (US);  
**Emily M. Cohen**, New York, NY (US);  
**Jeffery F. Feng**, St. Louis, MO (US);  
**Stacey Leigh Grabiner**, Westfield, NJ (US);  
**David D. Kusch**, St. Louis, MO (US);  
**Jayne H. Lynch**, St. Louis, MO (US);  
**Bryce G. Rutter**, St. Louis, MO (US);  
**Heather S. Sopczynski**, New York, NY (US)

(73) Assignee: **Revlon Consumer Products Corporation**, New York, NY (US)

(\*\*) Term: **14 Years**

(21) Appl. No.: **29/223,995**

(22) Filed: **Feb. 8, 2005**

(51) **LOC (8) Cl.** ..... **28-03**

(52) **U.S. Cl.** ..... **D28/55**

(58) **Field of Classification Search** ..... D28/55;  
D24/143; 606/133, 210, 211; 294/99.1, 99.2

See application file for complete search history.

(56) **References Cited**

**U.S. PATENT DOCUMENTS**

1,889,475 A	*	11/1932	Henkel	.....	294/99.2
D89,315 S	*	2/1933	Segal	.....	D28/55
2,082,062 A	*	6/1937	Johnson	.....	606/210
D214,225 S	*	5/1969	Grand	.....	D28/55
5,047,049 A	*	9/1991	Salai	.....	294/99.2
D327,751 S		7/1992	Colani	.....	D28/55
D483,909 S		12/2003	Todeschini	.....	D28/55

\* cited by examiner

*Primary Examiner*—Jennifer Rivard

(74) *Attorney, Agent, or Firm*—Julie Blackburn

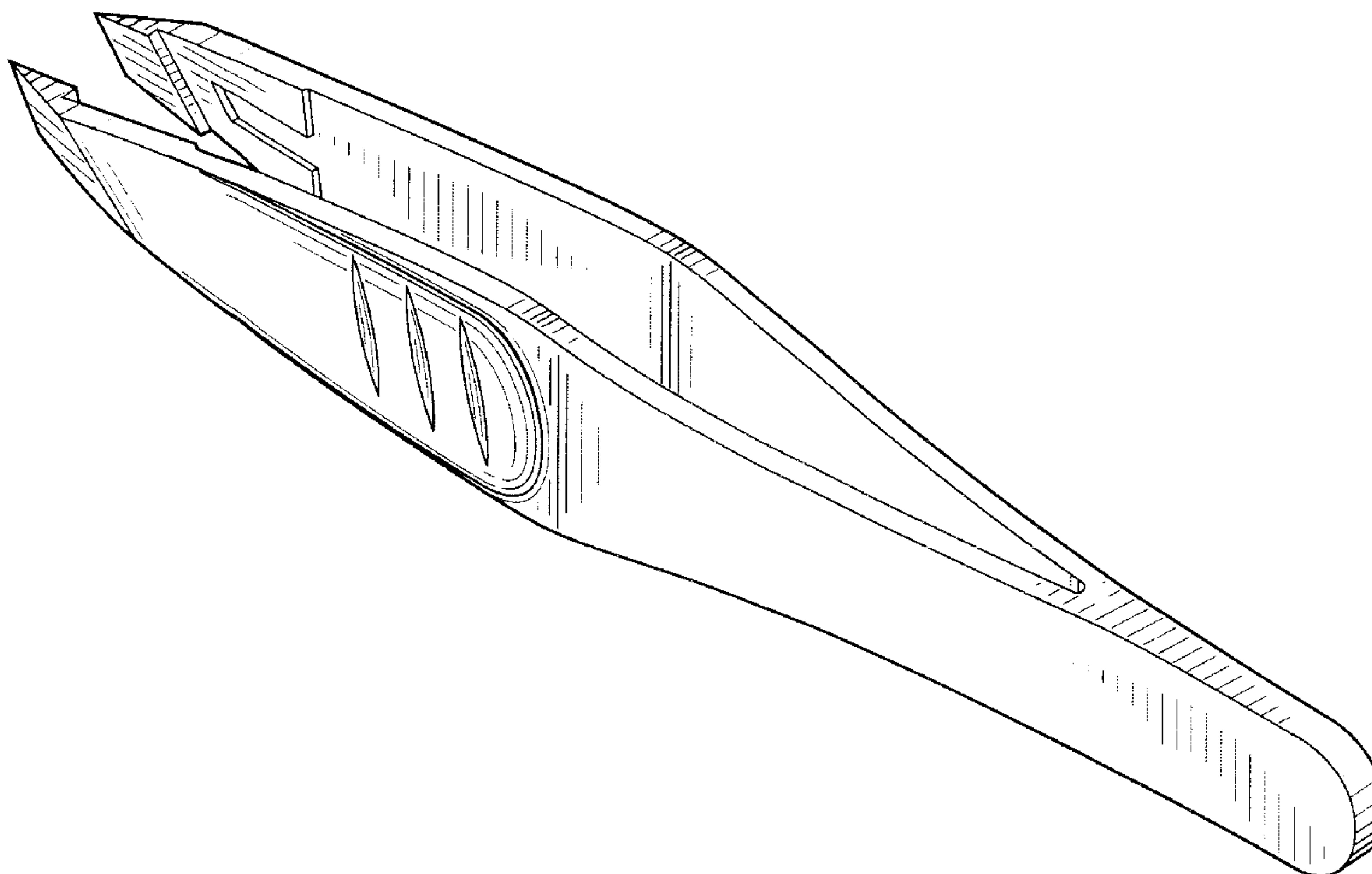
(57) **CLAIM**

The ornamental design for a tweezer, as shown and described.

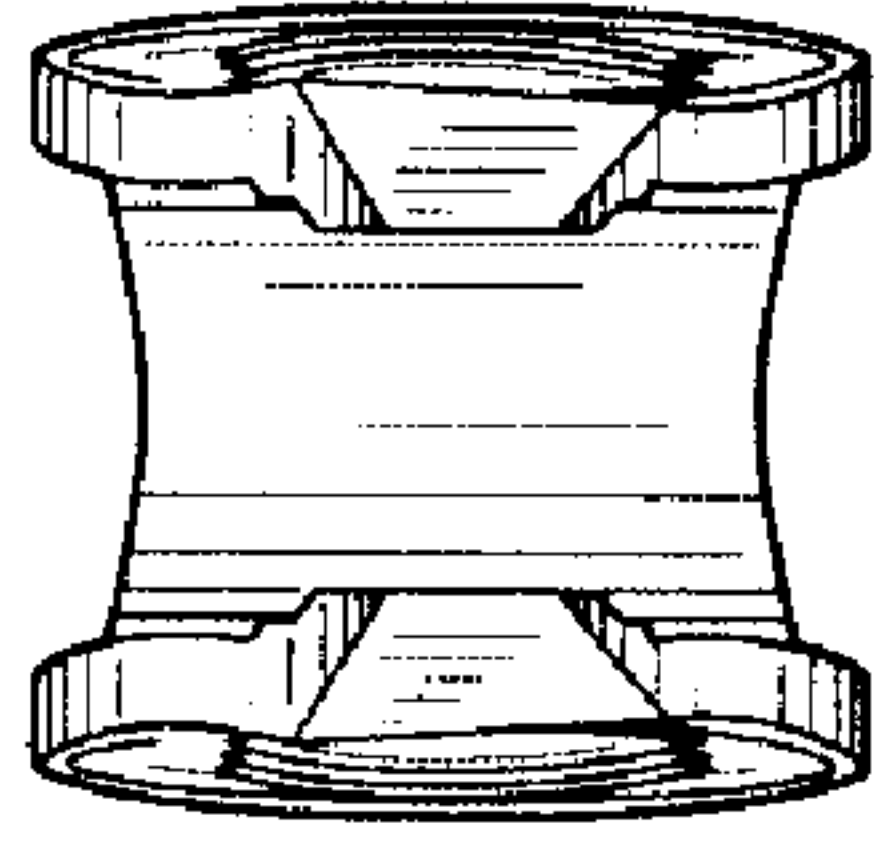
**DESCRIPTION**

FIG. 1: is a front perspective view of the tweezer.  
FIG. 2: is a right side view of the tweezer; the left side view is a mirror image thereof.  
FIG. 3: is a top plan view of the tweezer.  
FIG. 4: is a bottom plan view of the tweezer.  
FIG. 5: is a front view of the tweezer; and,  
FIG. 6: is a back view of the tweezer.

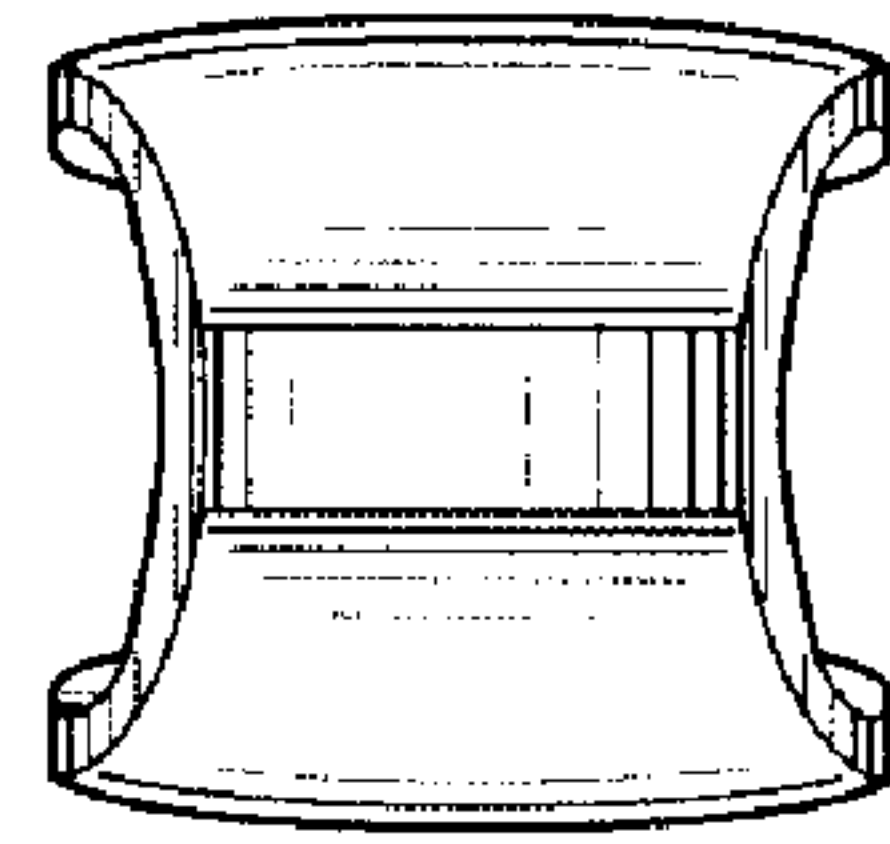
**1 Claim, 2 Drawing Sheets**



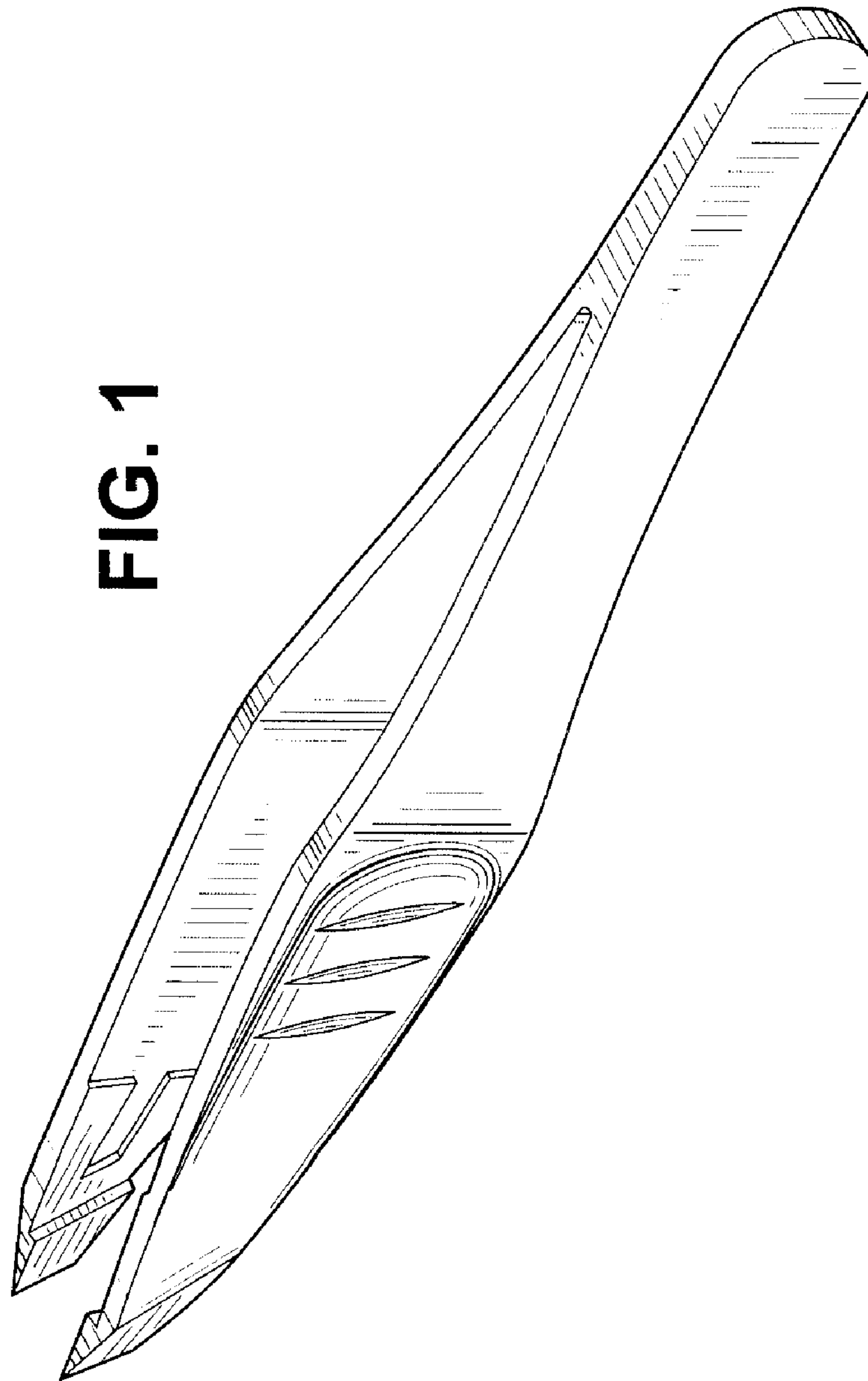
**FIG. 5**



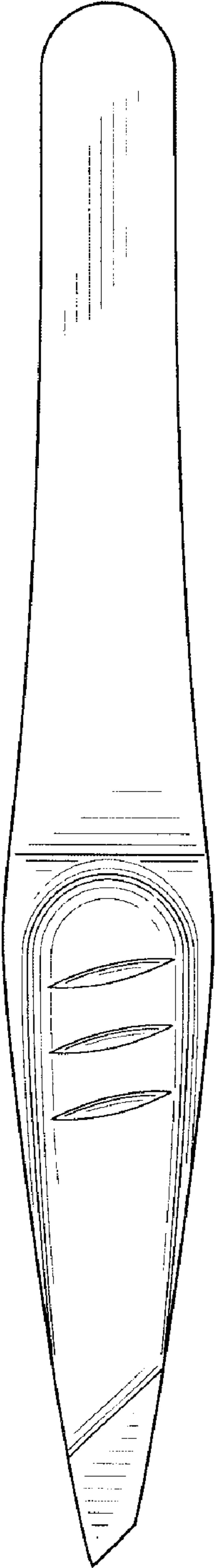
**FIG. 6**



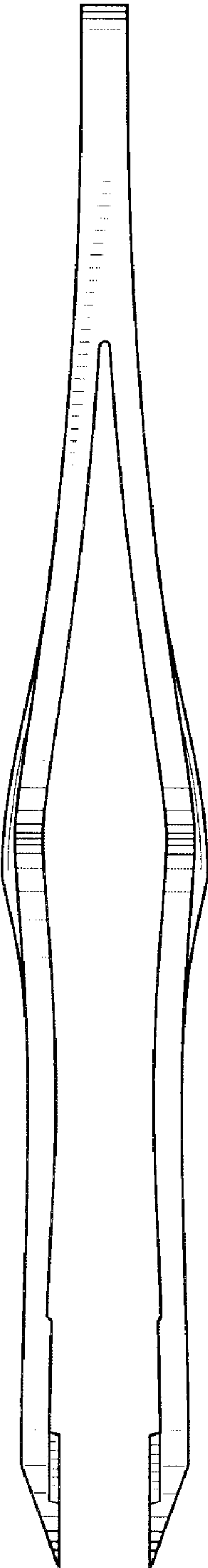
**FIG. 1**



**FIG. 2**



**FIG. 3**



**FIG. 4**

