



US00D515738S

(12) **United States Design Patent**
Grassi

(10) **Patent No.:** **US D515,738 S**

(45) **Date of Patent:** **** Feb. 21, 2006**

(54) **SMOOTHING TONGS FOR HAIR**

D489,483 S * 5/2004 Cho D28/35
2002/0190047 A1 * 12/2002 Nam 219/222

(75) **Inventor:** **Ermes Grassi**, Cazzago San Martino (IT)

* cited by examiner

(73) **Assignee:** **Gamma Piu' S.r.l.**, Cazzago San Martino (IT)

Primary Examiner—Jennifer Rivard
(74) *Attorney, Agent, or Firm*—Shoemaker and Mattare

(**) **Term:** **14 Years**

(57) **CLAIM**

(21) **Appl. No.:** **29/213,421**

The ornamental design for smoothing tongs for hair, as shown and described.

(22) **Filed:** **Sep. 17, 2004**

DESCRIPTION

(30) **Foreign Application Priority Data**

May 7, 2004 (IT) BS2004O0024

FIG. 1 is a perspective view of a smoothing tongs, showing my new design from the top, front and left end;

(51) **LOC (8) Cl.** **28-03**

FIG. 2 is a perspective view thereof from the bottom and left side;

(52) **U.S. Cl.** **D28/35**

(58) **Field of Classification Search** D28/35-37;
132/223-226, 229, 232, 269, 271; 219/222,
219/225, 226

FIG. 3 is a perspective view thereof from the rear and left side;

See application file for complete search history.

FIG. 4 is a perspective view thereof from the bottom and right side;

(56) **References Cited**

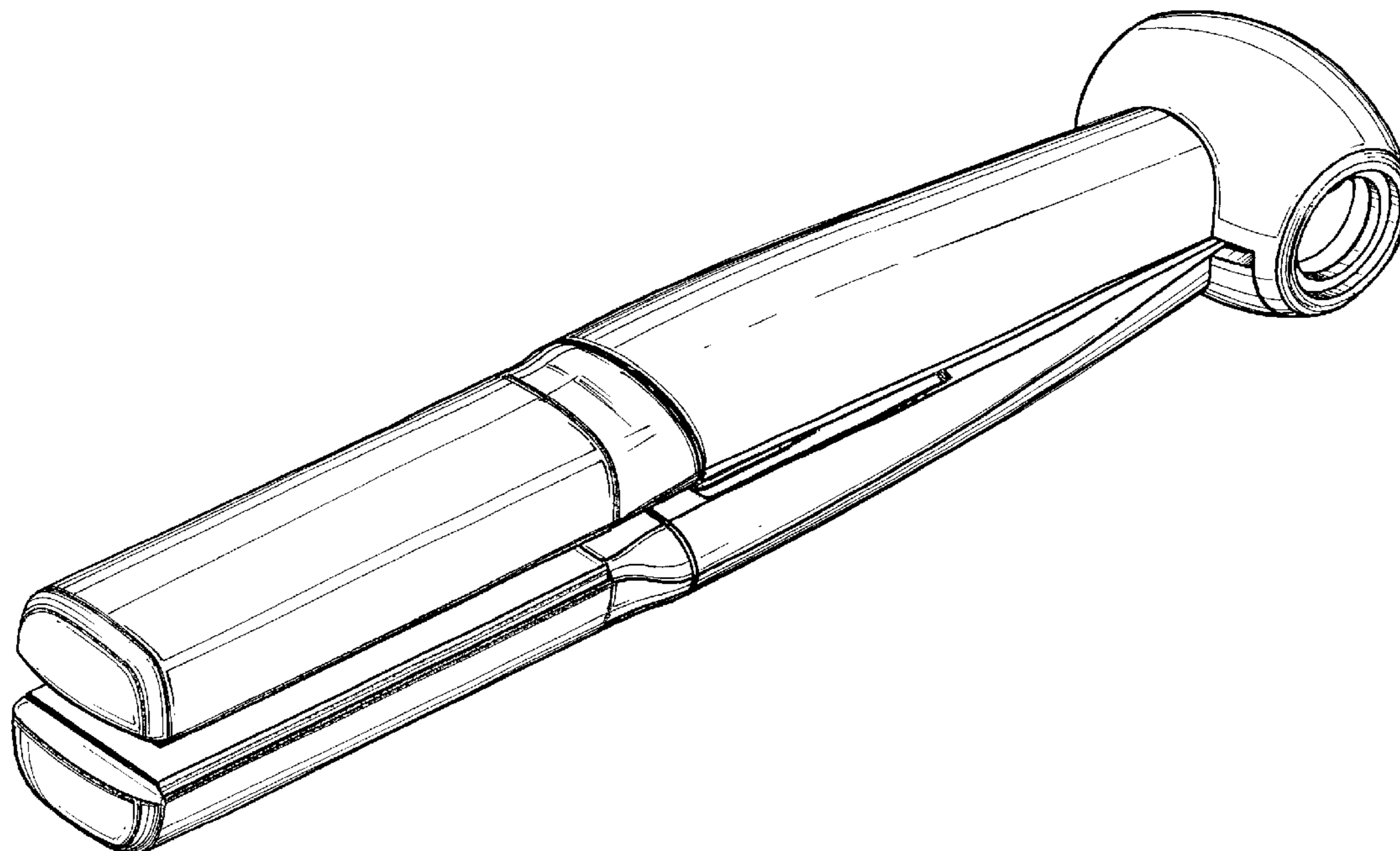
FIG. 5 is a front elevation view thereof; and,

U.S. PATENT DOCUMENTS

FIG. 6 is a bottom plan view thereof.

6,622,735 B2 * 9/2003 Hirata et al. 132/224

1 Claim, 5 Drawing Sheets



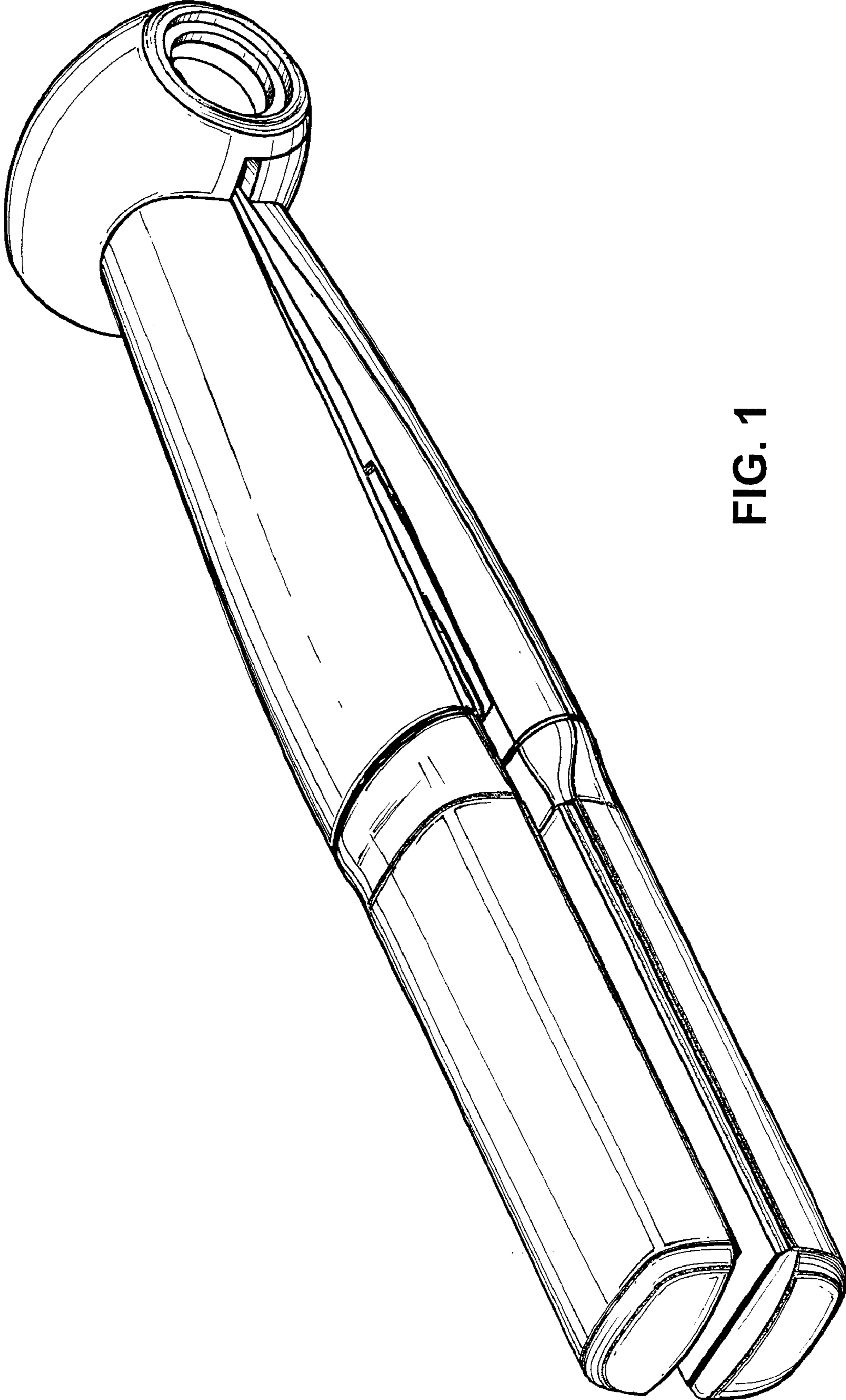


FIG. 1

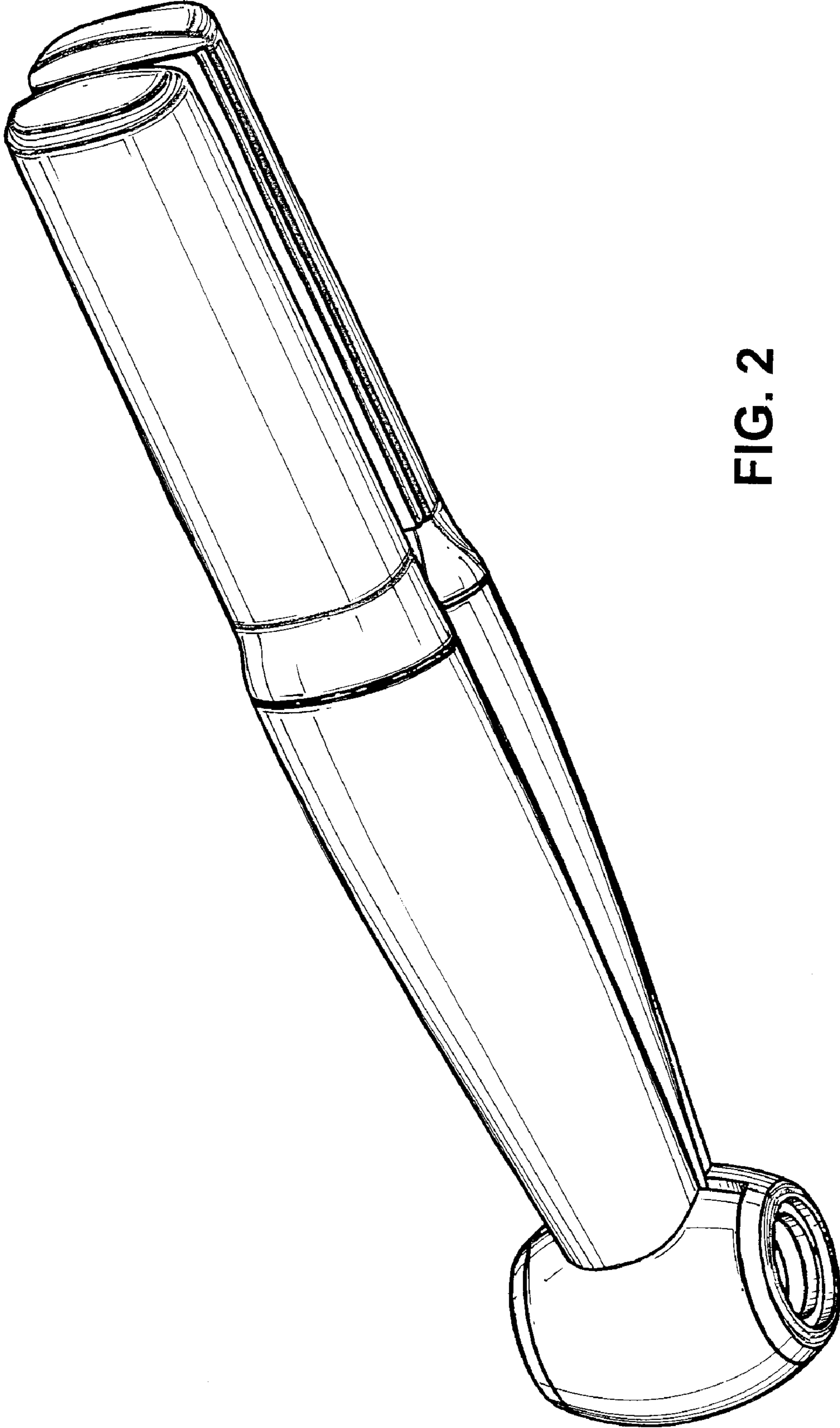


FIG. 2

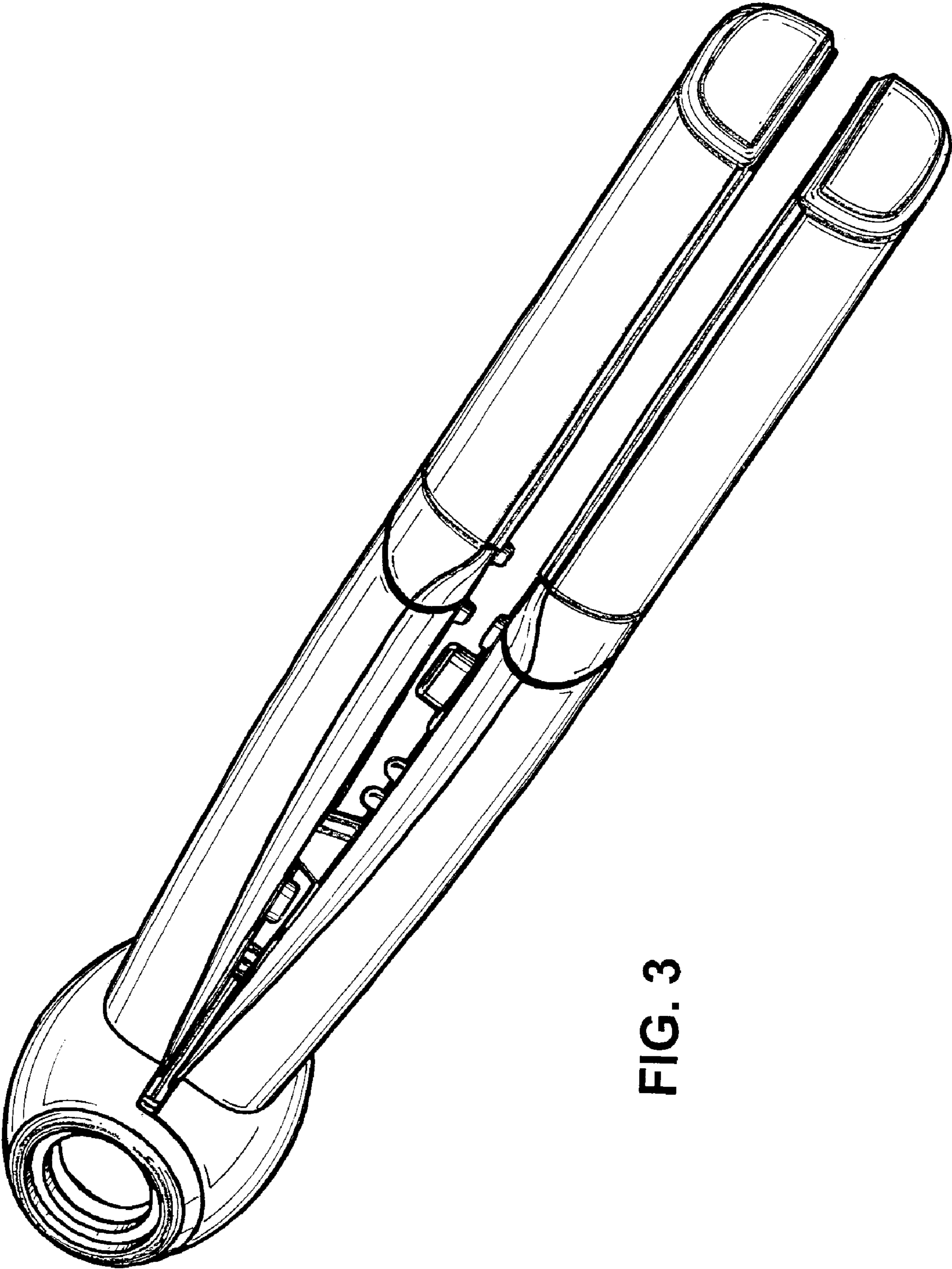


FIG. 3

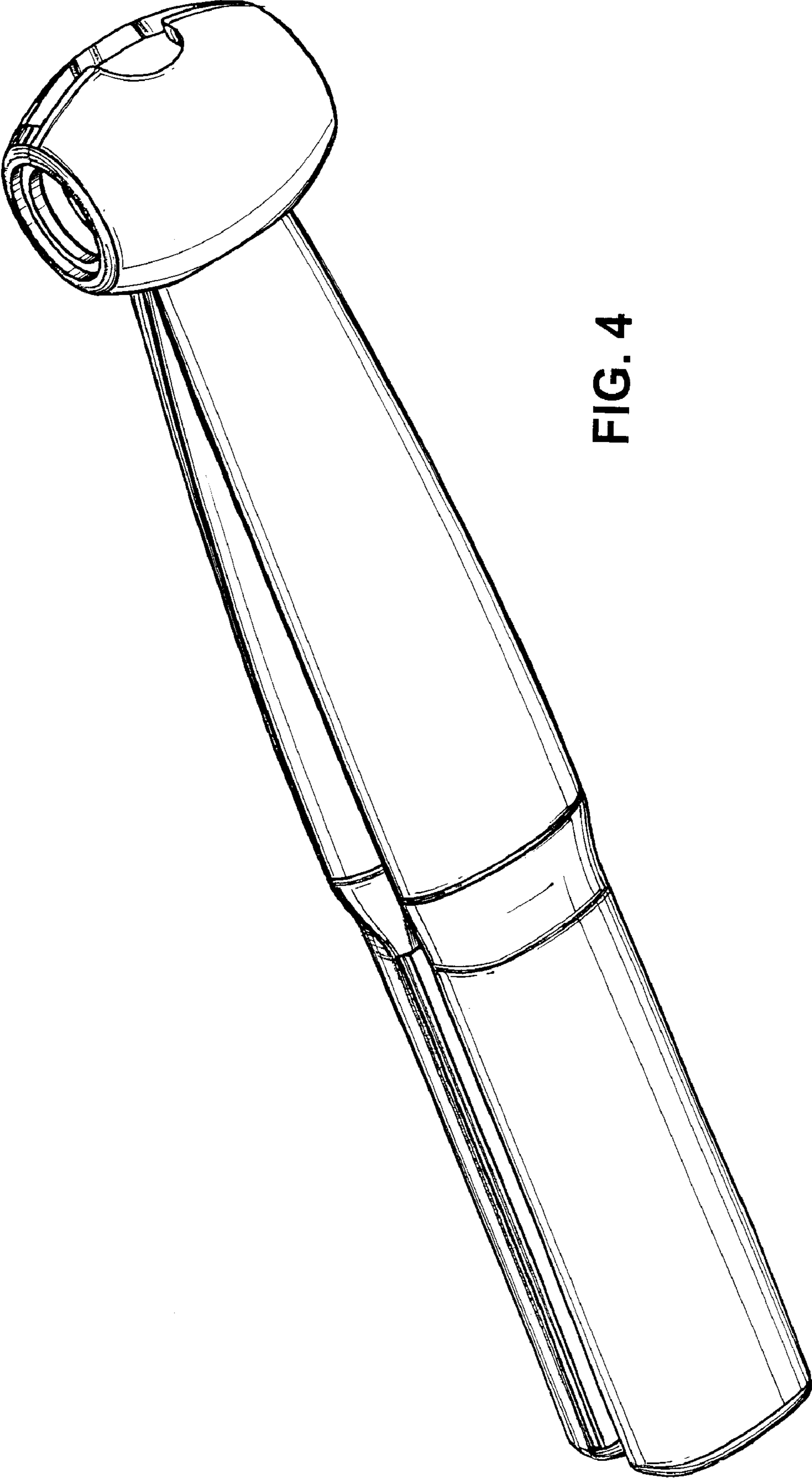


FIG. 4

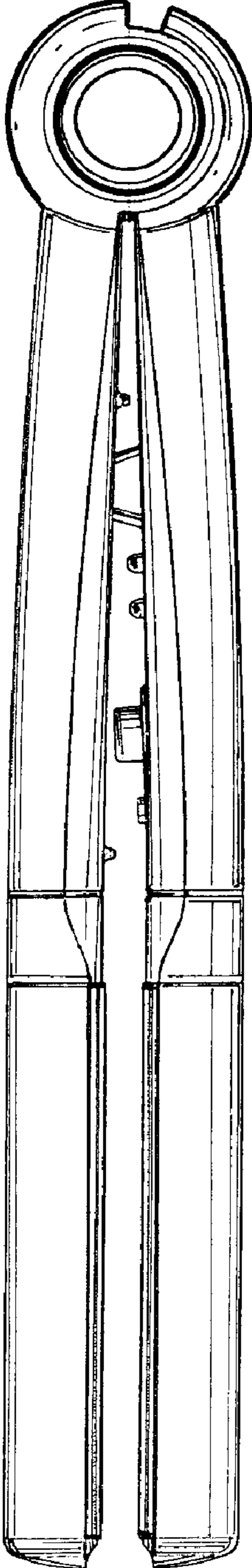


FIG. 5

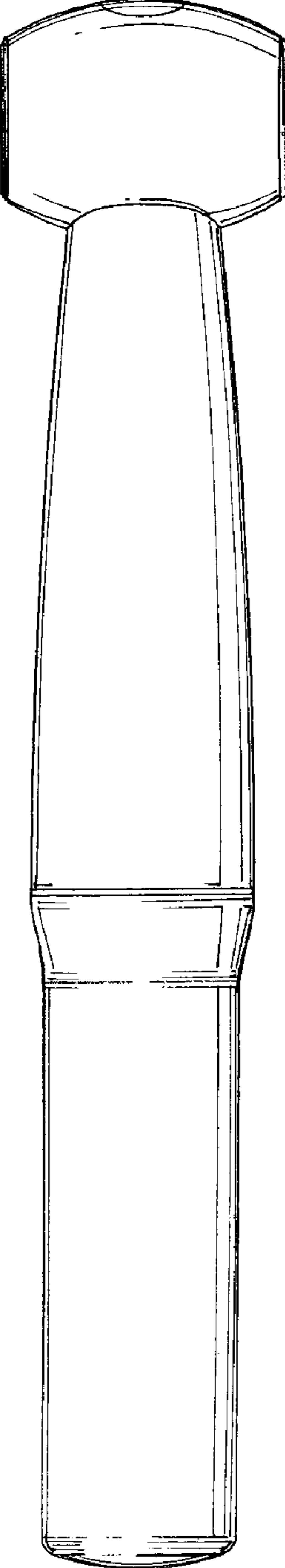


FIG. 6