



US00D515737S

(12) **United States Design Patent**
Angeletta

(10) **Patent No.:** **US D515,737 S**

(45) **Date of Patent:** **** Feb. 21, 2006**

(54) **LIQUID AND LOTION APPLICATOR WITH FINGER ACTUATED PUMP**

(76) **Inventor:** **Joseph G. Angeletta**, 418 Fifth St., Mamaroneck, NY (US) 10543

(**) **Term:** **14 Years**

(21) **Appl. No.:** **29/168,756**

(22) **Filed:** **Oct. 8, 2002**

Related U.S. Application Data

(63) Continuation-in-part of application No. 29/138,927, filed on Mar. 21, 2001.

(51) **LOC (8) Cl.** **28-02**

(52) **U.S. Cl.** **D28/7**

(58) **Field of Classification Search** D28/7,
D28/63; D9/448, 682, 684, 686-694, 300,
D9/338, 521, 542, 543, 564; D24/119; D4/114,
D4/137, 127, 138, 119, 120, 116; D32/45,
D32/51, 40; 132/320, 317; 401/6, 196, 187,
401/190, 139, 146, 263, 264, 266, 202-207;
15/209.1, 210.1, 104.94, 143.1, 244.1; 222/321.1,
222/321.9; 239/323

See application file for complete search history.

(56) **References Cited**

U.S. PATENT DOCUMENTS

4,289,153 A * 9/1981 Paccione 132/313
4,322,020 A * 3/1982 Stone 222/95
D289,564 S * 4/1987 Harford D28/7
D318,180 S * 7/1991 Yip Kai-Wing D4/138
5,299,876 A * 4/1994 Singarella 401/139

5,308,181 A * 5/1994 Hull et al. 401/206
5,322,382 A * 6/1994 Hull et al. 401/131
D369,882 S * 5/1996 McCarthy D28/7
D376,910 S * 12/1996 Tuchman D4/114
D392,558 S * 3/1998 Monaghan D9/300
D407,320 S * 3/1999 Costen et al. D9/564
D445,954 S * 7/2001 Angeletta D28/7
D449,707 S * 10/2001 Angeletta D28/7
D461,277 S * 8/2002 Angeletta D28/7
D461,279 S * 8/2002 Angeletta D28/7
D461,596 S * 8/2002 Angeletta D28/7
D481,167 S * 10/2003 Angeletta D28/7
D490,563 S * 5/2004 Angeletta D28/7
D493,253 S * 7/2004 Angeletta D28/7
D493,569 S * 7/2004 Angeletta D28/7

* cited by examiner

Primary Examiner—Lucy Lieberman

(74) *Attorney, Agent, or Firm*—Scully, Scott, Murphy & Presser

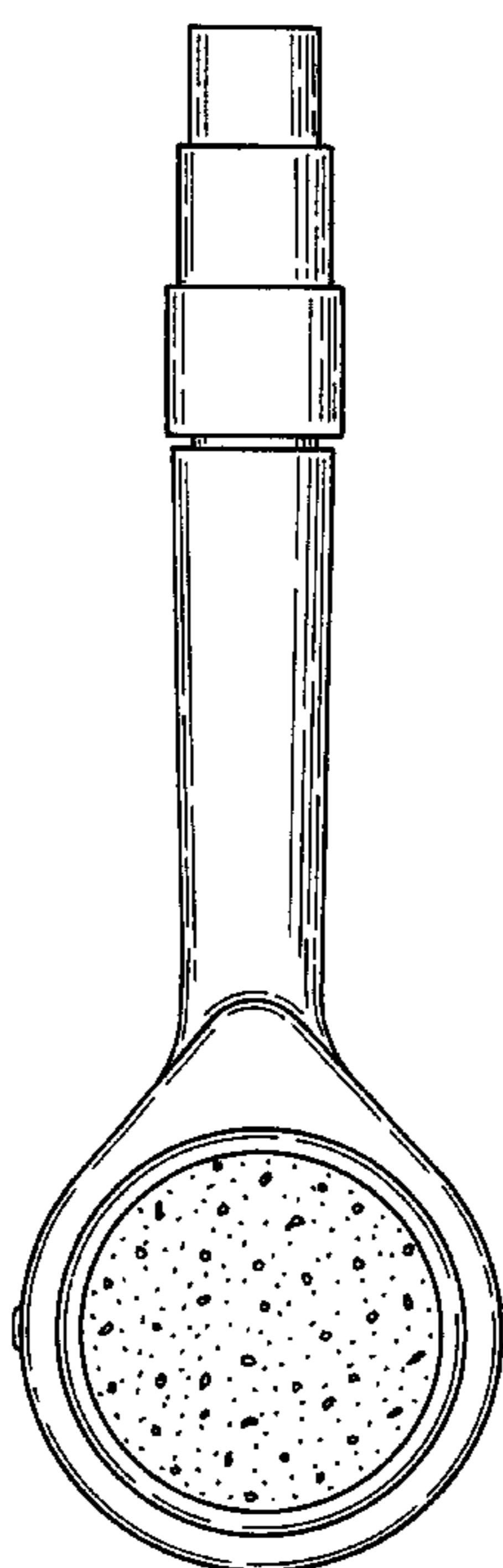
(57) **CLAIM**

The ornamental design for a liquid and lotion applicator with finger actuated pump, as shown and described.

DESCRIPTION

FIG. 1 illustrates a side view of a liquid and lotion applicator with finger actuated pump showing my new and ornamental design, the opposite side being a mirror-image thereof; FIG. 2 illustrates a bottom view thereof; FIG. 3 illustrates a top view thereof; and, FIG. 4 illustrates a fragmentary perspective view shown on an enlarged scale.

1 Claim, 1 Drawing Sheet



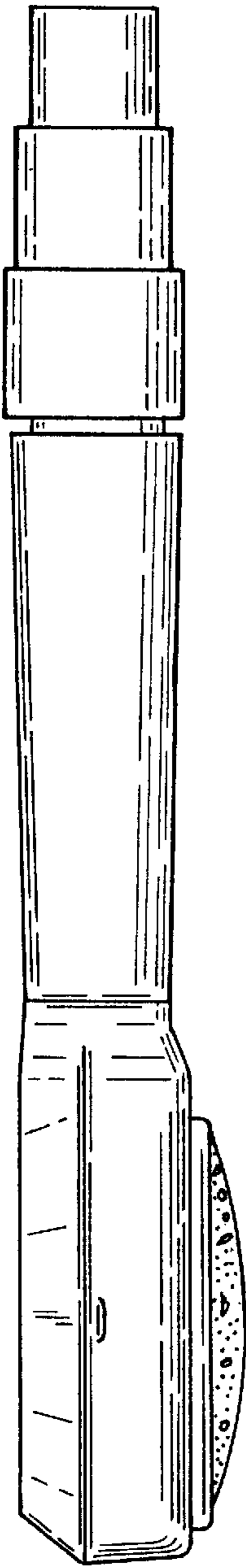


FIG. 1

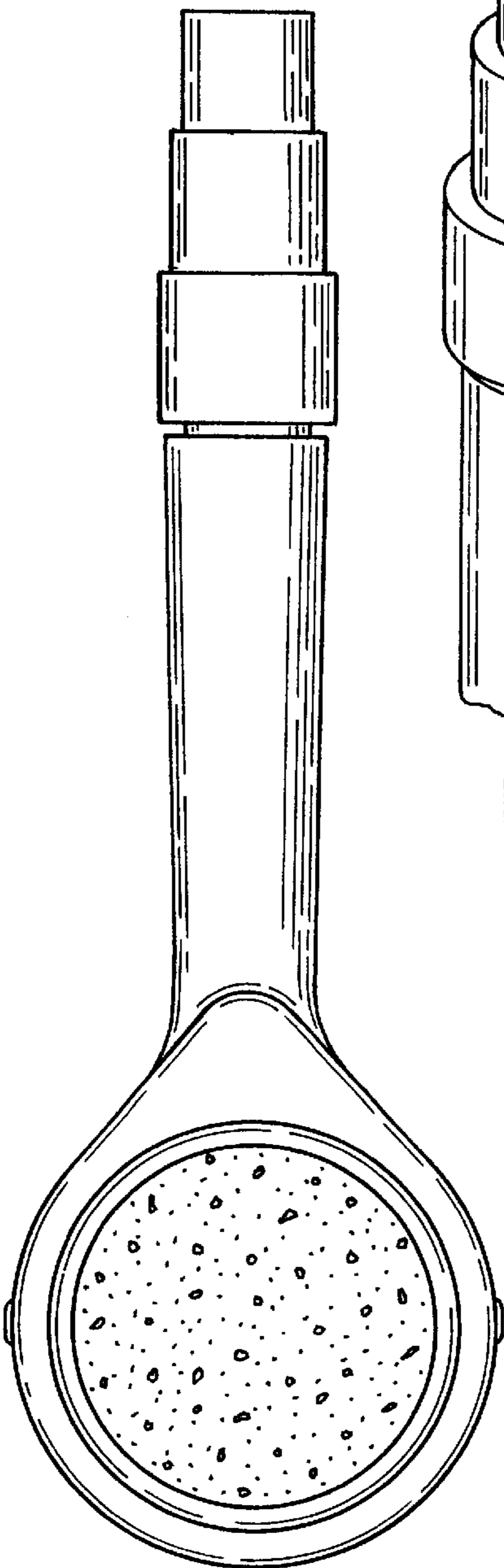


FIG. 2

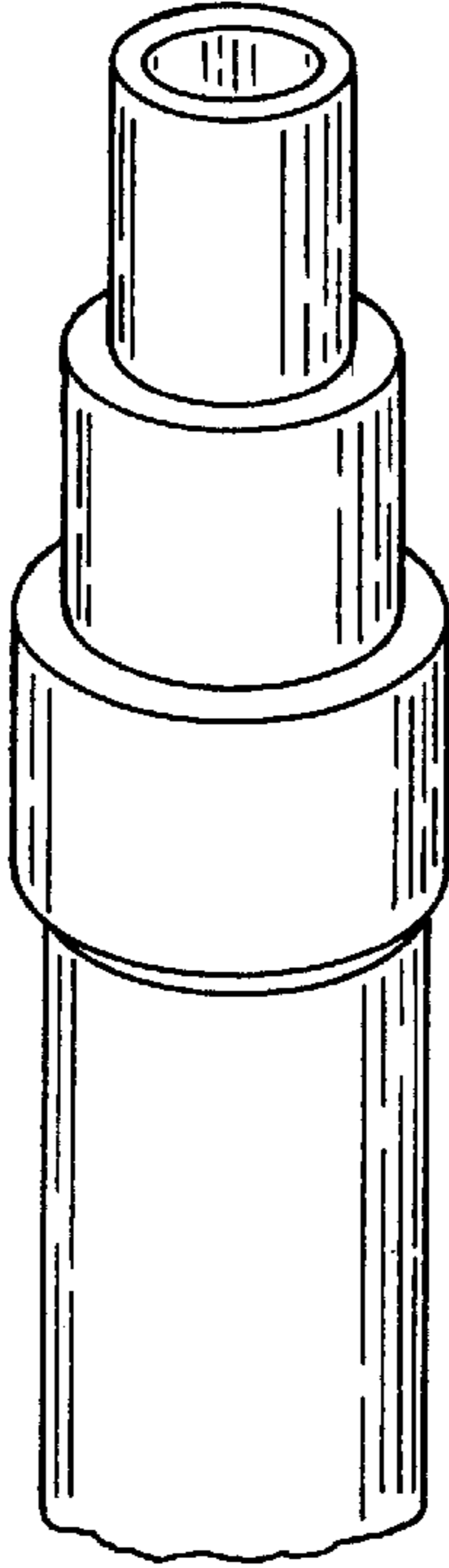


FIG. 4

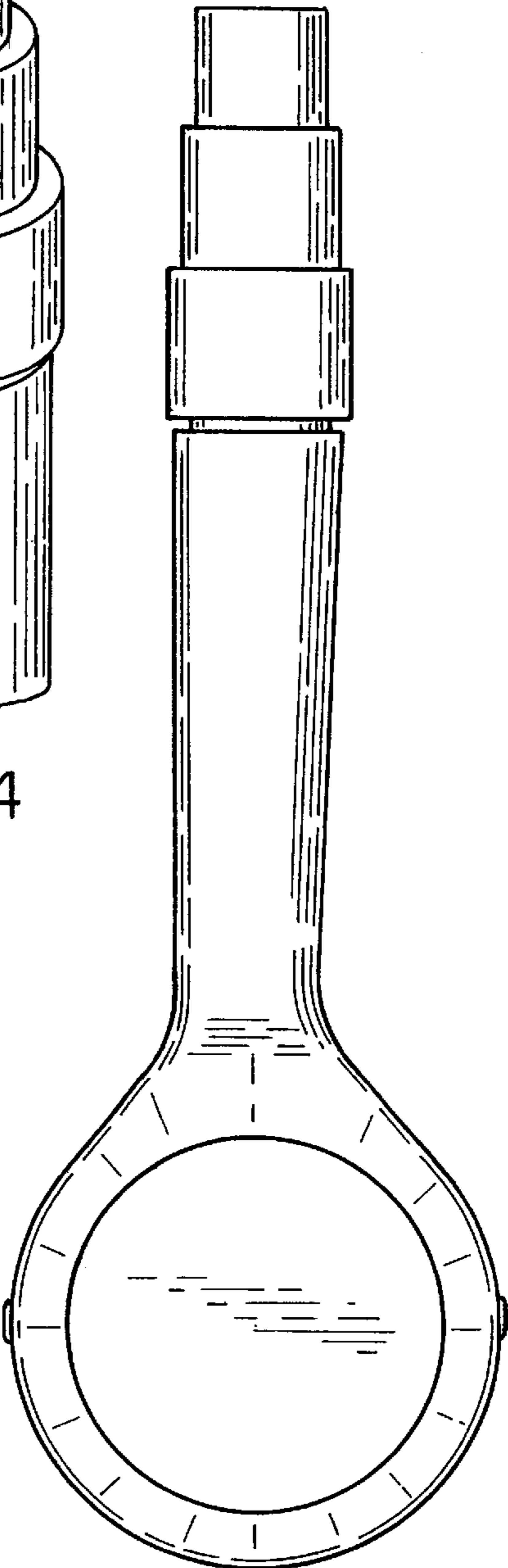


FIG. 3