



US00D515732S

(12) **United States Design Patent**
Smith

(10) **Patent No.:** **US D515,732 S**

(45) **Date of Patent:** **** Feb. 21, 2006**

(54) **COMBINATION LIGHTER AND CUTTER**

(75) **Inventor:** **Andrew D. Smith, Pascoag, RI (US)**

(73) **Assignee:** **Colibri Corporation, Providence, RI (US)**

(**) **Term:** **14 Years**

(21) **Appl. No.:** **29/222,902**

(22) **Filed:** **Feb. 4, 2005**

(51) **LOC (8) Cl. 27-05**

(52) **U.S. Cl. D27/143; D27/157**

(58) **Field of Classification Search** D27/141,
D27/142, 143, 152-160; 30/109, 111, 112,
30/113; 431/129, 143, 151-153, 253-256;
131/249

See application file for complete search history.

(56) **References Cited**

U.S. PATENT DOCUMENTS

D243,775 S * 3/1977 Ohsawa D27/154
D246,471 S * 11/1977 Stutzer et al. D27/157

D345,438 S * 3/1994 Tracol D27/157
D494,707 S * 8/2004 Fontaine D27/141

* cited by examiner

Primary Examiner—Jennifer Rivard

(74) *Attorney, Agent, or Firm*—Salter & Michaelson

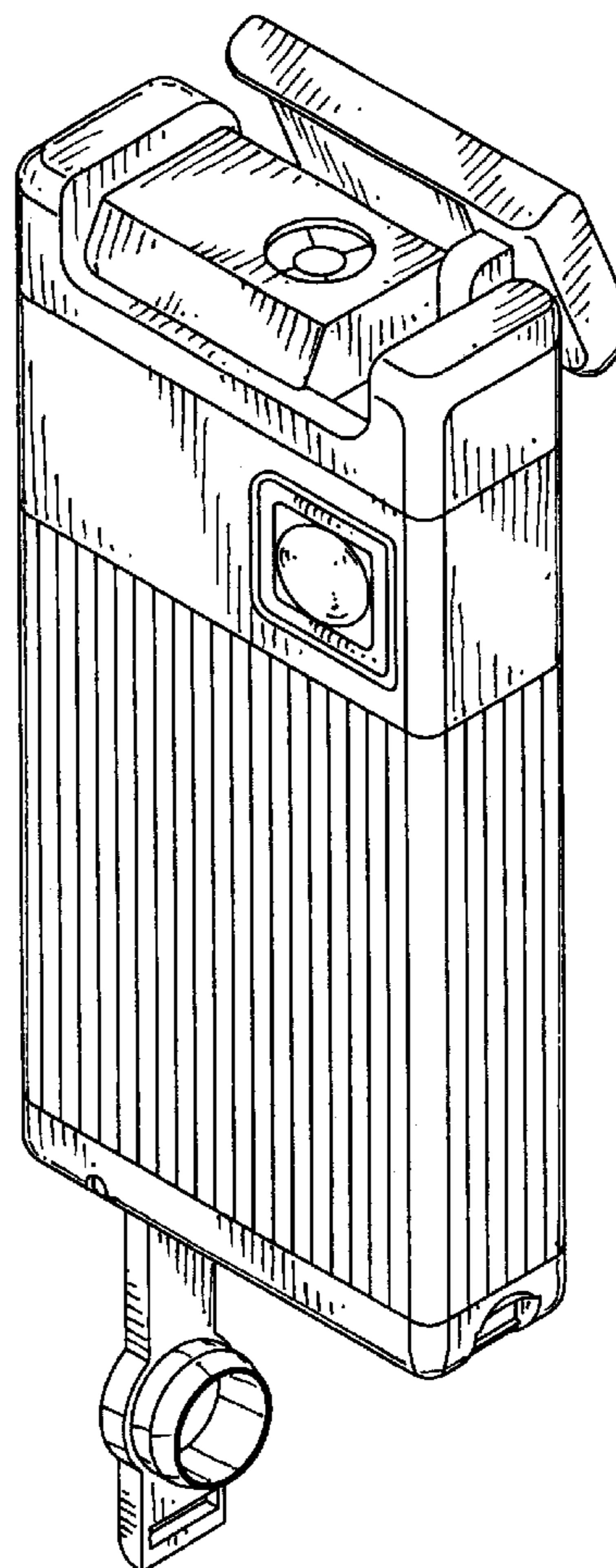
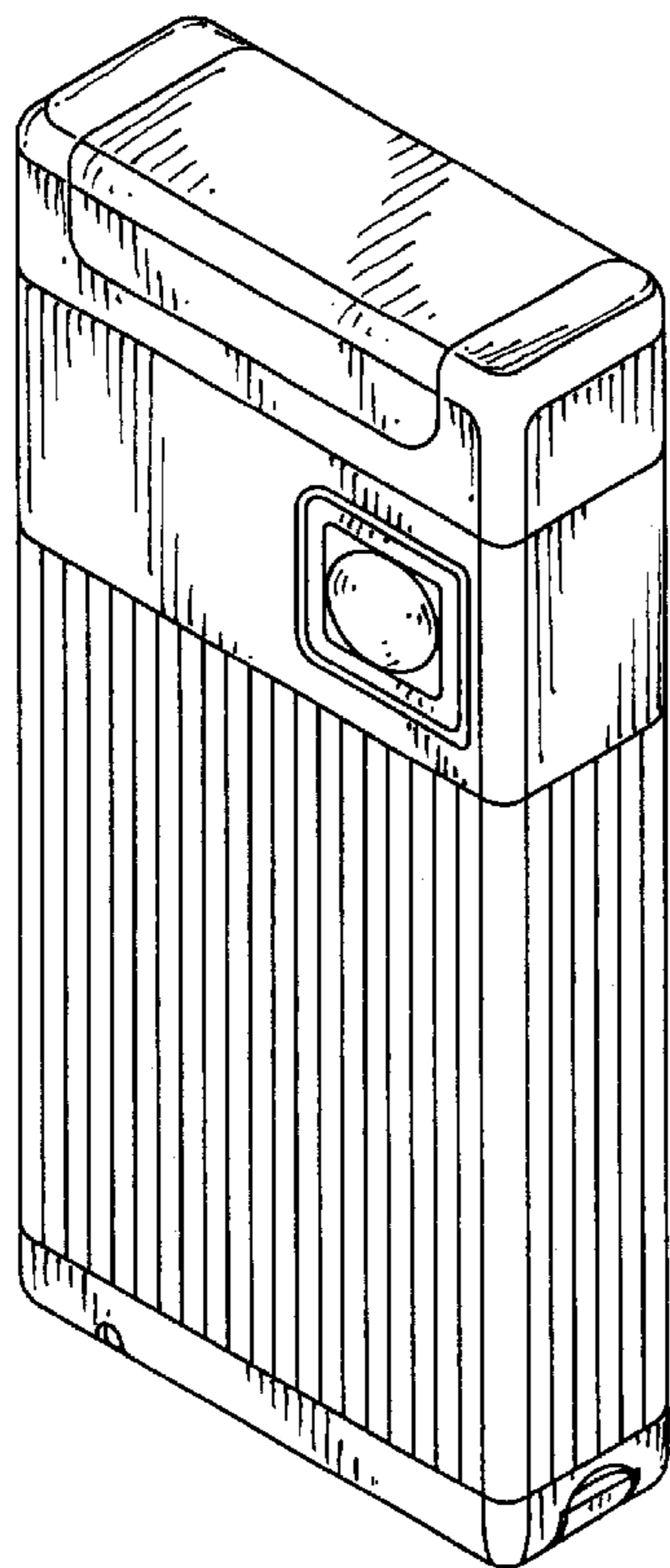
(57) **CLAIM**

The ornamental design for a combination lighter and cutter, as shown.

DESCRIPTION

FIG. 1 is a perspective view of a combination lighter and cutter showing my new design;
FIG. 2 is a front elevational view thereof;
FIG. 3 is a back elevational view thereof;
FIG. 4 is a right side elevational view thereof;
FIG. 5 is a left side elevational view thereof;
FIG. 6 is a top plan view thereof;
FIG. 7 is a bottom plan view thereof; and,
FIG. 8 is a perspective view thereof with the cover and cutter in their opened positions.

1 Claim, 4 Drawing Sheets



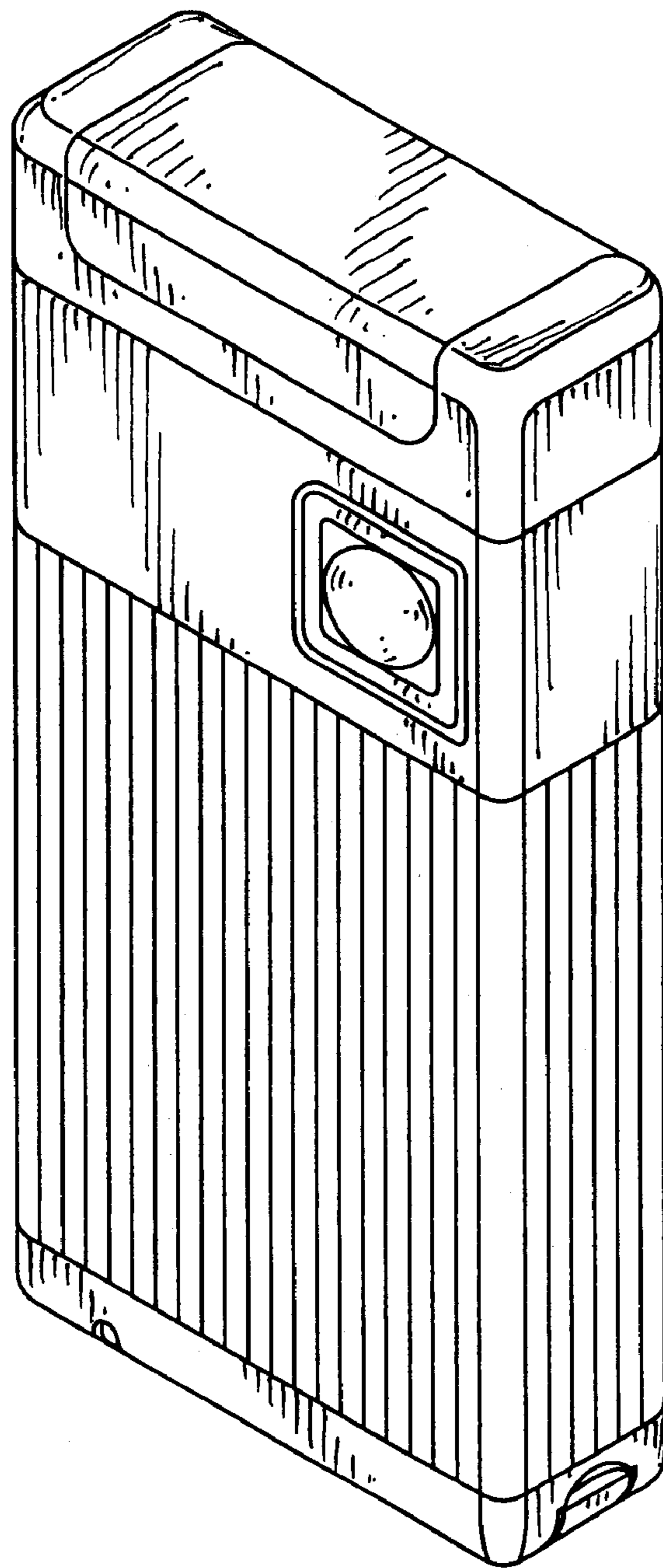


FIG. 1

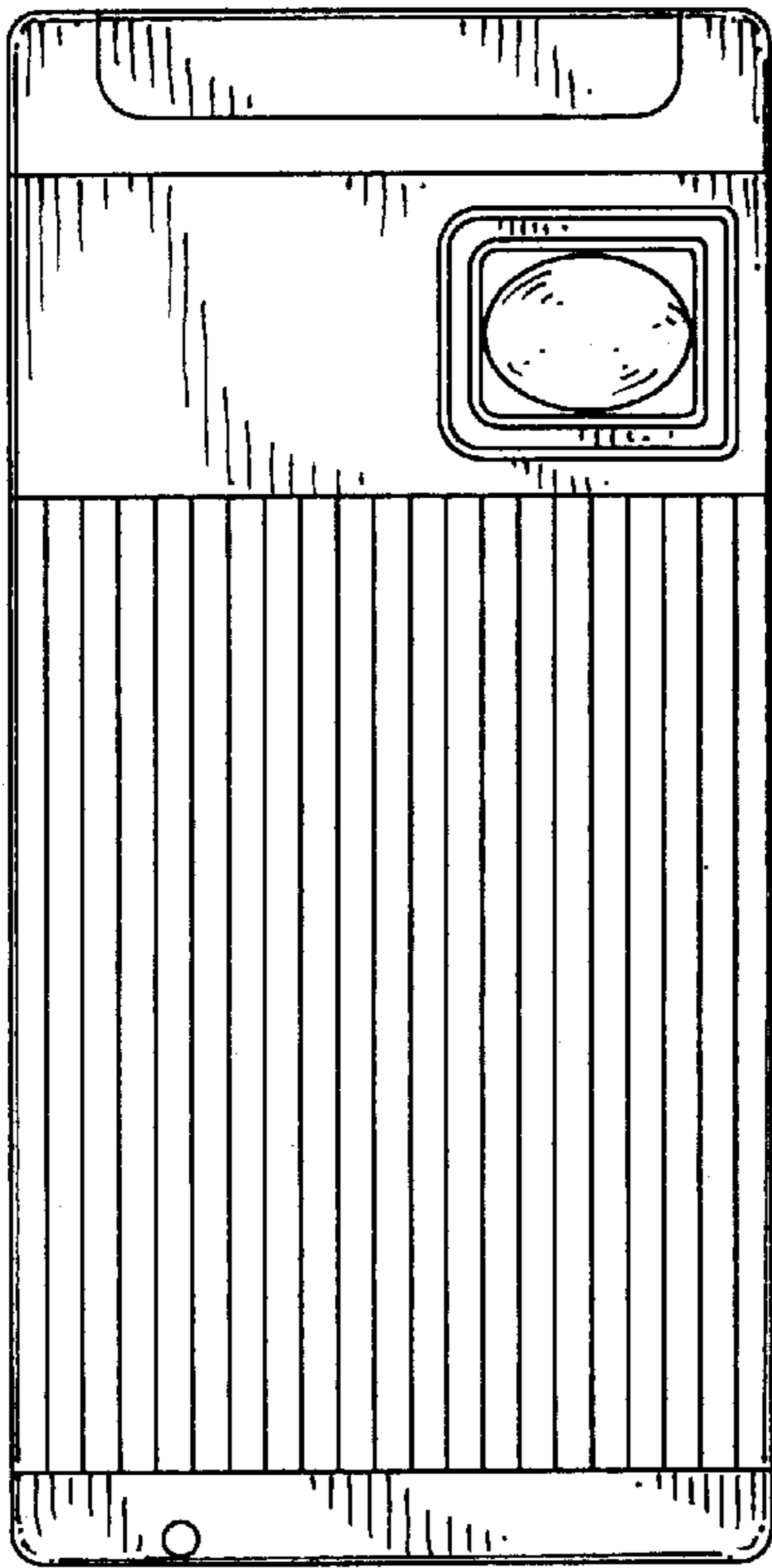


FIG. 2

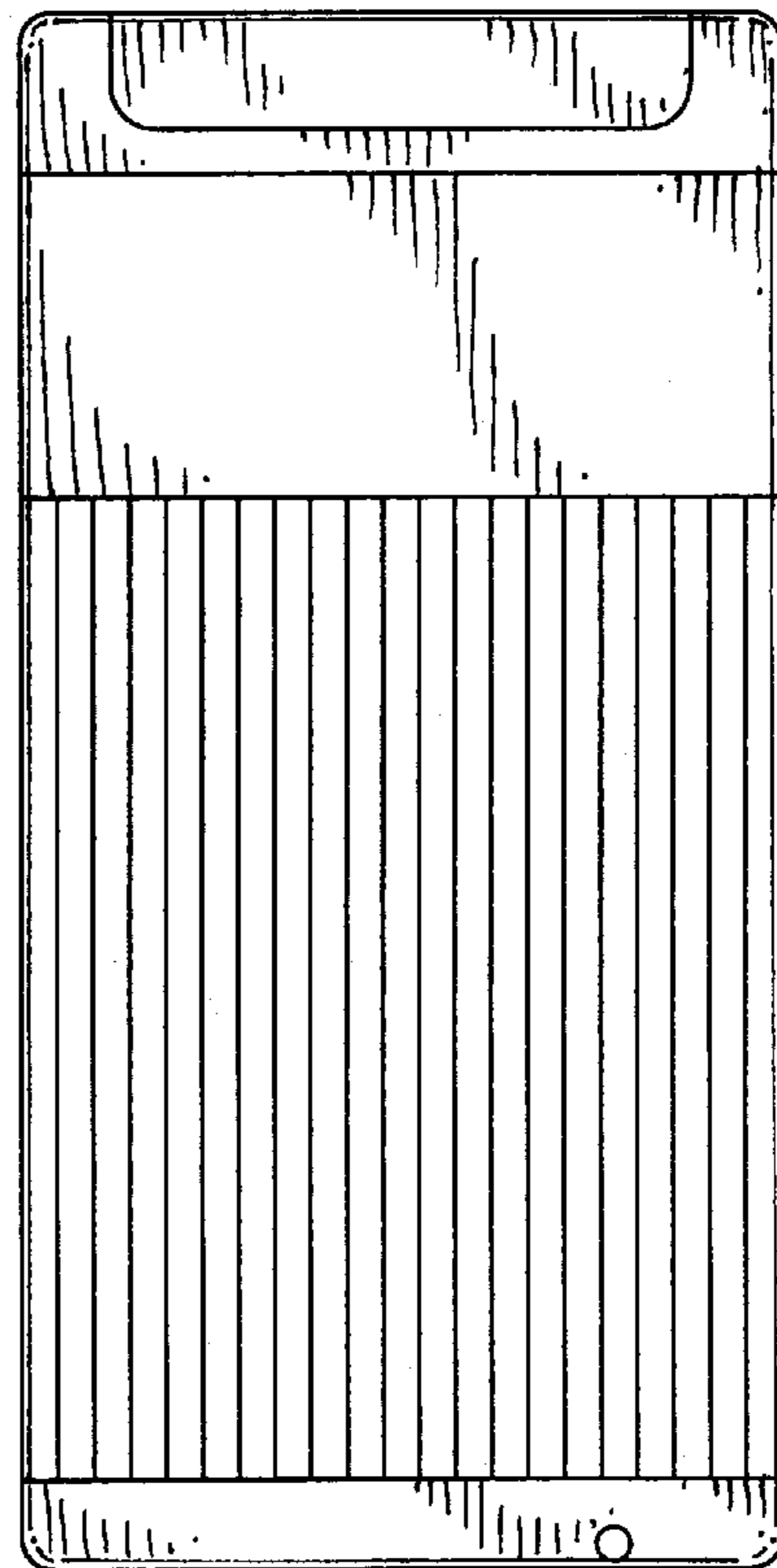


FIG. 3



FIG. 4

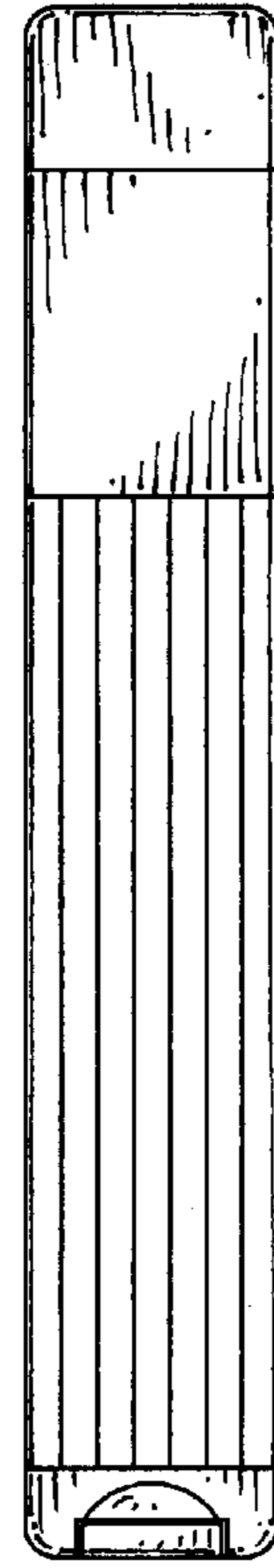


FIG. 5

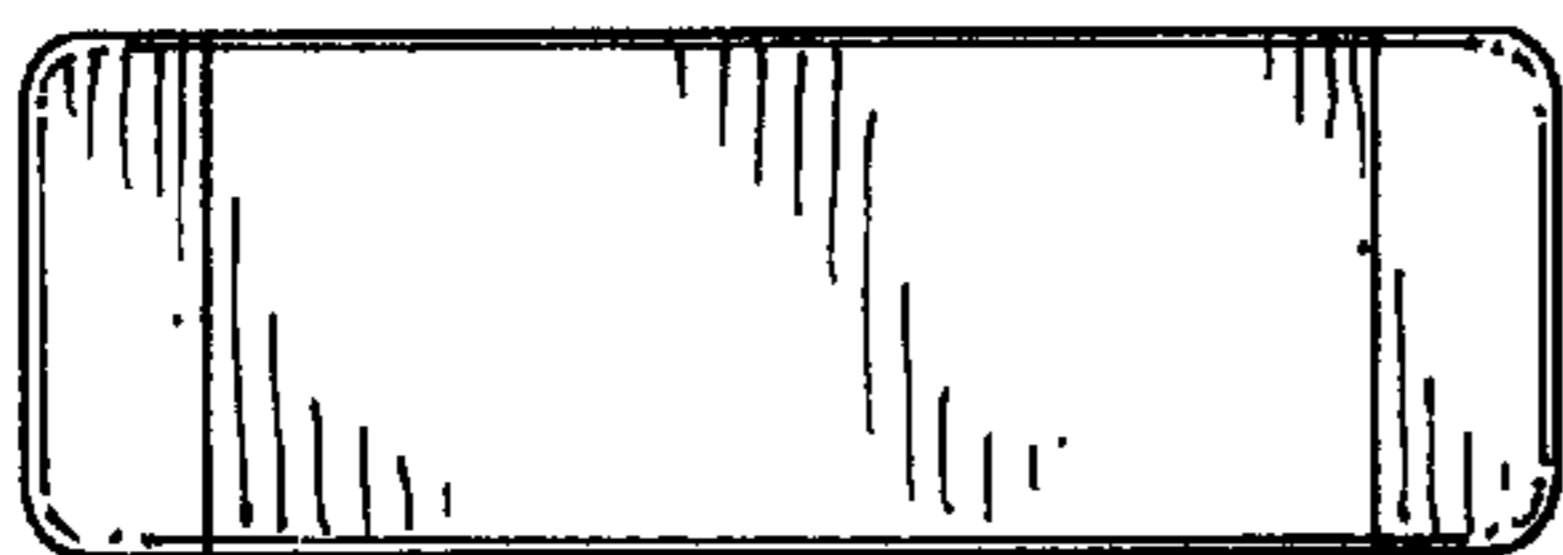


FIG. 6

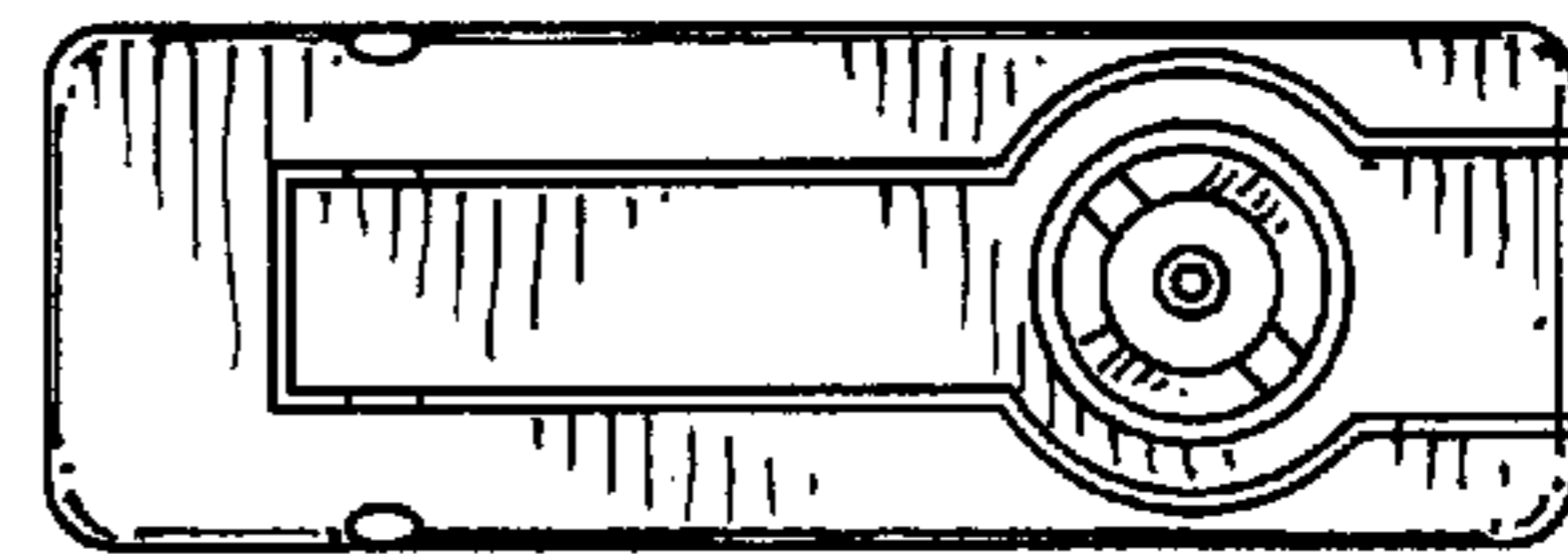


FIG. 7

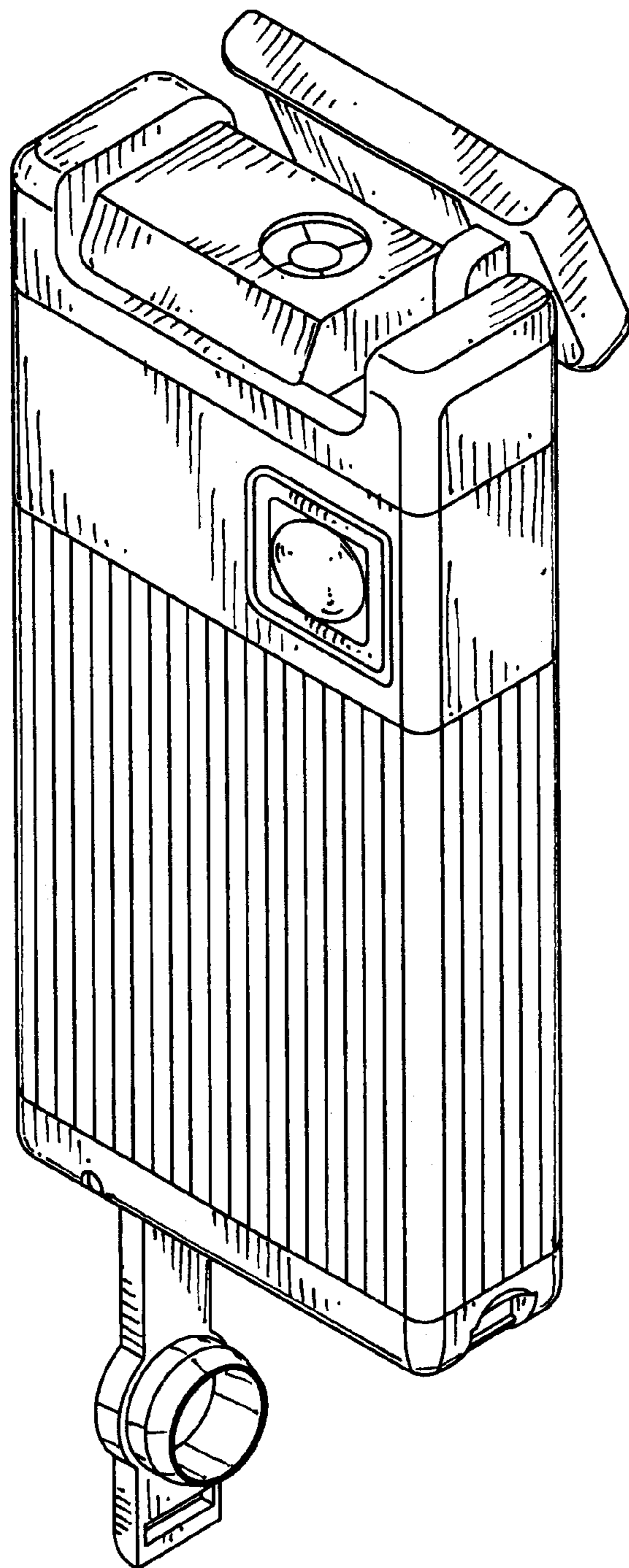


FIG. 8