



US00D515730S

(12) **United States Design Patent**  
**Weiss et al.**

(10) **Patent No.:** **US D515,730 S**  
(45) **Date of Patent:** **\*\* Feb. 21, 2006**

(54) **TUBULAR RECEPTACLE FOR SMOKER'S REFUSE**

6,102,047 A \* 8/2000 Manderick ..... 131/240.1  
D452,929 S \* 1/2002 Perelli ..... D27/107  
6,776,167 B1 \* 8/2004 Gillispie ..... 131/231

(75) Inventors: **Richard E. Weiss**, Allentown, PA (US);  
**Barbara McLaughlin**, Beverly, MA (US)

\* cited by examiner

*Primary Examiner*—Jennifer Rivard

(74) *Attorney, Agent, or Firm*—Duane Morris LLP

(73) Assignee: **United Metal Receptacle Corp.**,  
Pottsville, PA (US)

(57) **CLAIM**

(\*\*) Term: **14 Years**

The ornamental design for a tubular receptacle for smoker's refuse, as shown and described.

(21) Appl. No.: **29/216,898**

**DESCRIPTION**

(22) Filed: **Nov. 11, 2004**

FIG. 1 is a perspective view of a tubular receptacle for smoker's refuse according to the claimed design.

(51) **LOC (8) Cl.** ..... **27-03**

FIG. 2 is an elevation view from the rear in FIG. 1.

(52) **U.S. Cl.** ..... **D27/123**

FIG. 3 is a side elevation from the left in FIG. 1.

(58) **Field of Classification Search** ..... D27/102,

FIG. 4 is side elevation from the front in FIG. 1.

D27/103, 107, 122-124; 131/231, 234, 235.1,

FIG. 5 is a side elevation from the right in FIG. 1.

131/236, 238, 240.1, 241, 242, 242.5, 242.6;

FIG. 6 is a bottom plan view.

232/43.2; 220/526

FIG. 7 is a top plan view; and,

See application file for complete search history.

FIG. 8 is a perspective view showing the upper section in the process of emptying.

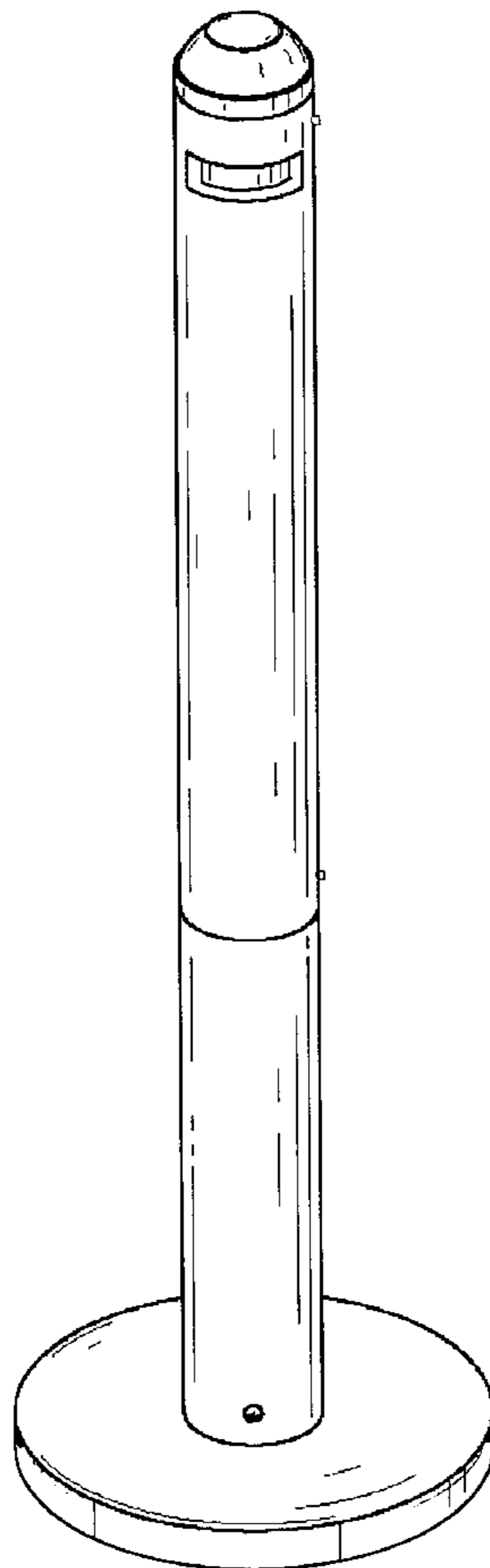
(56) **References Cited**

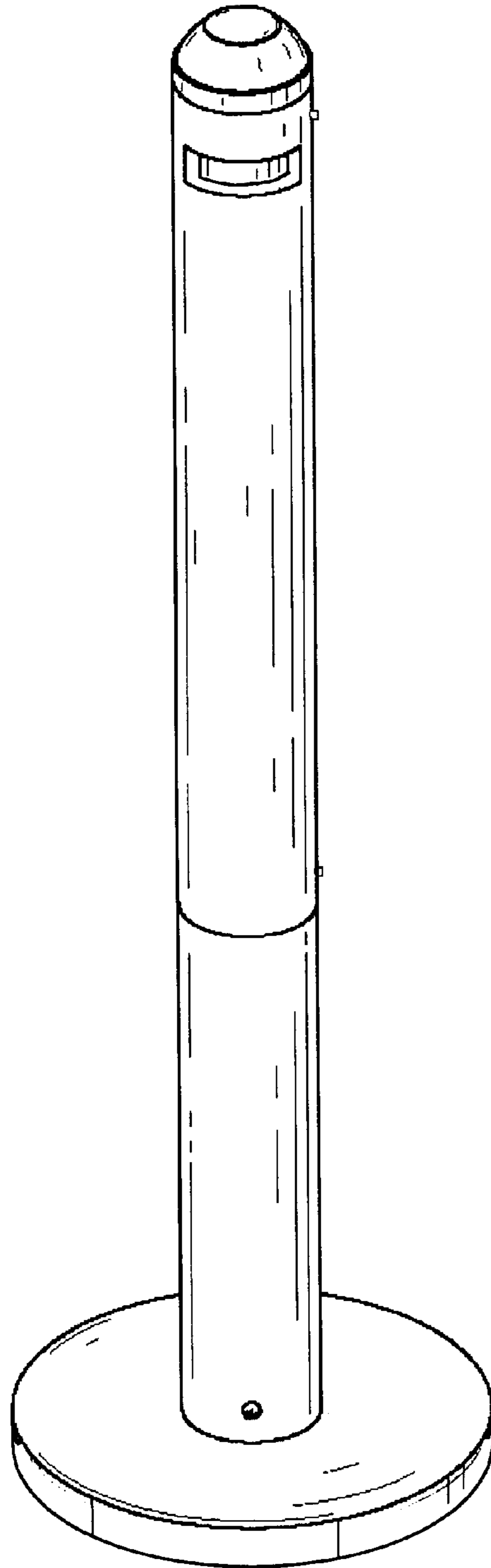
The broken lines are shown for illustrative purposes only and form no part of the claimed design.

**U.S. PATENT DOCUMENTS**

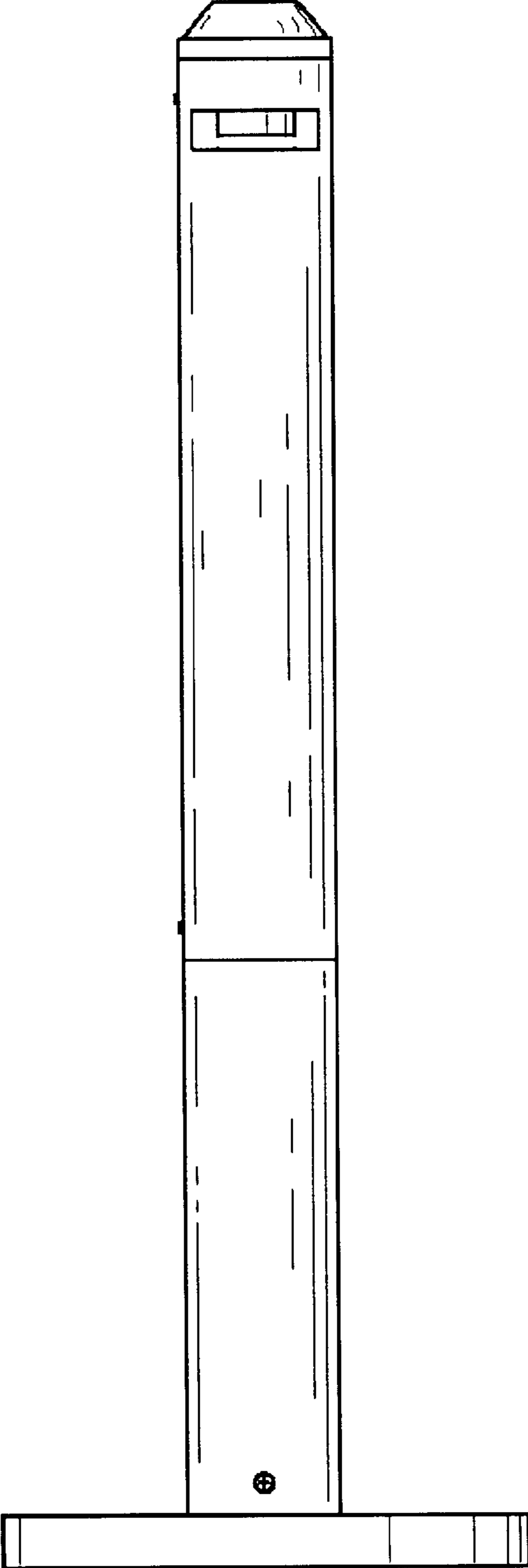
D238,587 S \* 1/1976 Howell ..... D27/131

**1 Claim, 8 Drawing Sheets**

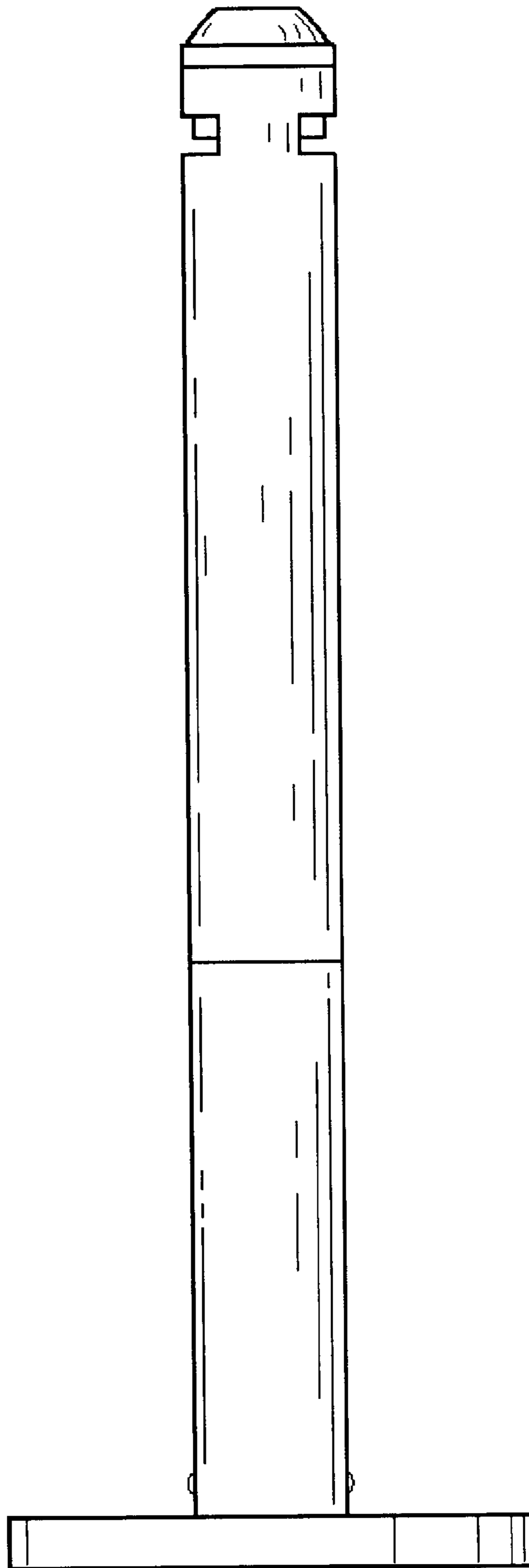




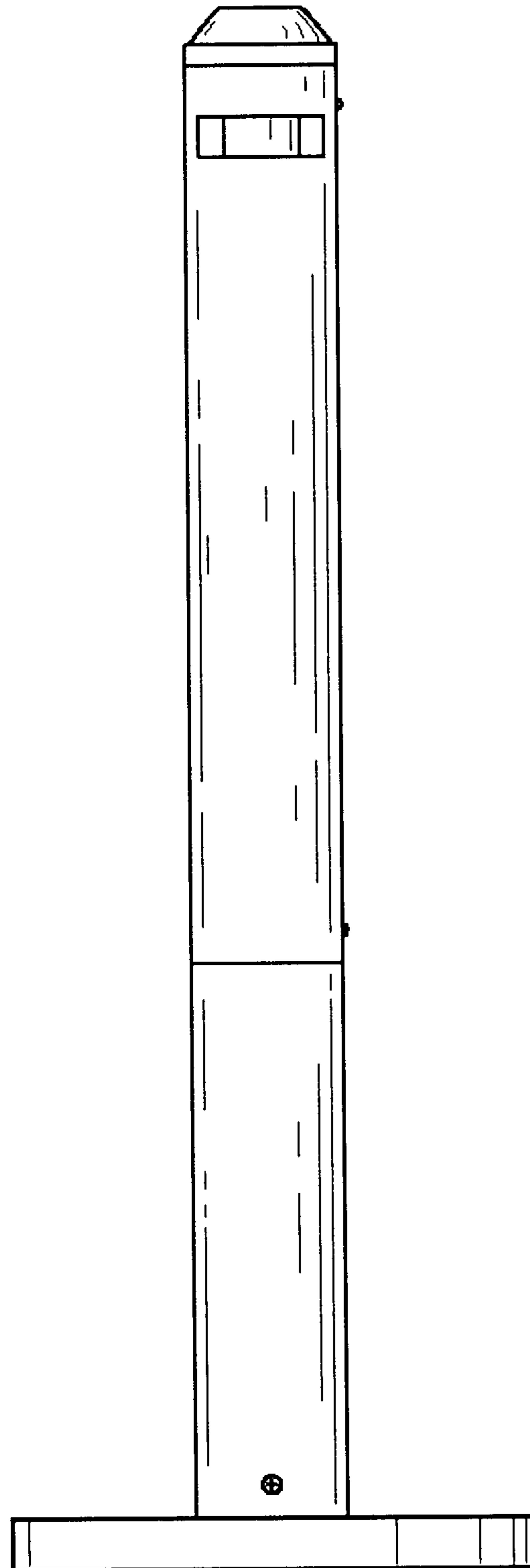
**FIG. 1**



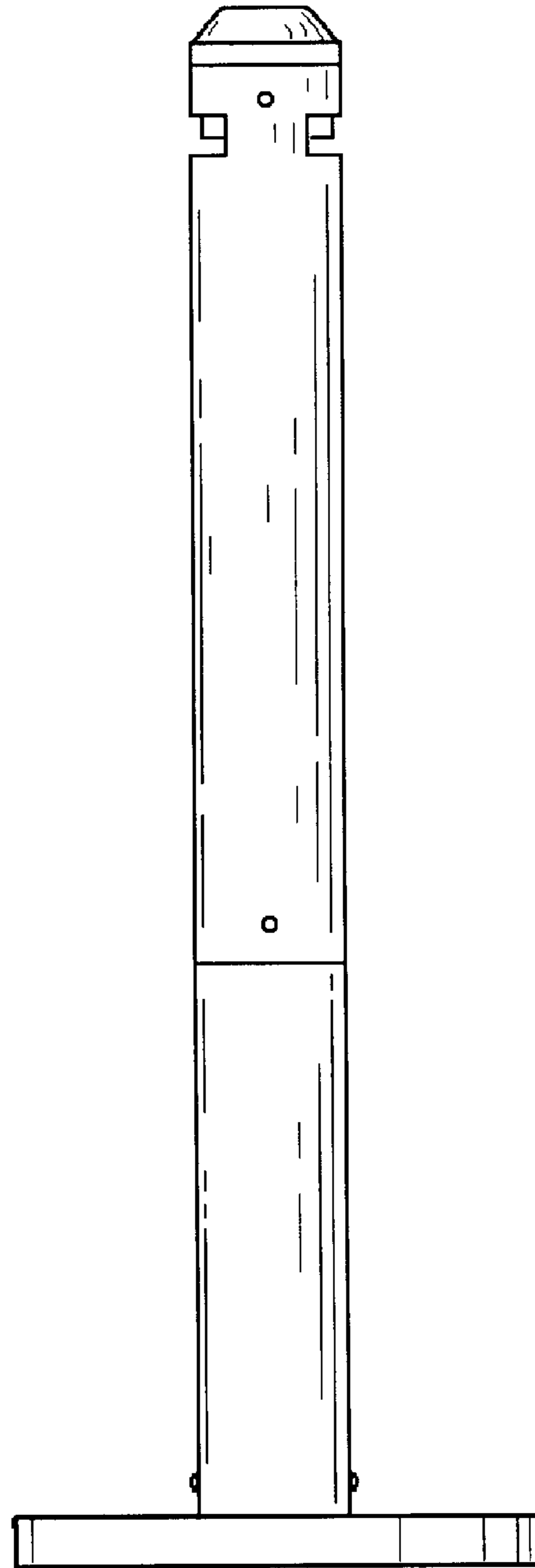
**FIG. 2**



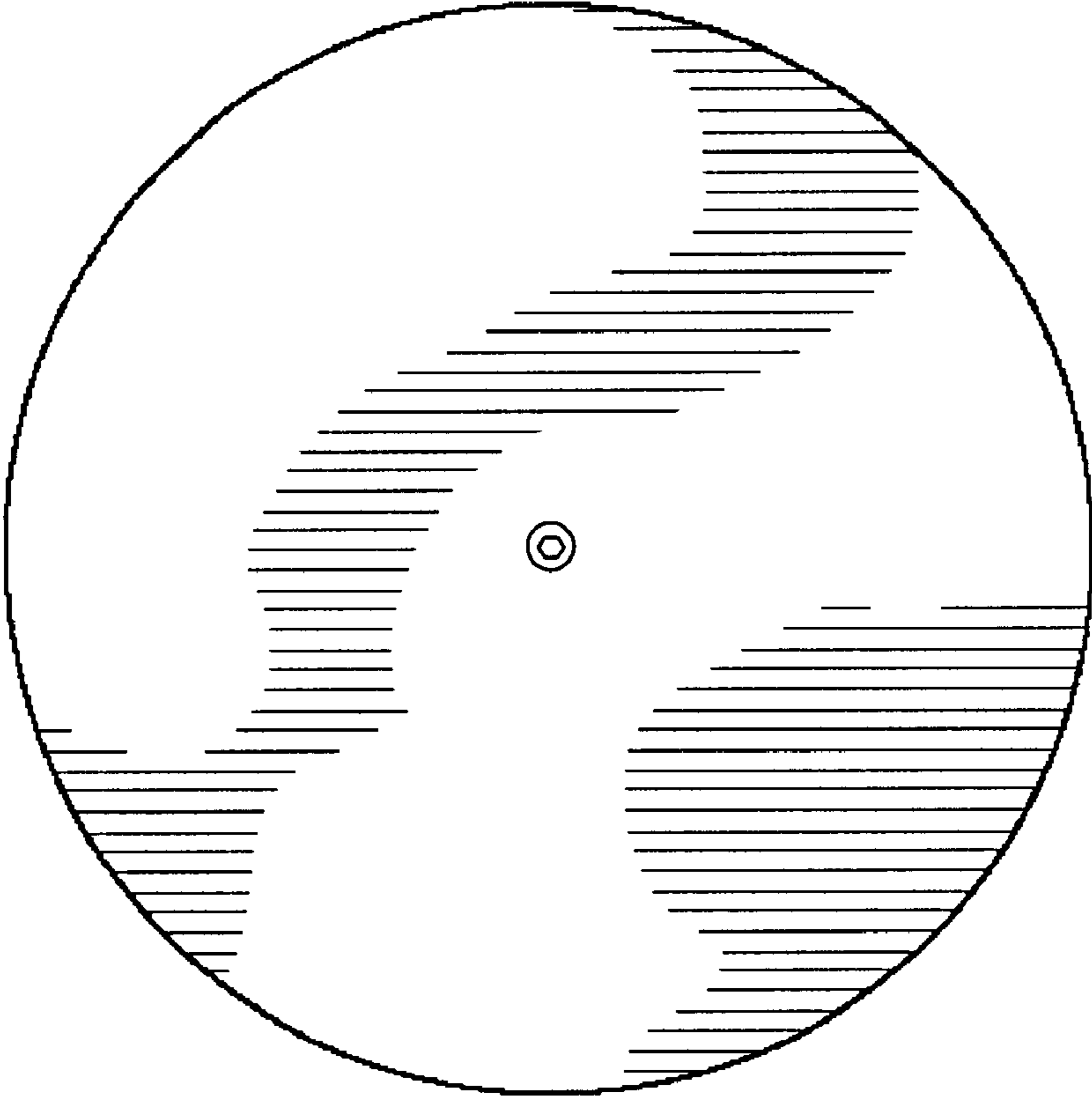
**FIG. 3**



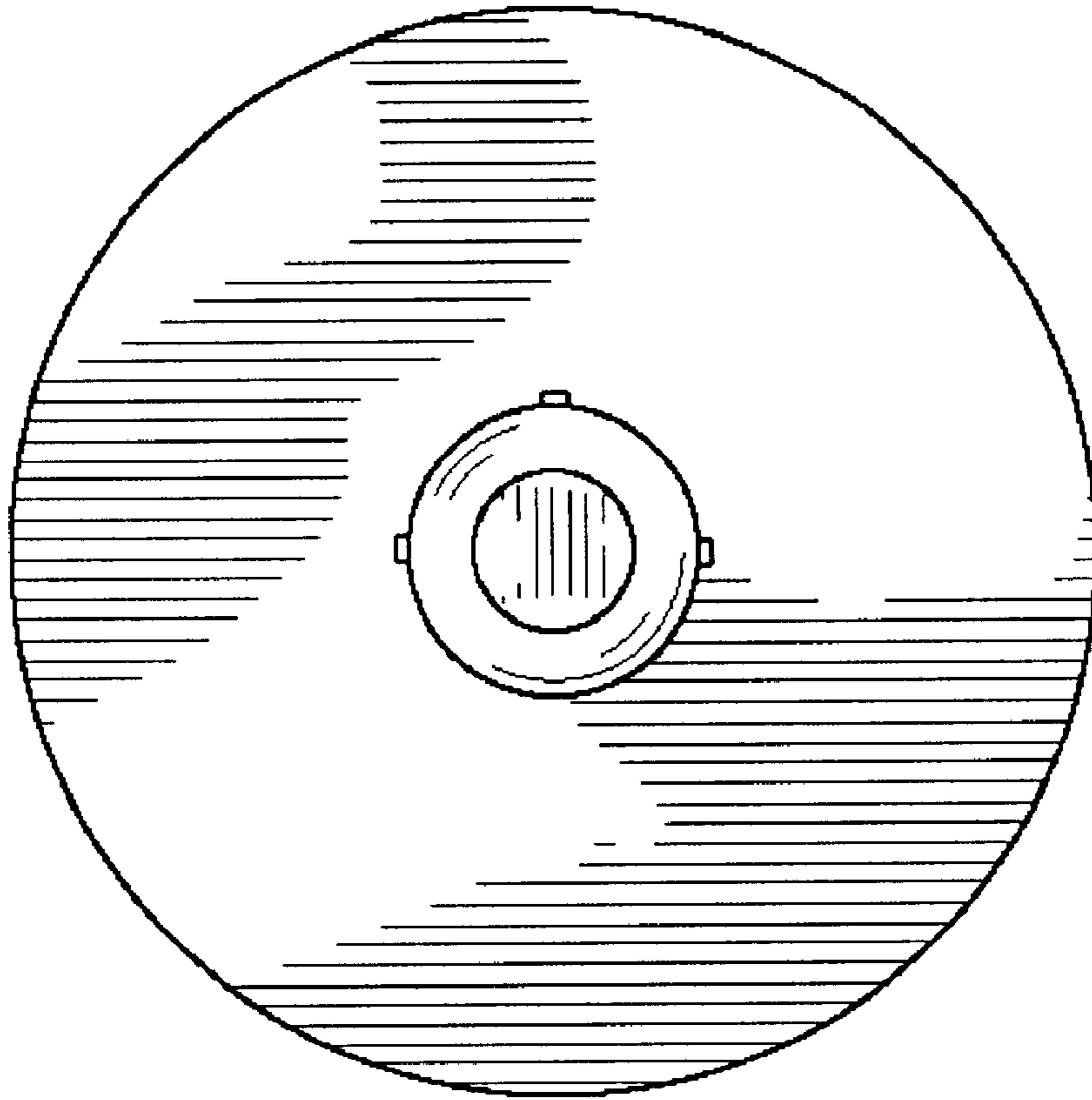
**FIG. 4**



**FIG. 5**

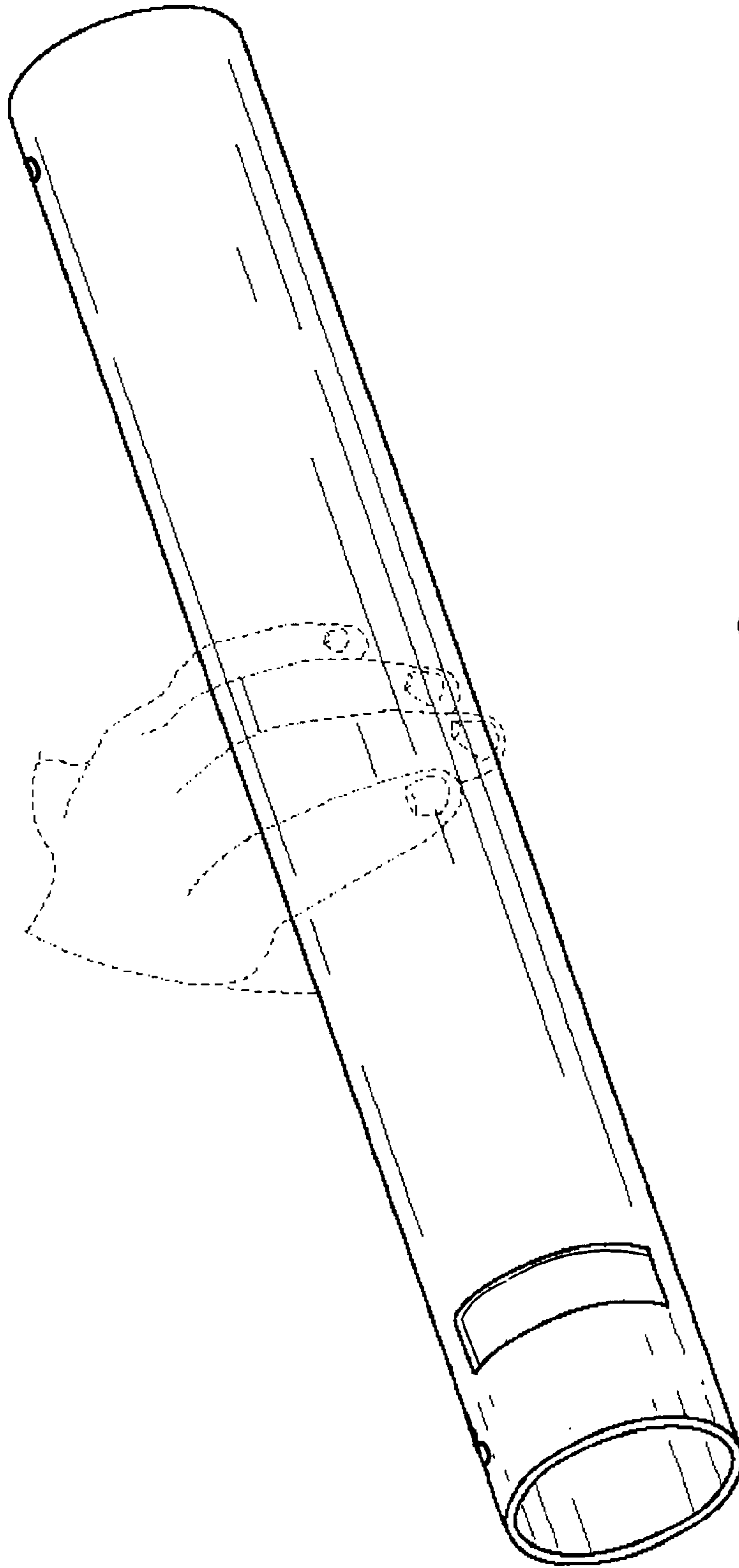


**FIG. 6**



**FIG. 7**





**FIG. 8**