



US00D515725S

(12) **United States Design Patent**
Trivino

(10) **Patent No.:** **US D515,725 S**
(45) **Date of Patent:** **** Feb. 21, 2006**

(54) **CURVE SIDED LAMP FIXTURE**

(75) Inventor: **Jhonny Trivino**, Los Angeles, CA (US)

(73) Assignee: **Jimway Inc.**, Rancho Dominguez, CA (US)

(**) Term: **14 Years**

(21) Appl. No.: **29/189,070**

(22) Filed: **Aug. 27, 2003**

(51) **LOC (8) Cl.** **26-03**

(52) **U.S. Cl.** **D26/92; D26/67**

(58) **Field of Classification Search** D26/67-72,
D26/87, 92, 118; 362/147, 152, 153, 153.1,
362/159, 183, 266, 404-408, 363, 431, 432
See application file for complete search history.

(56) **References Cited**

U.S. PATENT DOCUMENTS

D388,220 S * 12/1997 Hsu D26/87

OTHER PUBLICATIONS

Bellacor "Meridian" item Nos. 43101, 43105 and 43106.
From bellacor.com. Aug. 24, 2004.(3 pages).*

(Continued)

Primary Examiner—Clare E Heflin

(74) *Attorney, Agent, or Firm*—Paul Y. Feng; Fulwider
Patton Lee & Utecht, LLP

(57) **CLAIM**

The ornamental design of a curve sided lamp fixture, as
shown and described.

DESCRIPTION

FIG. 1 is a perspective view of a first embodiment of my
curve sided lamp fixture, showing my new design;

FIG. 2 is an elevation view thereof;

FIG. 3 is a right side elevational view, wherein the opposite
side is identical to the exposed side;

FIG. 4 is a front elevational view of the back plate portion
thereof, the lantern portion being omitted for illustrative
purposes only;

FIG. 5 is a rear elevational view;

FIG. 6 is a top plan view;

FIG. 7 is a bottom view;

FIG. 8 is a perspective view of a second embodiment of my
curve sided lamp fixture, showing my new design;

FIG. 9 is an elevation view thereof;

FIG. 10 is a right side elevational view, wherein the opposite
side is identical to the exposed side;

FIG. 11 is a front elevational view of the back plate portion
thereof, the lantern portion being omitted for illustrative
purposes only;

FIG. 12 is a rear elevational view;

FIG. 13 is a bottom view;

FIG. 14 is a top plan view;

FIG. 15 is a perspective view of a third embodiment of my
curve sided lamp fixture, showing my new design;

FIG. 16 is a front elevational view, wherein the opposite side
is identical to the exposed side;

FIG. 17 is a right side elevational view, wherein the opposite
side is identical to the exposed side;

FIG. 18 is a top plan view;

FIG. 19 is a bottom view;

FIG. 20 is a perspective view of a fourth embodiment of my
curve sided lamp fixture, showing my new design;

FIG. 21 is an elevation view thereof;

FIG. 22 is a right side elevational view, wherein the opposite
side is identical to the exposed side;

FIG. 23 is a front elevational view of the back plate portion
thereof, the lantern portion being omitted for illustrative
purposes only;

FIG. 24 is a rear elevational view;

FIG. 25 is a top plan view;

FIG. 26 is a bottom view;

FIG. 27 is a perspective view of a fifth embodiment of my
curve sided lamp fixture, showing my new design;

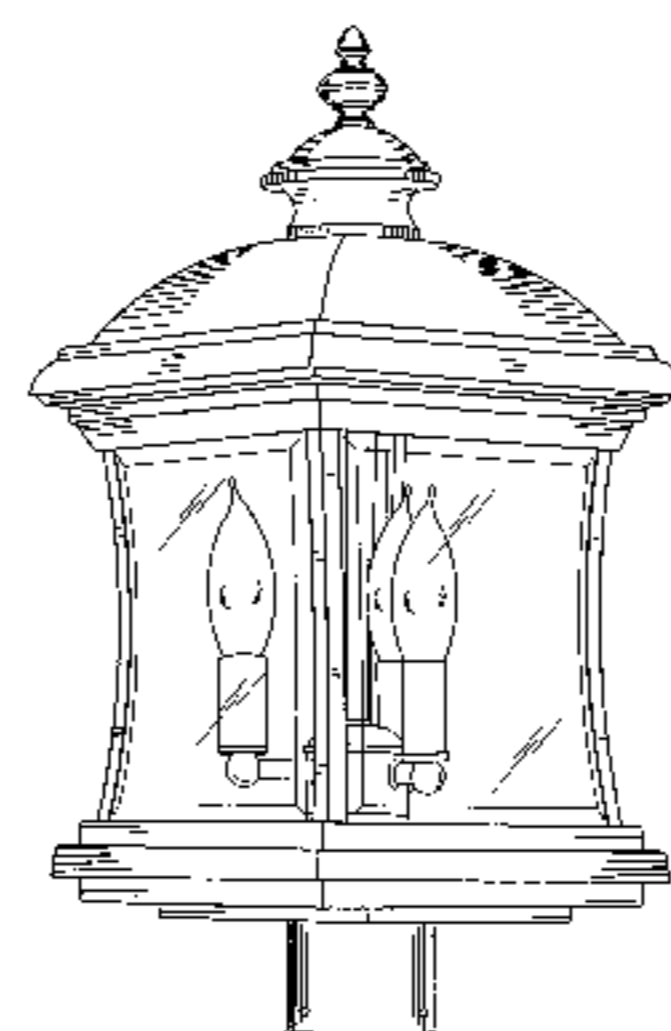
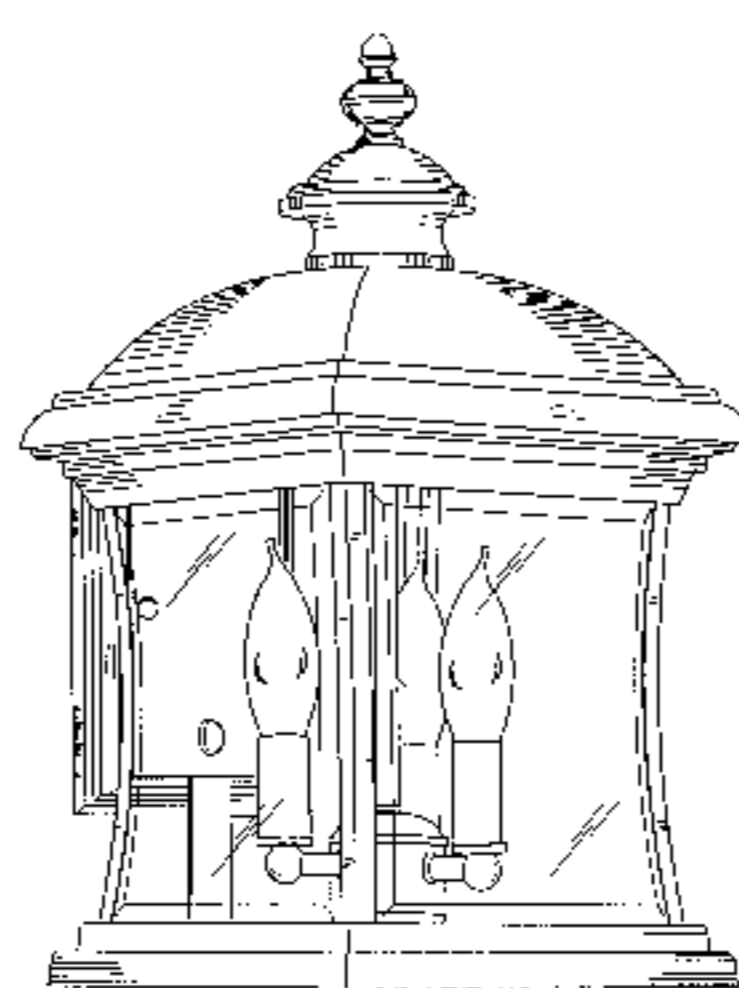
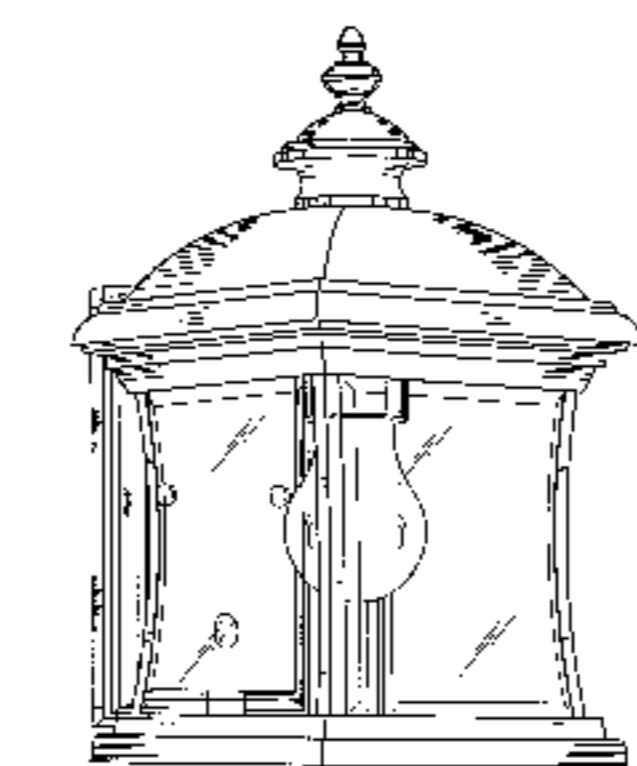
FIG. 28 is a front elevational view, wherein the opposite side
is identical to the exposed side;

FIG. 29 is a right side elevational view, wherein the opposite
side is identical to the exposed side;

FIG. 30 is a top plan view; and,

FIG. 31 is a bottom view.

1 Claim, 28 Drawing Sheets



OTHER PUBLICATIONS

Bellacor "Vantage Place" item No. 23691. From bellacor.com. Aug. 24, 2004. (1 page).*

Lamps Plus "Mission Bay" by Minka. item #94538. From lampsplus.com. Aug. 24, 2004. (1 page).*

Lighting Showplace "Villa" by Murray Feiss. Item #OL1409. From lightingshowplace.com. Aug. 24, 2004. (1 page).*

* cited by examiner

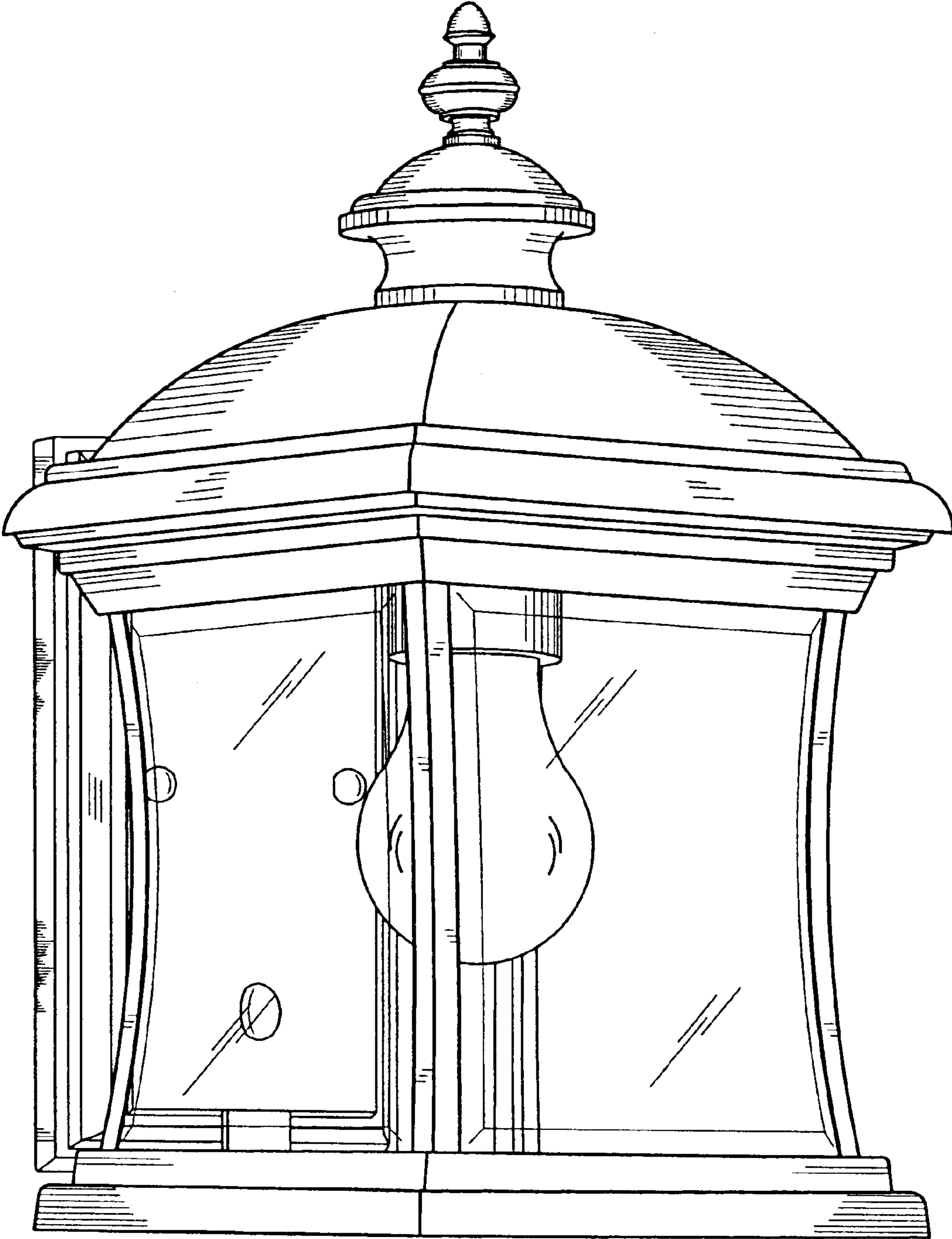


FIG. 1

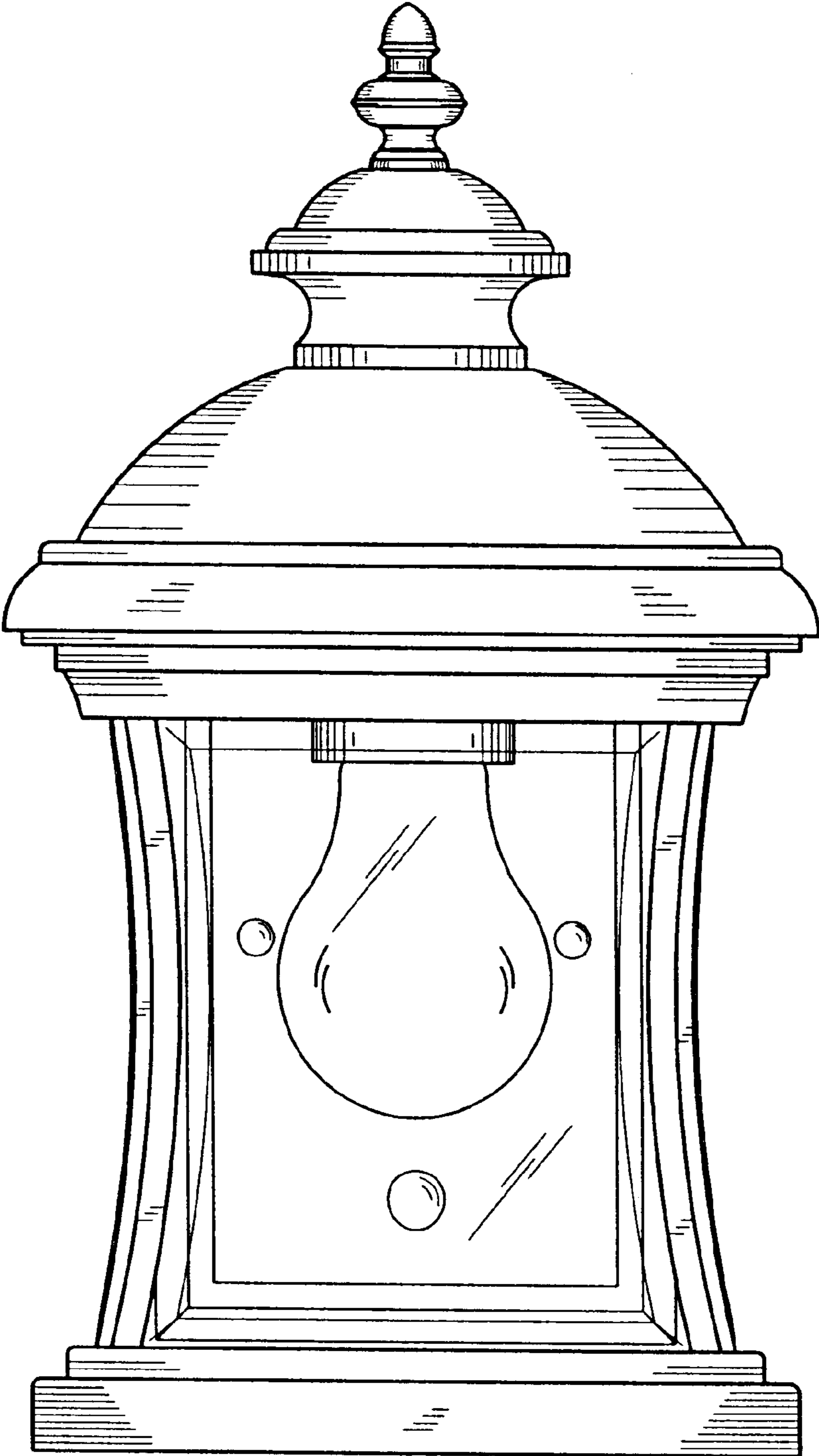


FIG. 2

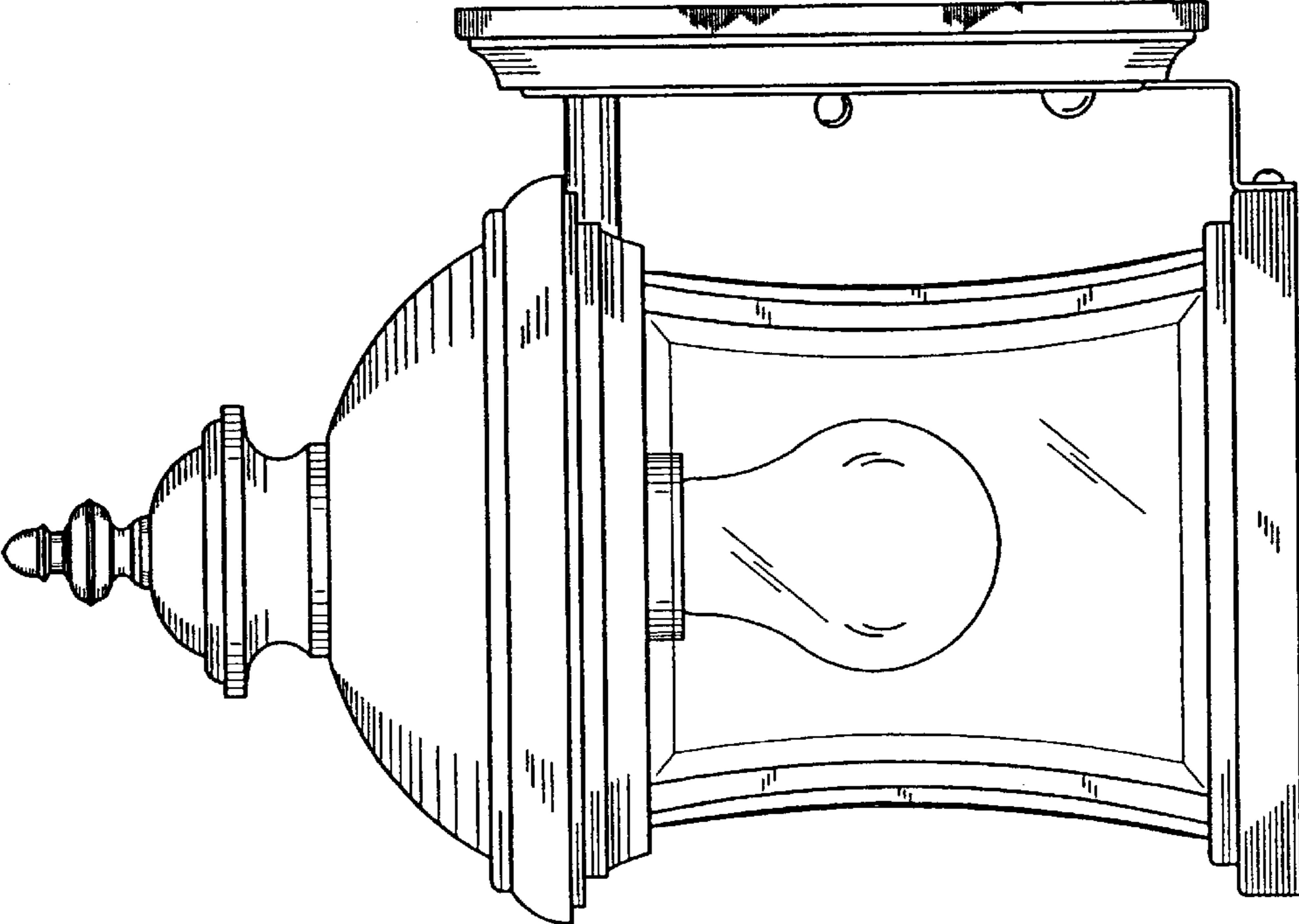


FIG. 3

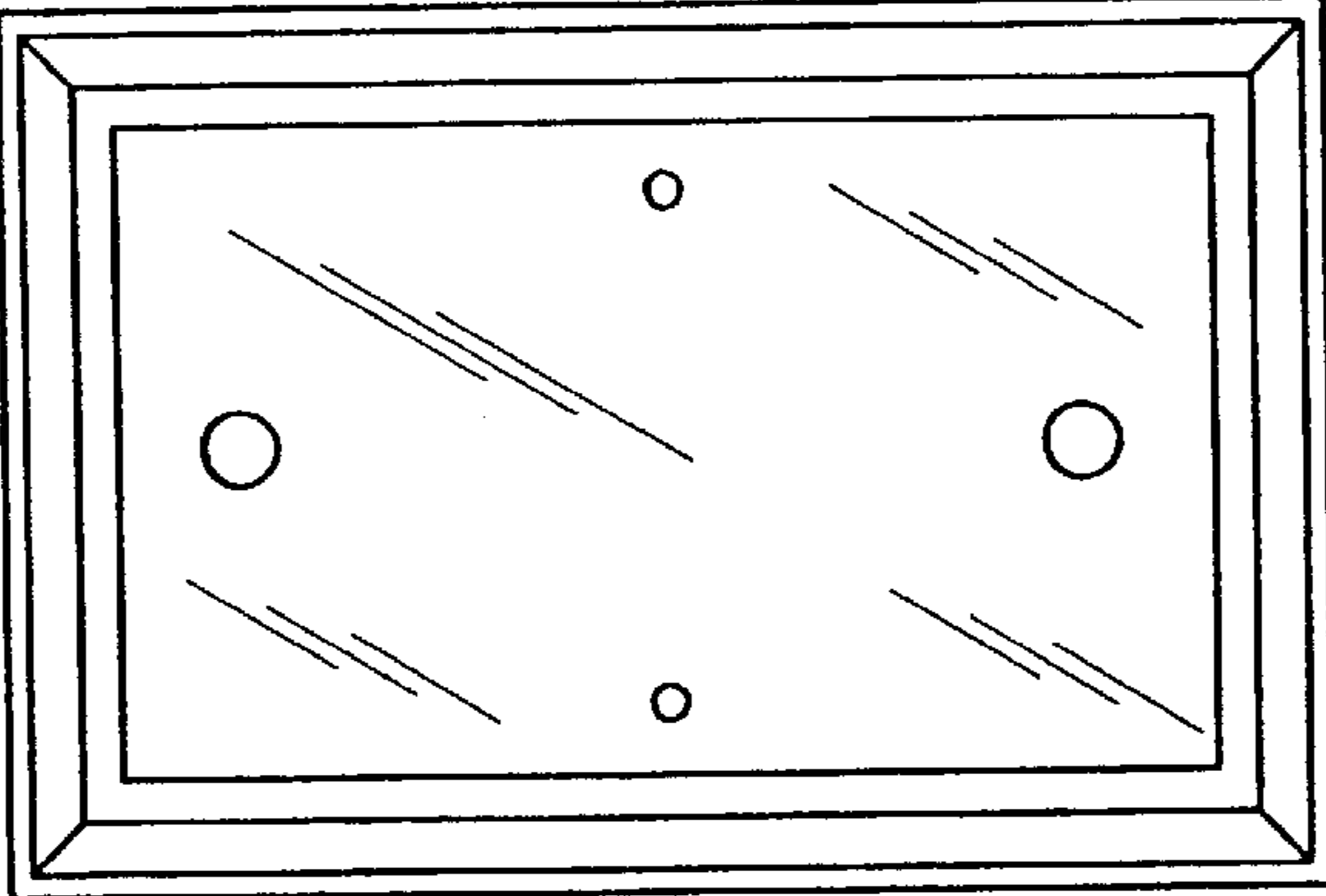


FIG. 4

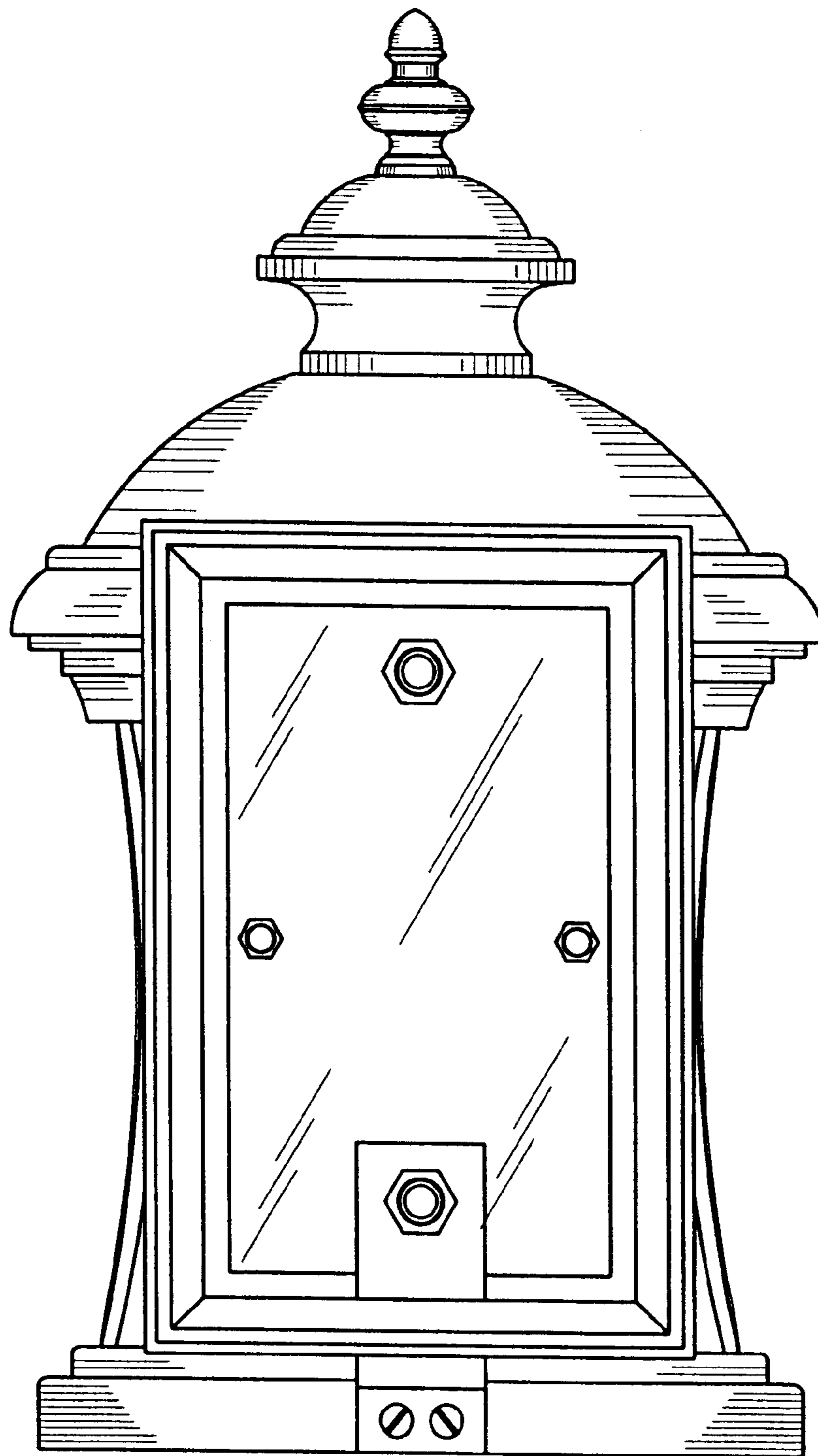


FIG. 5

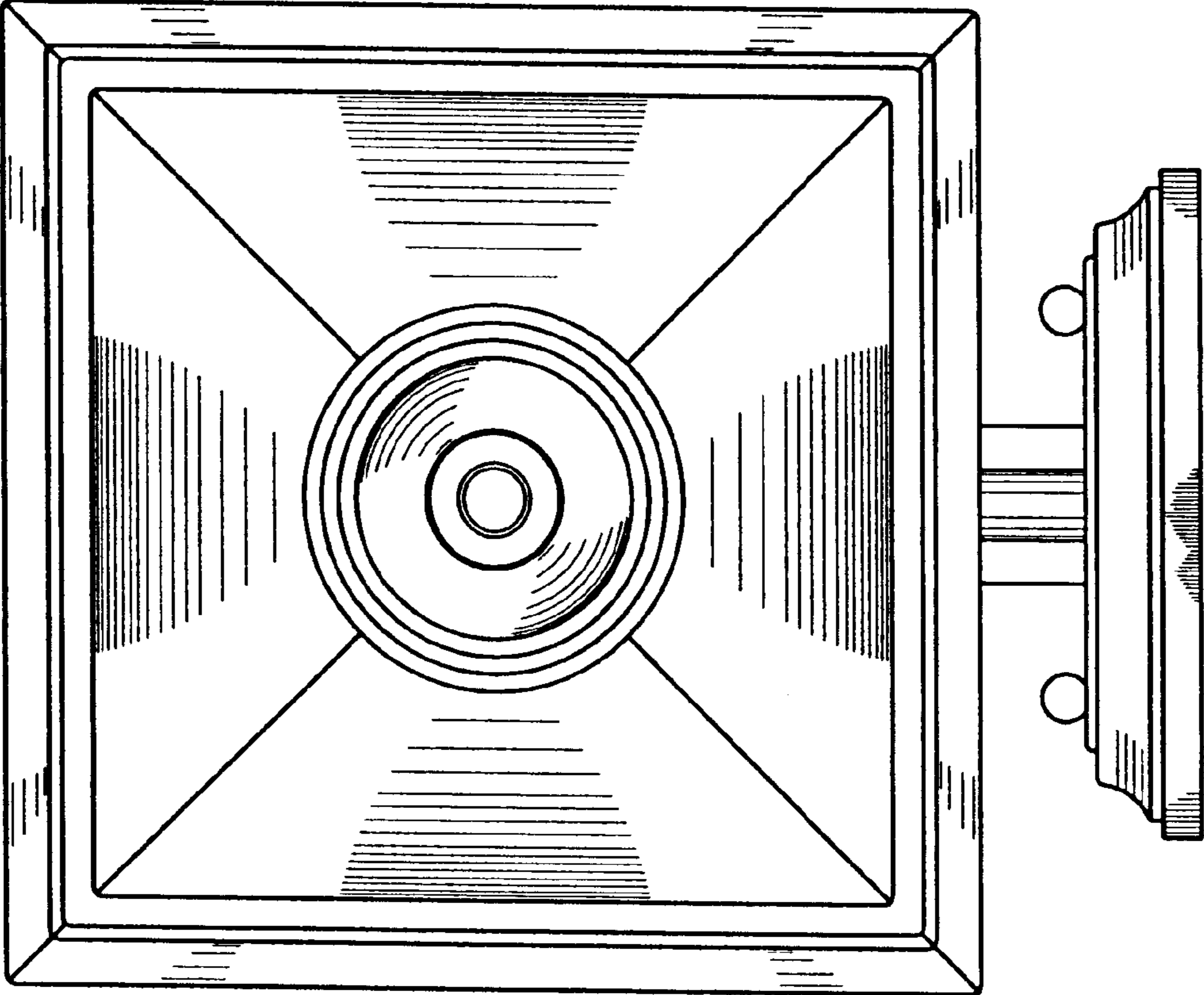


FIG. 6

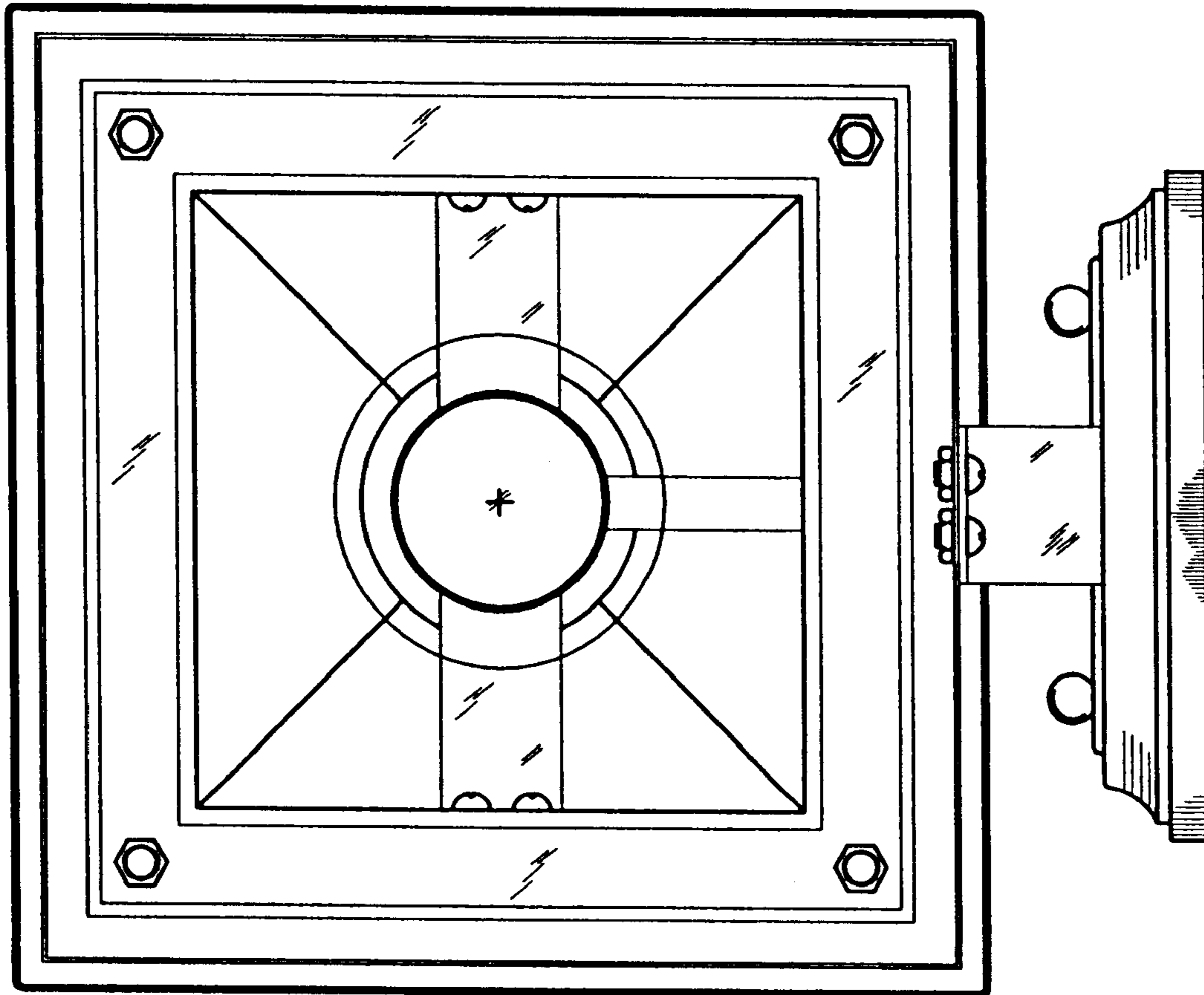


FIG. 7

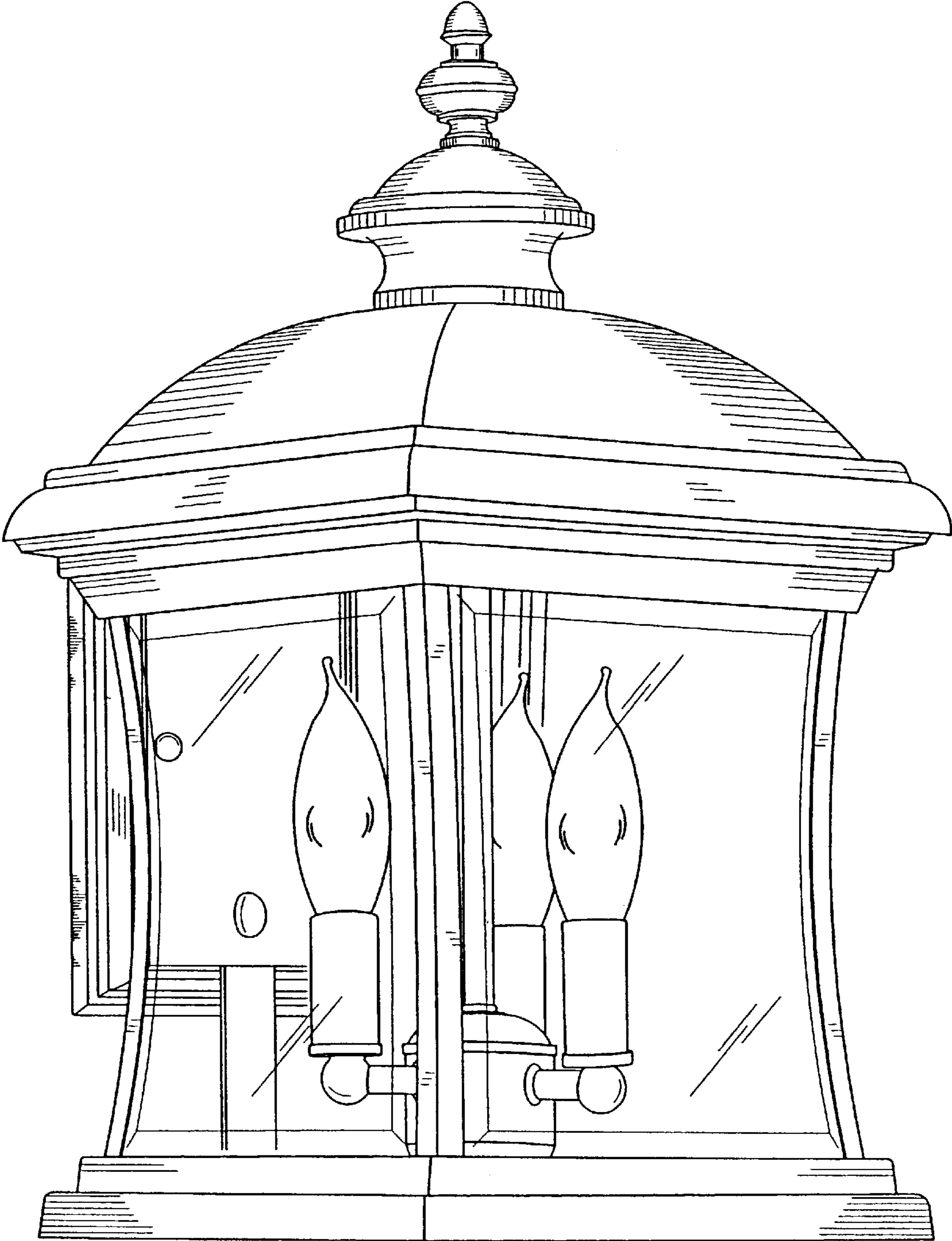


FIG. 8

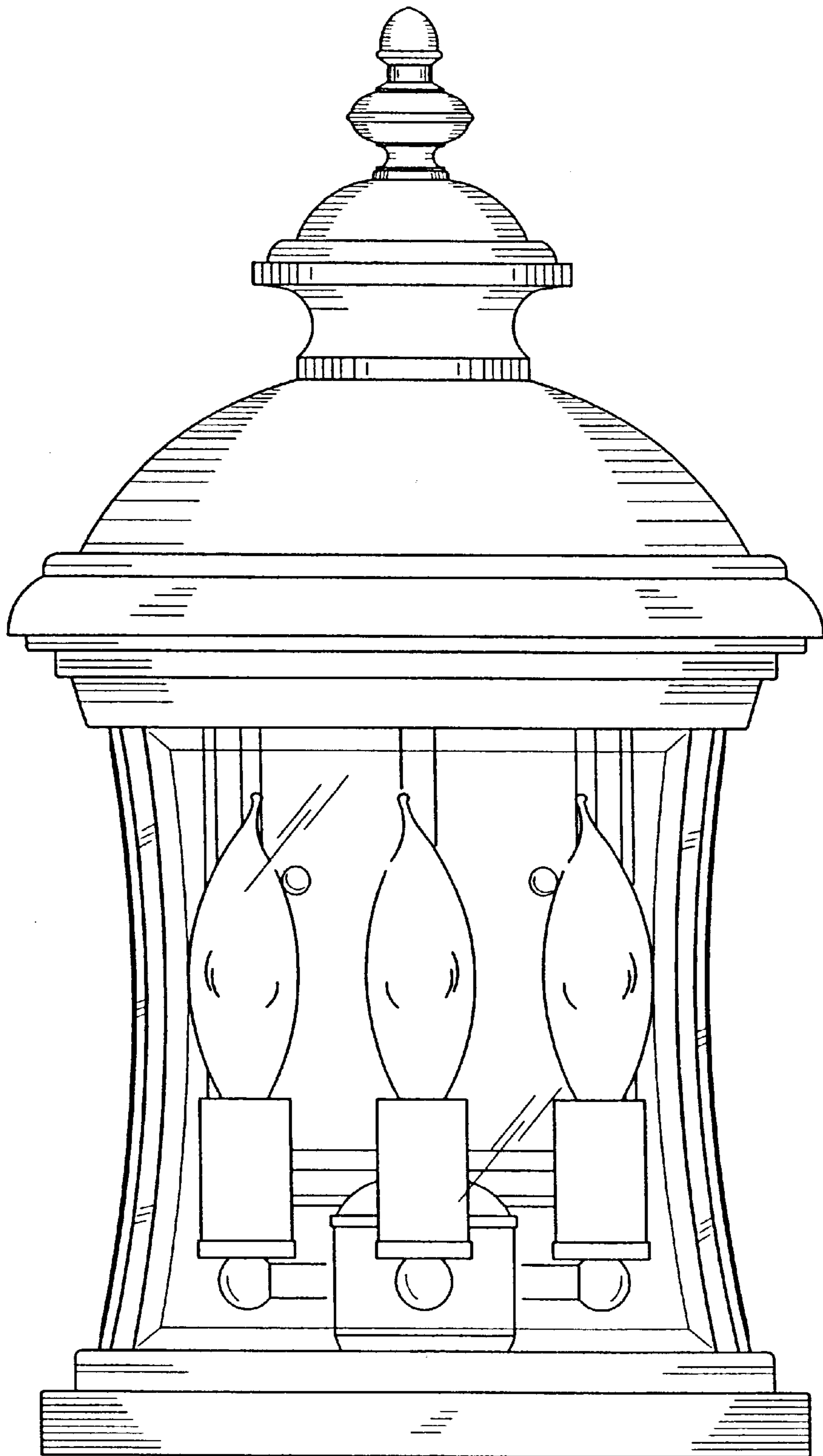


FIG. 9

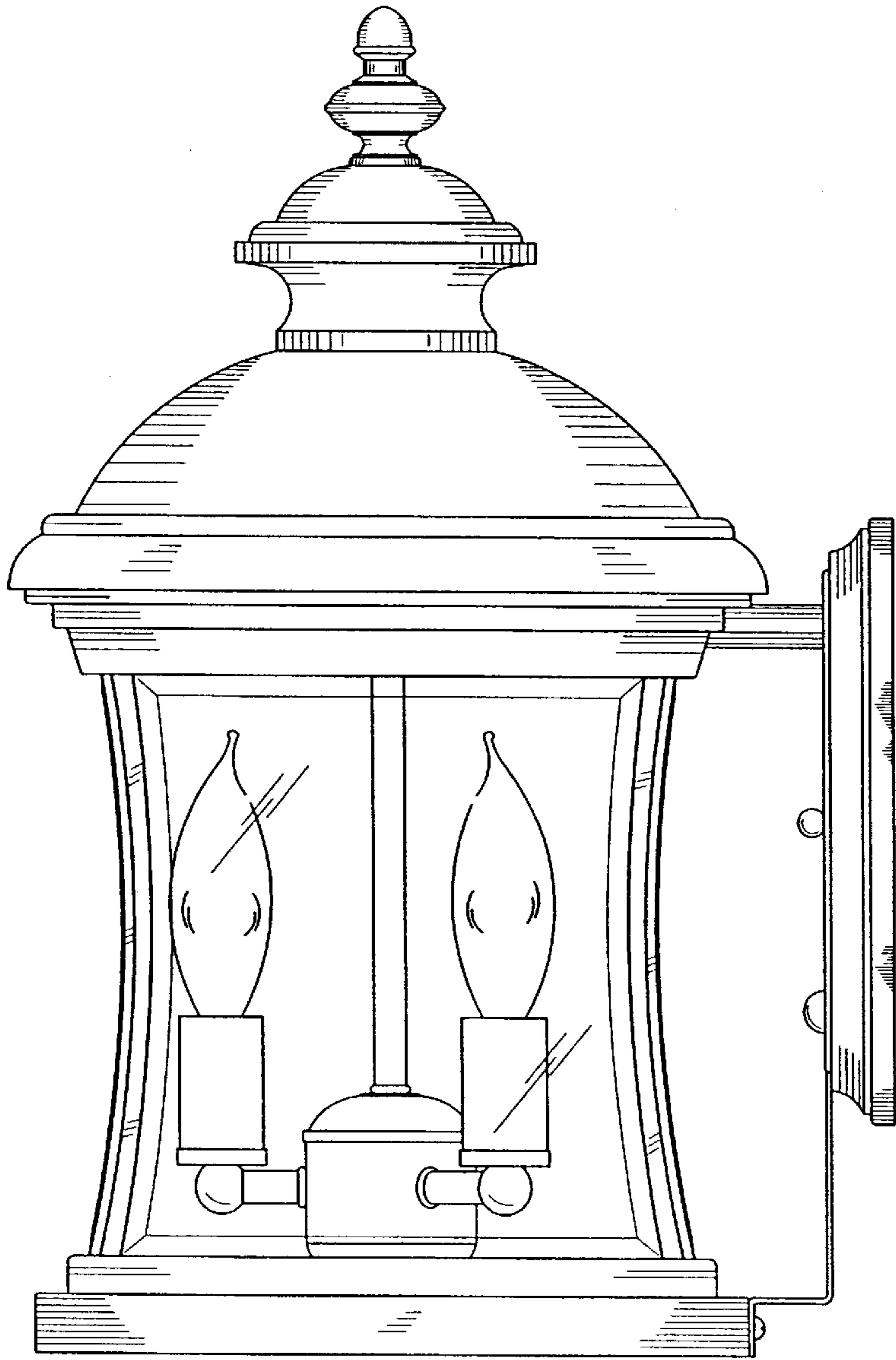


FIG. 10

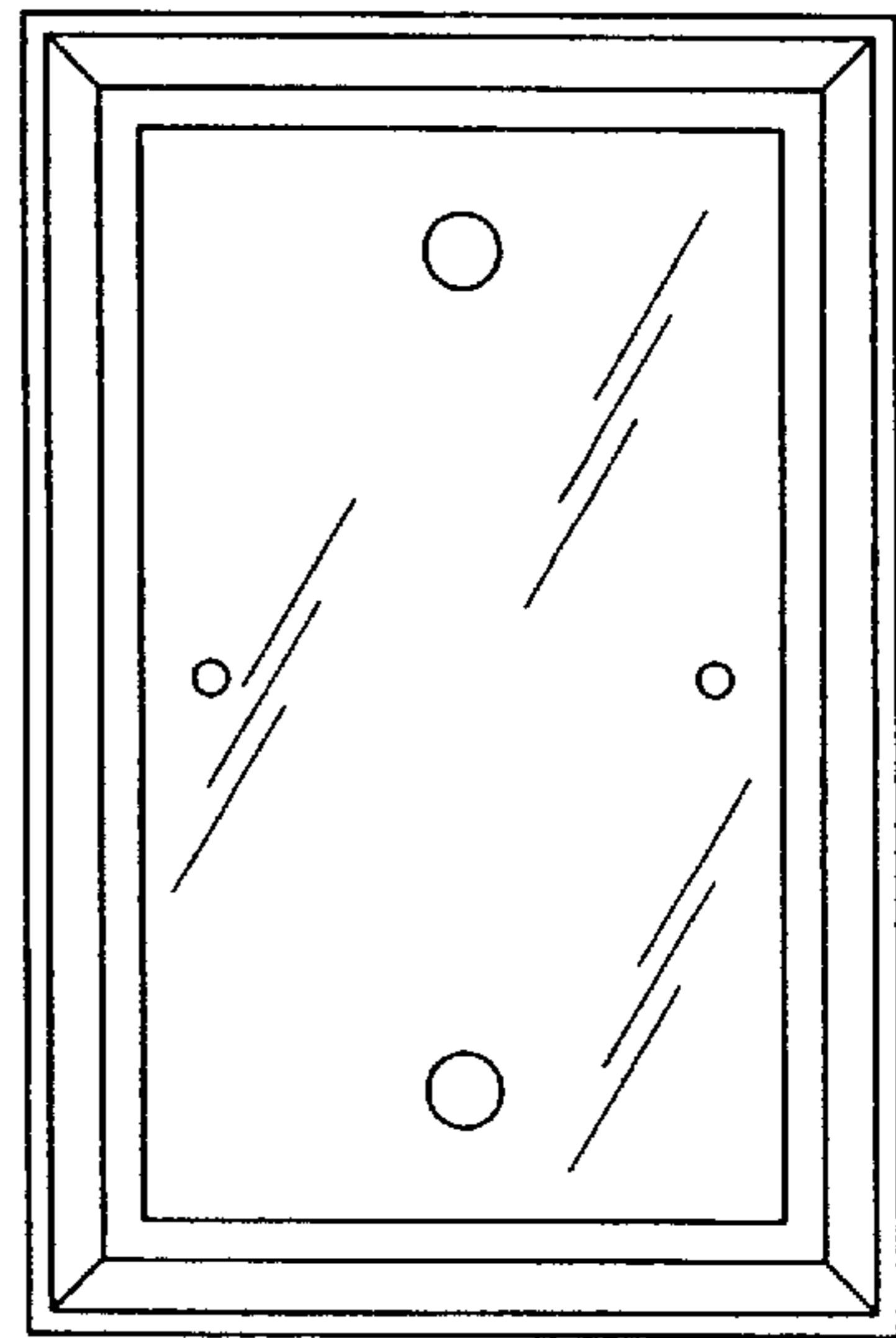


FIG. 11

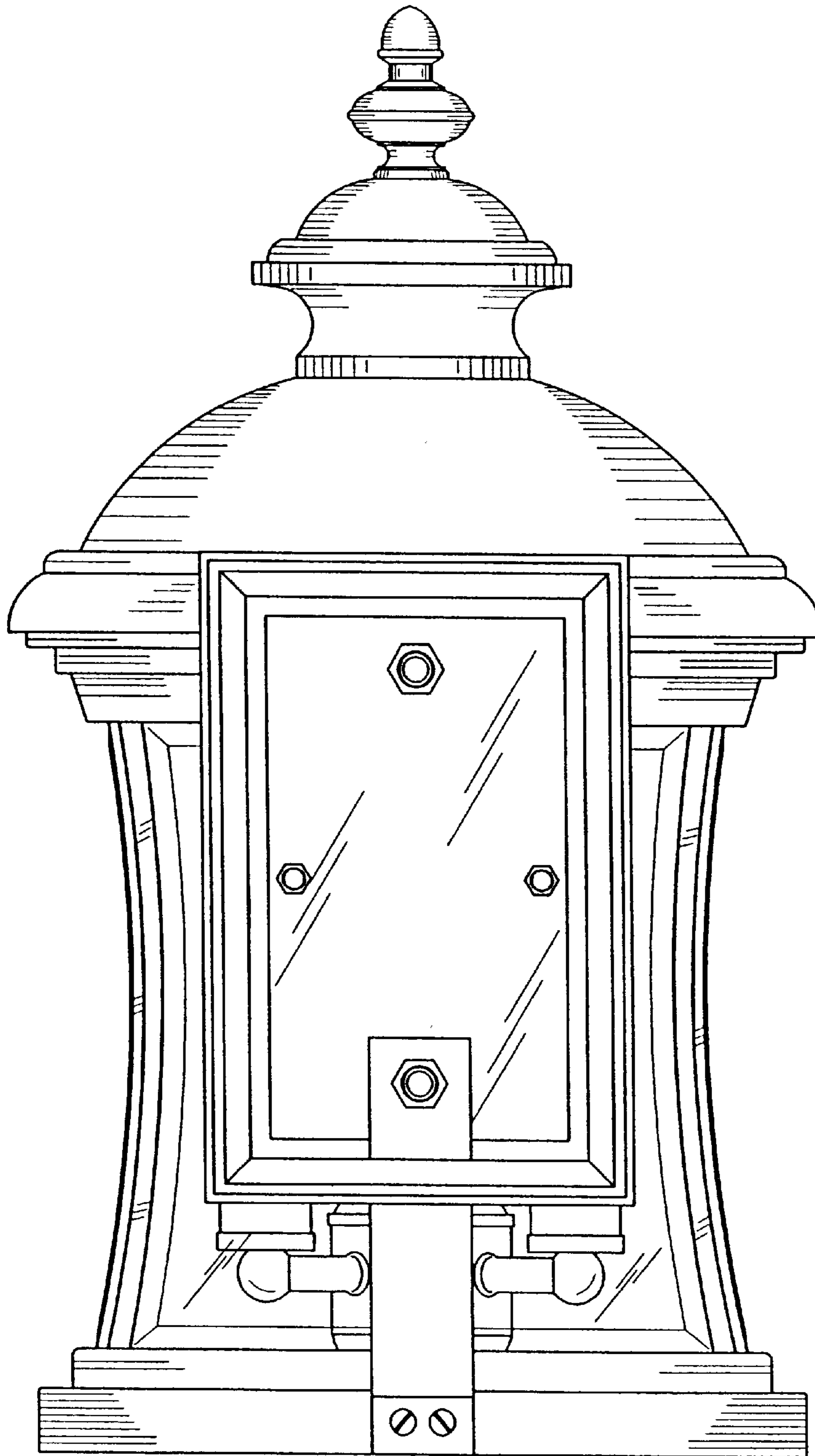


FIG. 12

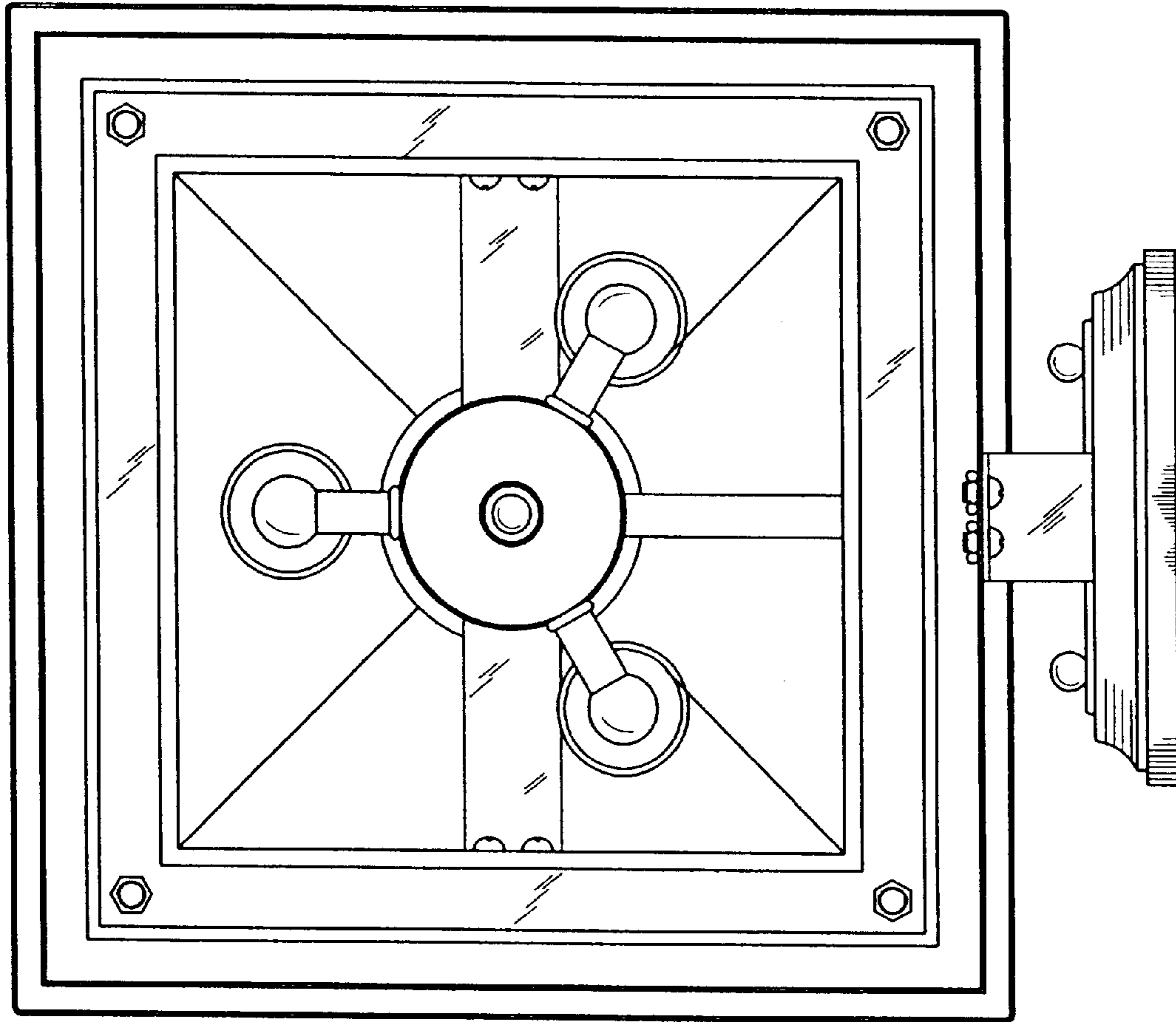


FIG. 13

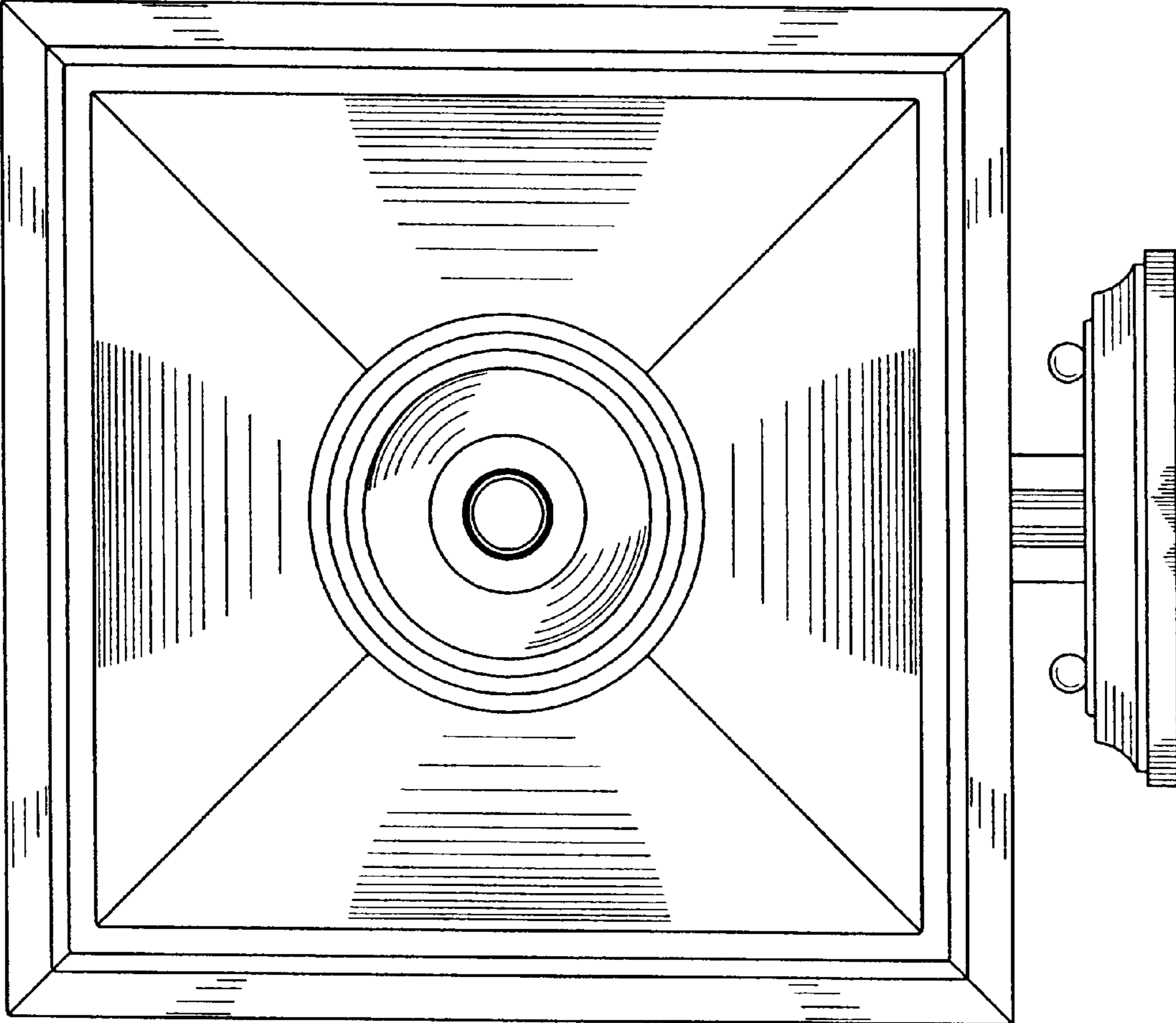


FIG. 14

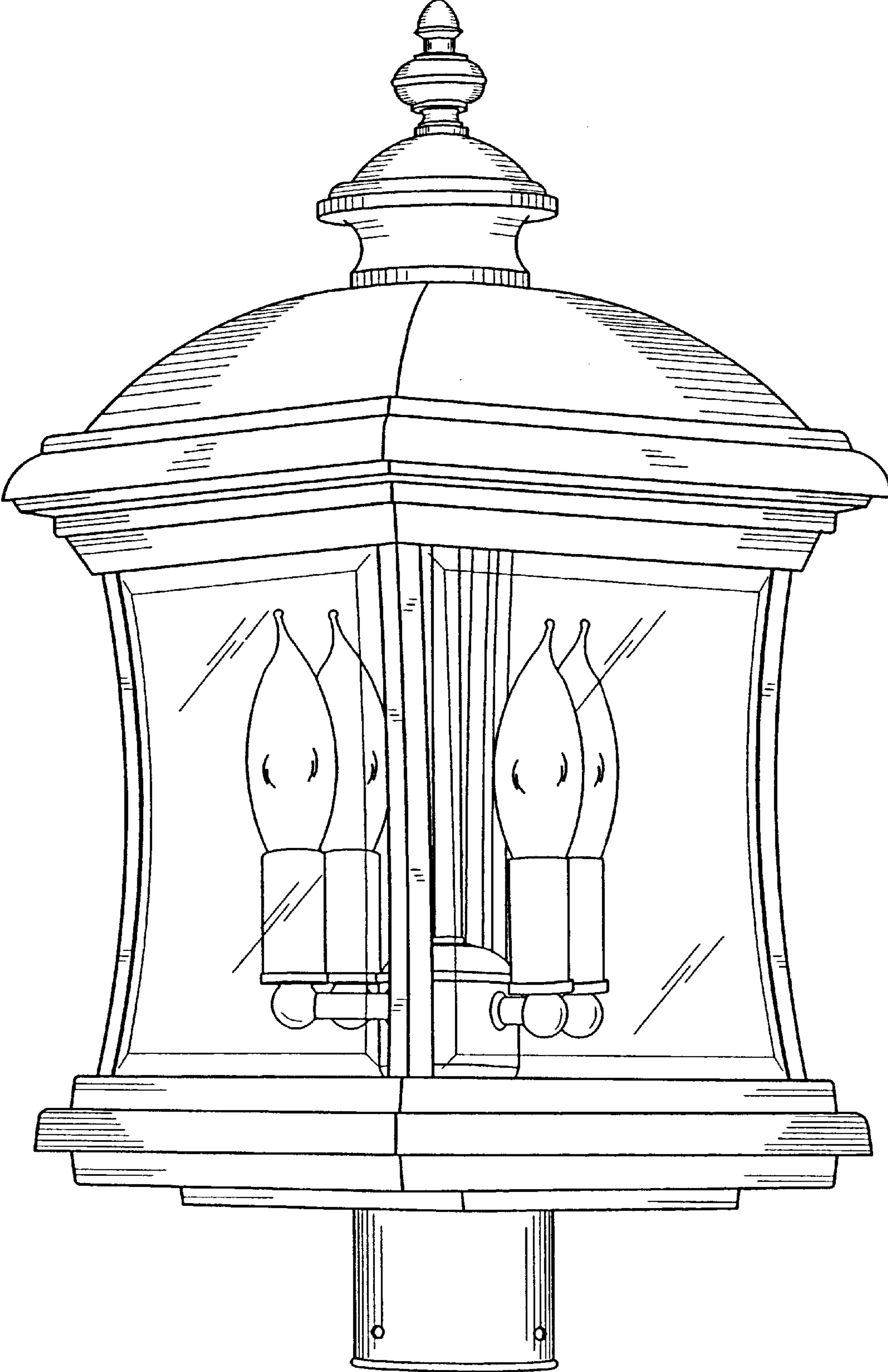


FIG. 15

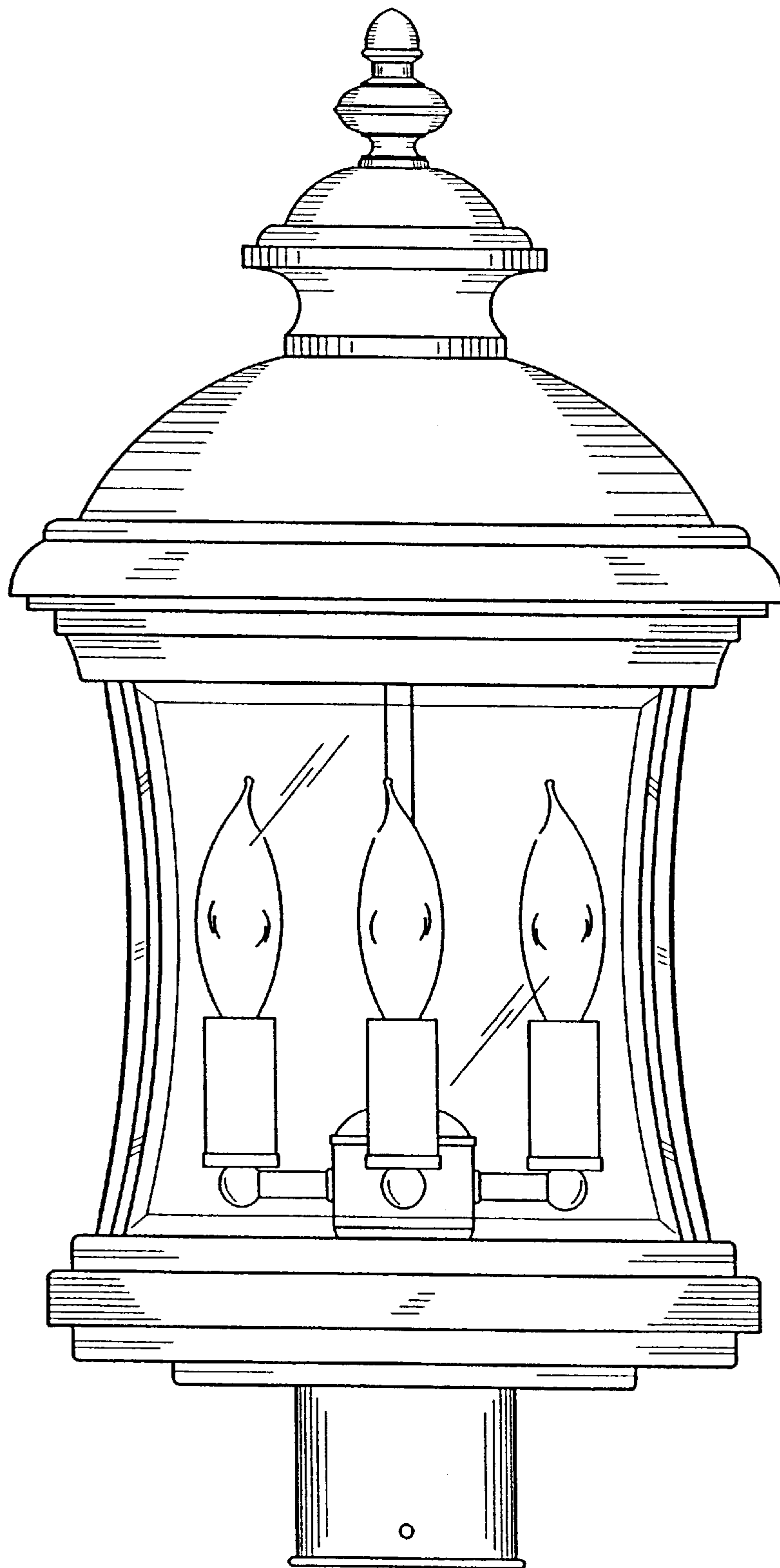


FIG. 16

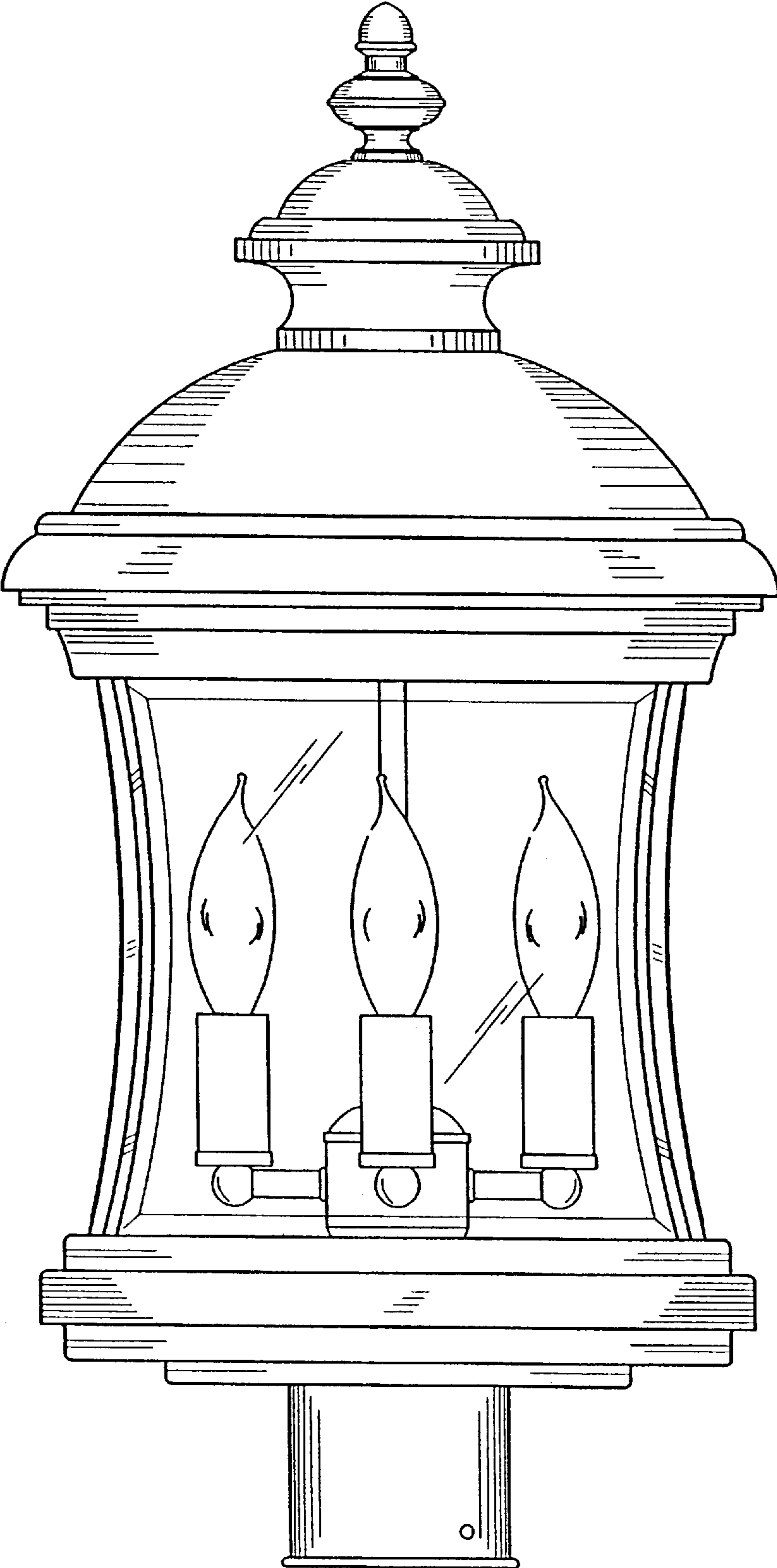


FIG. 17

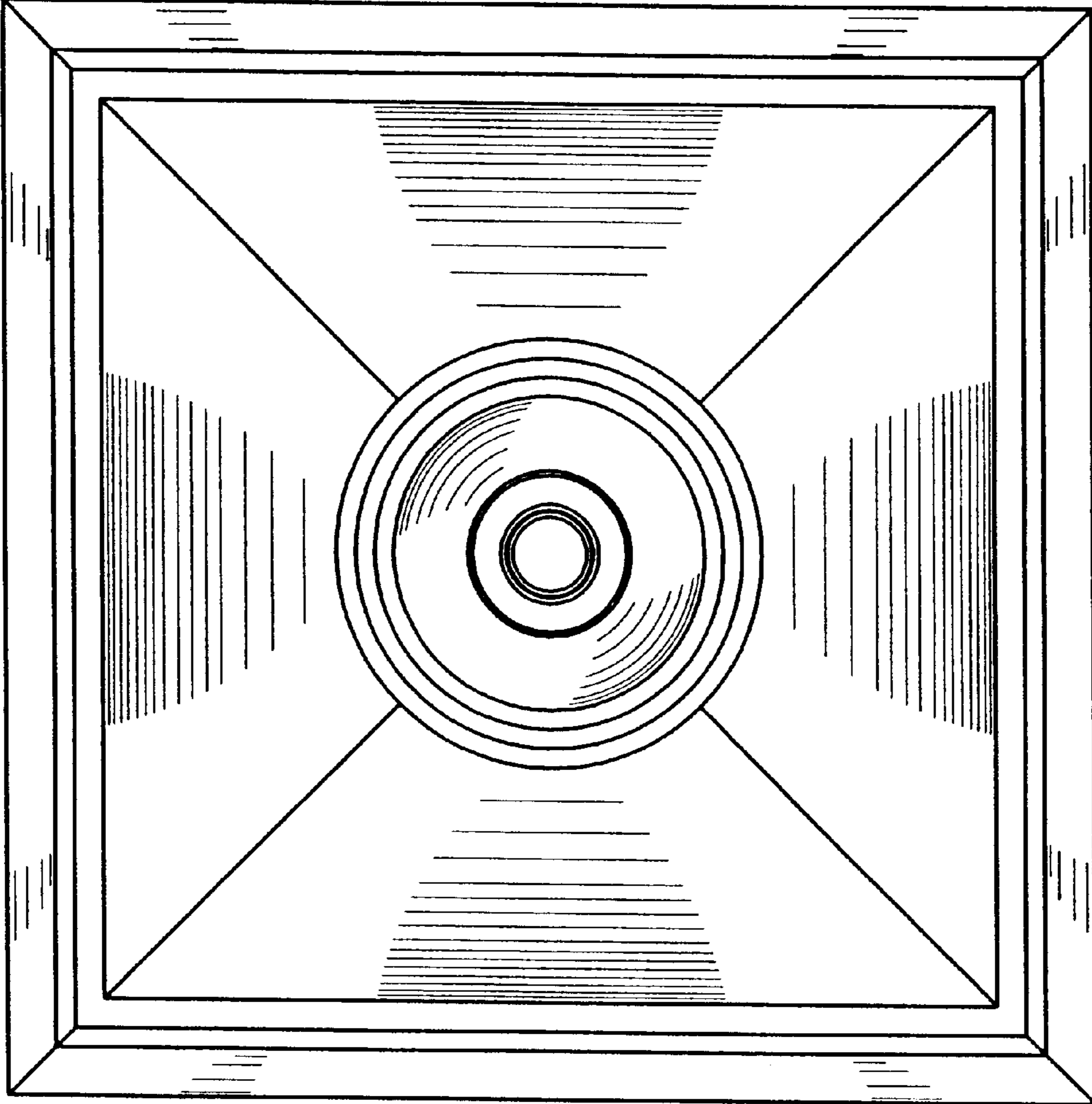


FIG. 18

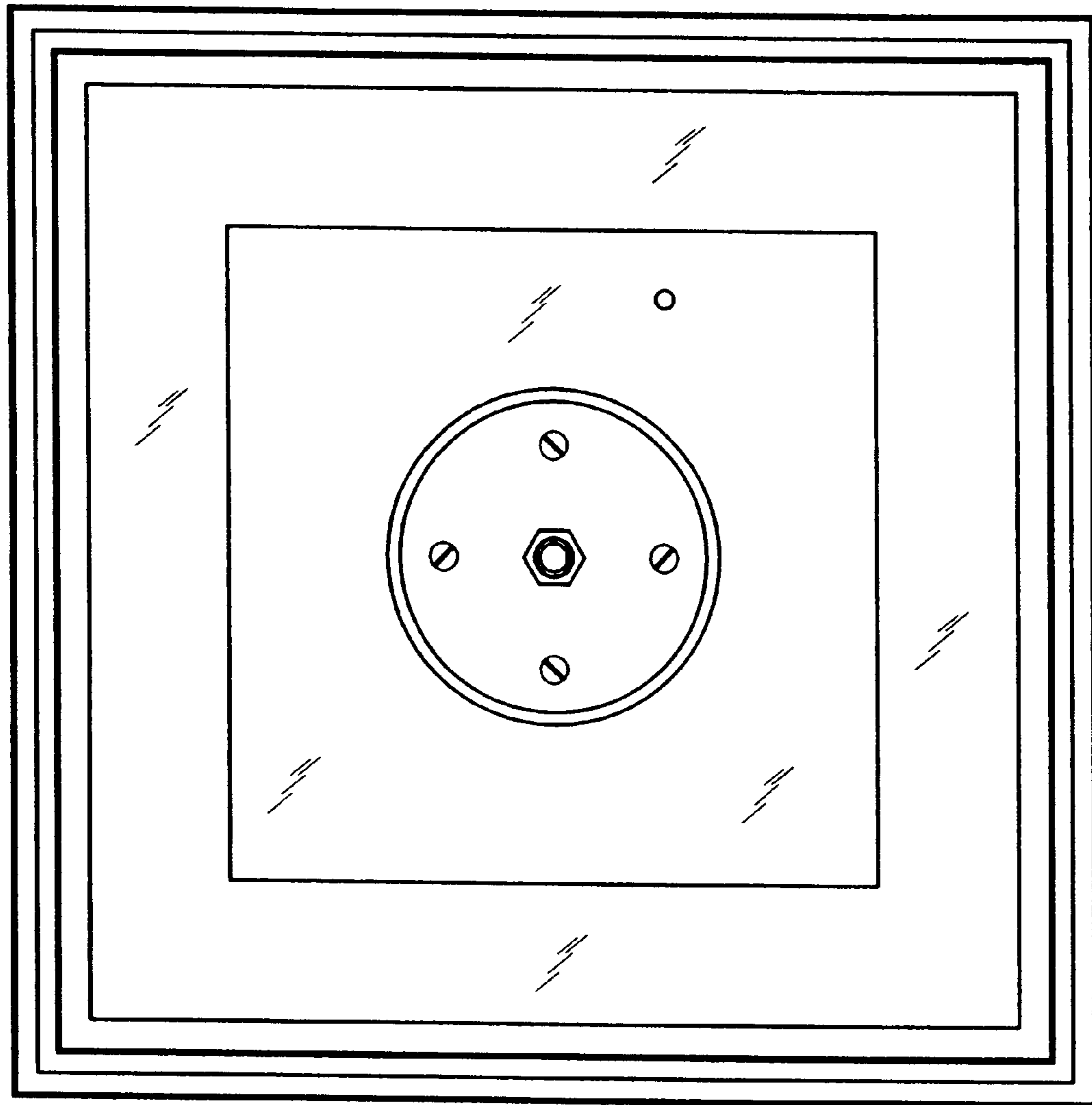


FIG. 19

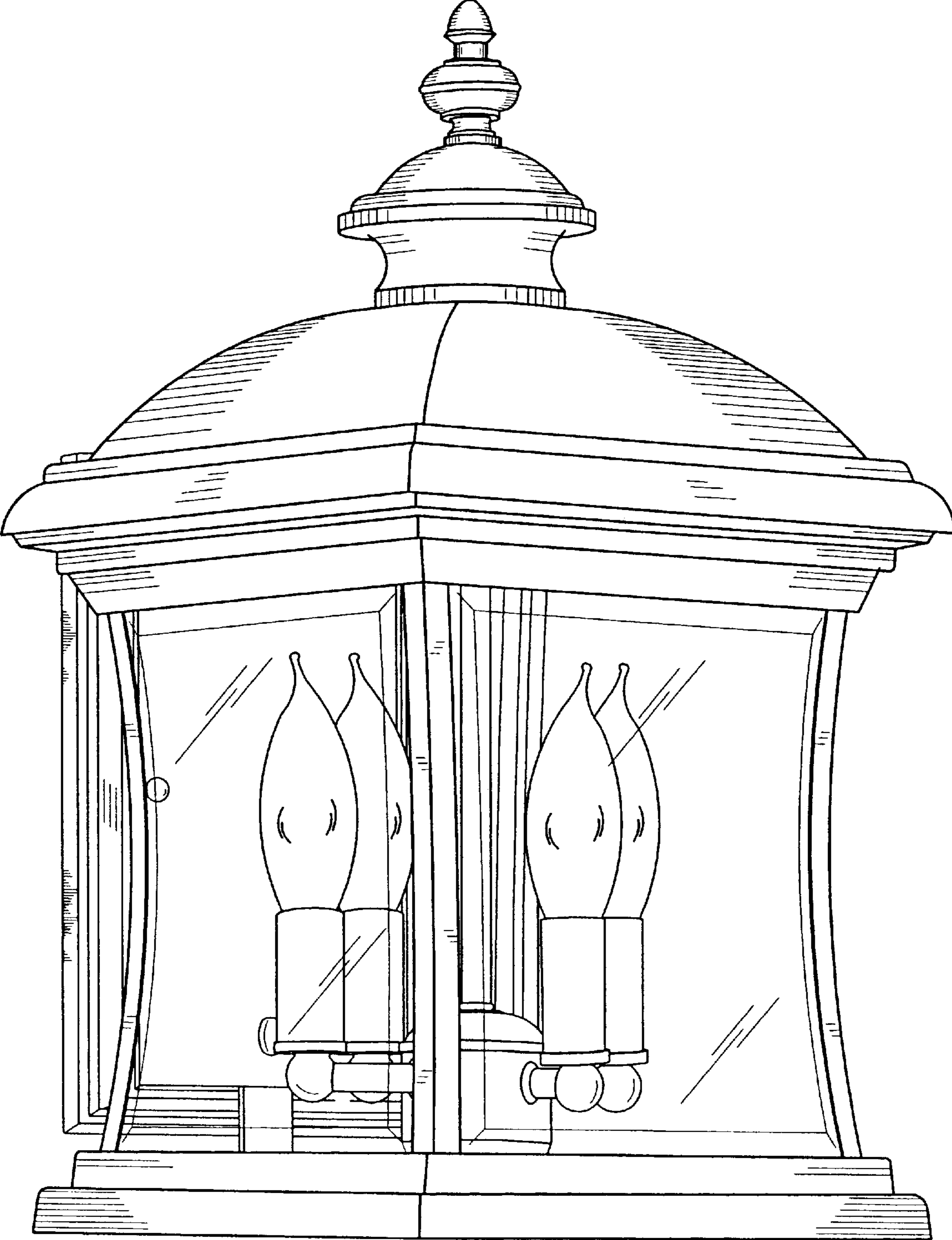


FIG. 20

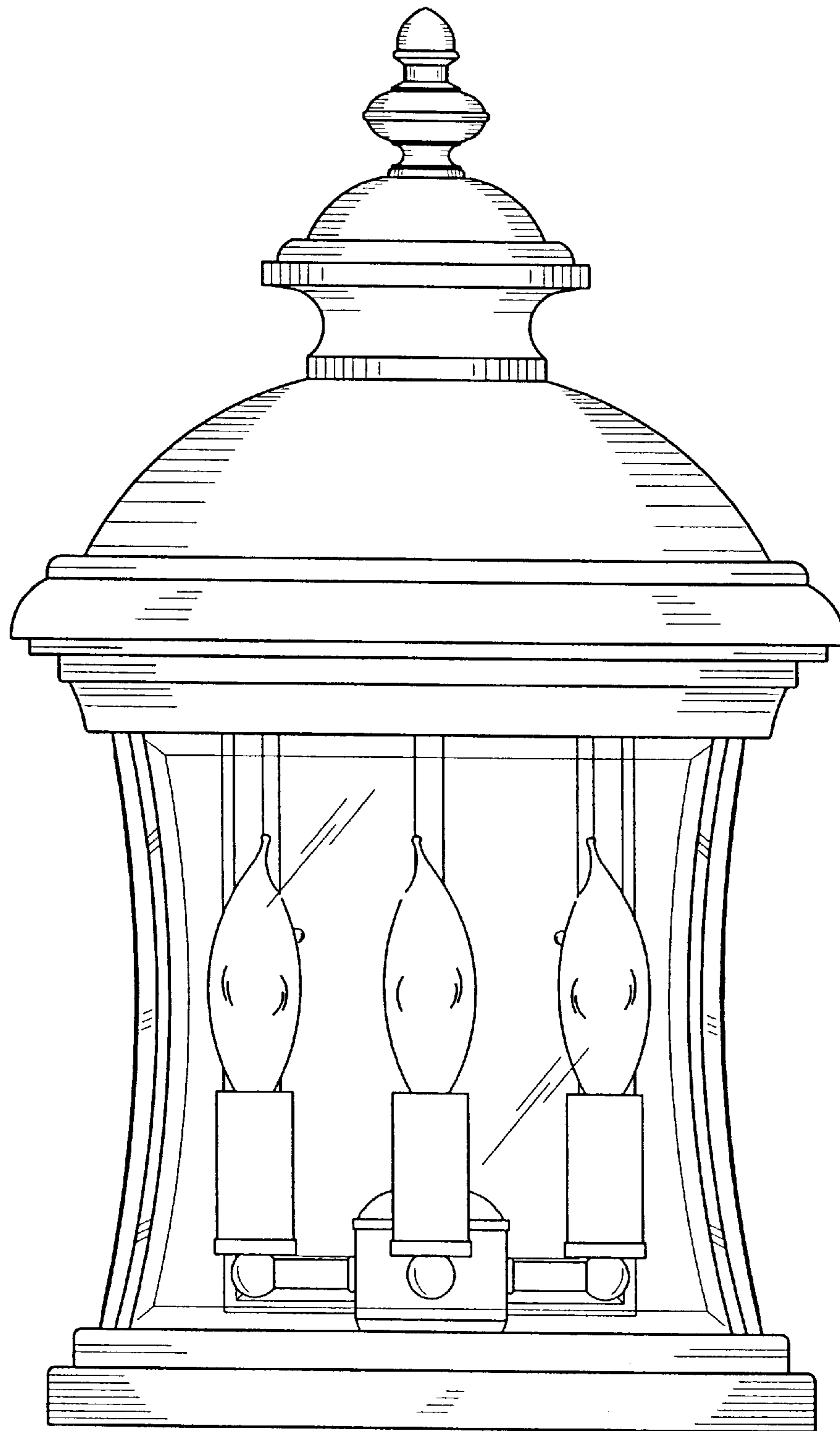


FIG. 21

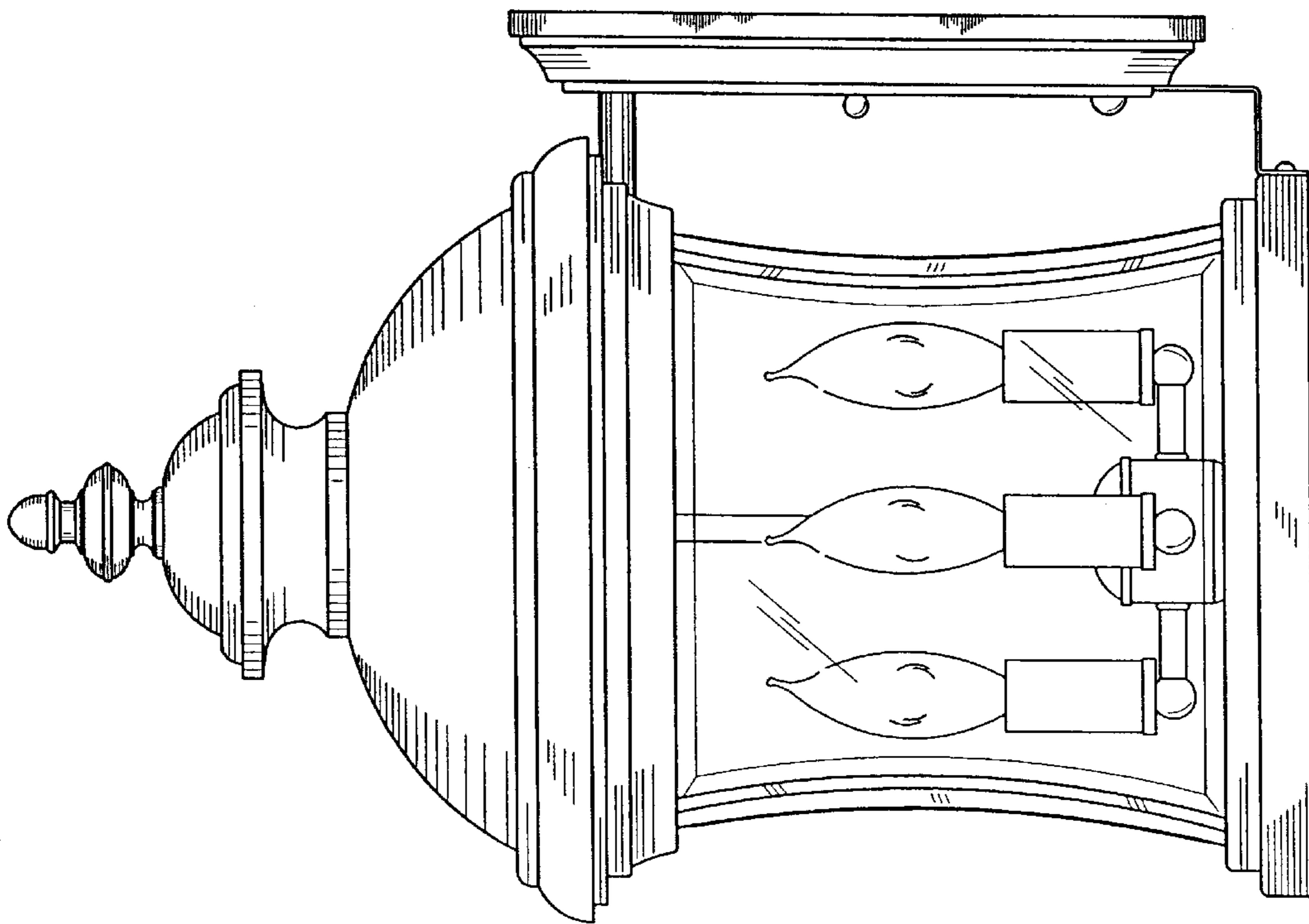


FIG. 22

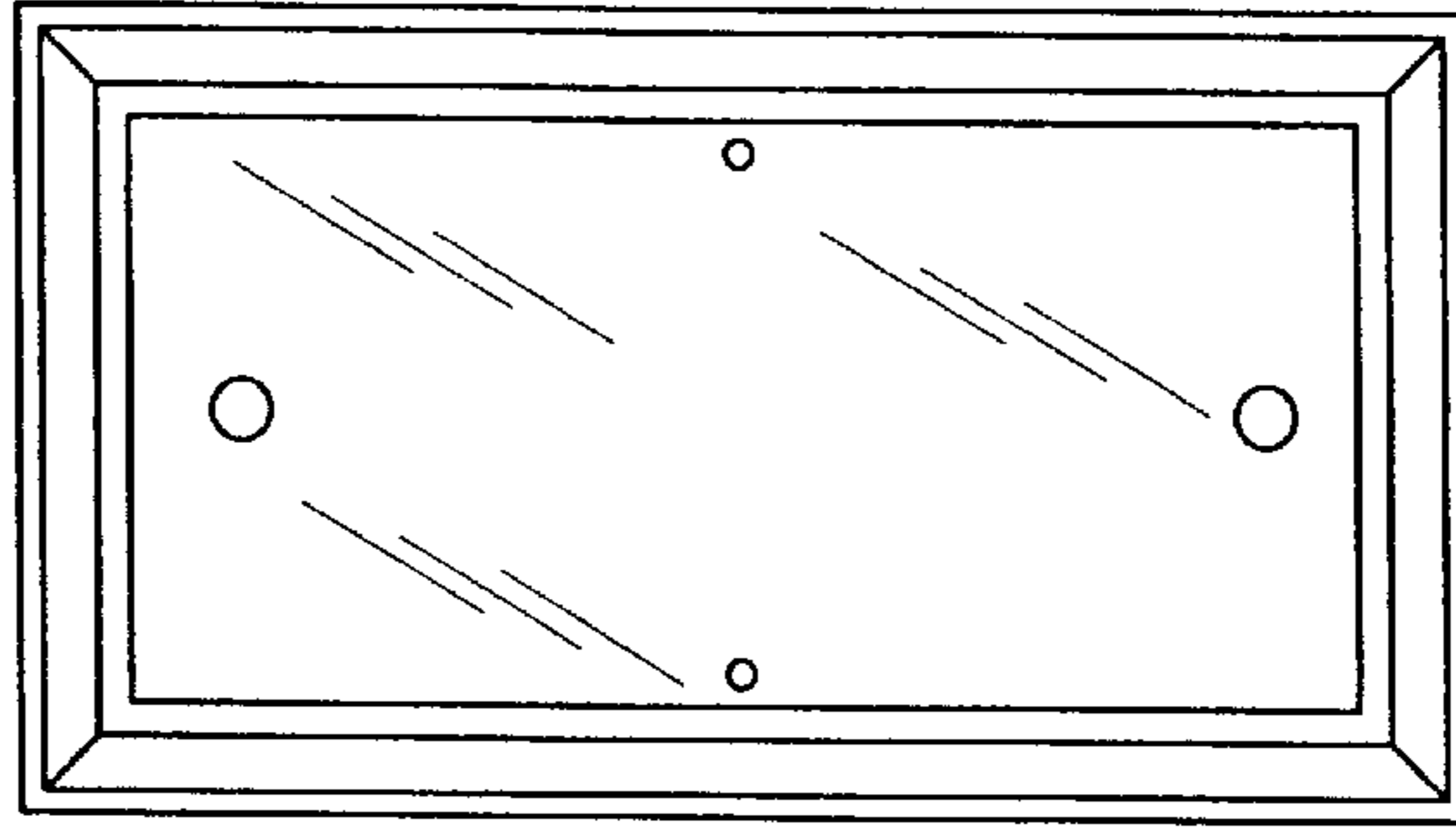


FIG. 23

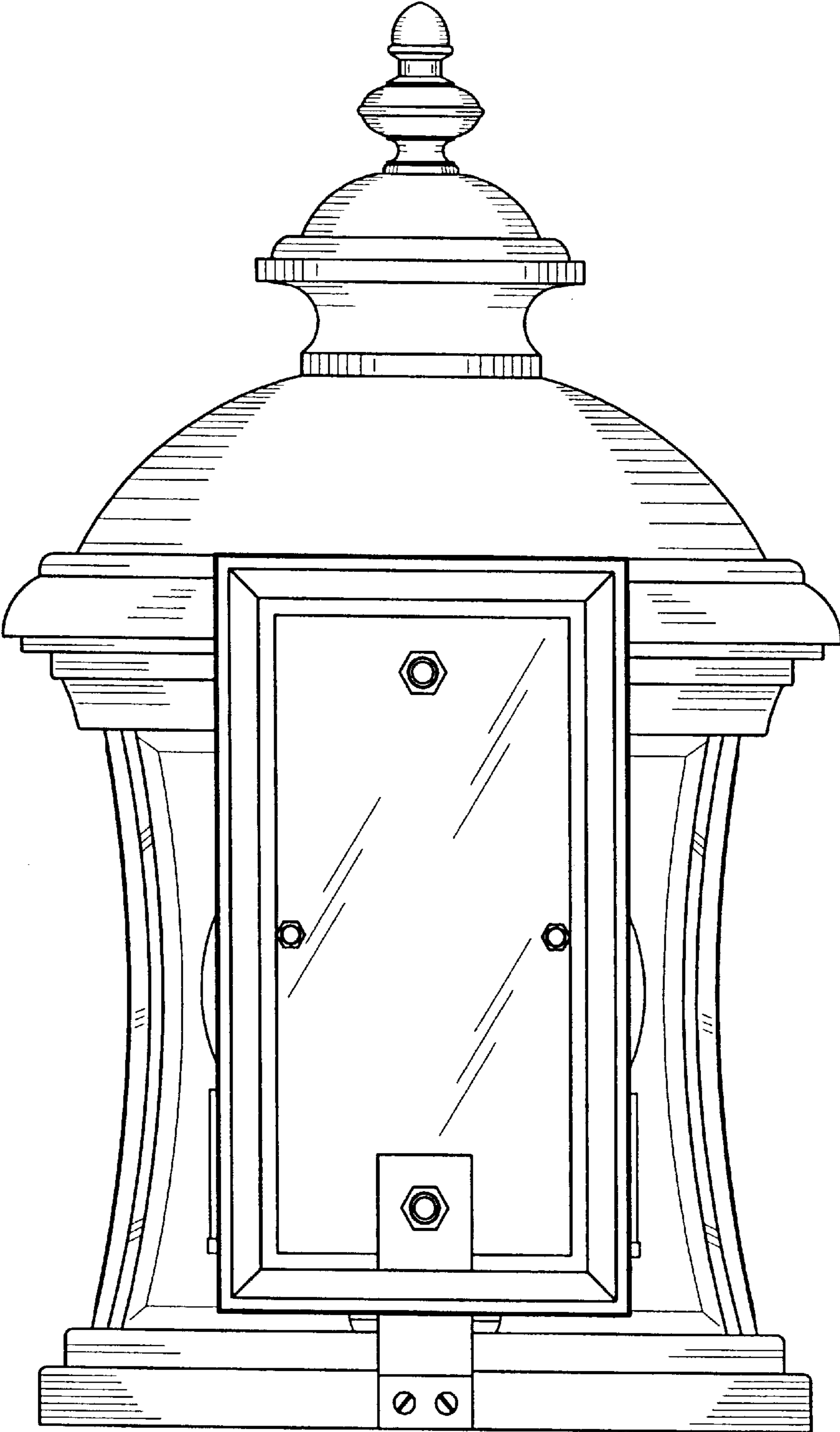


FIG. 24

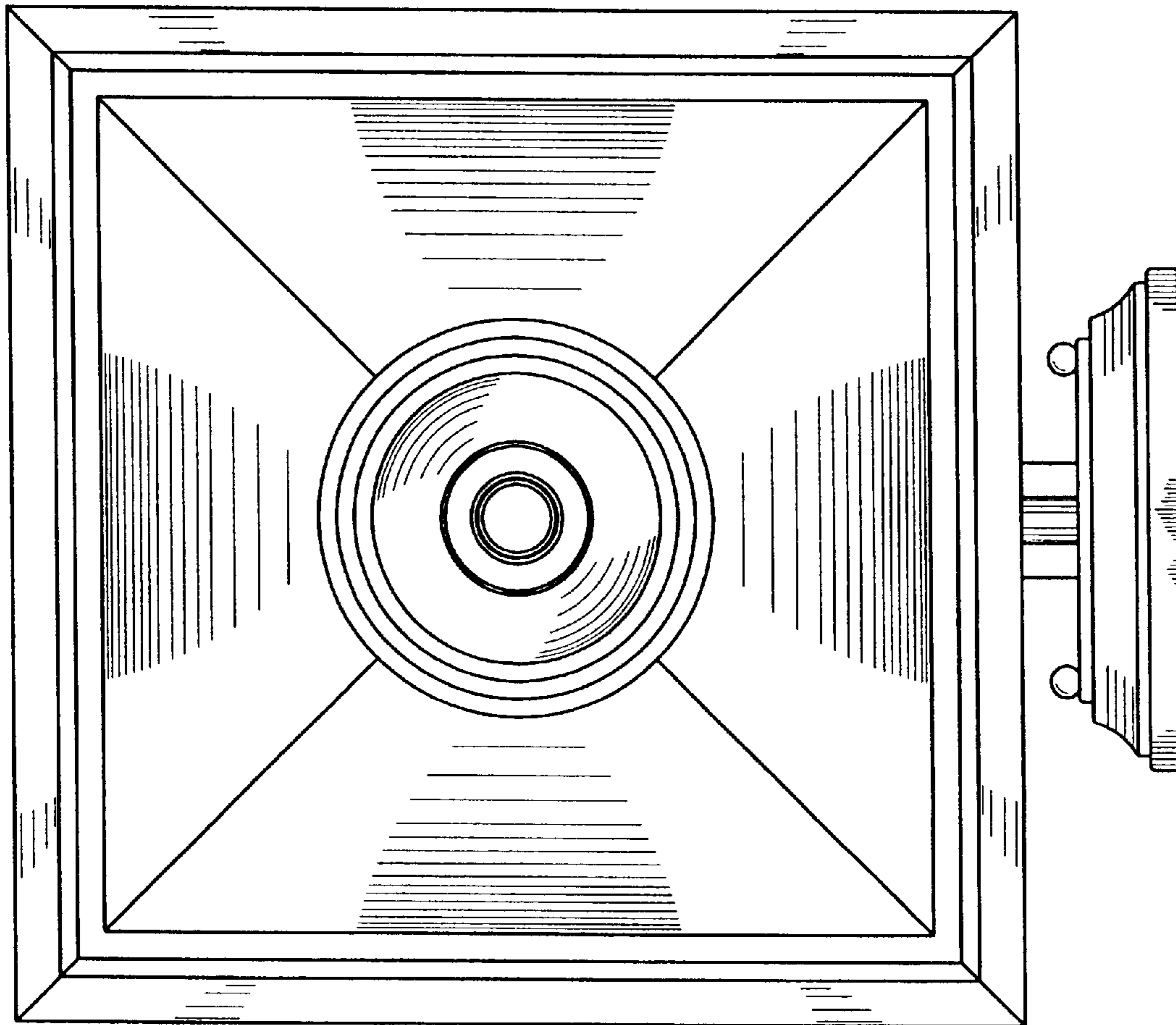


FIG. 25

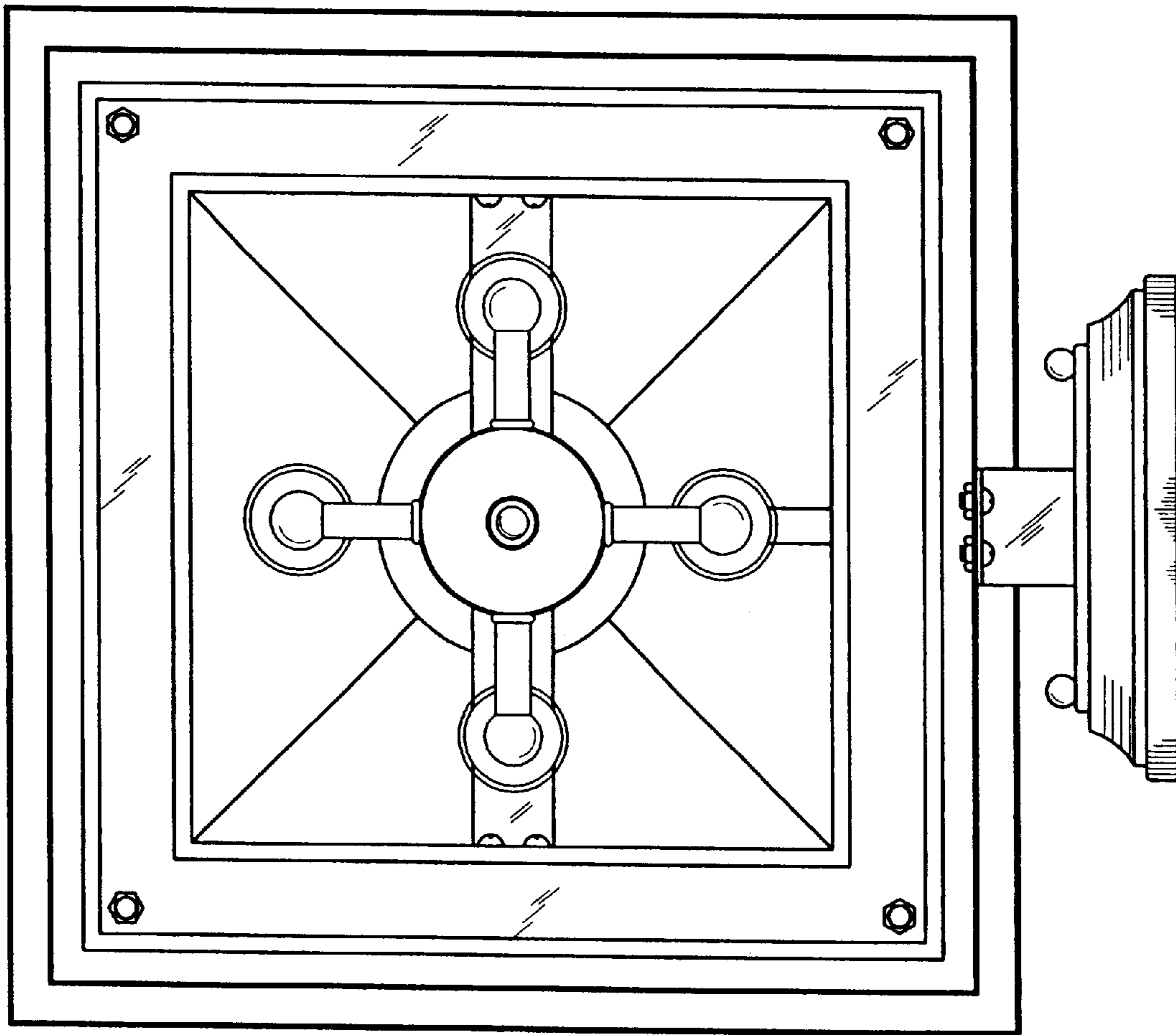


FIG. 26

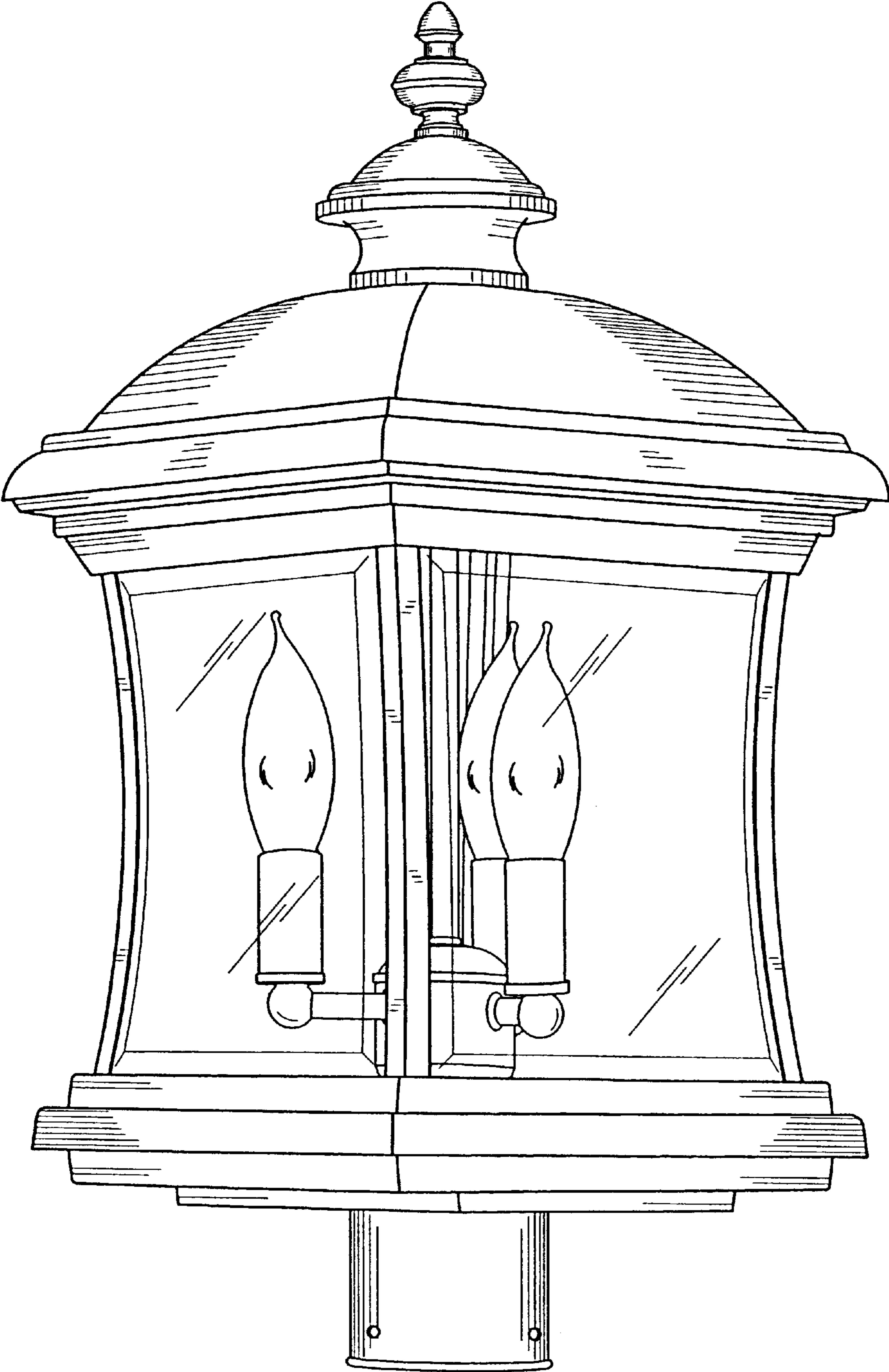


FIG. 27

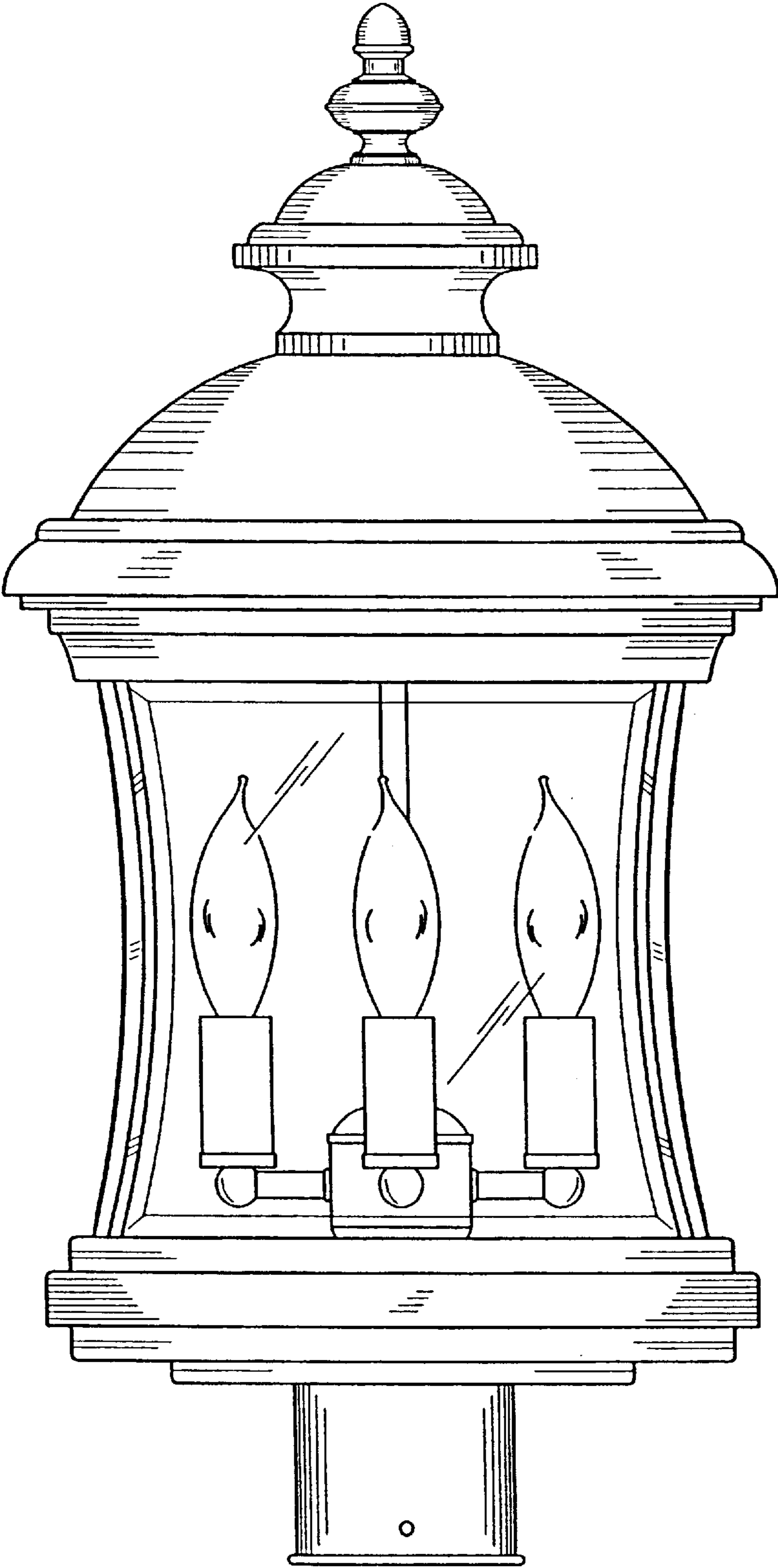


FIG. 28

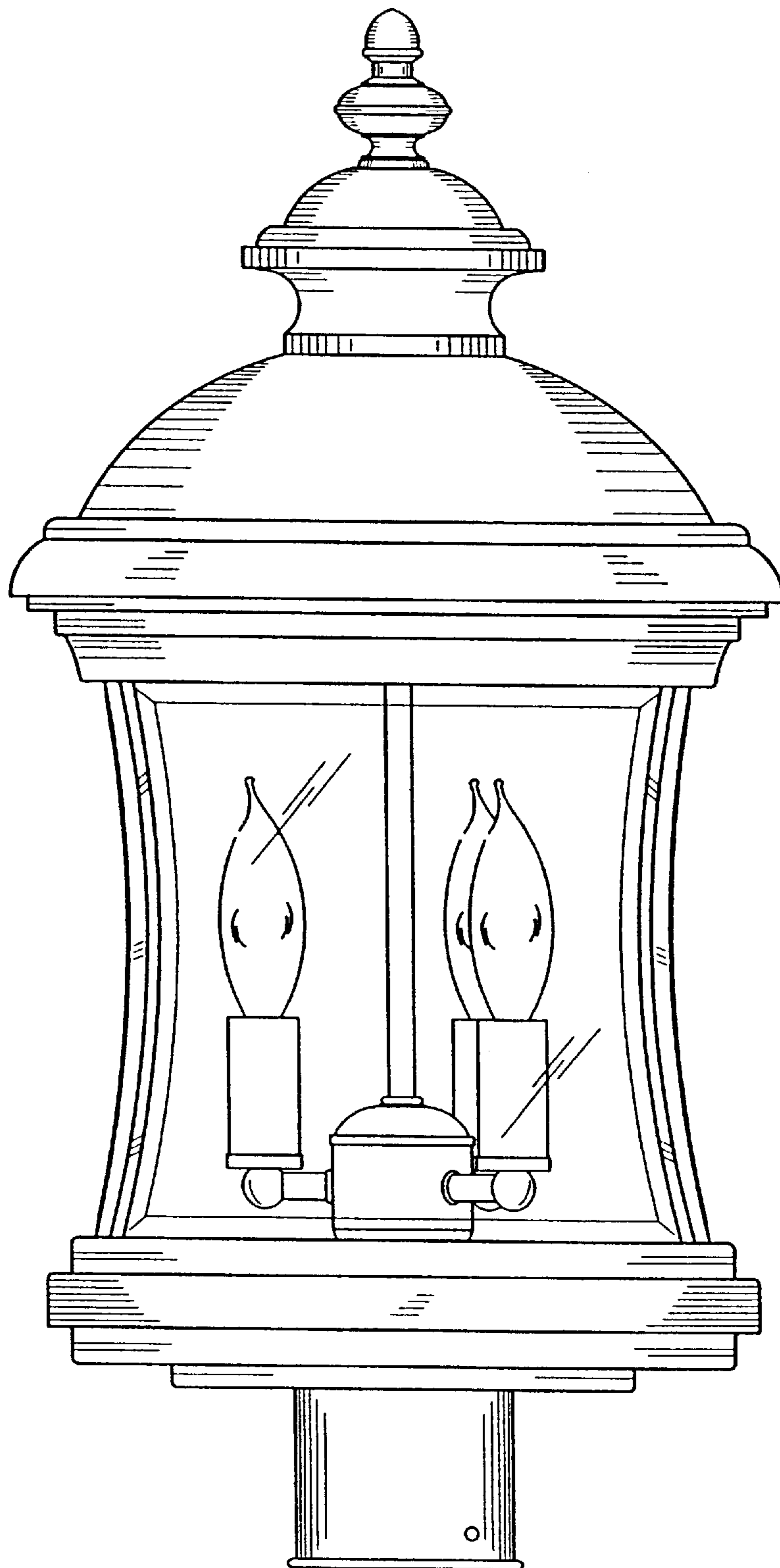


FIG. 29

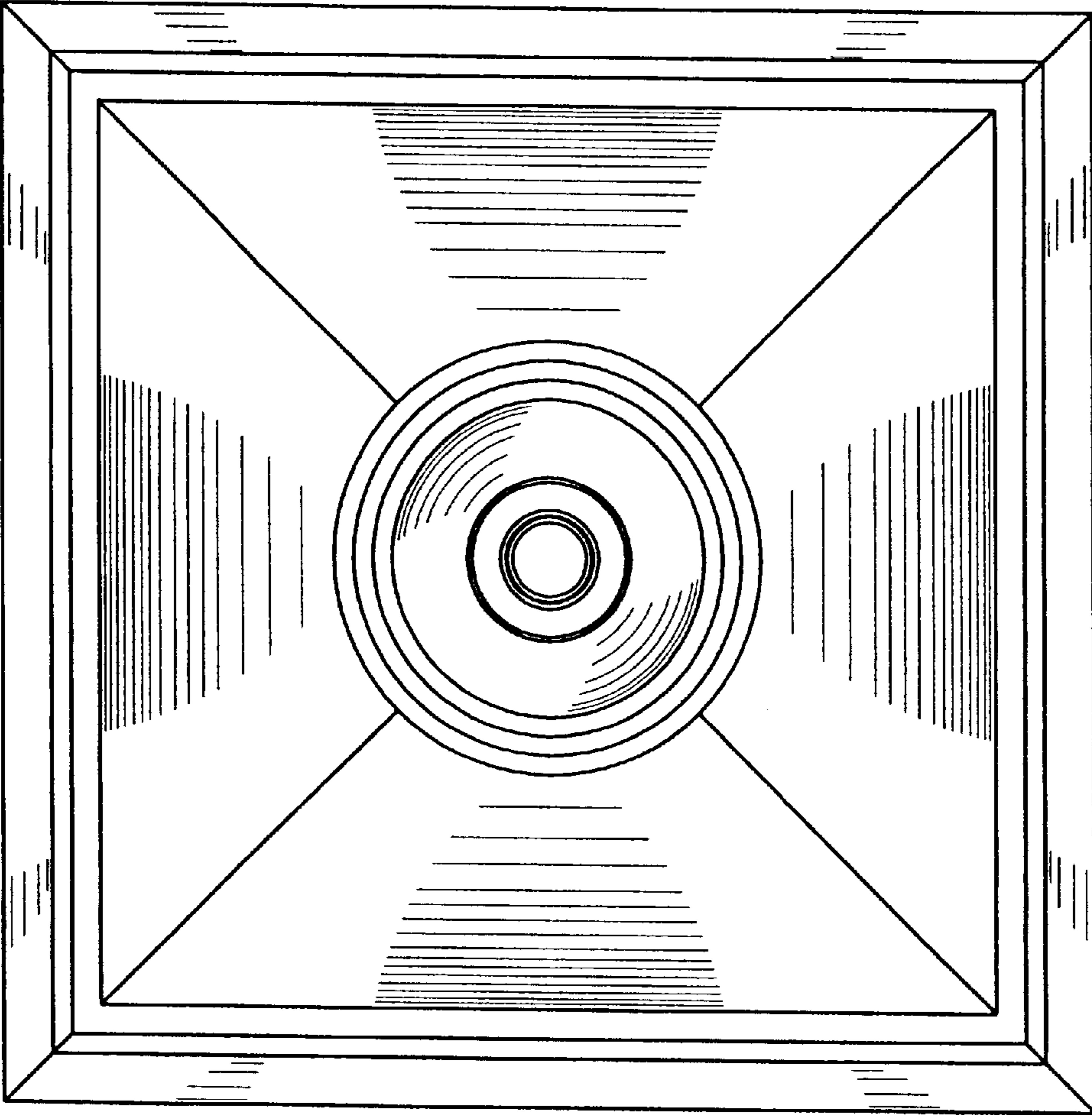


FIG. 30

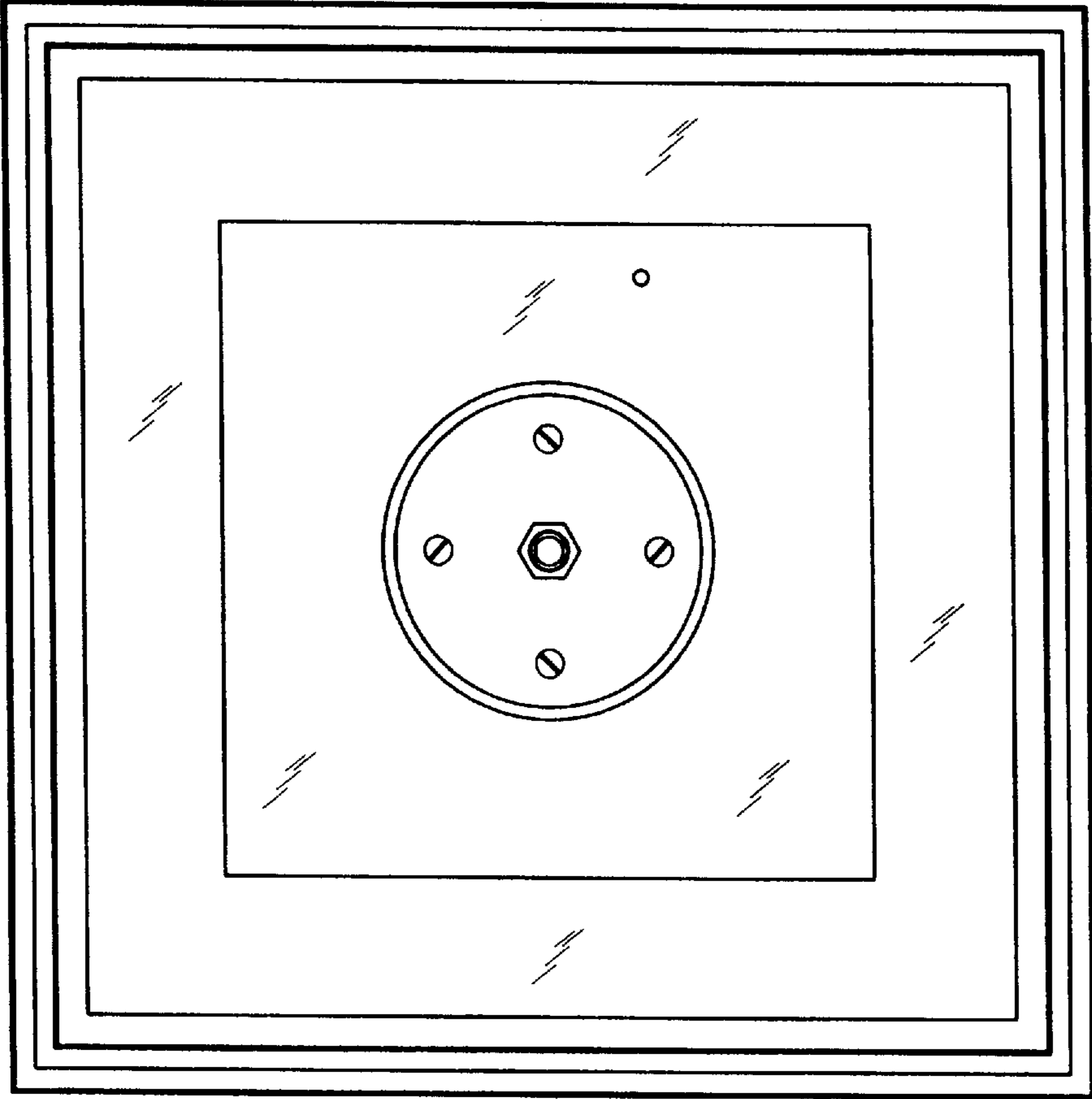


FIG. 31