



US00D515724S

(12) **United States Design Patent**
Tien et al.

(10) **Patent No.:** US D515,724 S
(45) **Date of Patent:** ** Feb. 21, 2006

(54) **OUTDOOR LANTERN WITH SEEDY GLASS**

(75) Inventors: **T.J. Tien**, Cerritos, CA (US); **Greg St. John**, Marietta, GA (US)

(73) Assignee: **Cordelia Lighting, Inc.**, Rancho Dominguez, CA (US)

(**) Term: **14 Years**

(21) Appl. No.: **29/222,021**

(22) Filed: **Jan. 25, 2005**

(51) **LOC (8) Cl.** **26-03**

(52) **U.S. Cl.** **D26/85; D26/87; D26/92**

(58) **Field of Classification Search** D26/72,
D26/73, 85, 87, 92, 118, 128-130, 137, 145-147,
D26/155, 156; 362/147, 362, 370, 371, 431,
362/432

See application file for complete search history.

(56) **References Cited**

U.S. PATENT DOCUMENTS

D72,714 S	*	5/1927	Lipschutz	D26/87
D76,062 S	*	8/1928	Shortt	D26/87
D428,662 S	*	7/2000	Jaspers-Fayer et al.	D26/67
D429,834 S	*	8/2000	Cohen	D26/72
D440,002 S	*	4/2001	Miranda	D26/87
D470,261 S	*	2/2003	Dolan	D26/67

OTHER PUBLICATIONS

Framburg 2001 Catalog. Item 8755 from the "Somerset" collection on p. 160.*

Lamps Plus' Spring 2005 Catalog. Item B—Bellagio Collection Wall Light on p. 36.*

* cited by examiner

Primary Examiner—Clare E Heflin

(74) *Attorney, Agent, or Firm*—Paul Y. Feng; Fulwider Patton Lee & Utecht, LLP

(57) **CLAIM**

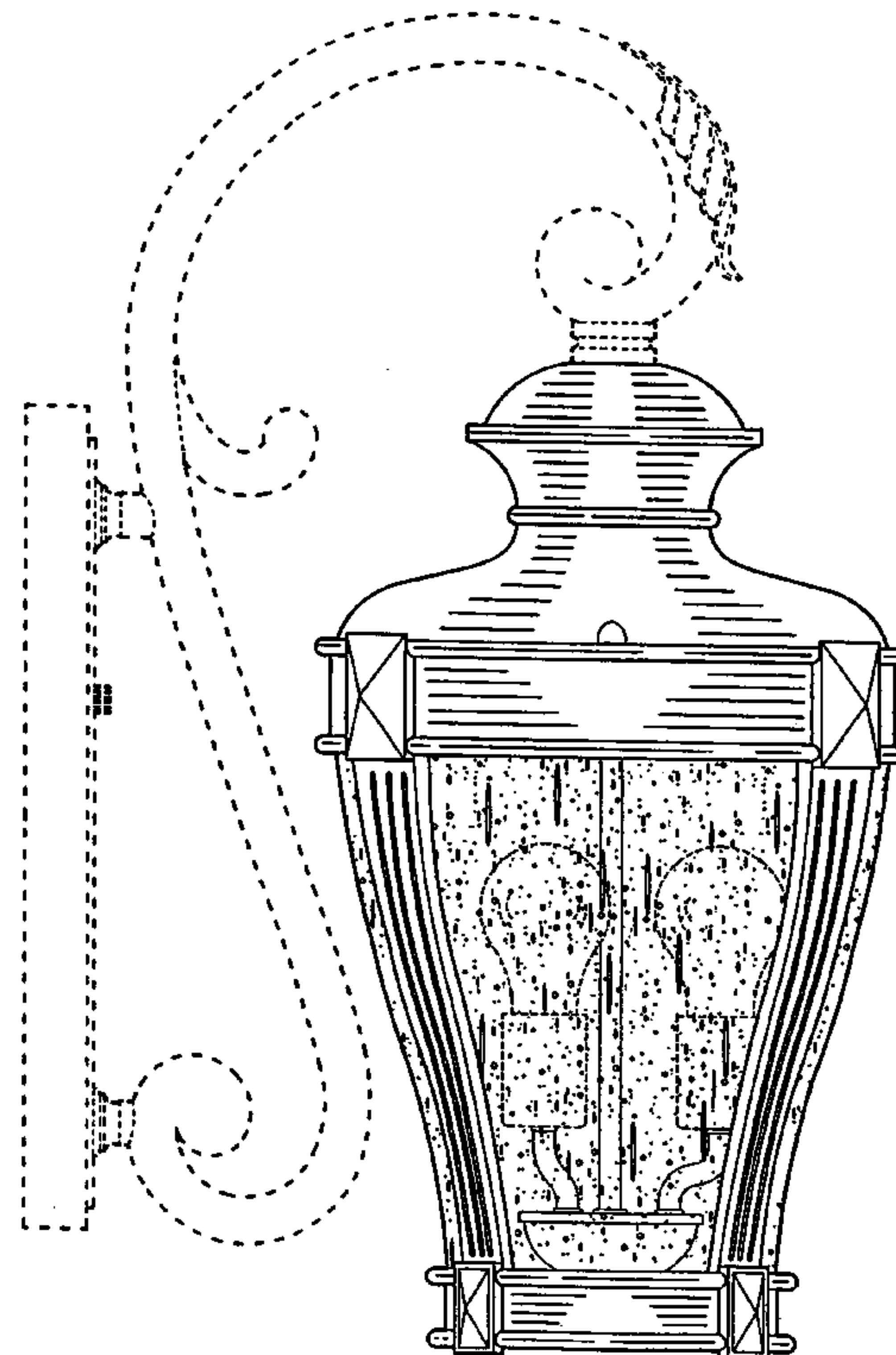
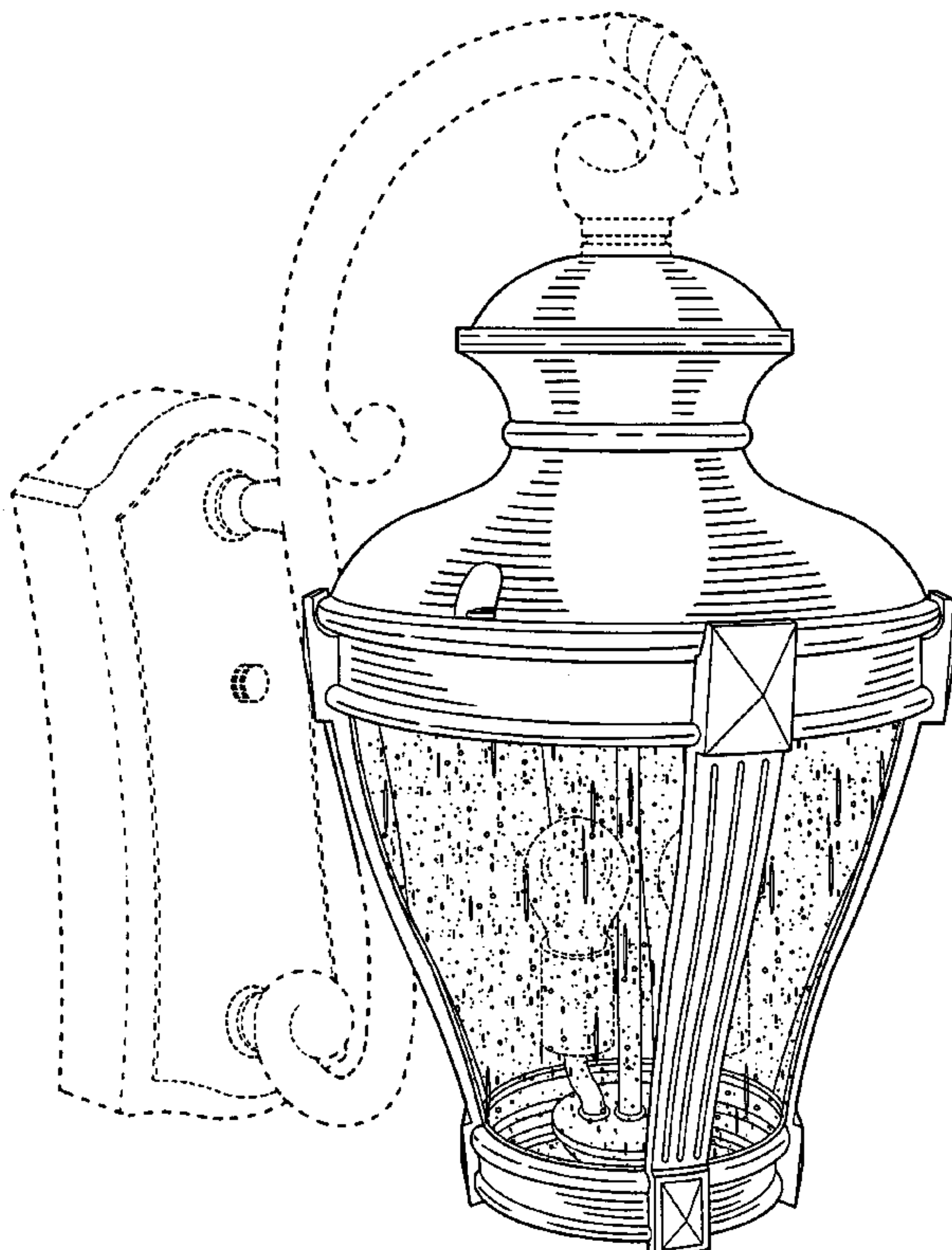
The ornamental design for an outdoor lantern with seedy glass, as shown and described.

DESCRIPTION

FIG. 1 is a perspective view of my outdoor lantern with seedy glass showing my new design; FIG. 2 is a front elevational view; FIG. 3 is a rear elevational view; FIG. 4 is a left side elevational view; FIG. 5 is a right side elevational view; FIG. 6 is a bottom view; and, FIG. 7 is a top plan view.

The broken lines shown on the drawings are for illustrative purposes only and form no part of the claimed design.

1 Claim, 7 Drawing Sheets



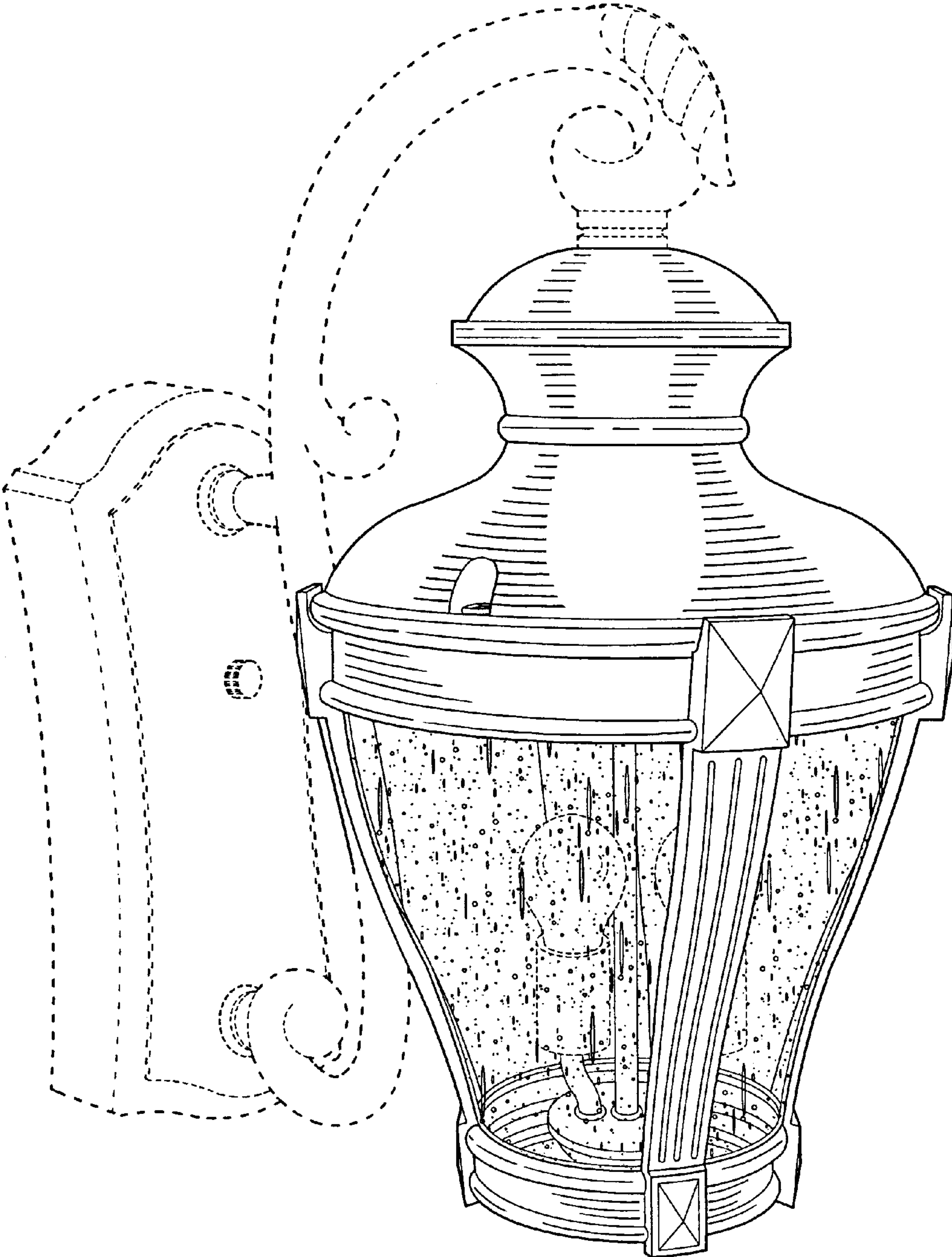


FIG. 1

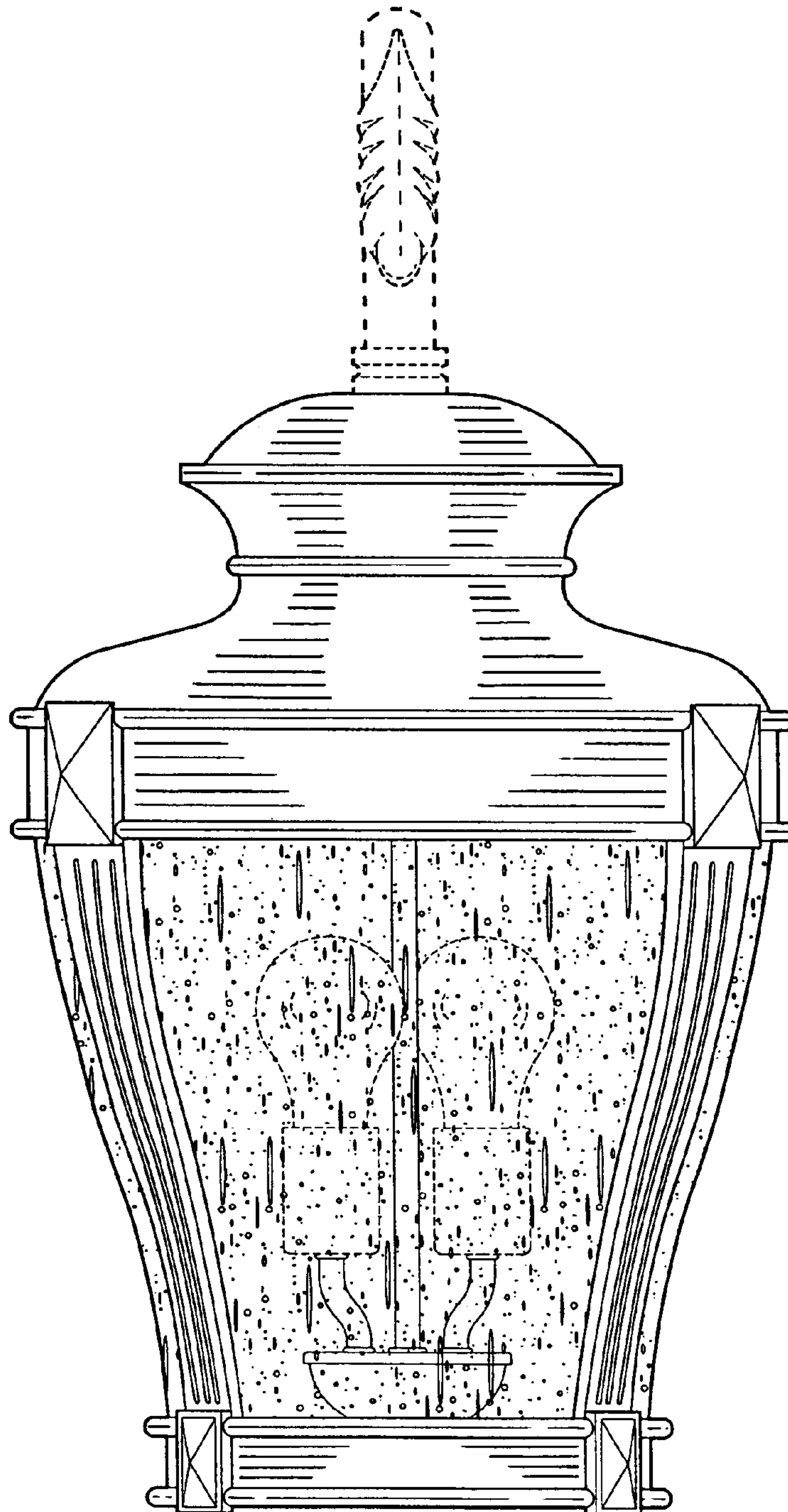


FIG. 2

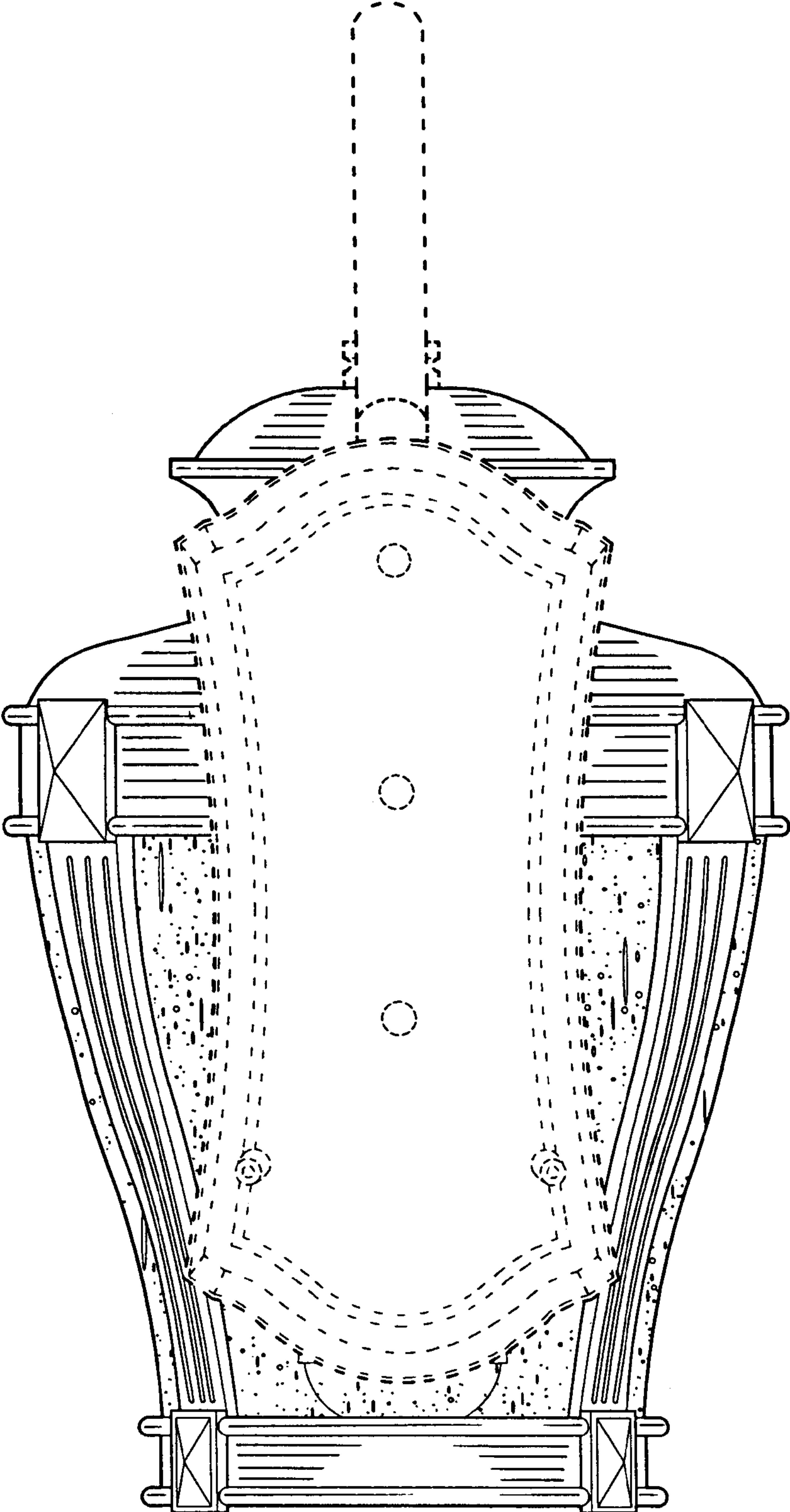


FIG. 3

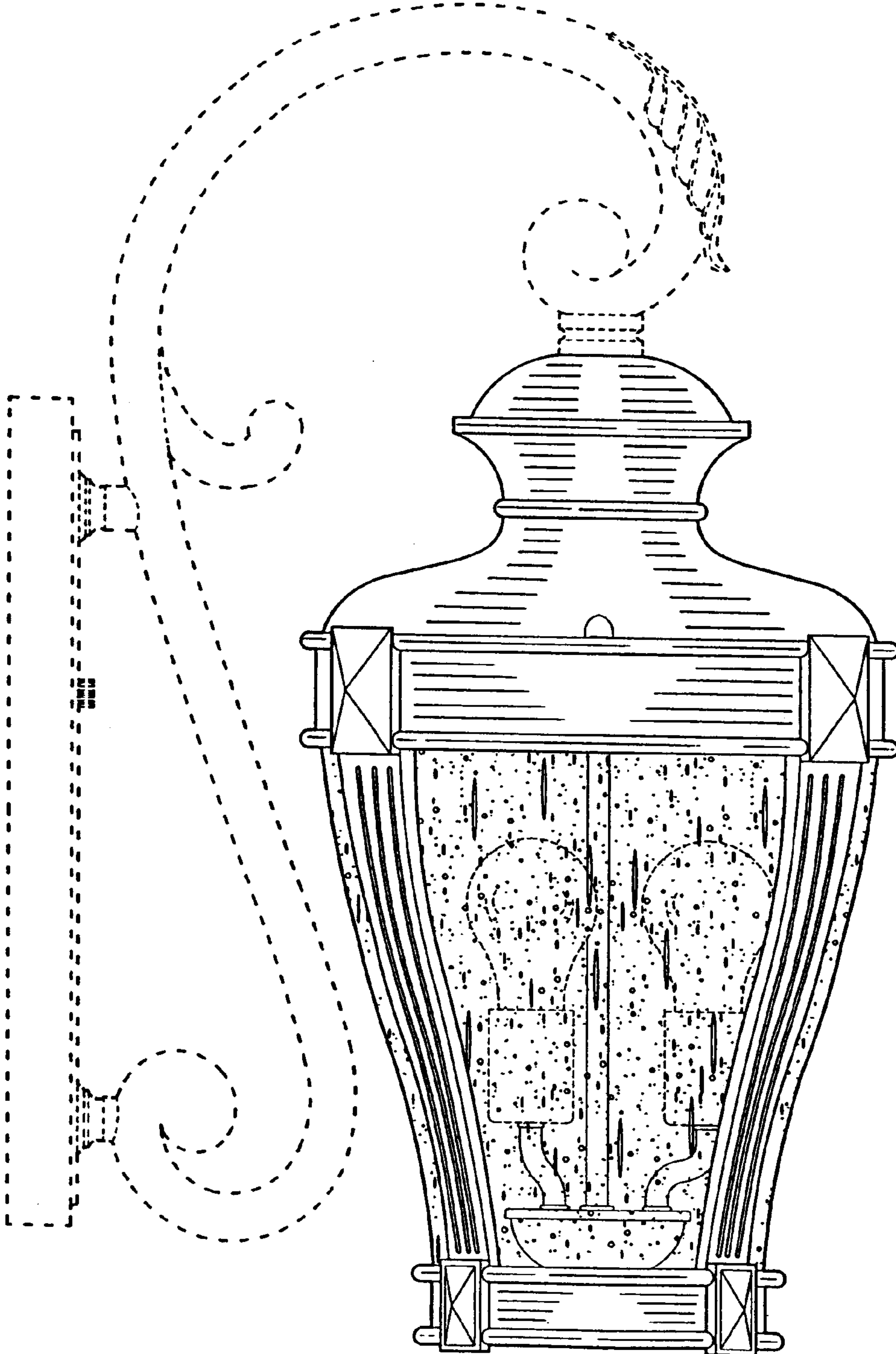


FIG. 4

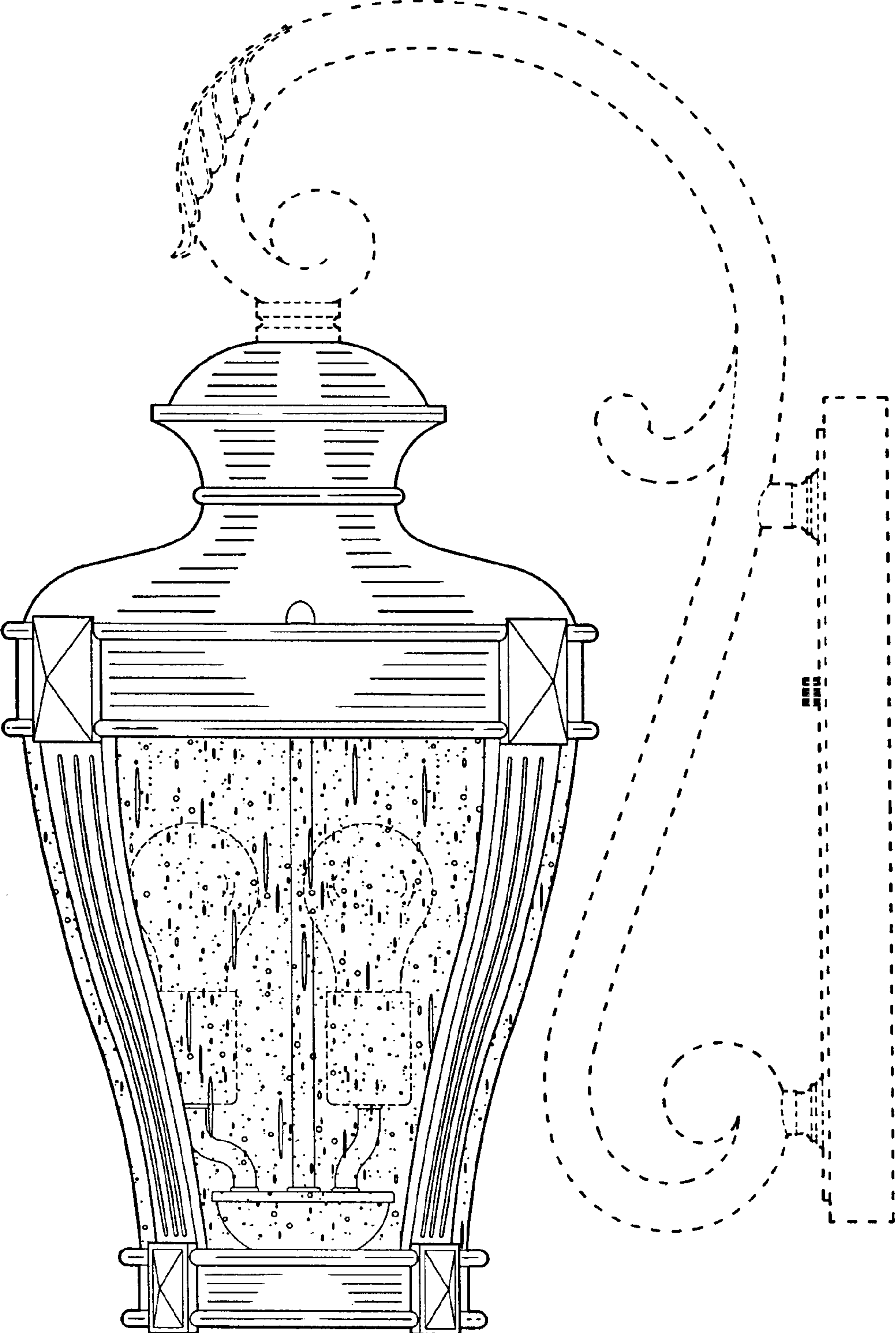


FIG. 5

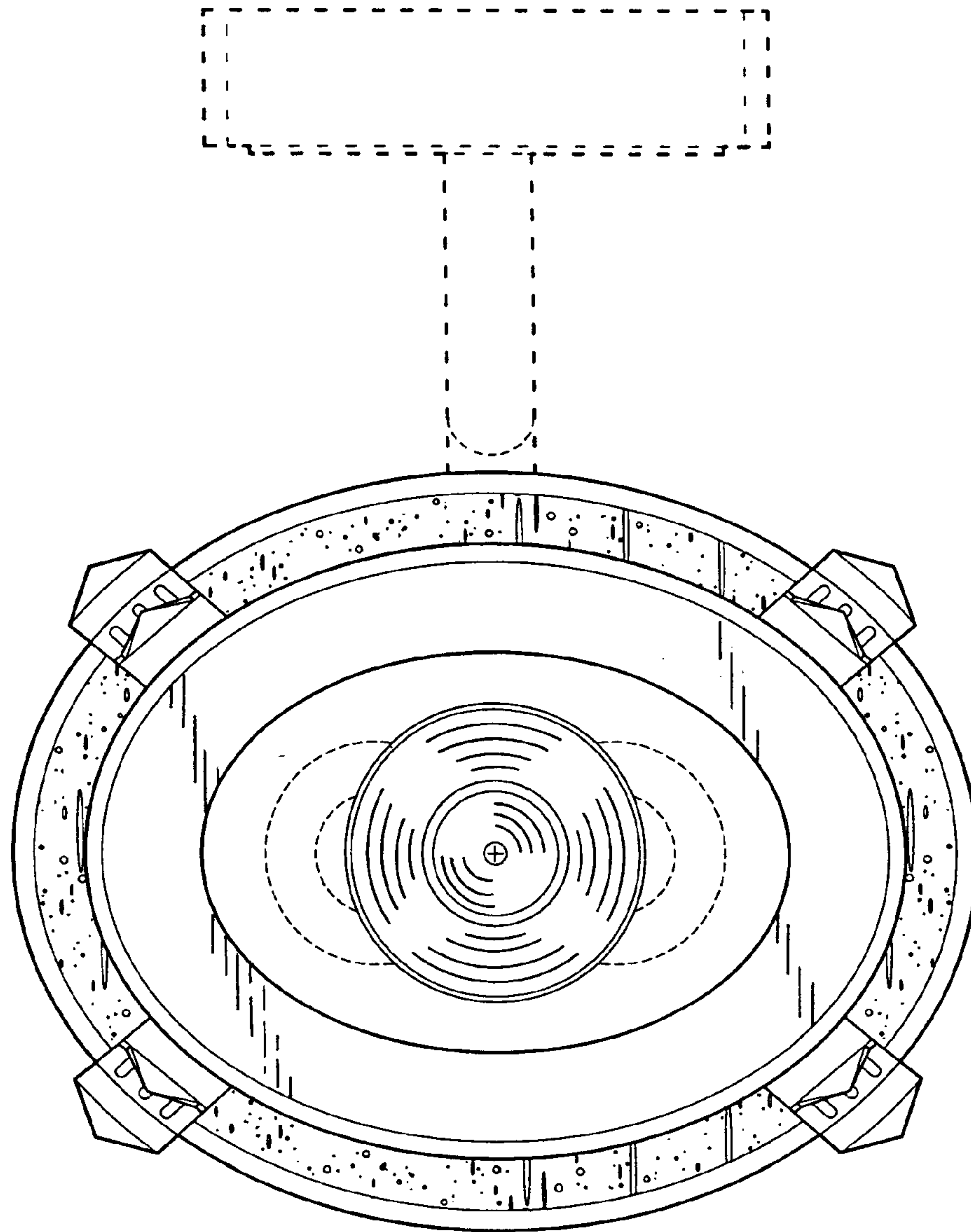


FIG. 6

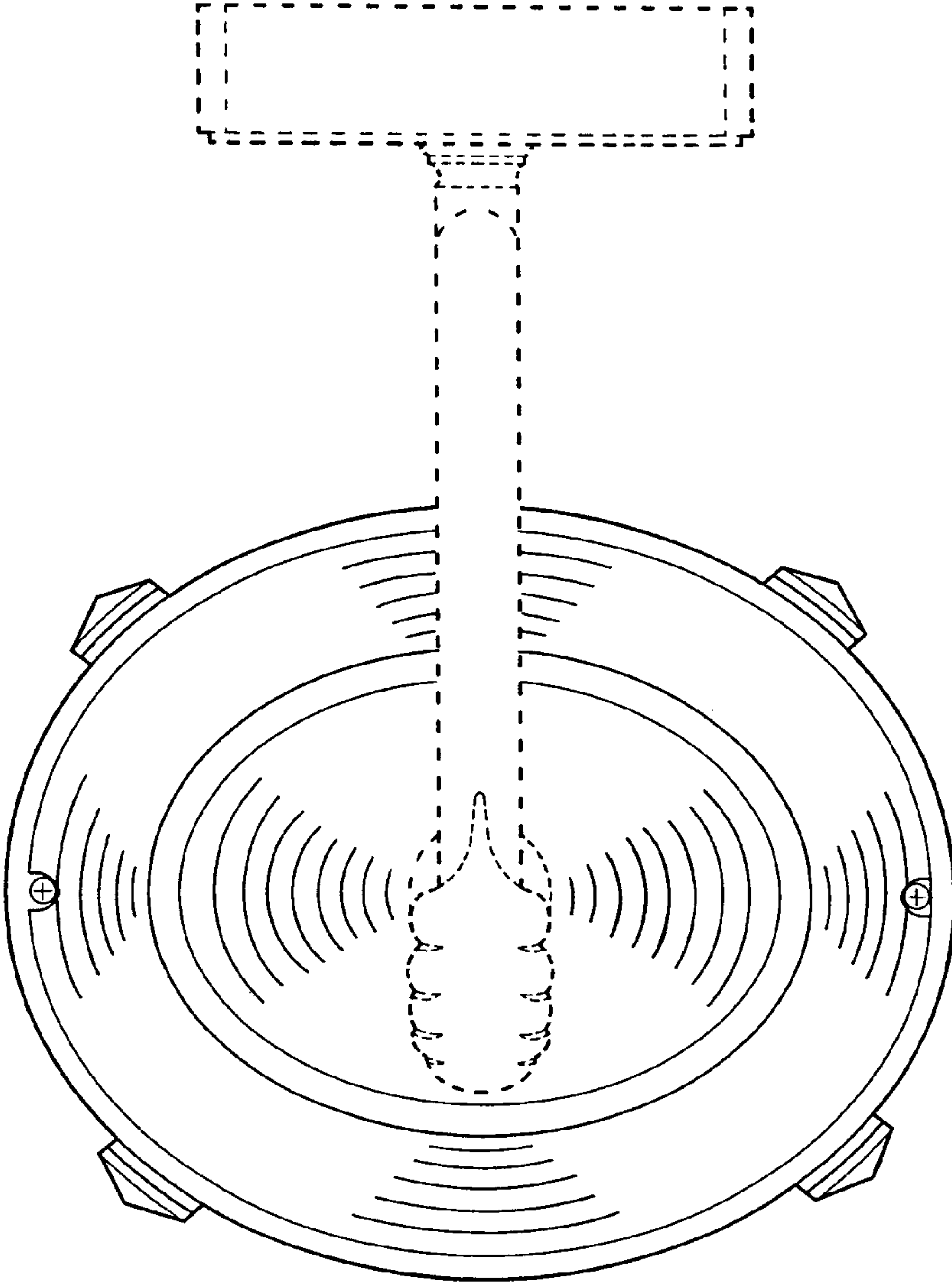


FIG. 7

UNITED STATES PATENT AND TRADEMARK OFFICE
CERTIFICATE OF CORRECTION

PATENT NO. : Des. 515,724 S
APPLICATION NO. : 29/222021
DATED : February 21, 2006
INVENTOR(S) : T.J. Tien et al.

Page 1 of 1

It is certified that error appears in the above-identified patent and that said Letters Patent is hereby corrected as shown below:

Title page,
Item [75], Inventors, insert
--John Burke, Abington, MA (US)--.

Signed and Sealed this

First Day of August, 2006

A handwritten signature in black ink on a light gray dotted background. The signature reads "Jon W. Dudas" in a cursive style.

JON W. DUDAS

Director of the United States Patent and Trademark Office