



US00D515721S

(12) **United States Design Patent**  
**Lin**

(10) **Patent No.:** **US D515,721 S**

(45) **Date of Patent:** **\*\* Feb. 21, 2006**

(54) **HAND HELD LAMP**

(76) **Inventor:** **Jesse H. Lin**, 5311 N. Tyler Ave.,  
Temple City, CA (US) 91780

(\*\*) **Term:** **14 Years**

(21) **Appl. No.:** **29/193,824**

(22) **Filed:** **Nov. 13, 2003**

(51) **LOC (8) Cl.** ..... **26-02**

(52) **U.S. Cl.** ..... **D26/44**

(58) **Field of Classification Search** ..... D26/37-50;  
362/157, 158, 171-174, 183-208  
See application file for complete search history.

(56) **References Cited**

**U.S. PATENT DOCUMENTS**

D389,931 S \* 1/1998 Kovacik et al. .... D26/37  
D483,508 S \* 12/2003 Galvez ..... D26/44

D483,893 S \* 12/2003 Galvez ..... D26/44  
D504,532 S \* 4/2005 Kovacik et al. .... D26/44

\* cited by examiner

*Primary Examiner*—Marcus A. Jackson

(74) *Attorney, Agent, or Firm*—Donald D. Mon

(57) **CLAIM**

The ornamental design for a hand held lamp, as shown and described.

**DESCRIPTION**

FIG. 1 is a front elevation view of the invention;  
FIG. 2 is a right hand side view of FIG. 1;  
FIG. 3 is a top view of FIG. 1;  
FIG. 4 is a bottom view of FIG. 1;  
FIG. 5 is a rear view of FIG. 1; and,  
FIG. 6 is a left hand side view of FIG. 1.

**1 Claim, 2 Drawing Sheets**

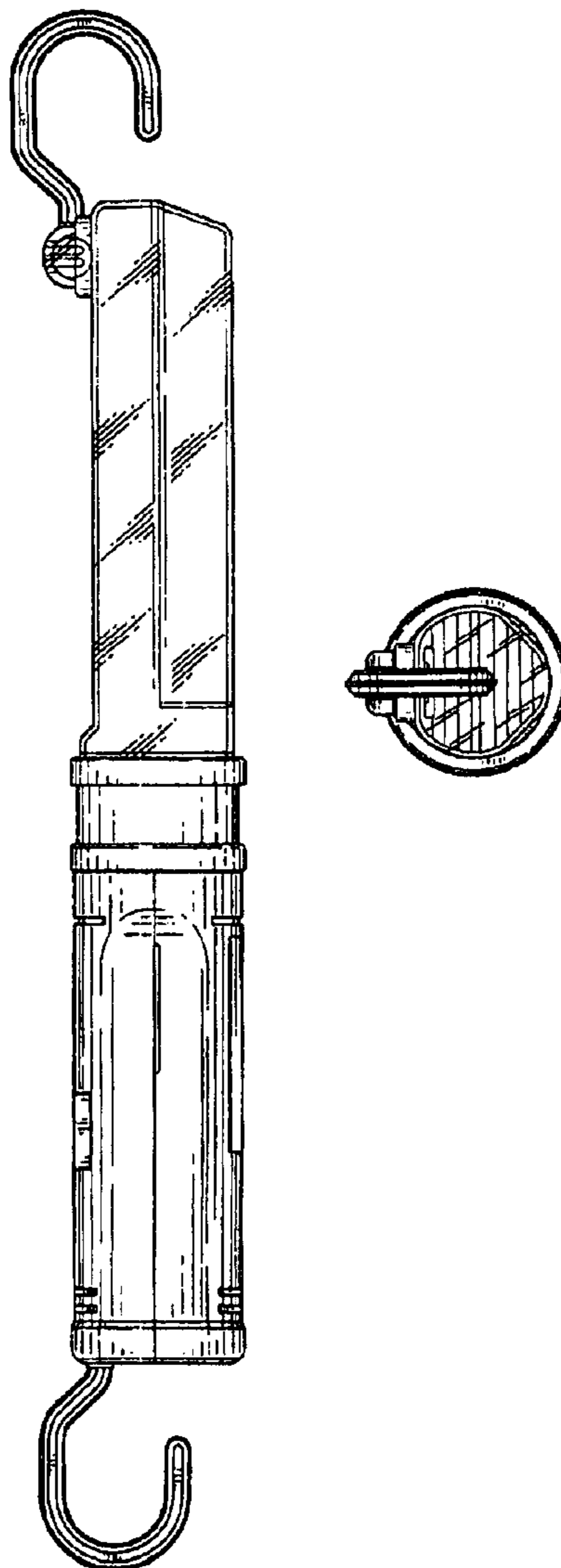


FIG. 1

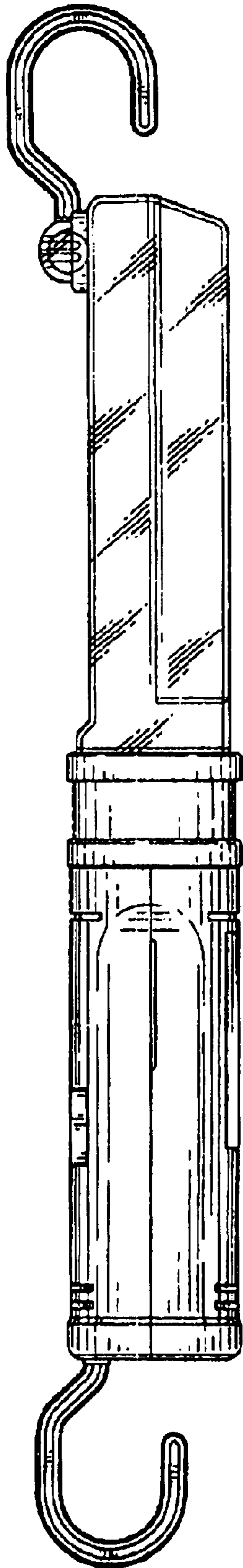


FIG. 3

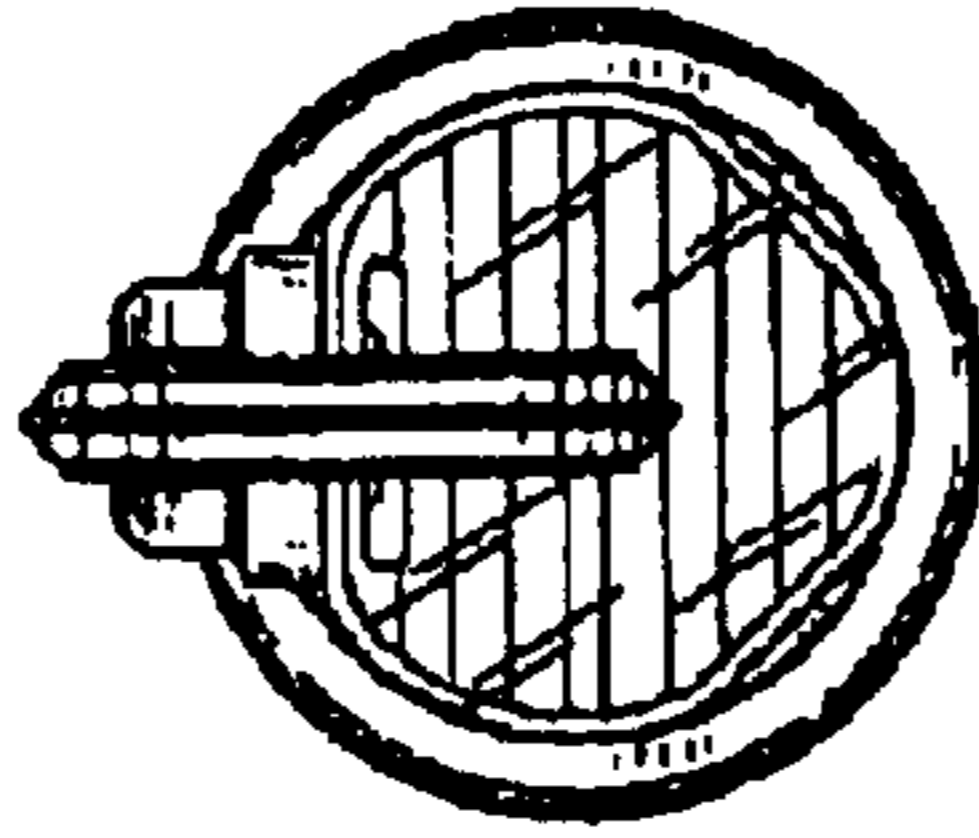


FIG. 2

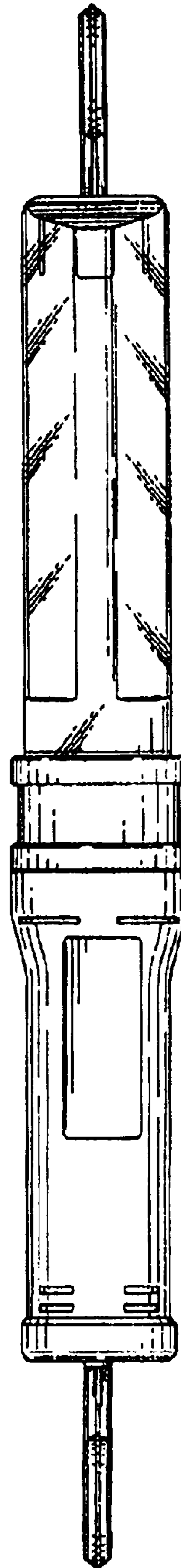


FIG. 4

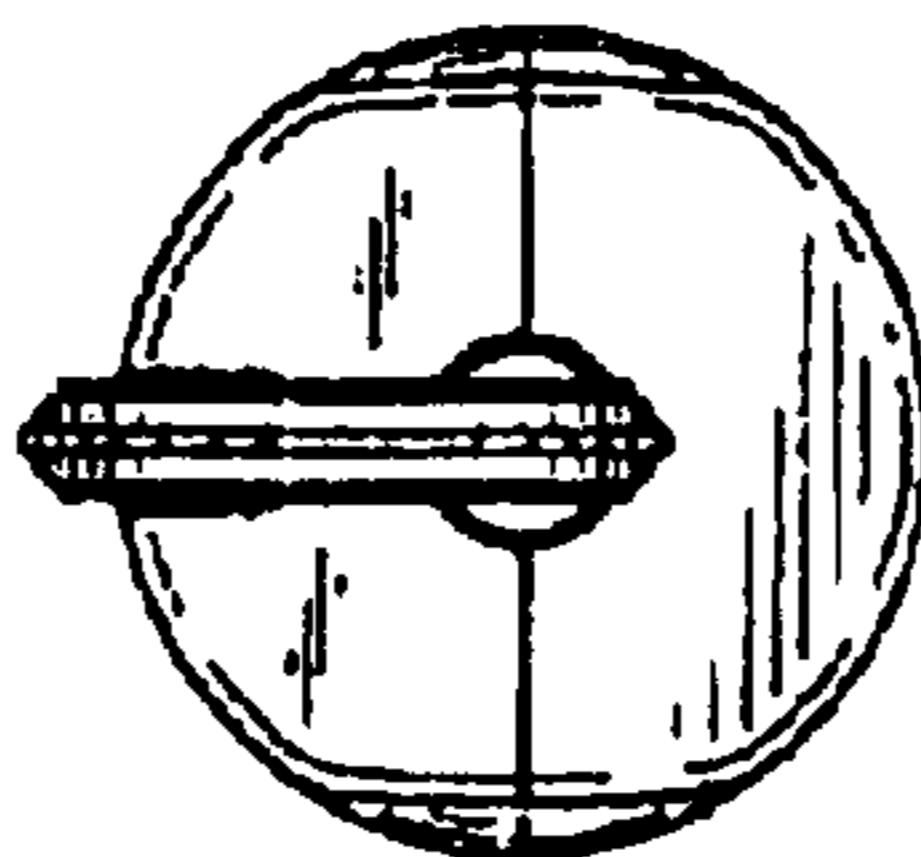


FIG. 5

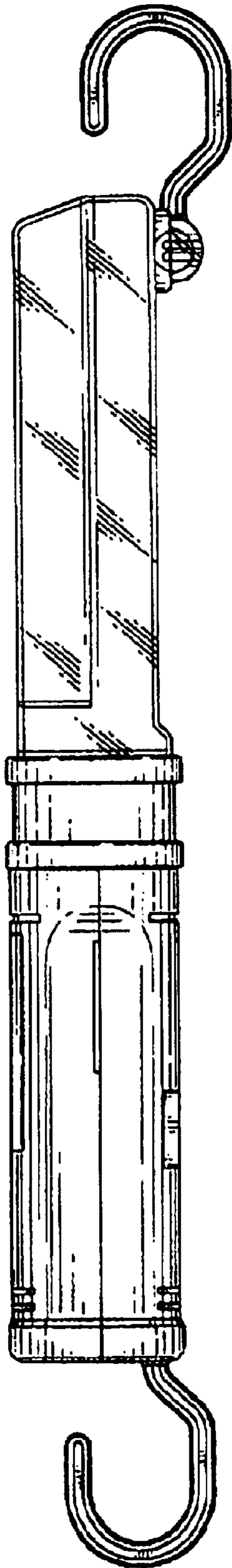


FIG. 6

