



US00D515712S

(12) **United States Design Patent** (10) **Patent No.:** **US D515,712 S**
Poliacek et al. (45) **Date of Patent:** **** Feb. 21, 2006**

(54) **RECTANGLE TILE MODULE**

(75) Inventors: **Jiri Poliacek**, Hawthorn, CA (US);
Jirina Jordan, Hawthorn, CA (US)

(73) Assignee: **Custom Dream Floor, Inc.**, Gardena,
CA (US)

(**) Term: **14 Years**

(21) Appl. No.: **29/193,020**

(22) Filed: **Oct. 30, 2003**

(51) **LOC (8) Cl.** **25-01**

(52) **U.S. Cl.** **D25/119**

(58) **Field of Classification Search** D25/138,
D25/151, 157, 161; 428/14, 33, 45; 52/314,
52/316, 384, 390, 415

See application file for complete search history.

(56) **References Cited**

U.S. PATENT DOCUMENTS

D35,195 S	*	10/1901	Barrett	D25/119
5,438,809 A		8/1995	Ehrlich	52/390
5,447,004 A		9/1995	Vrnak	52/387
RE35,380 E		11/1996	Rea et al.	52/387
5,894,700 A	*	4/1999	Sweet	52/391
6,138,423 A		10/2000	Poutanen et al.	52/384
6,260,326 B1		7/2001	Muller-Hartburg	52/601
D449,119 S	*	10/2001	Kulik	D25/138

* cited by examiner

Primary Examiner—Doris Clark

(74) *Attorney, Agent, or Firm*—Cislo & Thomas LLP

(57) **CLAIM**

We claim the ornamental design for a rectangle tile module,
as shown and described herein.

DESCRIPTION

FIG. 1. Is a front perspective view of our rectangle tile
module with the broken center being shown to illustrate
various widths and lengths that the module may take;

FIG. 2. Is a top plan view thereof with the broken center
being shown to illustrate various widths and lengths that the
module may take;

FIG. 3. Is a front elevational view thereof with the broken
center being shown to illustrate various widths and lengths
that the module may take;

FIG. 4. Is a left side elevational view thereof with the right
side elevational view being a mirror image and with the
broken center being shown to illustrate various widths that
the module may take;

FIG. 5. Is a front perspective view of a second embodiment
of our rectangular tile module with the broken center being
shown to illustrate various widths and lengths that the
module may take;

FIG. 6. Is a top plan view of the FIG. 5 embodiment with the
broken center being shown to illustrate various widths and
lengths that the module may take;

FIG. 7. Is a front elevational view of the FIG. 5 embodiment
with the broken center being shown to illustrate various
widths and lengths that the module may take;

FIG. 8. Is a left side elevational view of the FIG. 5
embodiment with the right side being a mirror image thereof
and with the broken center being shown to illustrate various
widths that the module may take;

FIG. 9. Is a top perspective view of a third embodiment of
our rectangle tile module;

FIG. 10. Is a top plan view of the FIG. 9 embodiment;

FIG. 11. Is a right side elevational view of the FIG. 9
embodiment with the left side elevational view being a
mirror image thereof;

FIG. 12. Is a front view of the FIG. 9 embodiment with the
rear view being a mirror image thereof;

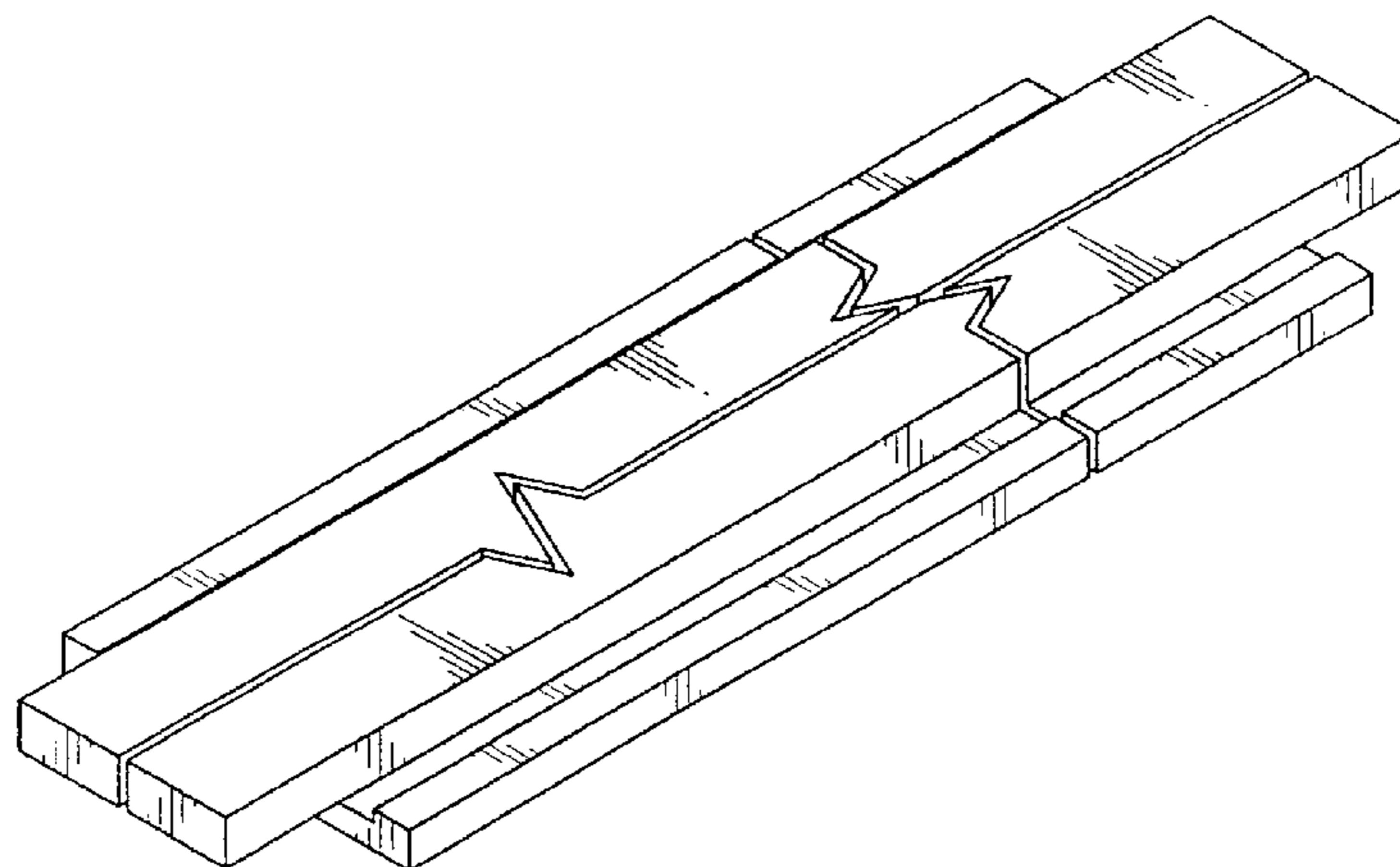
FIG. 13. Is a top perspective view of a fourth embodiment
of our rectangle tile module;

FIG. 14. Is a top plan view of the FIG. 13 embodiment;

FIG. 15. Is a right side elevational view of the FIG. 13
embodiment with the left side elevational view being a
mirror image thereof; and,

FIG. 16. Is a front elevational view of the FIG. 13 embodi-
ment with the rear elevational view being a mirror image
thereof.

1 Claim, 8 Drawing Sheets



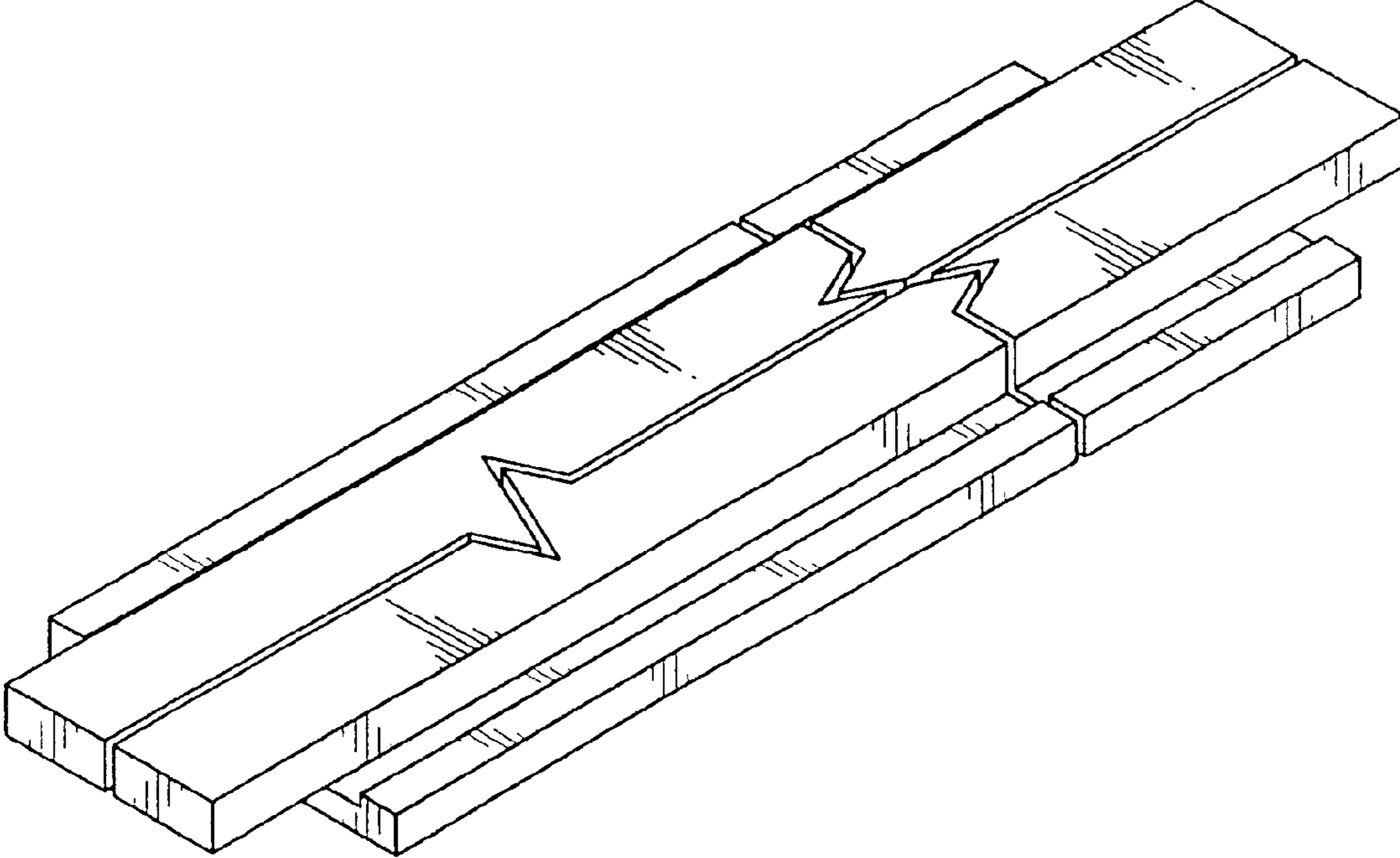


FIG. 1

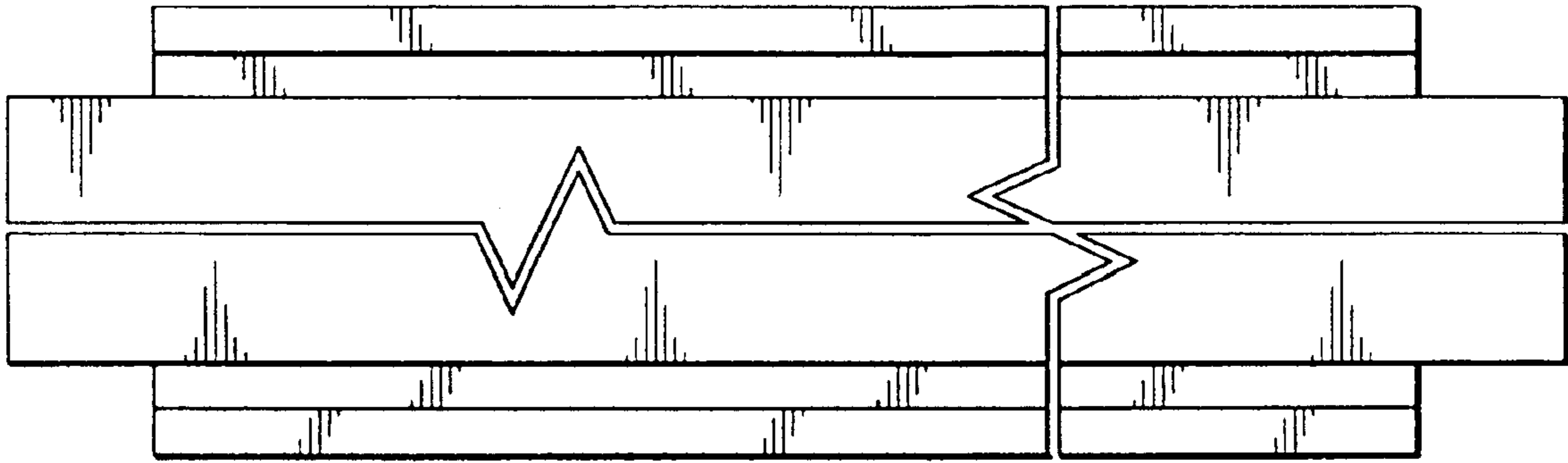


FIG. 2

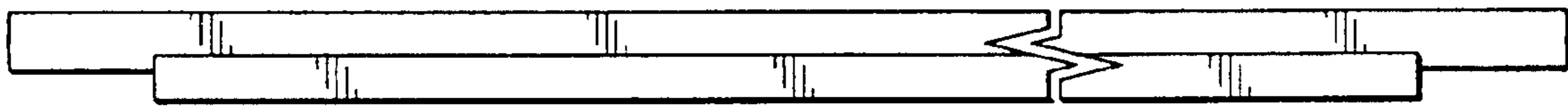


FIG. 3



FIG. 4

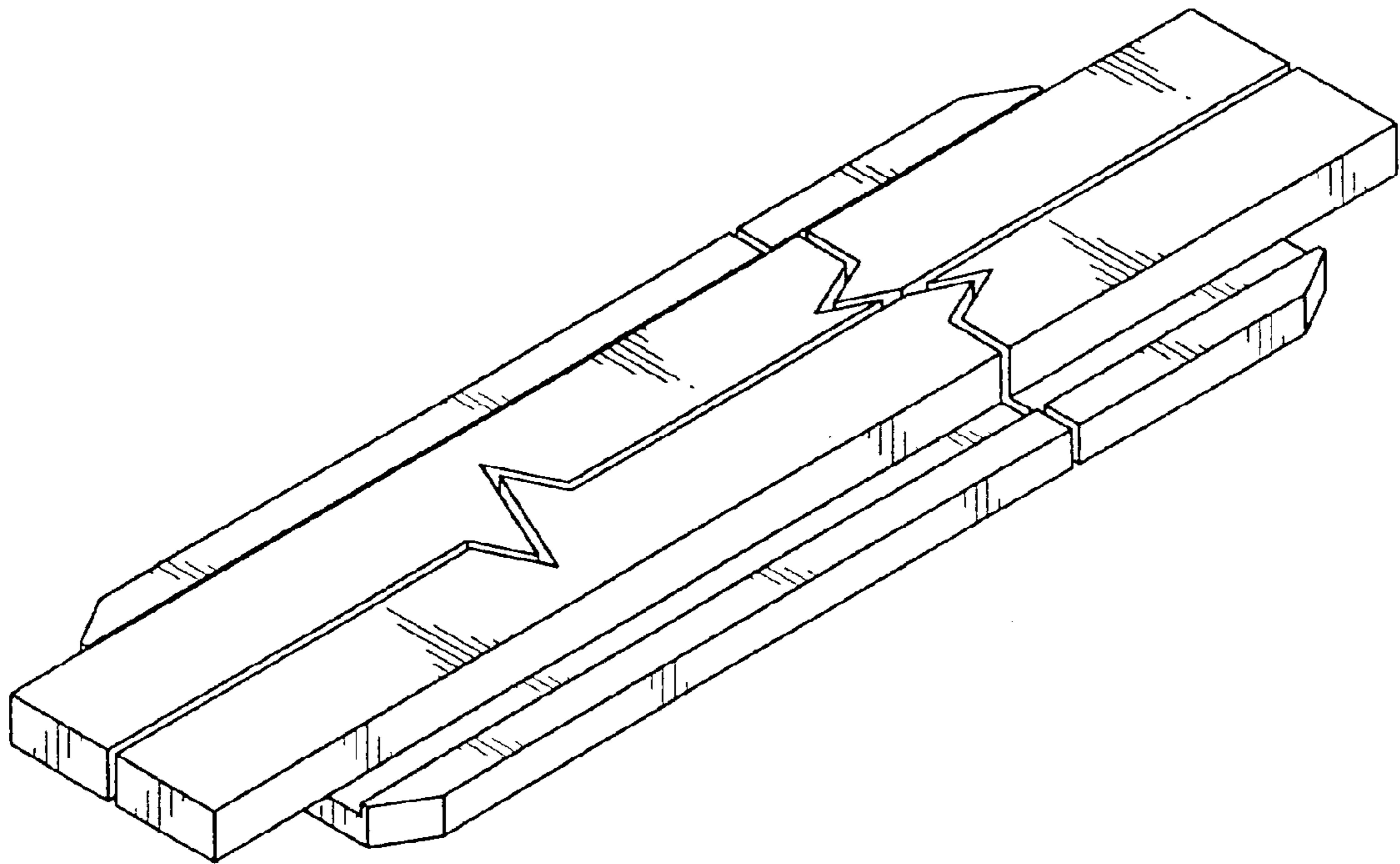


FIG. 5

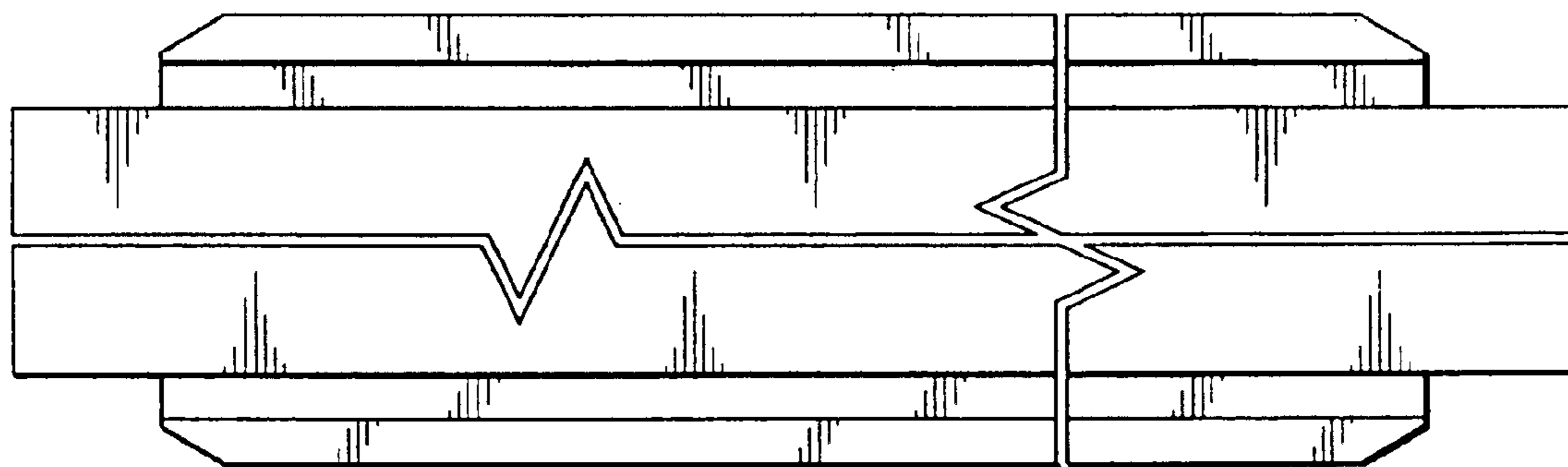


FIG. 6



FIG. 7



FIG. 8

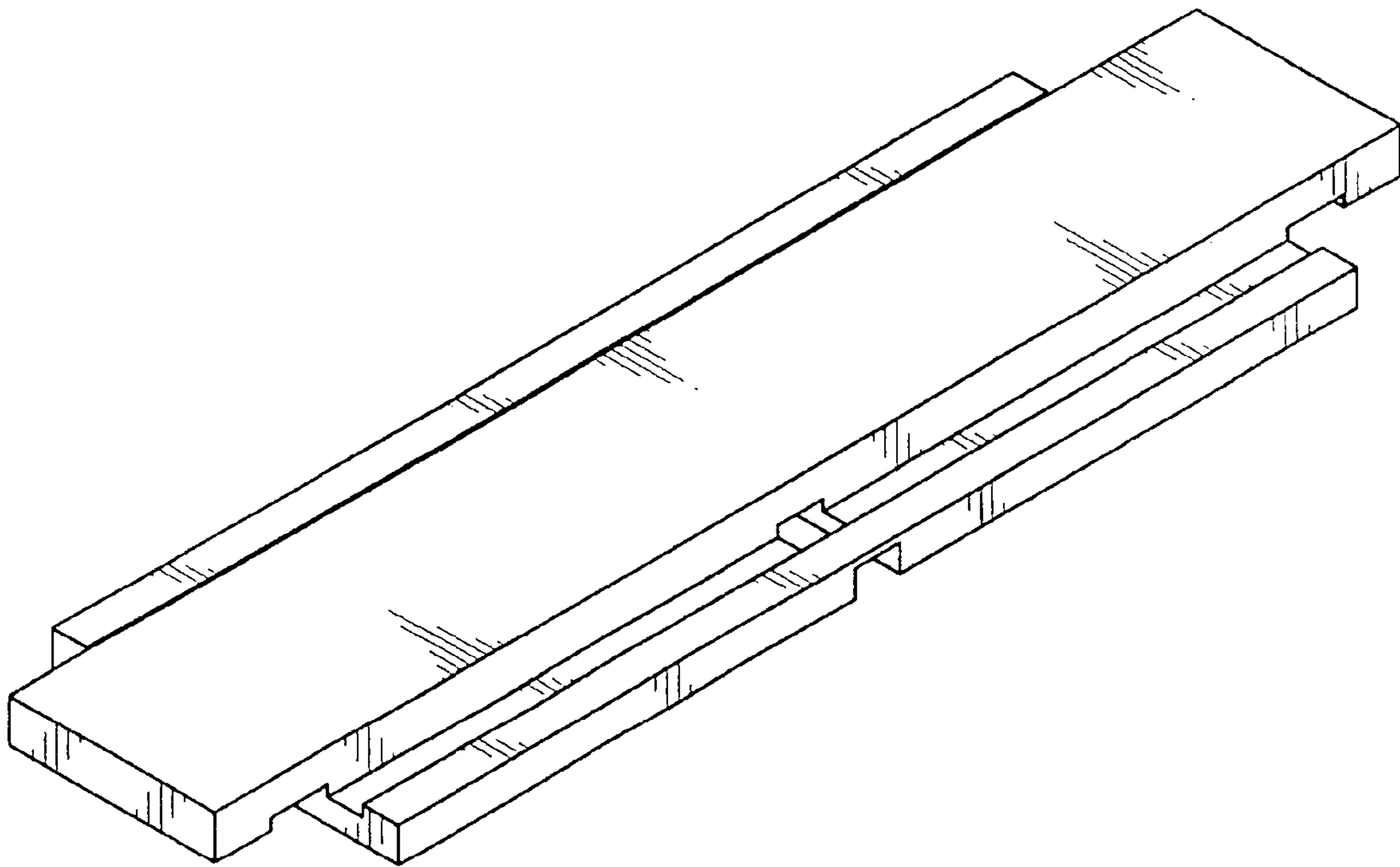


FIG. 9

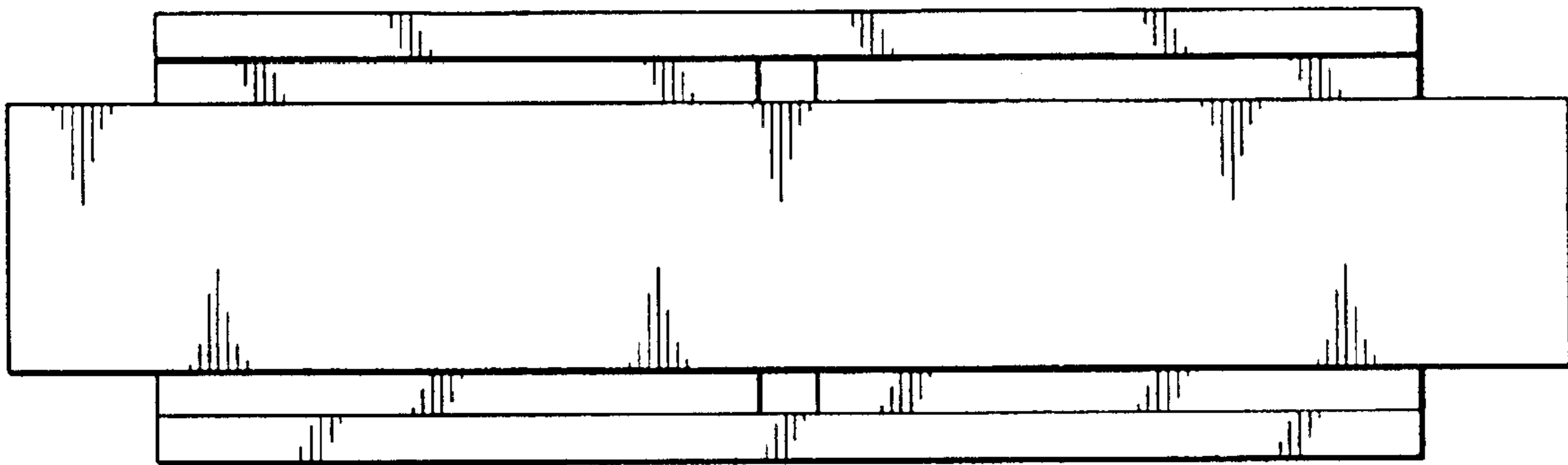


FIG. 10



FIG. 11



FIG. 12

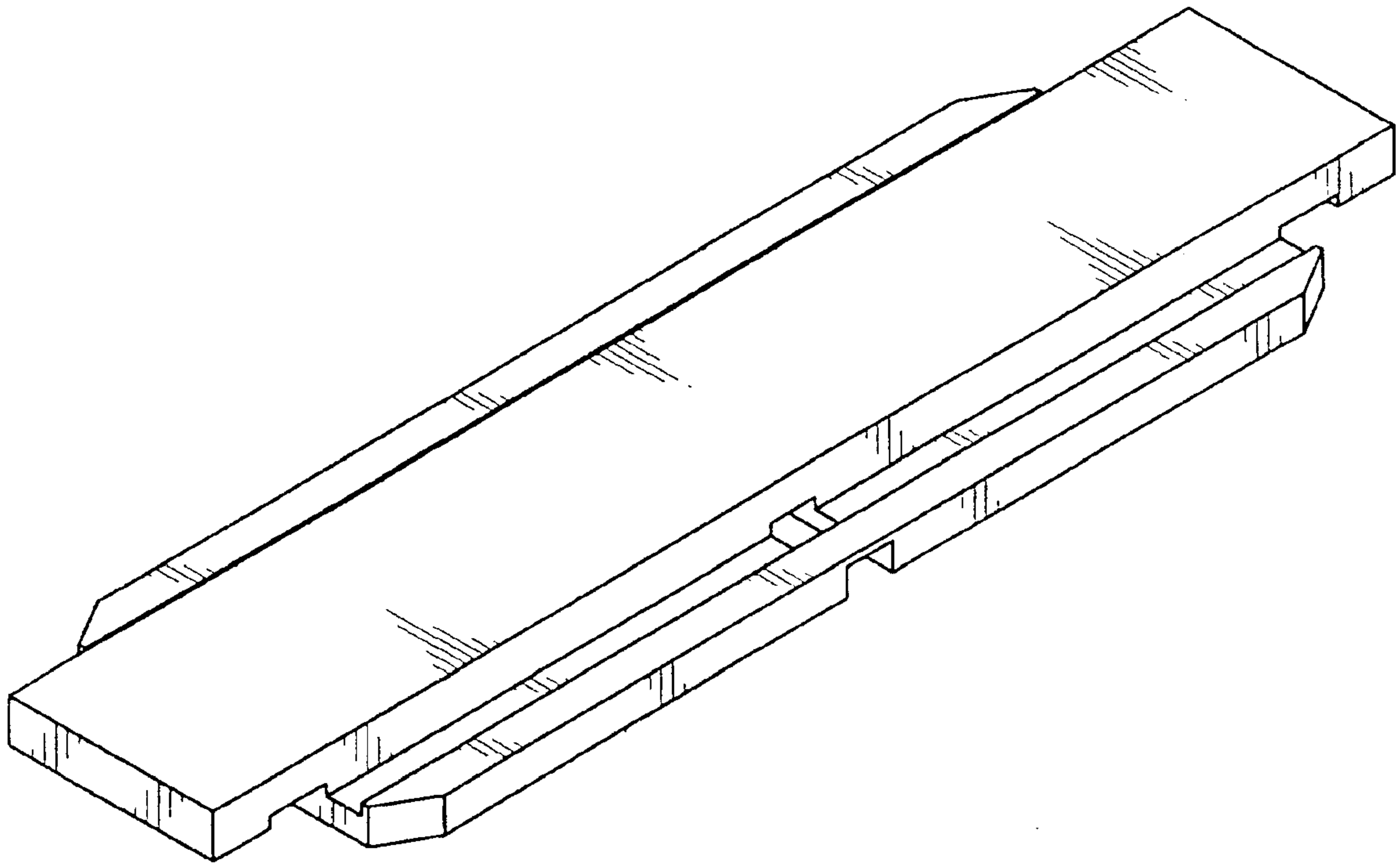


FIG. 13

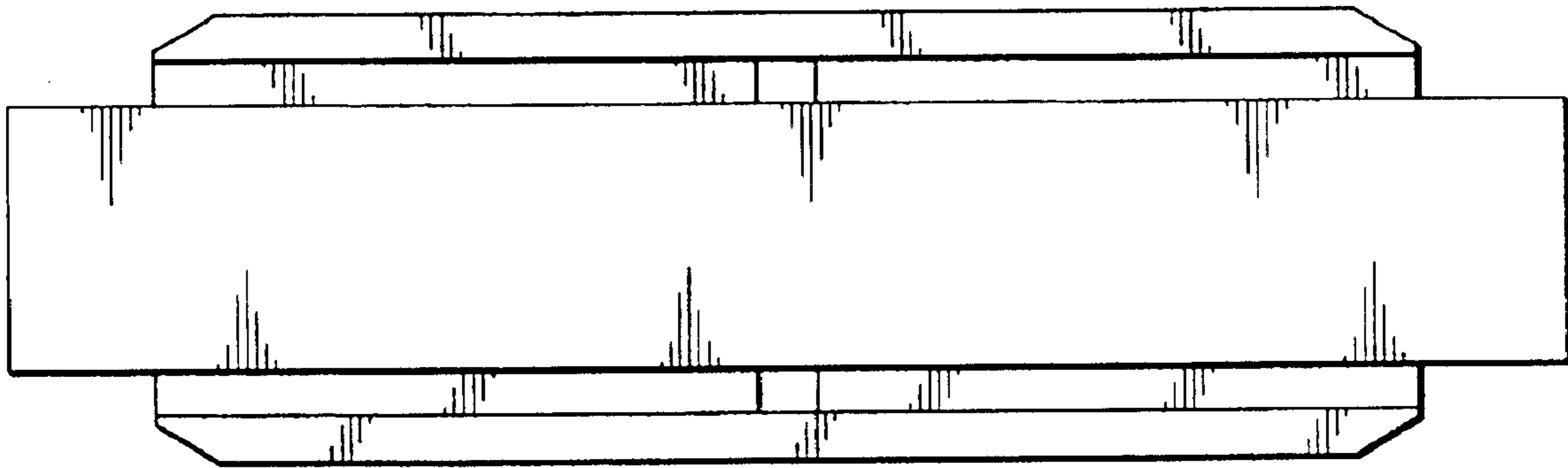


FIG. 14

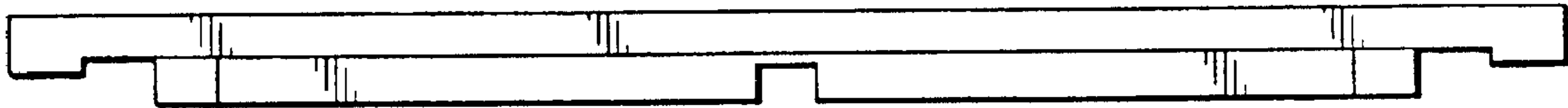


FIG. 15



FIG. 16