



US00D515708S

(12) **United States Design Patent**
Sigmund

(10) **Patent No.:** **US D515,708 S**

(45) **Date of Patent:** **** Feb. 21, 2006**

(54) **VENT FOR A SOFFIT PANEL WITH SHORT TOP HOLES**

5,809,731 A 9/1998 Reiss
5,881,502 A 3/1999 Tamlyn

(75) Inventor: **John L. Sigmund**, Holland, OH (US)

(Continued)

(73) Assignee: **CertainTeed Corporation**, Valley Forge, PA (US)

OTHER PUBLICATIONS

(**) Term: **14 Years**

Aside "Charter Oak" soffit sample and description, web page, 1997.

Crane Plastics "Premium Point" soffit sample and description, web page, 2002.

Heartland "Woodhaven" soffit sample and description, web page, Jul. 2002.

Louisiana Pacific "I-Span" soffit sample and description, web page, 2000.

(21) Appl. No.: **29/215,314**

(22) Filed: **Oct. 18, 2004**

(51) **LOC (8) Cl.** **25-02**

(52) **U.S. Cl.** **D25/55**

(58) **Field of Classification Search** 52/95,
52/56, 198, 199; D23/393; D25/55, 199;
454/260

Primary Examiner—Doris Clark

(74) *Attorney, Agent, or Firm*—Duane Morris LLP

See application file for complete search history.

(57) **CLAIM**

The ornamental design for a vent for a soffit panel with short top holes, as shown and described.

(56) **References Cited**

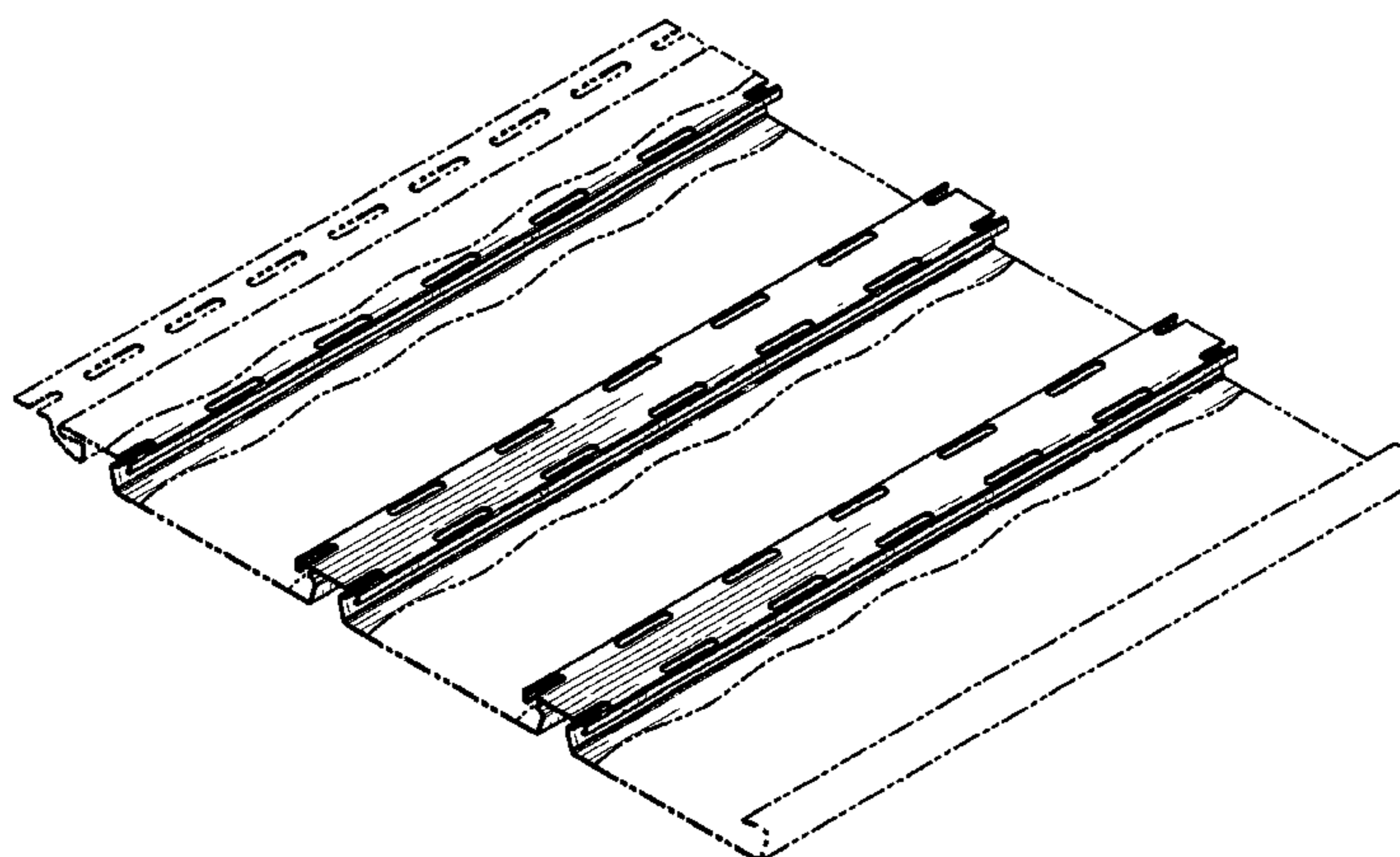
DESCRIPTION

U.S. PATENT DOCUMENTS

3,159,943 A	12/1964	Sugar et al.	
3,174,421 A *	3/1965	Gray	454/260
3,246,436 A	4/1966	Roush	
3,289,380 A	12/1966	Charniga, Jr.	
3,417,519 A	12/1968	Hitter	
4,102,106 A	7/1978	Golder et al.	
4,188,762 A	2/1980	Tellman	
D268,703 S *	4/1983	Lloyd-Jones	D25/55
4,607,753 A	8/1986	Radek	
4,665,675 A	5/1987	Kelly	
4,870,798 A	10/1989	Richter	
4,930,287 A	6/1990	Volk et al.	
5,016,415 A	5/1991	Kellis	
5,022,207 A	6/1991	Hartnett	
5,167,104 A	12/1992	Alvarado	
5,195,283 A	3/1993	MacLeod et al.	
5,243,793 A	9/1993	MacLeod et al.	
5,292,281 A *	3/1994	Butler	454/260
5,303,525 A	4/1994	Magee	
5,506,126 A	4/1996	Seed et al.	
5,718,086 A	2/1998	Dunn	
5,791,985 A	8/1998	Schiedegger et al.	
5,799,446 A	9/1998	Tamlyn	

FIG. 1 is an isometric view of a vent for a soffit panel with short top holes according to an exemplary embodiment; FIG. 2 is a top plan view of the vent for a soffit panel with short top holes shown in FIG. 1; FIG. 3 is a bottom plan view of the vent for a soffit panel with short top holes shown in FIG. 1; FIG. 4 is a bottom-end elevation view of the vent for a soffit panel with short top holes shown in FIG. 2; FIG. 5 is a top-end elevation view of the vent for a soffit panel with short top holes shown in FIG. 2; FIG. 6 is a left-side elevation view of the vent for a soffit panel with short top holes shown in FIG. 2; FIG. 7 is an enlarged detail of FIG. 6; and, FIG. 8 is a right-side elevation view of the vent for a soffit panel with short top holes shown in FIG. 2. Broken lines in the drawings indicate environmental structure of the vent for a soffit panel with short top holes that form no part of the claimed design.

1 Claim, 3 Drawing Sheets



US D515,708 S

Page 2

U.S. PATENT DOCUMENTS

5,937,592 A	8/1999	Tamlyn	6,145,255 A	11/2000	Allaster
5,946,876 A	9/1999	Grace, Sr. et al.	6,164,467 A	12/2000	DePottey et al.
5,947,816 A	9/1999	Schiedegger et al.	6,185,899 B1	2/2001	De Niet
5,950,375 A	9/1999	Zaccagni	6,223,488 B1	5/2001	Pelfrey et al.
5,956,914 A	9/1999	Williamson	6,354,045 B1	3/2002	Boone et al.
D418,610 S *	1/2000	Dyer et al. D25/55	6,415,559 B1	7/2002	Reeves et al.
6,026,616 A	2/2000	Gibson	6,474,032 B1	11/2002	Wynn
6,134,855 A	10/2000	Beck			

* cited by examiner

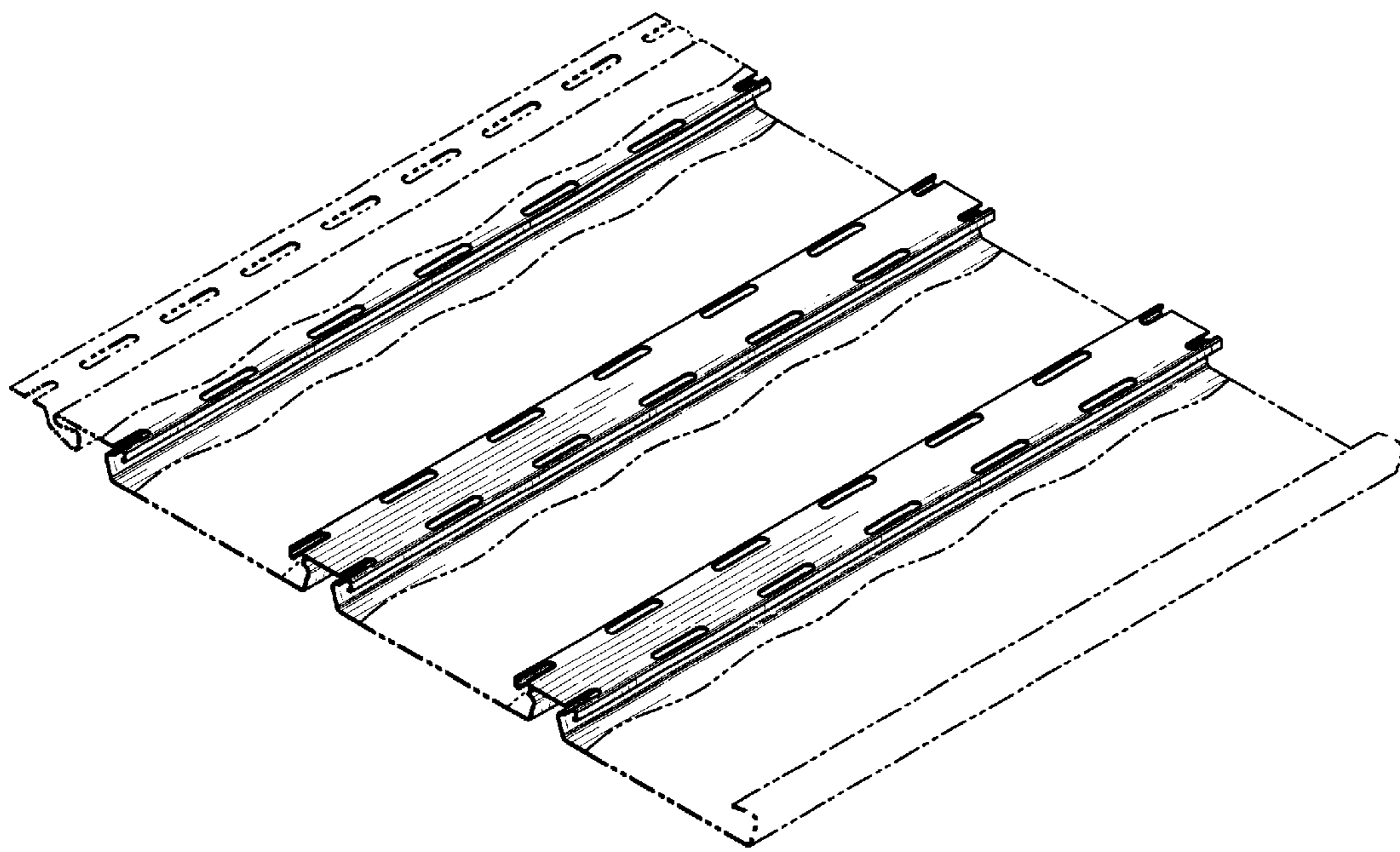


FIG. 1

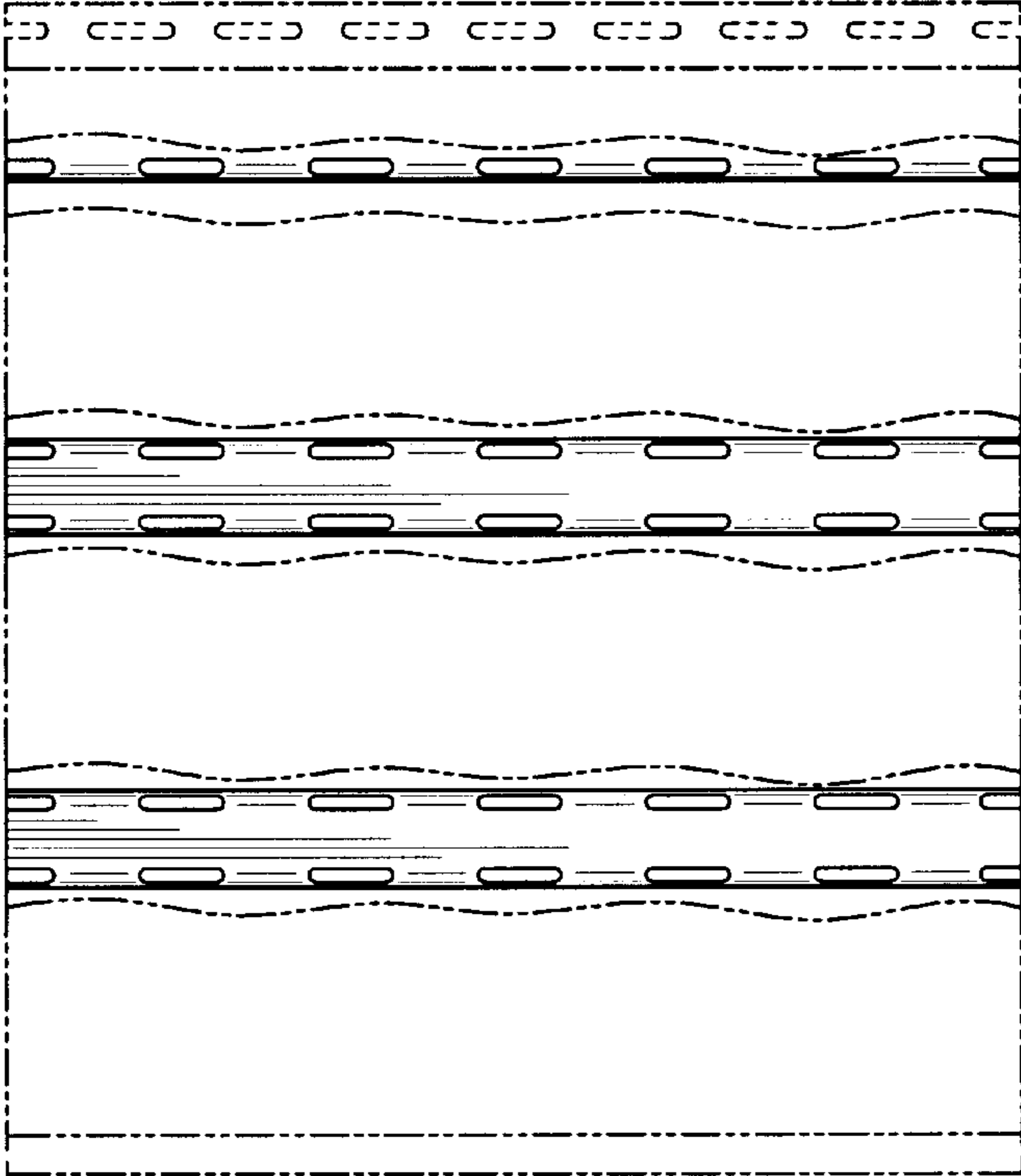


FIG. 2

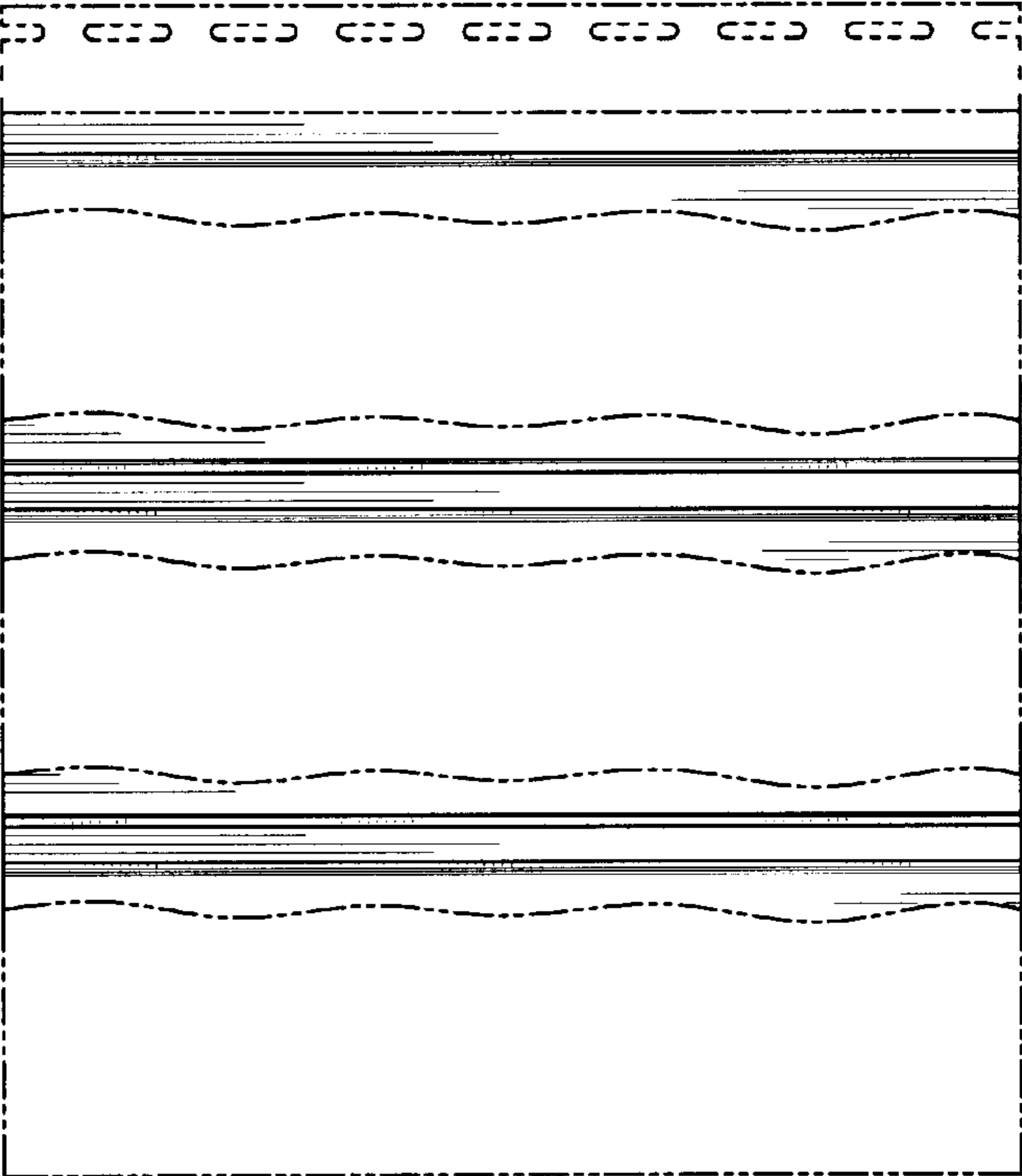


FIG. 3

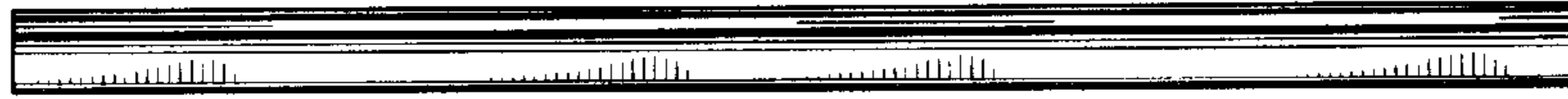


FIG. 4



FIG. 5



FIG. 6

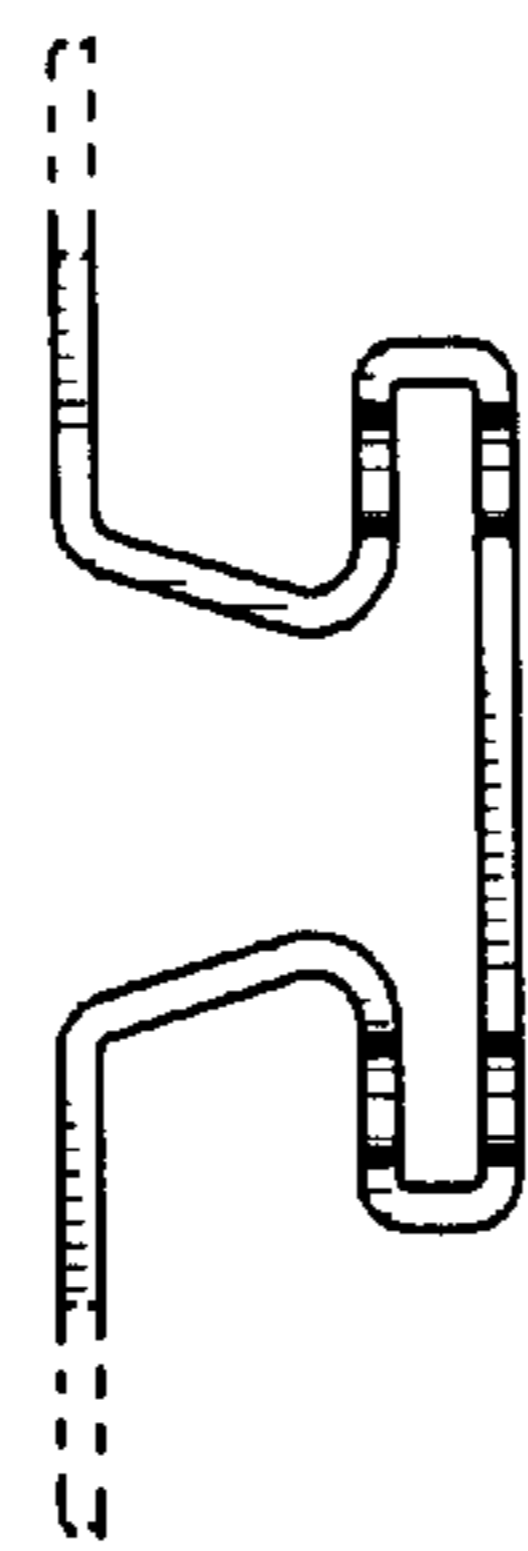


FIG. 7



FIG. 8