



US00D515700S

(12) **United States Design Patent**
Eda et al.

(10) **Patent No.:** **US D515,700 S**
(45) **Date of Patent:** **** Feb. 21, 2006**

(54) **BLOOD PRESSURE MEASURING APPARATUS**

D473,945 S * 4/2003 Nakanishi et al. D24/165
6,547,741 B2 * 4/2003 Mori et al. 600/500

(75) Inventors: **Kenji Eda**, Osaka (JP); **Hiroya Nakanishi**, Kyoto (JP); **Hiroshi Kishimoto**, Kyoto (JP); **Shingo Yamashita**, Kyoto (JP); **So Noguchi**, Osaka (JP); **Hidekazu Yagi**, Osaka (JP); **Masashi Fukura**, Kyoto (JP); **Tetsuya Nakada**, Osaka (JP)

* cited by examiner

Primary Examiner—Ian Simmons
Assistant Examiner—Daniel Yu
(74) *Attorney, Agent, or Firm*—Dickstein Shapiro Morin & Oshinsky LLP

(73) Assignee: **Omron Healthcare Co., Ltd.**, Kyoto (JP)

(57) **CLAIM**

The ornamental design for a blood pressure measuring apparatus, as shown and described.

(**) Term: **14 Years**

DESCRIPTION

(21) Appl. No.: **29/196,414**

FIG. 1 is a front view illustrating our new design for a blood pressure measuring apparatus;
FIG. 2 is a rear view of the blood pressure measuring apparatus of FIG. 1;
FIG. 3 is a top view of the blood pressure measuring apparatus of FIG. 1;
FIG. 4 is a bottom view of the blood pressure measuring apparatus of FIG. 1;
FIG. 5 is a right side view of the blood pressure measuring apparatus of FIG. 1;
FIG. 6 is a left side view of the blood pressure measuring apparatus of FIG. 1;
FIG. 7 is an enlarged perspective view of the blood pressure measuring apparatus of FIG. 1; and,
FIG. 8 is an enlarged partial view of the blood pressure measuring apparatus of FIG. 1 delineated by line 8—8 in FIG. 1.

(22) Filed: **Dec. 30, 2003**

(30) **Foreign Application Priority Data**

Jul. 9, 2003 (JP) 2003-019742

(51) **LOC (8) Cl.** **24-02**

(52) **U.S. Cl.** **D24/165**

(58) **Field of Classification Search** D24/165,
D24/167, 169, 186, 188; 600/500, 485, 481,
600/480, 479

See application file for complete search history.

The broken lines illustrating a cuff in connection with the blood pressure measuring apparatus are for illustrative purposes only and form no part of the claimed design.

(56) **References Cited**

U.S. PATENT DOCUMENTS

D356,377 S * 3/1995 Tsubota et al. D24/165
D403,070 S * 12/1998 Maeda et al. D24/165
D426,637 S * 6/2000 Ochi et al. D24/165
6,152,880 A * 11/2000 Okada 600/485
D443,362 S * 6/2001 Storp D24/165

1 Claim, 7 Drawing Sheets

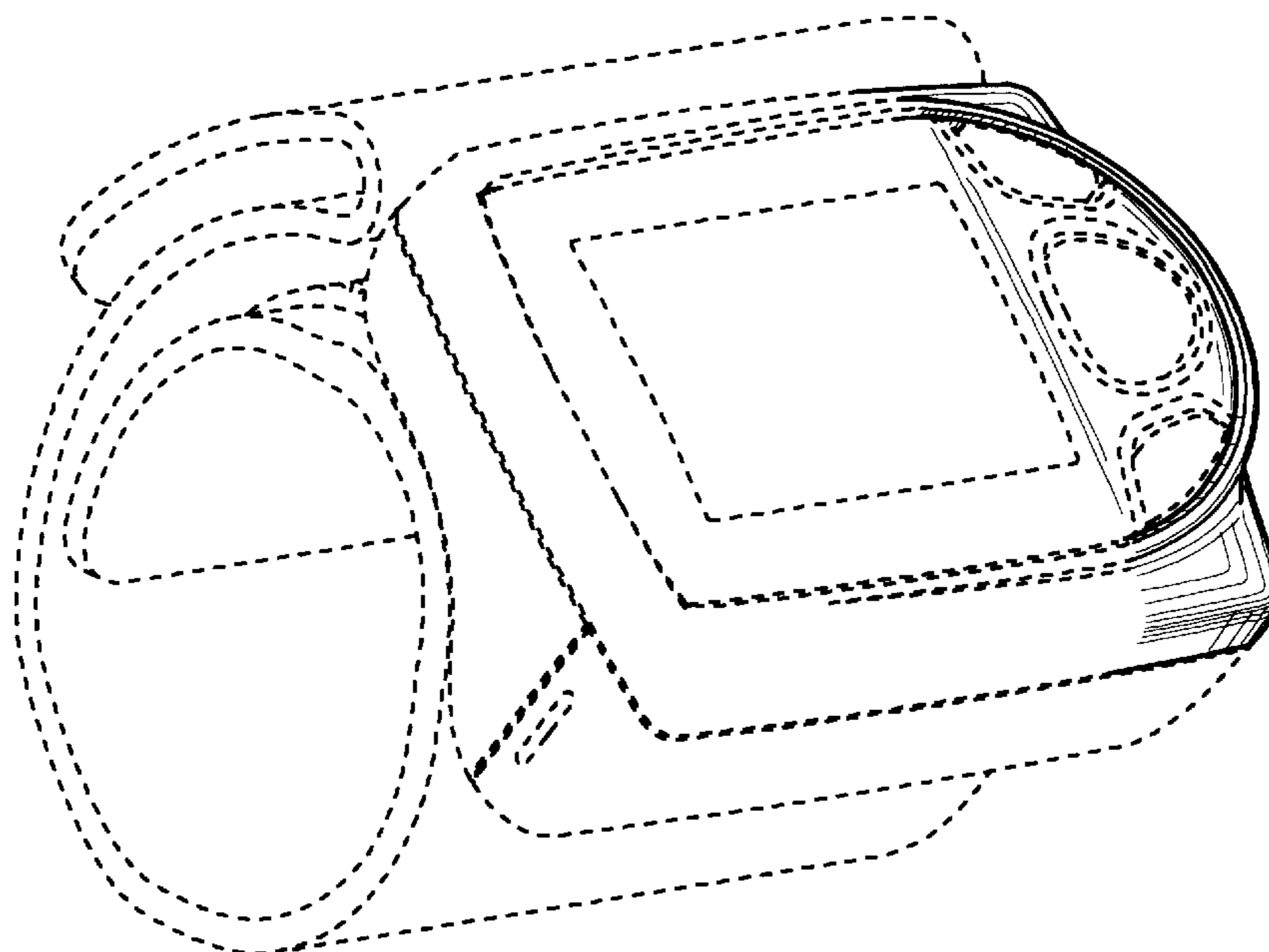
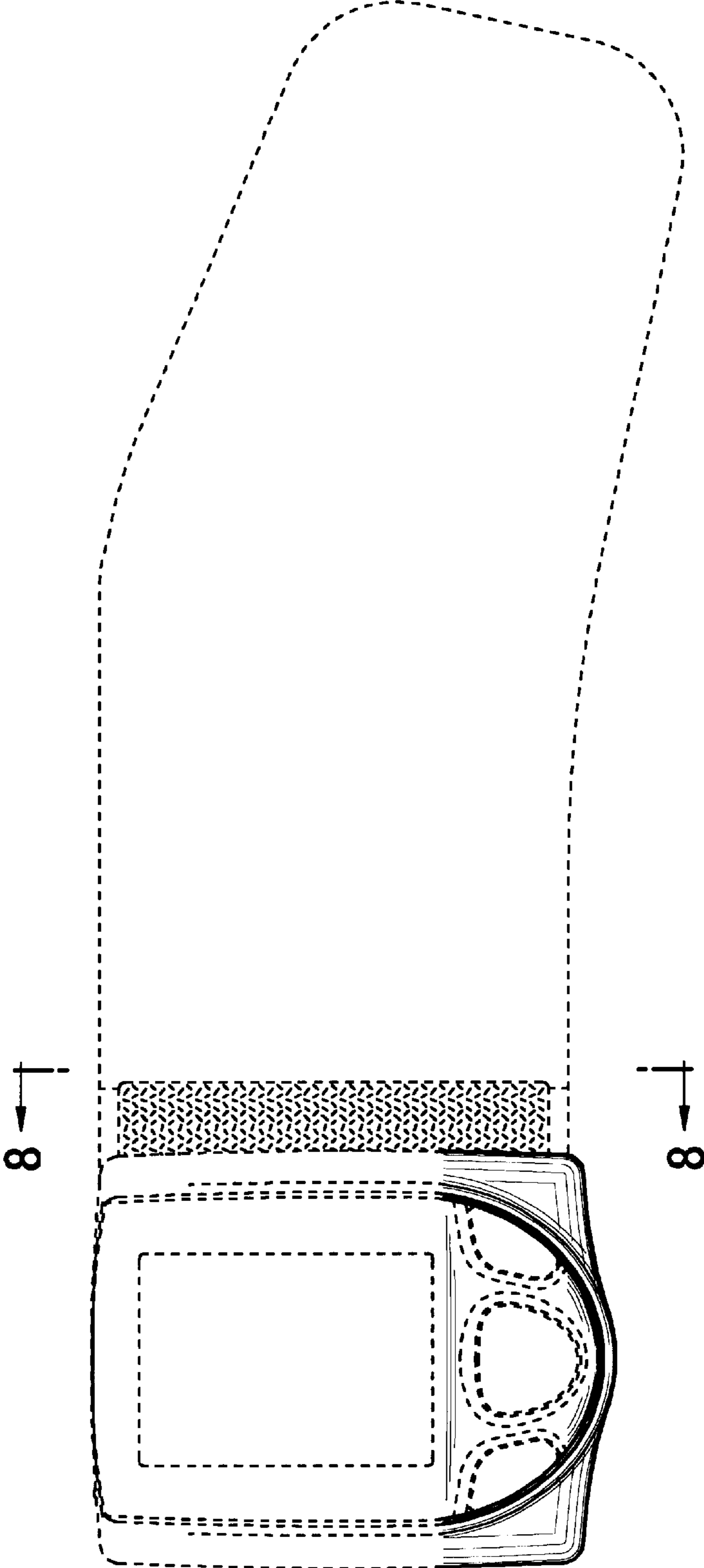


Fig. 1



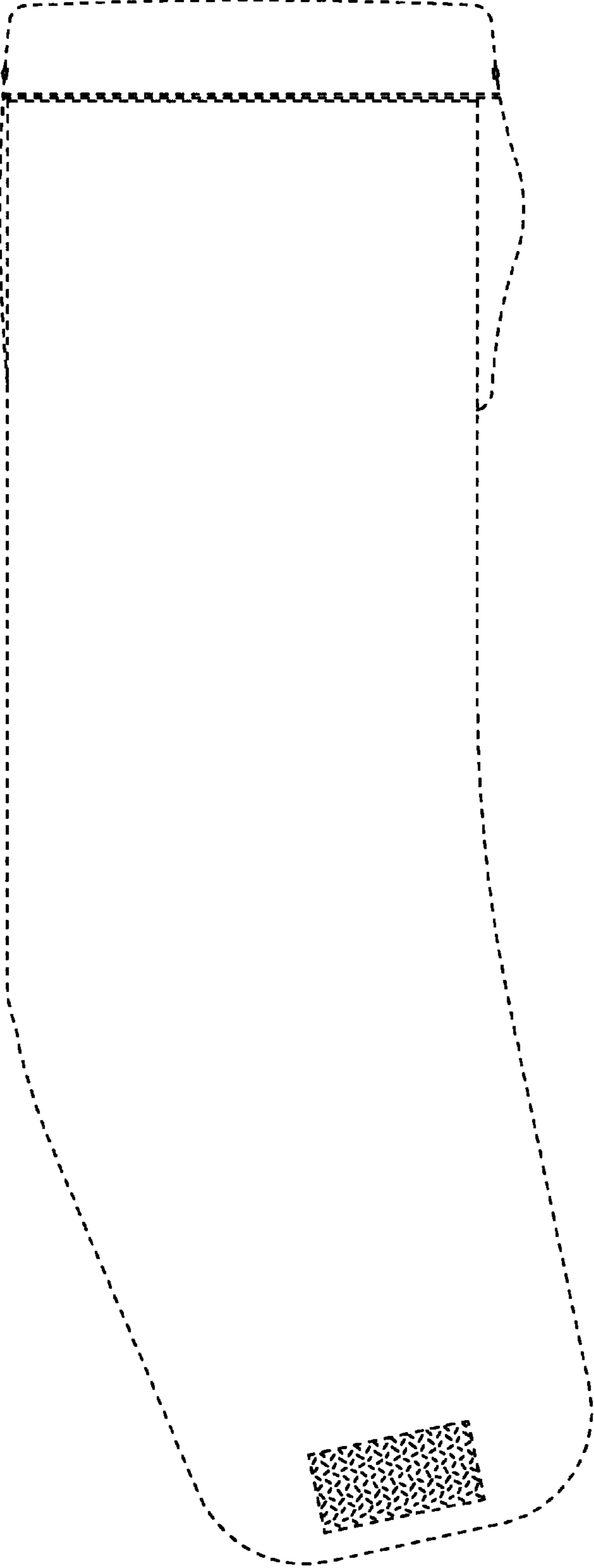


Fig. 2

Fig. 3

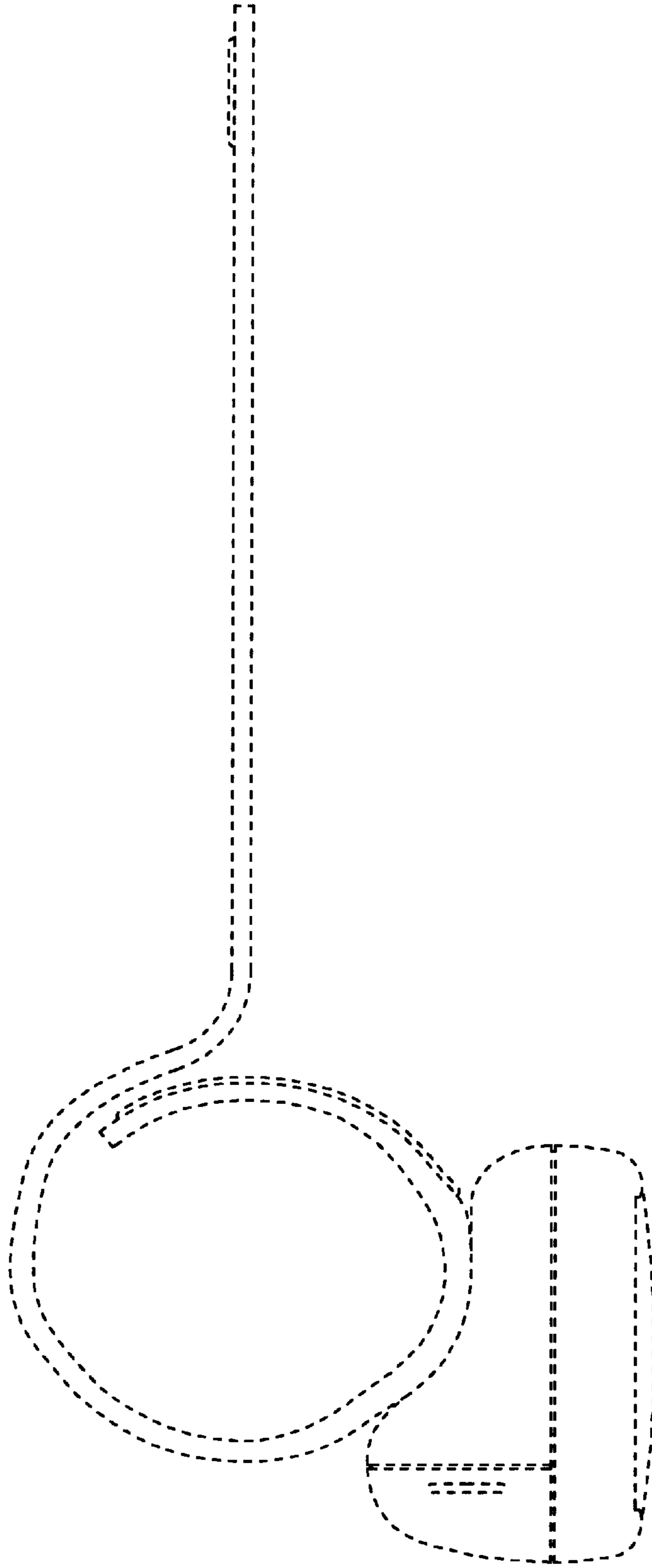


Fig. 4

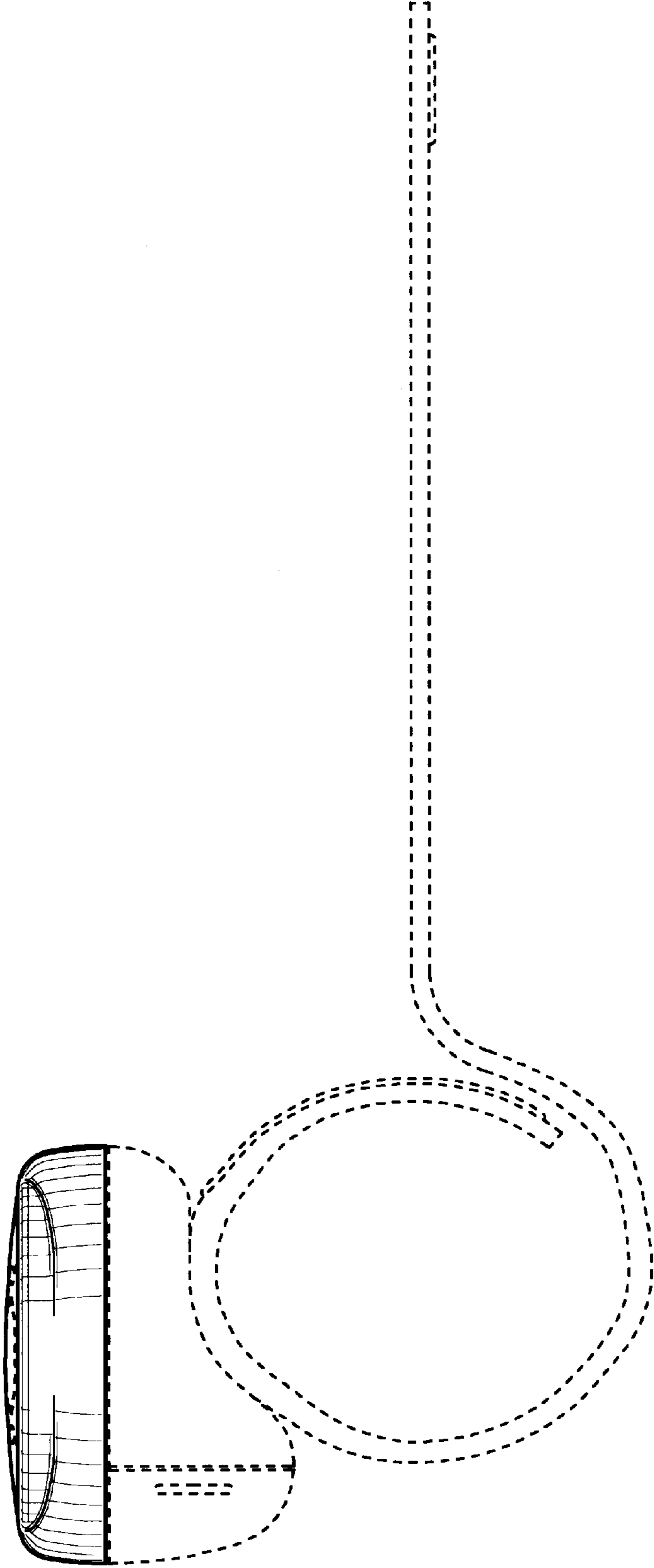


Fig. 6

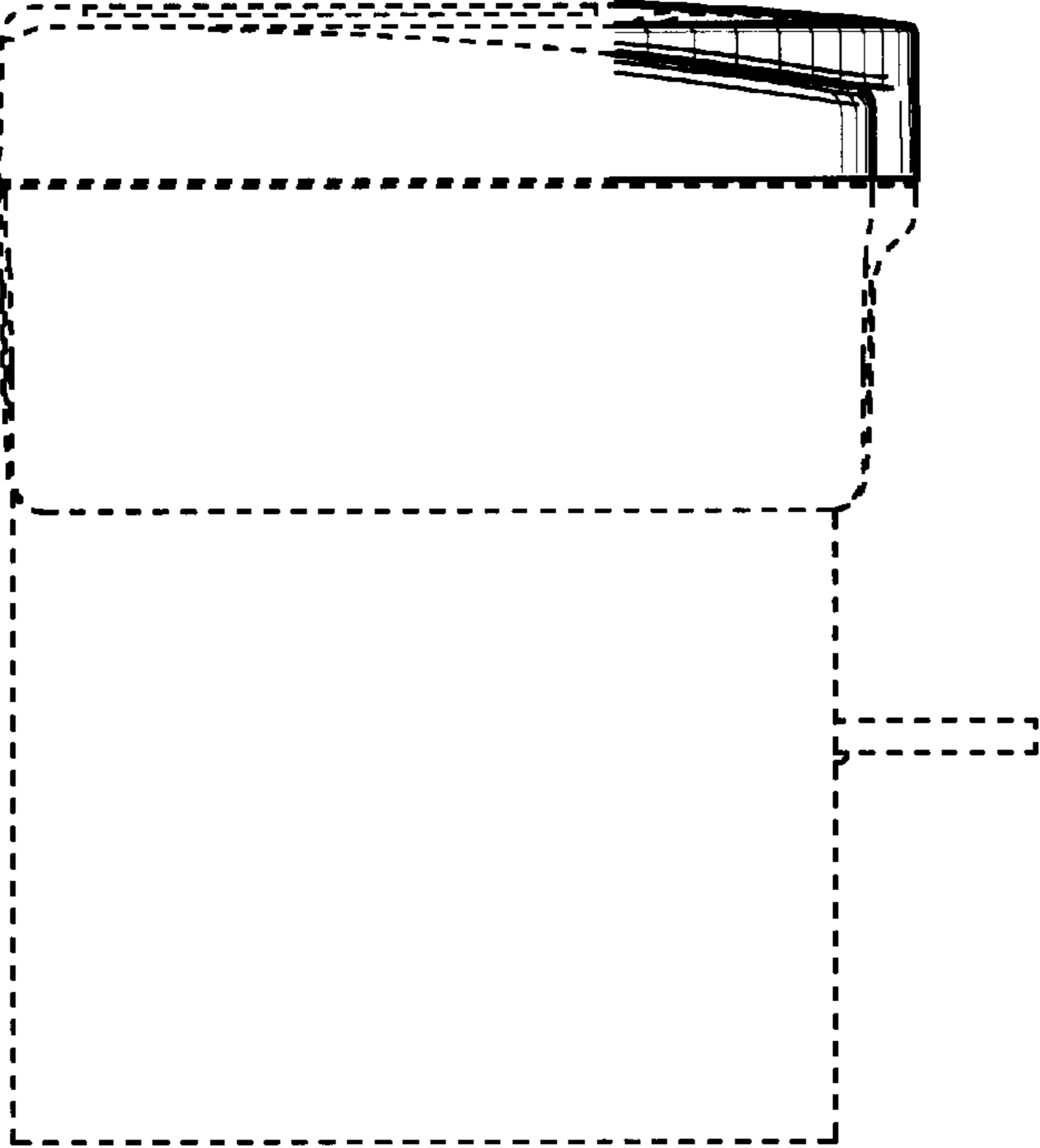
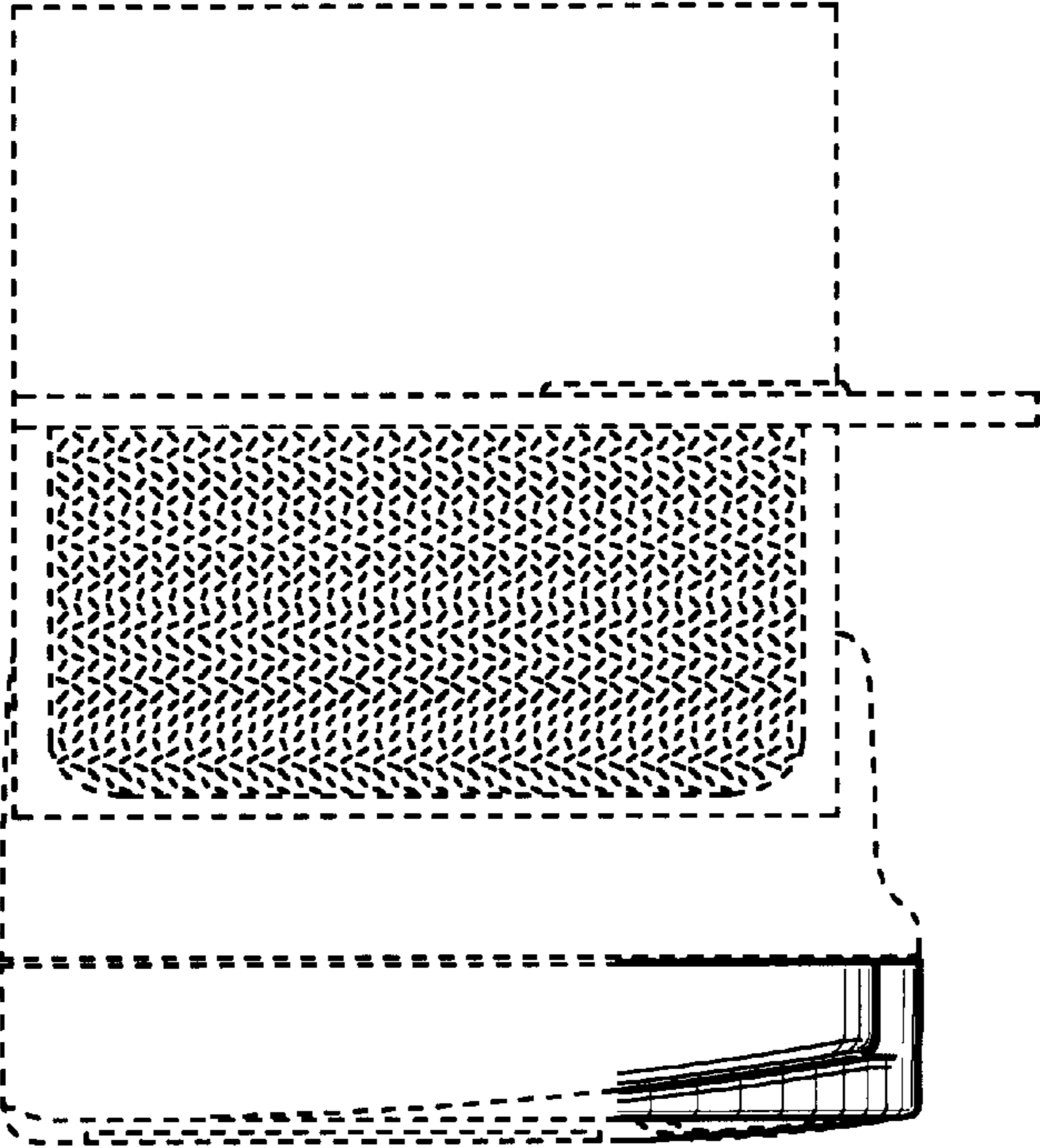


Fig. 5



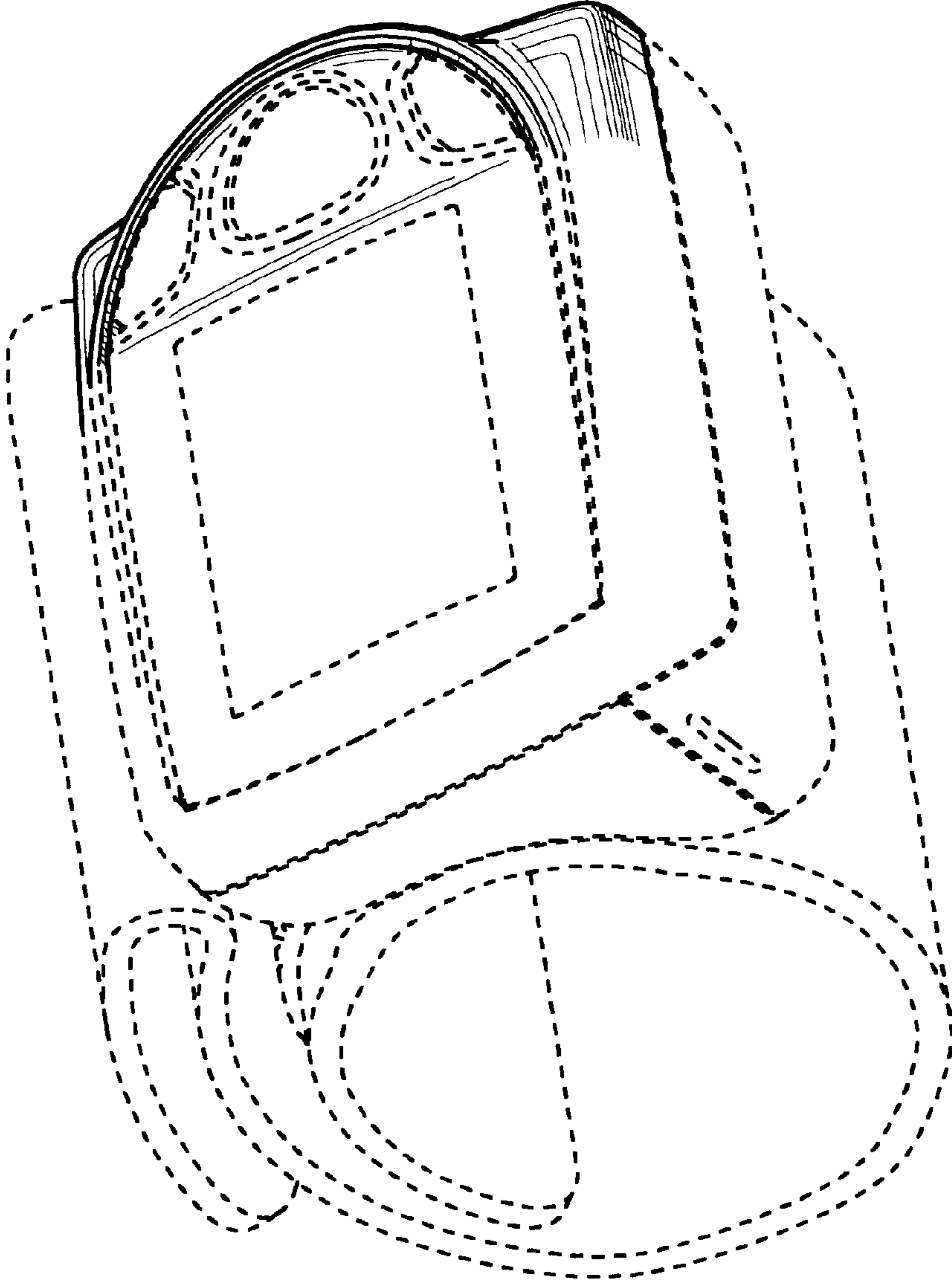


Fig. 7

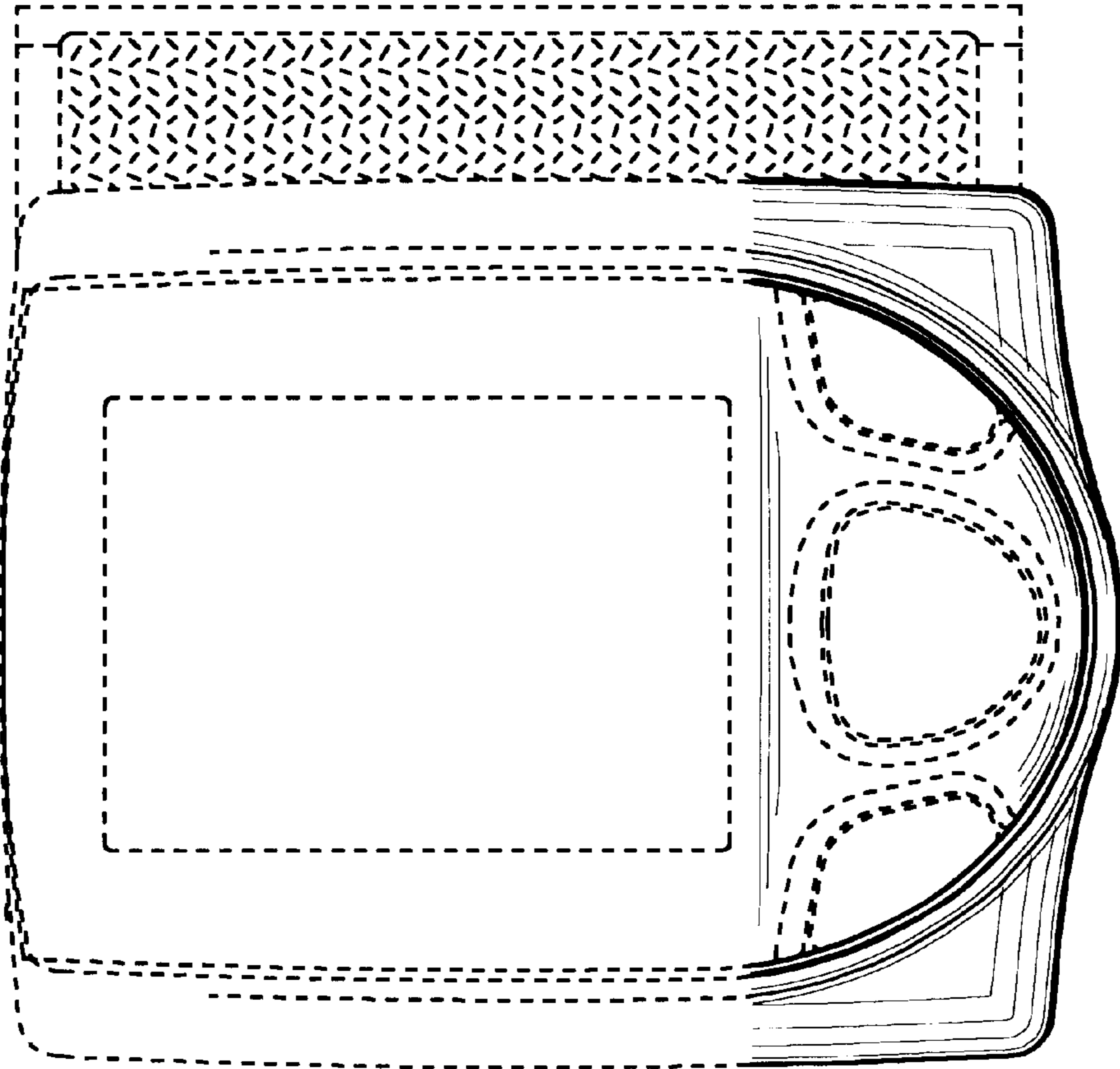


Fig. 8