

US00D515694S

(12) **United States Design Patent**
Frampton et al.

(10) **Patent No.: US D515,694 S**

(45) **Date of Patent: ** Feb. 21, 2006**

(54) **FAN BLADE**

(75) Inventors: **Thomas C. Frampton**, Zionsville, IN (US); **Keith R. Schoene**, Westfield, IN (US)

(73) Assignee: **Fanimation, Inc.**, Zionsville, IN (US)

(**) Term: **14 Years**

(21) Appl. No.: **29/220,891**

(22) Filed: **Jan. 7, 2005**

(51) **LOC (8) Cl.** **23-04**

(52) **U.S. Cl.** **D23/413**

(58) **Field of Classification Search** D23/377,
D23/379, 385, 411, 413; 416/5
See application file for complete search history.

(56) **References Cited**

U.S. PATENT DOCUMENTS

1,868,113 A	7/1932	Ljungstrom	
4,445,817 A	5/1984	Wethern	
5,261,788 A	* 11/1993	Kilburn	416/5
5,269,647 A	12/1993	Moser	
D355,027 S	1/1995	Young	

OTHER PUBLICATIONS

Page 48 of Feb. 2004 edition of Home Lighting & Accessories Magazine.

House, Kurt, "Antique Mechanical Fans", Three Rivers Publishing Company, San Antonio, Texas, Fourth Edition, Copyright 1999, p. 135.

2002 Fanimation, Inc. Catalog, Published at least as earlier as 2002, forty (40) pages.

* cited by examiner

Primary Examiner—Lisa Lichtenstein

(74) *Attorney, Agent, or Firm*—Maginot, Moore & Beck

(57) **CLAIM**

The ornamental design for a fan blade, as shown and described.

DESCRIPTION

FIG. 1 is a top perspective view of a fan blade showing our new design;

FIG. 2 is an enlarged bottom plan view showing the design for the fan blade of FIG. 1;

FIG. 3 is an enlarged top plan view showing the design for the fan blade of FIG. 1;

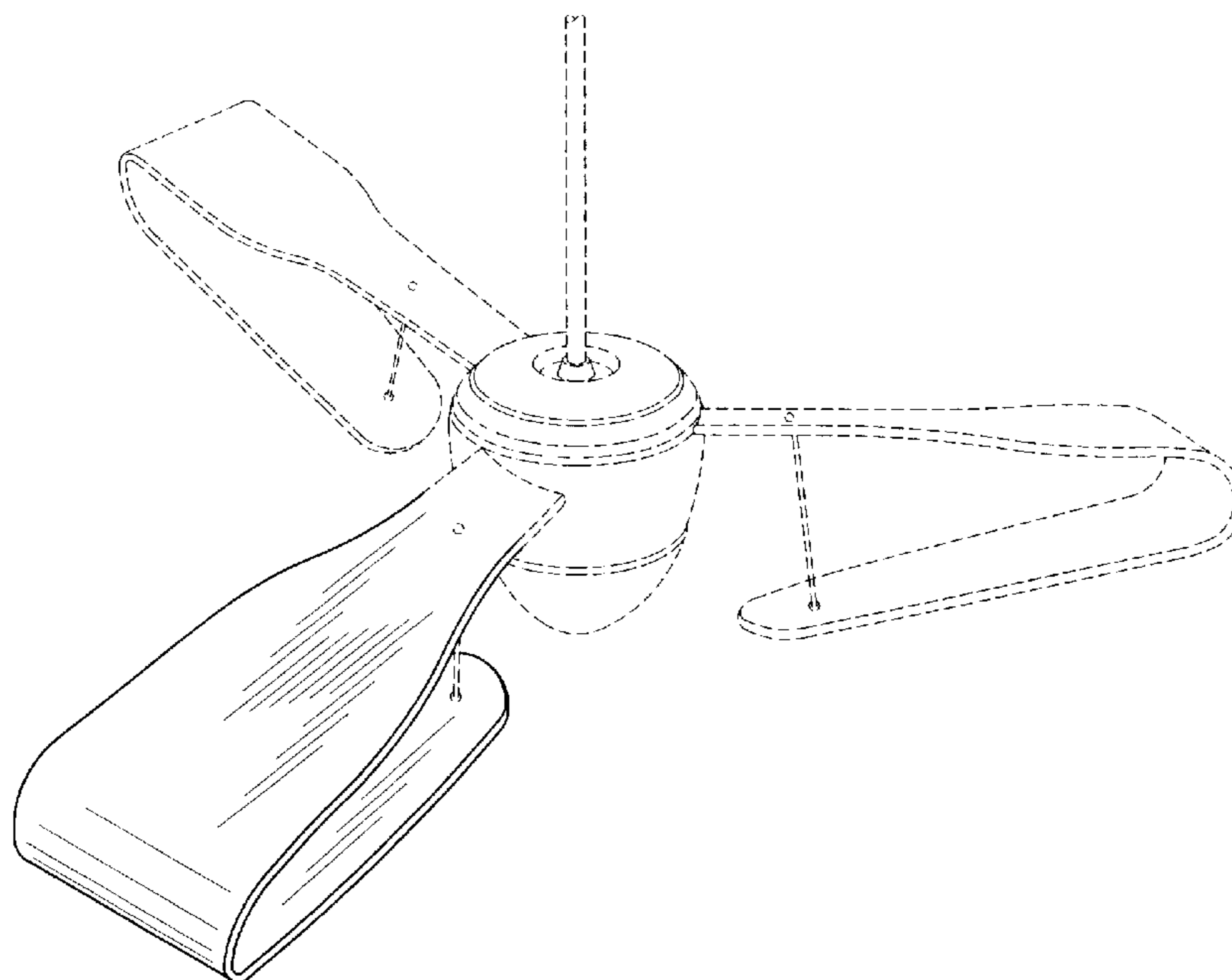
FIG. 4 is an enlarged left side elevational view showing the design for the fan blade of FIG. 1;

FIG. 5 is an enlarged rear elevational view showing the design for the fan blade of FIG. 1; and,

FIG. 6 is an enlarged front elevational view showing the design for the fan blade of FIG. 1.

In FIGS. 1–6, the broken line showing of various items including (i) the motor housing (FIG. 1), (ii) the central vertical support member extending upward from the motor housing (FIG. 1), (iii) the light cover located below the motor housing (FIG. 1), (iv) the other two fan blades that extend outwardly from the motor housing (FIG. 1), (v) the support rod interposed between the upper fan blade portion and the lower fan blade portion (FIGS. 1, 4, 5), and the associated fastener members (FIGS. 1–3 and 5–6), and (vi) a proximal end portion of the fan blade (FIGS. 1–6) is for illustrative purposes only and forms no part of the claimed design.

1 Claim, 4 Drawing Sheets



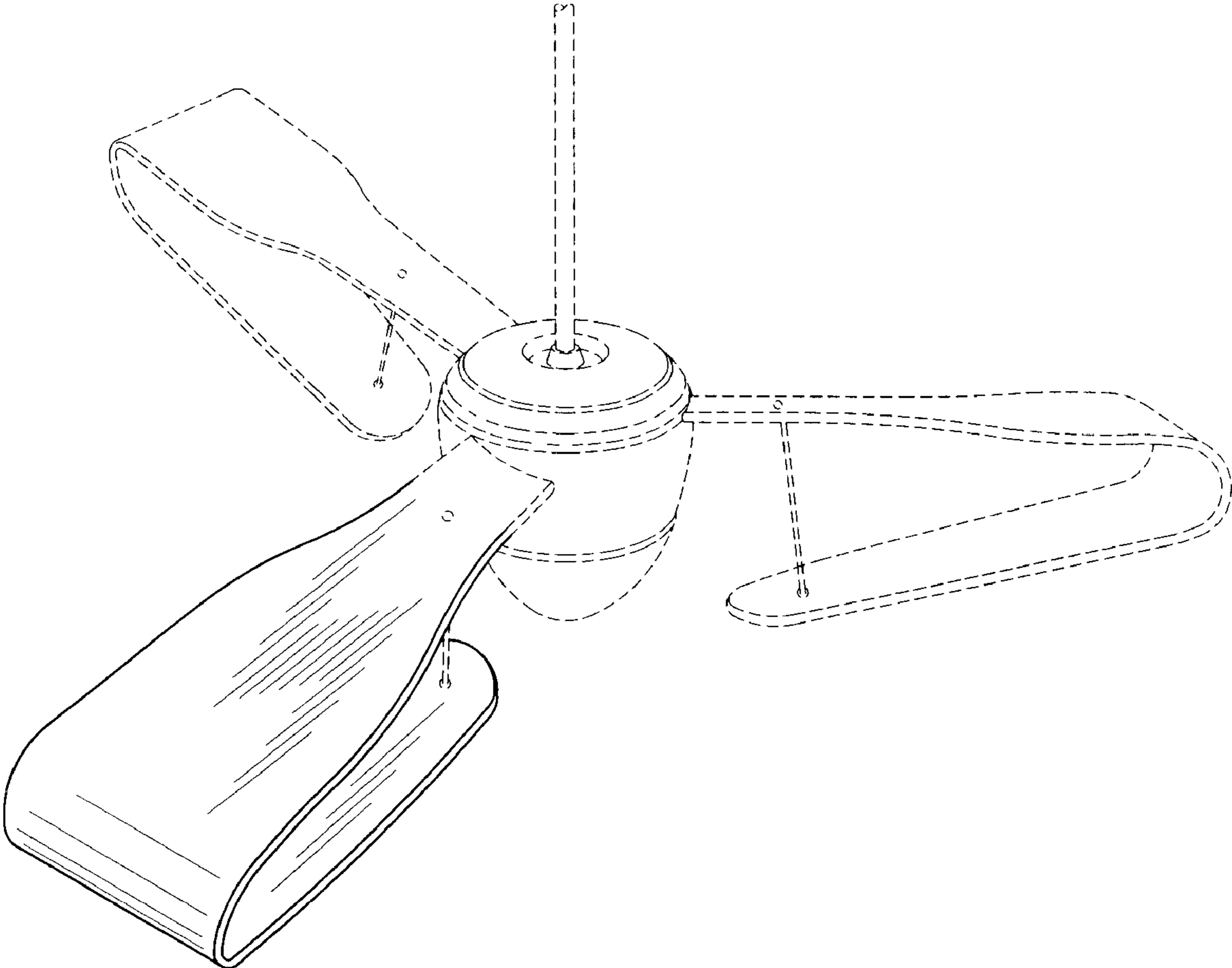


Fig. 1

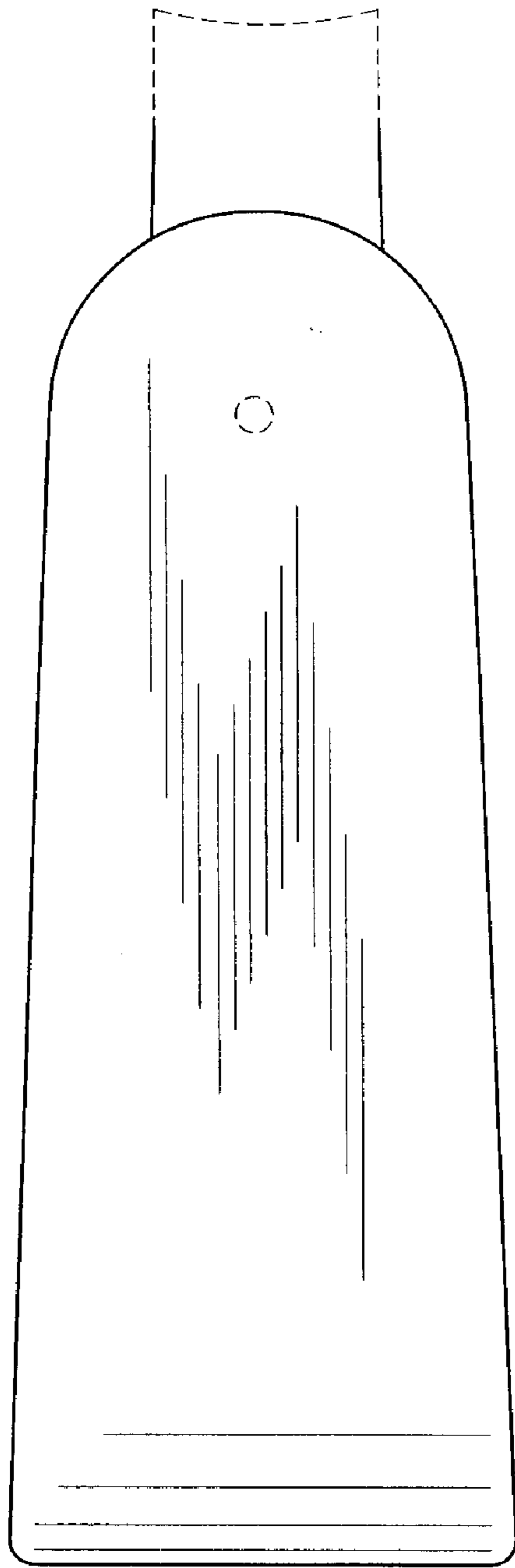


Fig. 2

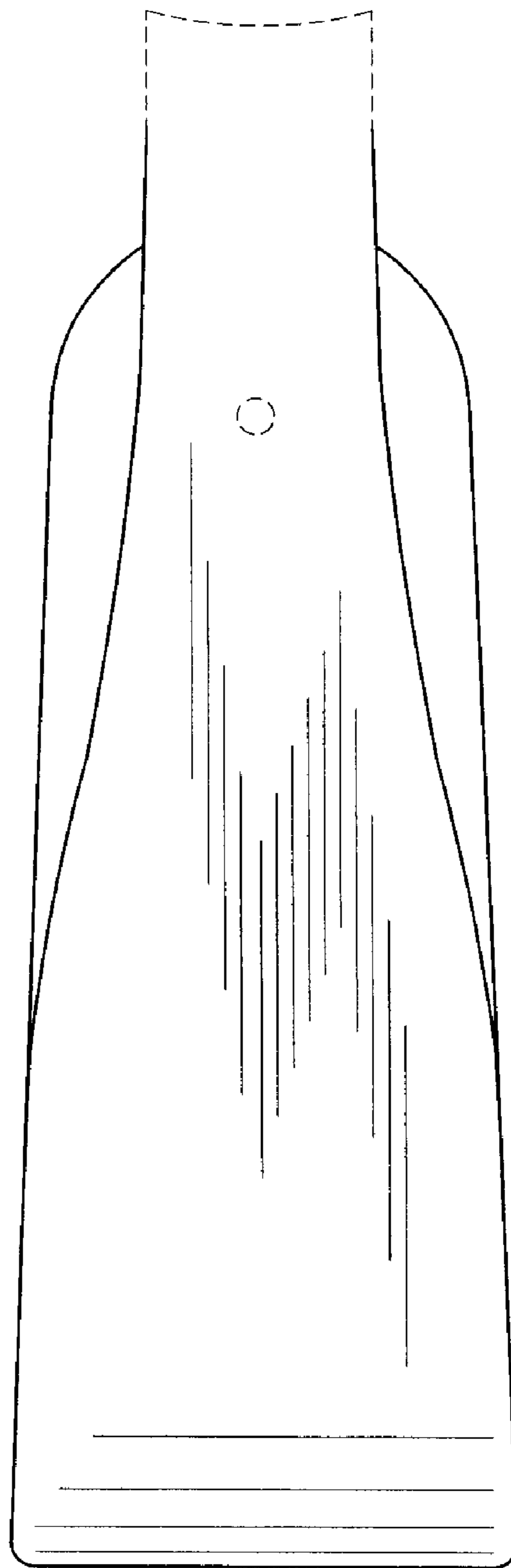


Fig. 3

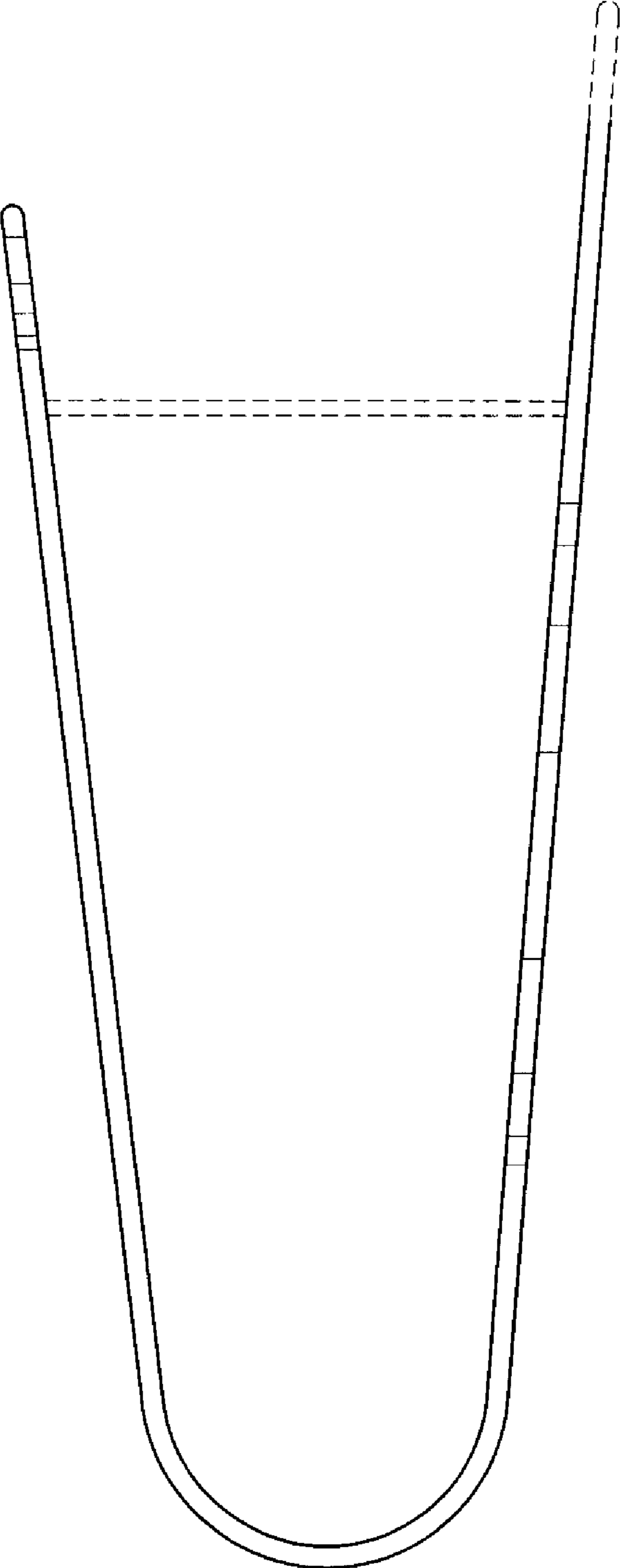


Fig. 4

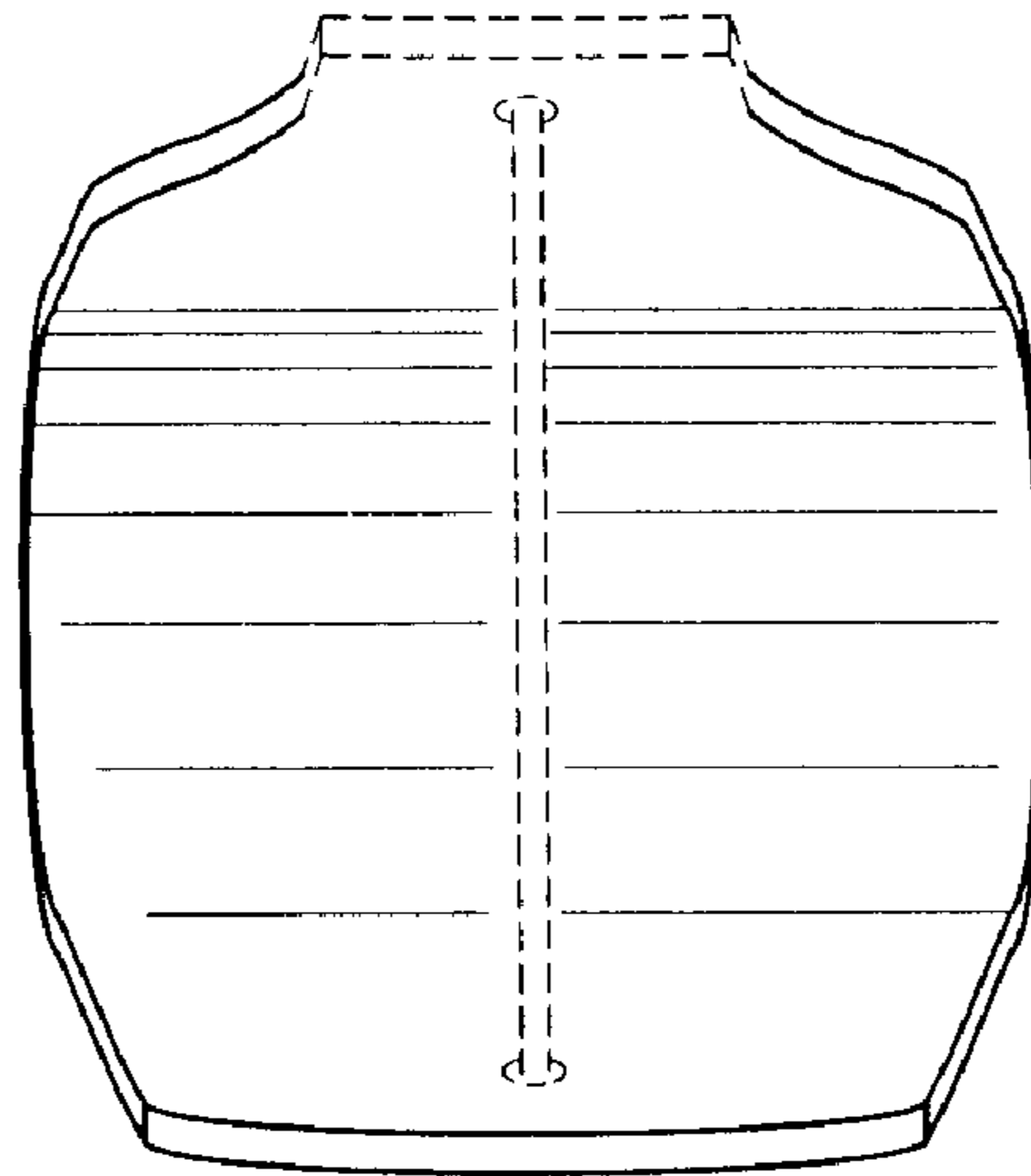


Fig. 5

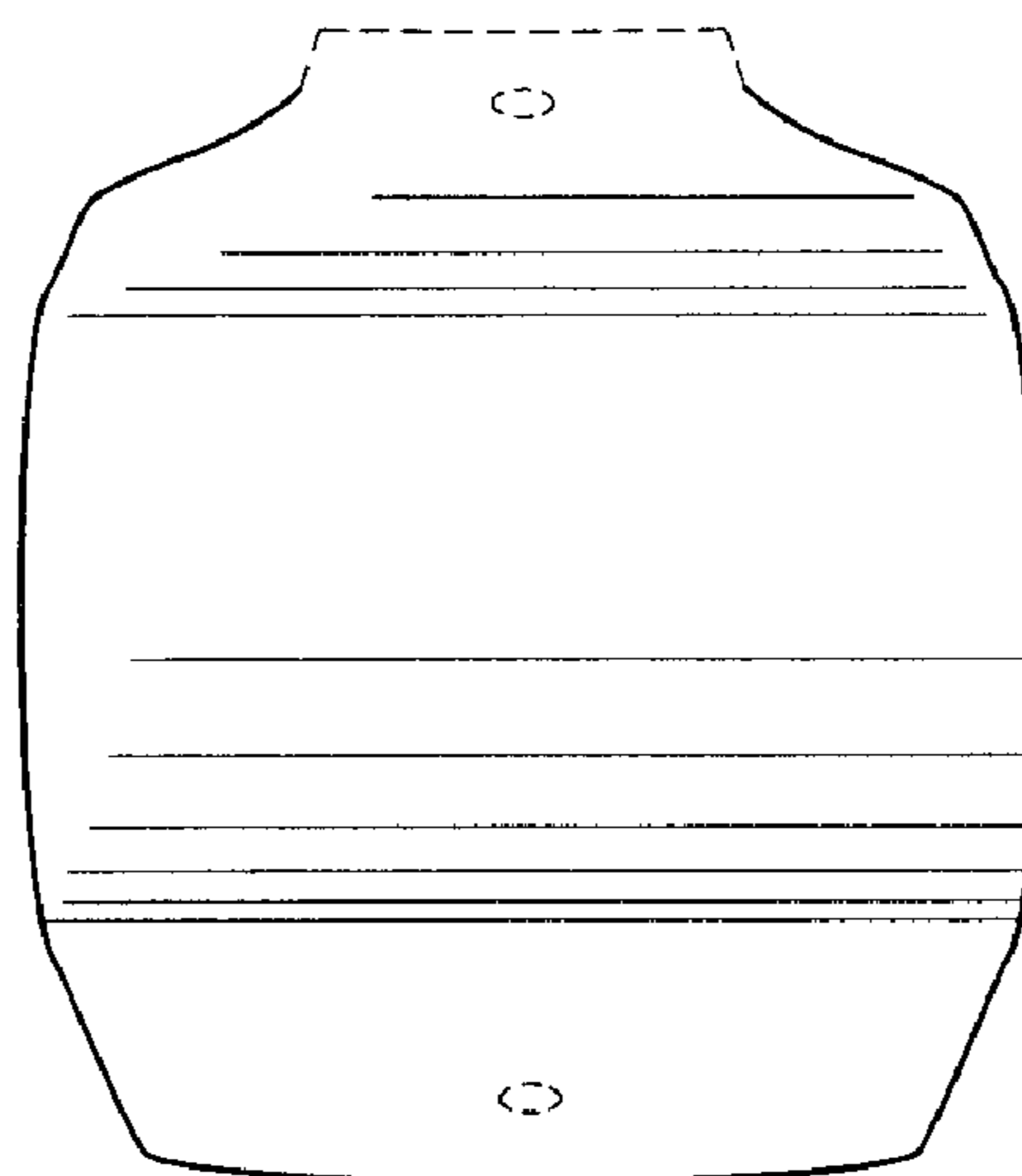


Fig. 6